

ASSEMBLY INSTRUCTIONS



Dining Chair

ASSEMBLY INSTRUCTIONS

ASSEMBLY TIPS:

1. Remove hardware from box and sort by size.
2. Please check to see that all hardware and parts are present prior to start of assembly.
3. Please follow attached instructions in the same sequence as numbered to assure fast & easy assembly.

⚠ Warning !!

1. Don't attempt to repair or modify parts that are broken or defective. Please contact the store immediately.
2. This product is for home use only and not intended for commercial establishment.

ASSEMBLY TIME

15 MINUTES

PARTS IDENTIFICATION

A CHAIR SEAT & BACK



1PC

C UPPER LEG FRAME



1PC

B LOWER LEG FRAME

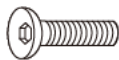


1PC

Z

HARDWARE IDENTIFICATION

1 BOLT (M6 x 30mm - BLK)



5PCS

2 WASHER (Ø6 x 20 x 2mm - BLK)



5PCS

3 ALLEN WRENCH (5mm - GD)



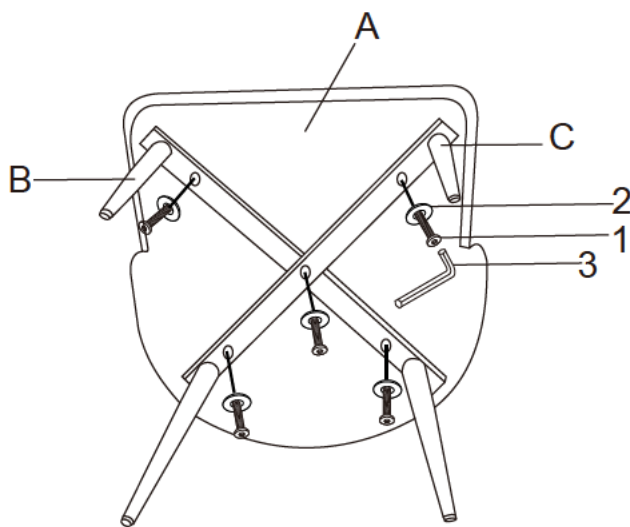
1PC

NOTE:

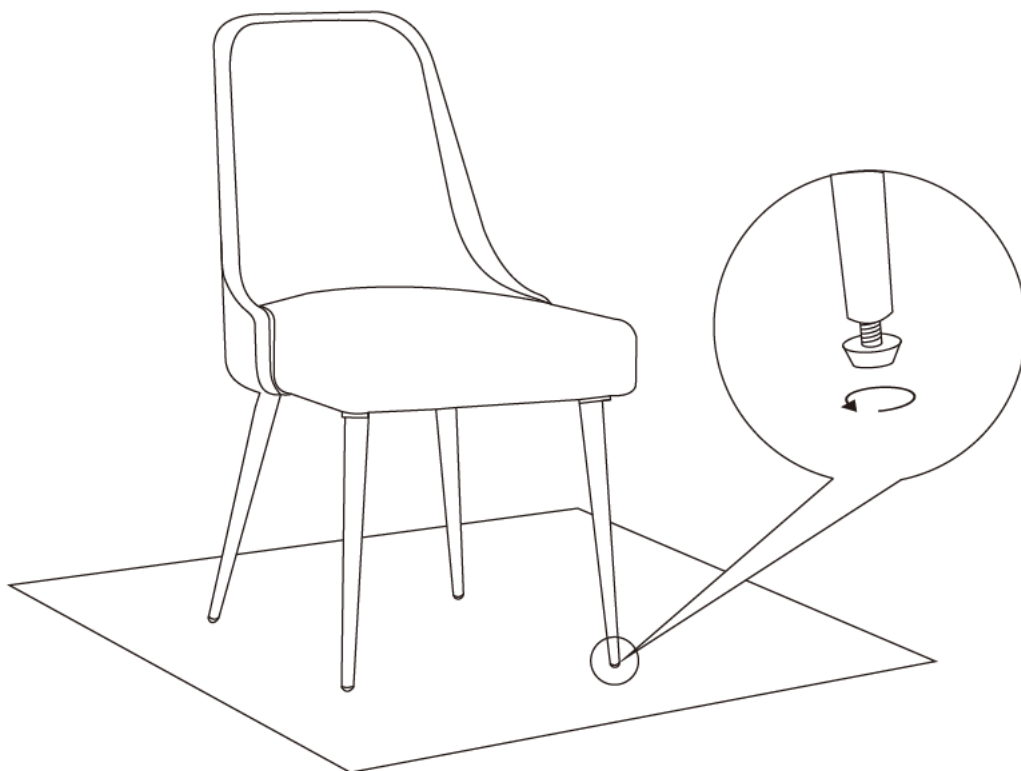
Quantities shown are for one chair.

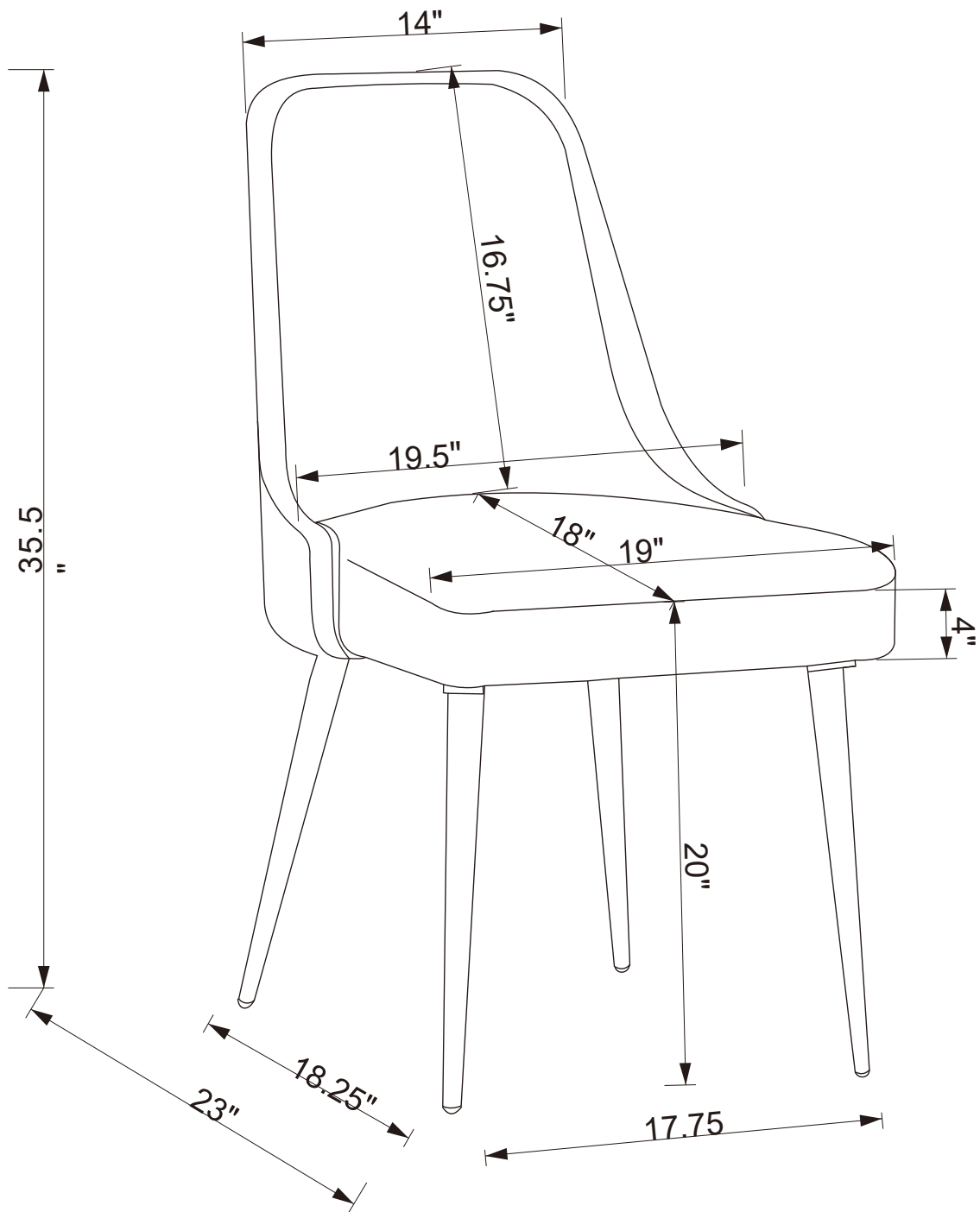
ASSEMBLY INSTRUCTIONS

STEP 1



STEP 2 COMPLETE





Note: Dimension tolerance $\pm 5\%$