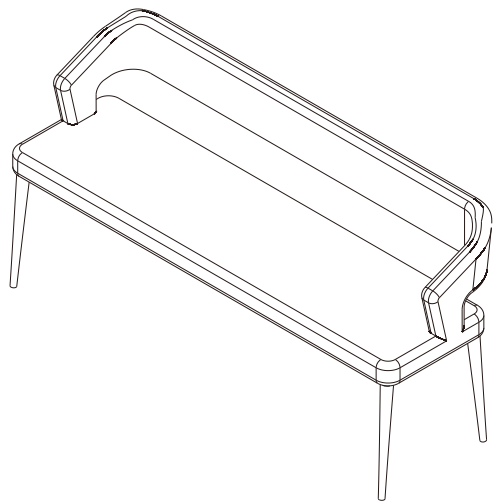


1

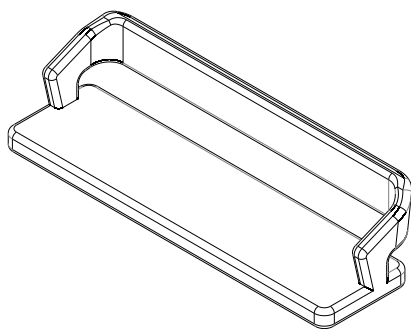


BENCH

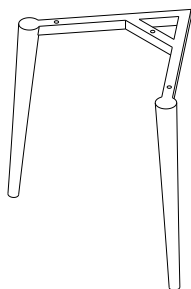
ASSEMBLY INSTRUCTION

- Upside down the seat on a soft surface.
- Attach the legs to the bottom of seat by screw, lock washer, tighten with Allen key.

A
x1



B
x2

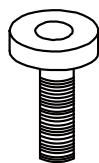


1



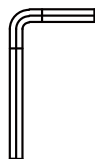
6PCS

2



6PCS

3



1PC

2

