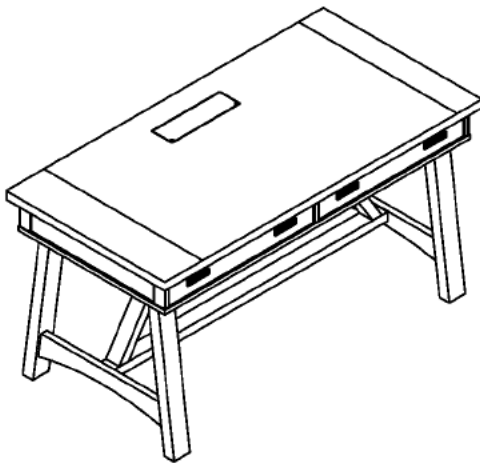
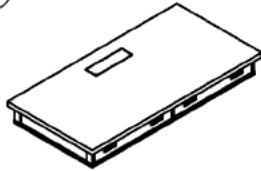
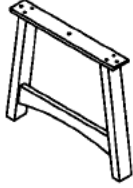
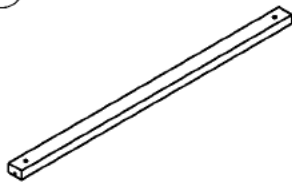



Assembly Instruction





Description: 60" WRITING DESK



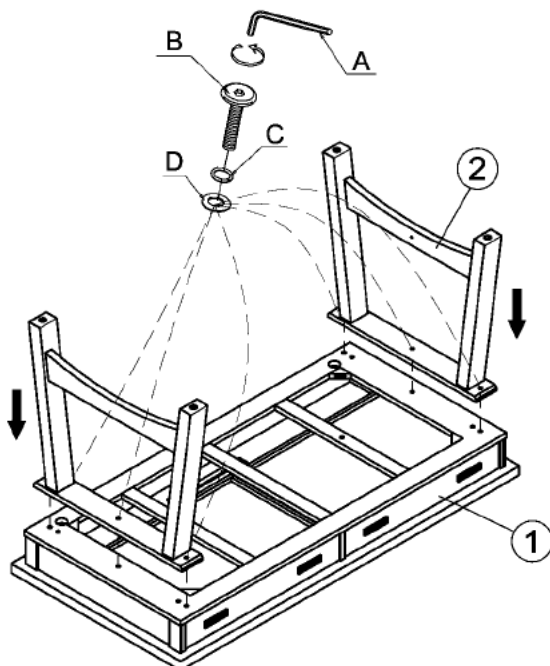
PARTS LIST:

①		②	
TABLE TOP : 1PC		FRAME LEG: 2PCS	
③		④	
STRETCHER : 1PC		CENTER POST: 2PCS	

HARDWARE LIST

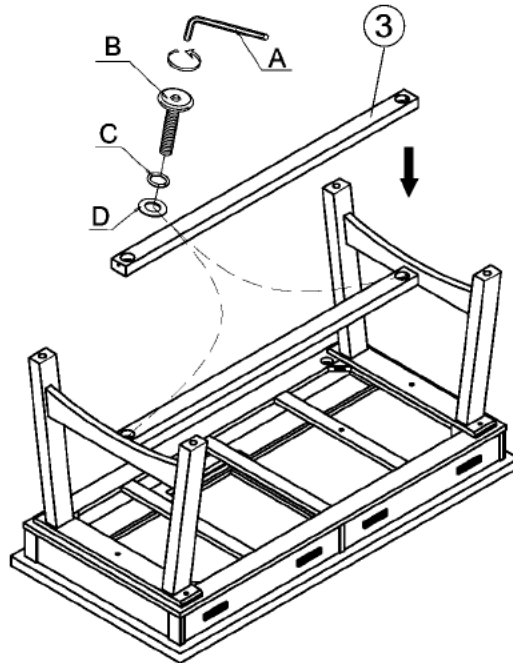
NO.	Drawing	Description	
A		Allen wrench (5mm)	1pc
B		Bolt Ø5/16"x1-1/2	12pcs
C		Spring washer (Ø5/16")	12pcs
D		Flat washer (Ø5/16"x19mm)	12pcs

STEP1

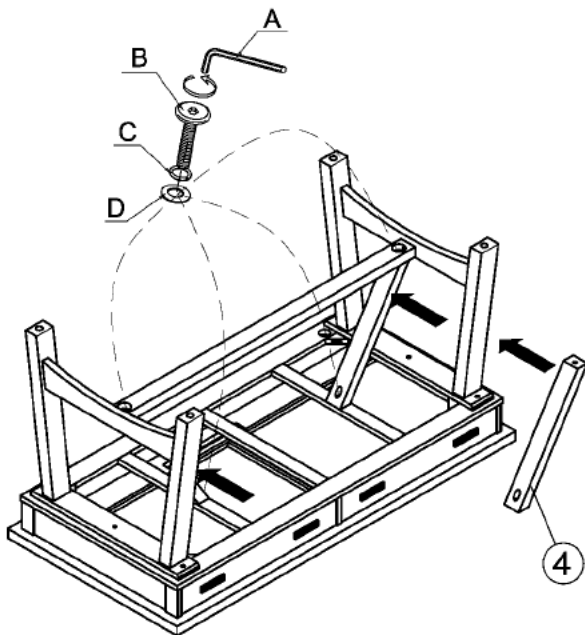


Description: 60" WRITING DESK

STEP 2



STEP 3



STEP 4

