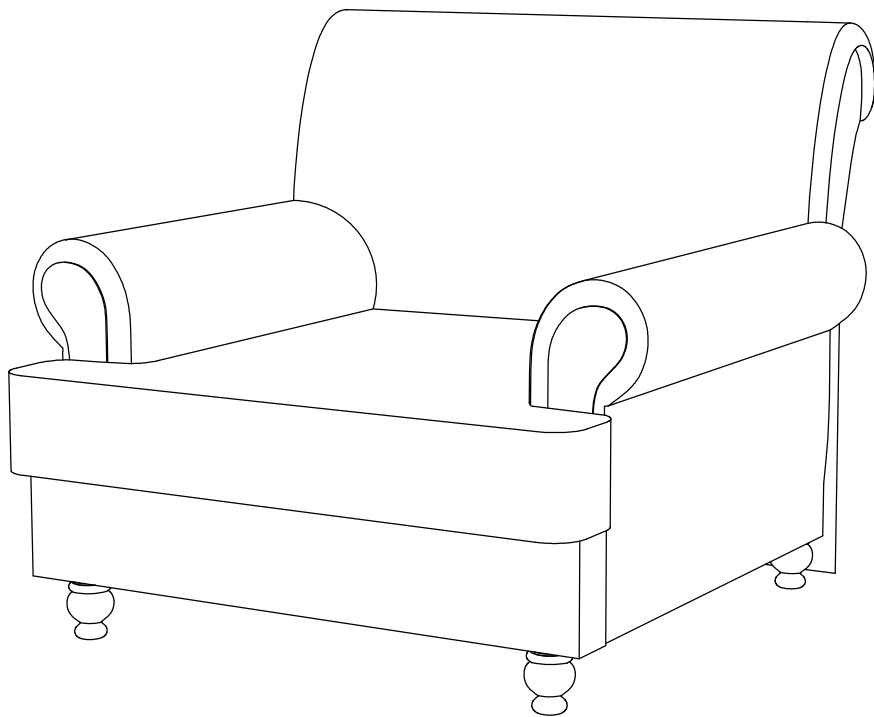




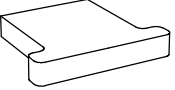

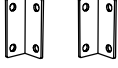


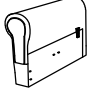
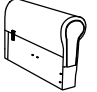
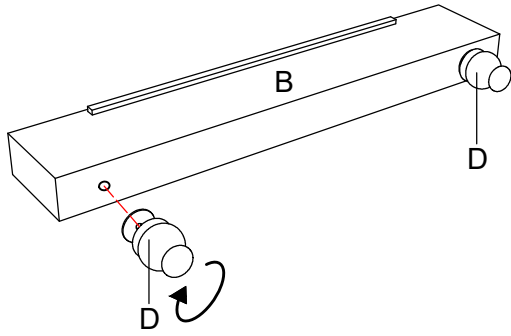


ACCENT CHAIR
ASSEMBLY
INSTRUCTIONS

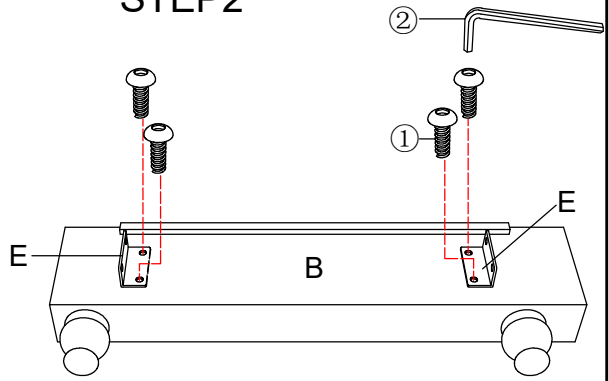


CARTON	ID	PARTS IDENTIFICATION	QTY	ID	HARDWARE PACKAGE	QTY
	A	BACK 	1PC	①	 SCREWS	12PCS
	B	FRONT PANEL 	1PC	②	 HEXAGON CROSS WRENCH	1PC
	C	SEAT CUSHION 	1PCS			
	D	SOFA LEGS 	4PCS			
	E	ANGLE IRON 	2PCS			
	F	MID-RAIL 	1PC			
	G	SEAT CUSHION BOTTOM PLATE 	1PC			
ARM	H	LEFT ARM 	1PC			
	I	RIGHT ARM 	1PC			

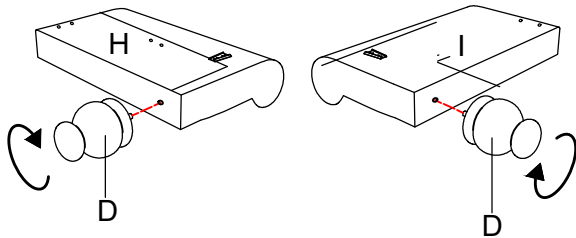
STEP1



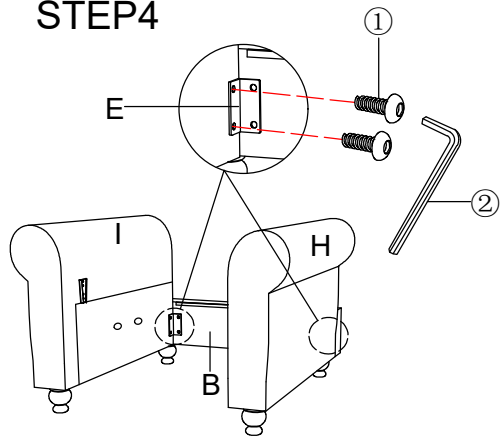
STEP2



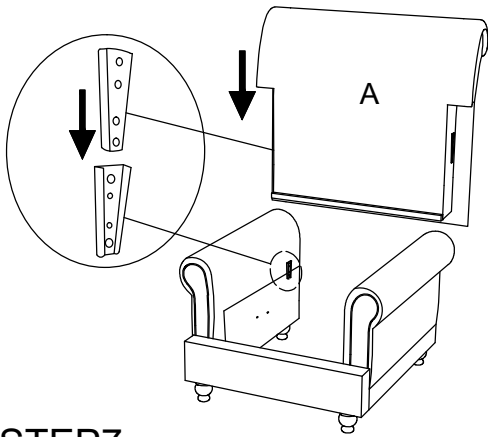
STEP3



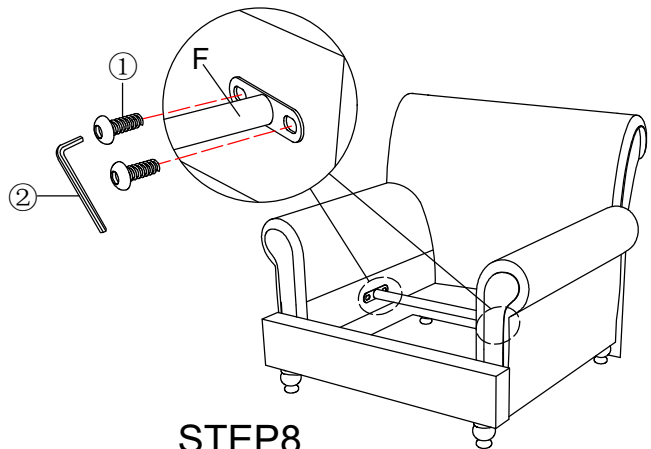
STEP4



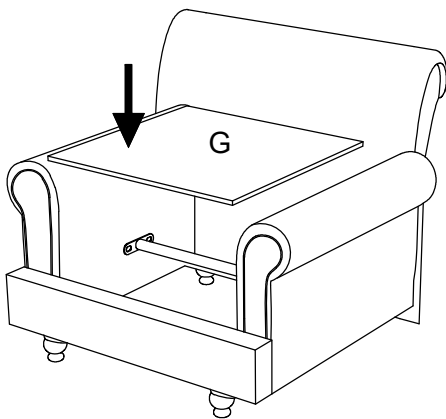
STEP5



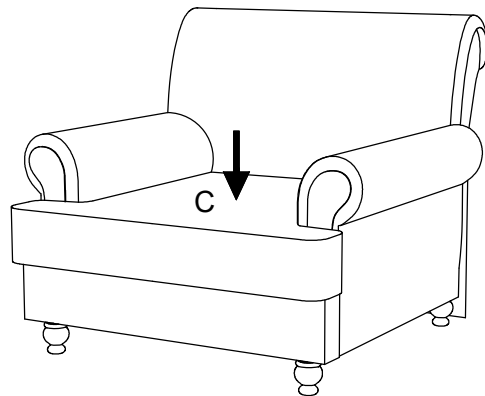
STEP6



STEP7



STEP8



ASSEMBLY INSTRUCTIONS

ASSEMBLY TIPS

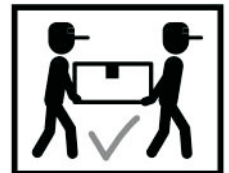
1. Remove hardware from box and sort by size.
2. Please check to see that all hardware and parts are present prior to start of assembly.
3. Please follow attached instructions in the same sequence as numbered to assure fast & easy assembly.



WARNING!

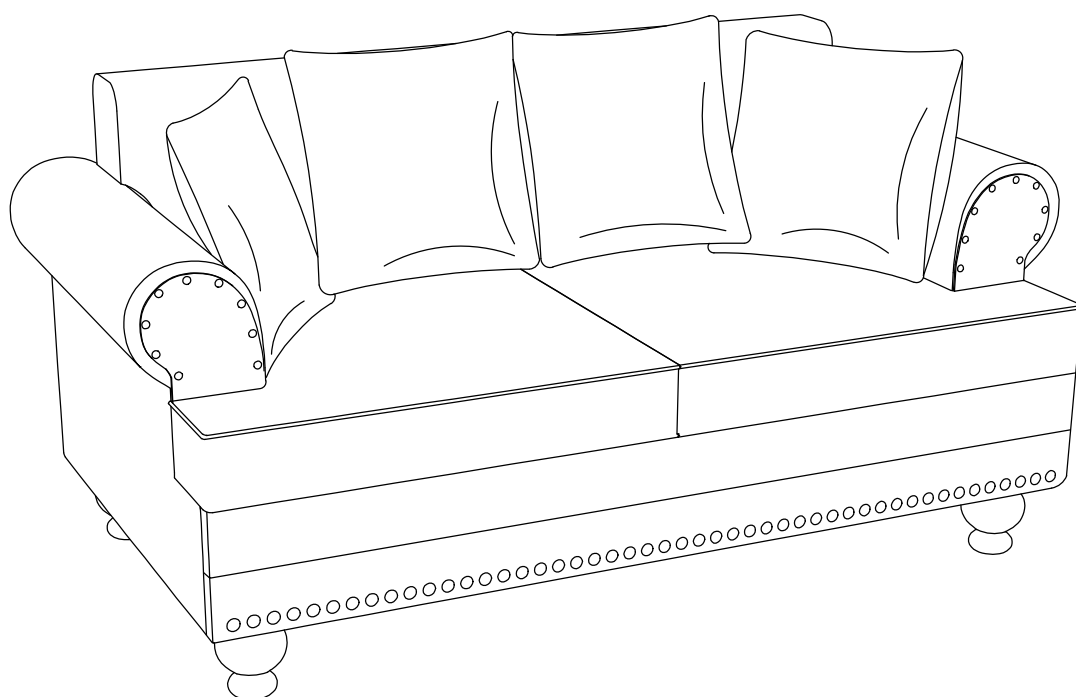
1. Don't attempt to repair or modify parts that are broken or defective. Please contact the store immediately.
2. This product is for home use only and not intended for commercial establishments.

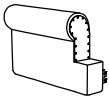

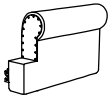



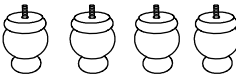


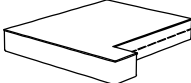

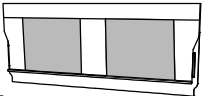




ASSEMBLY TIME: 20 MINUTES



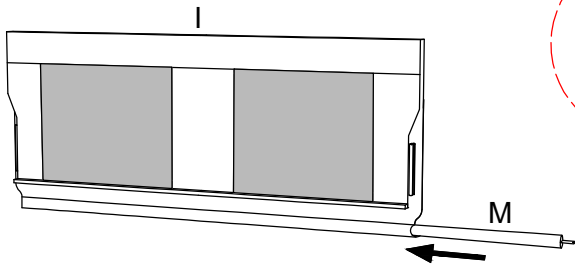
LOVESEAT

ASSEMBLY INSTRUCTIONS

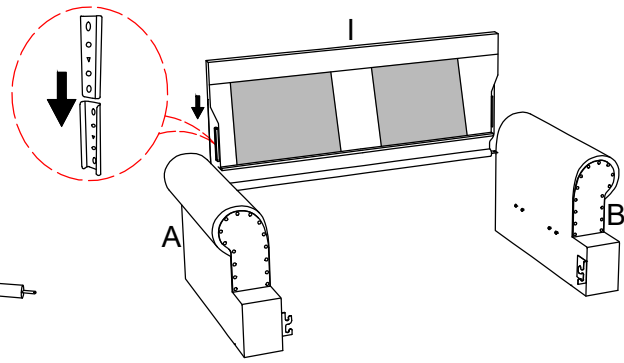


CARTON	ID	PARTS IDENTIFICATION	QTY	ID	HARDWARE PACKAGE	QTY
ARM	A	LEFT ARM 	1PC	①	 SELF TAPPING SCREWS	2PCS
	B	RIGHT ARM 	1PC	②	 SCREW WASHERS	2PCS
	C	PILLOWS 	4PCS	③	 HEXAGON CROSS WRENCH	1PC
	D	SOFA LEGS 	4PCS			
	E	PLASTIC WASHERS 	4PCS			
	F	LEFT SEAT CUSHION 	1PC			
	G	RIGHT SEAT CUSHION 	1PC			
	H	SEAT CUSHION BOTTOM PLATE 	2PCS			
	I	BACK FRAME 	1PC			
	J	FRONT PANEL 	1PC			
	K	BACK CUSHION 	2PCS			
	L	IRON SUPPORT ROD 	2PCS			
	M	REAR SUPPORT BRACKET 	1PC			

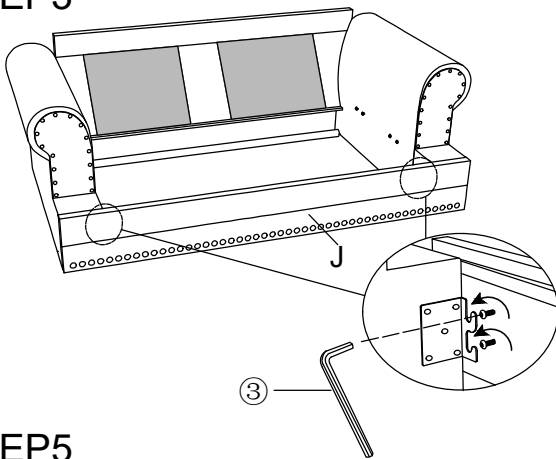
STEP1



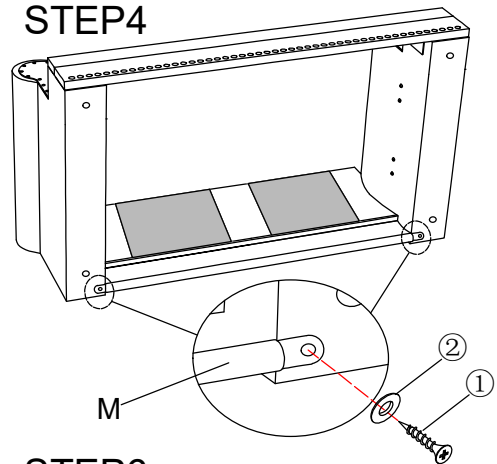
STEP2



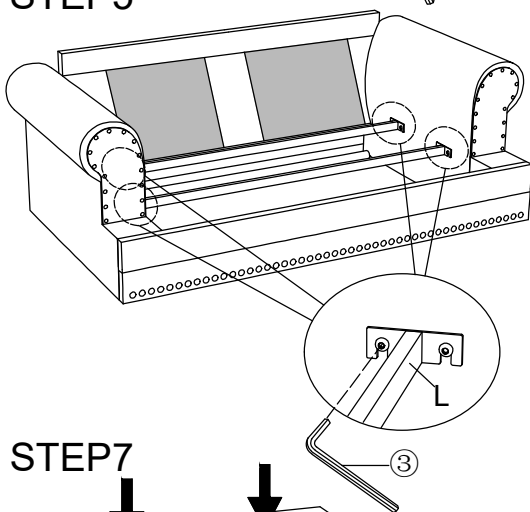
STEP3



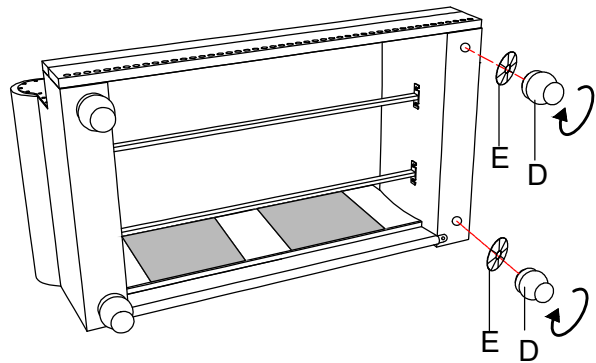
STEP4



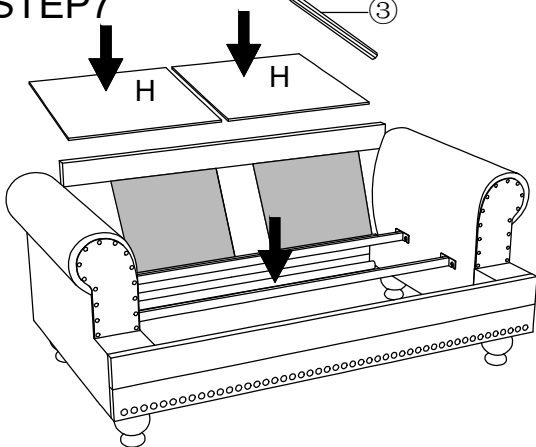
STEP5



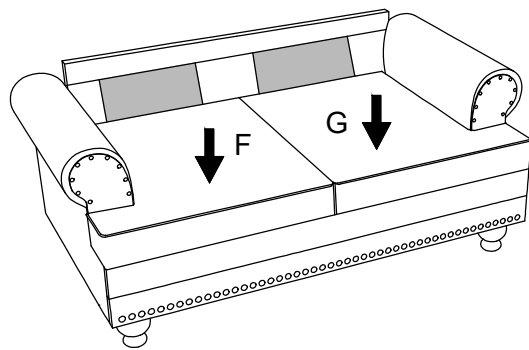
STEP6



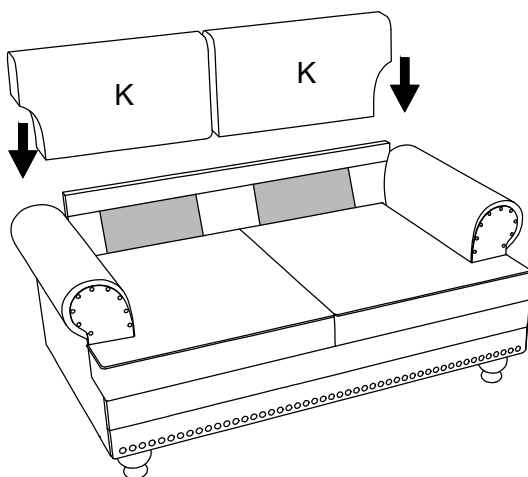
STEP7



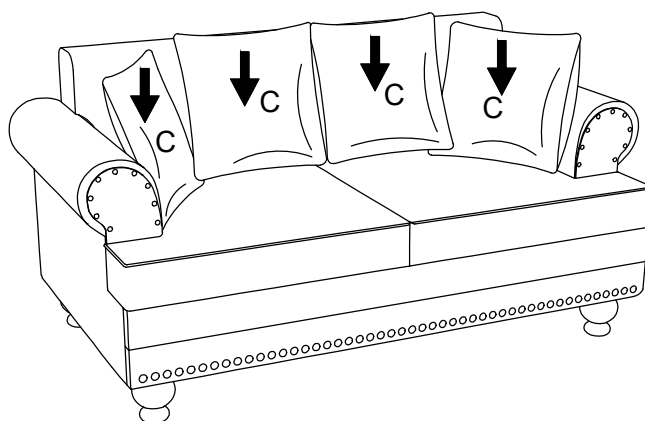
STEP8



STEP9



STEP10



ASSEMBLY INSTRUCTIONS

ASSEMBLY TIPS

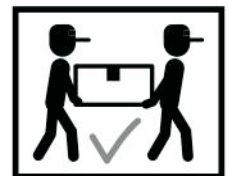
1. Remove hardware from box and sort by size.
2. Please check to see that all hardware and parts are present prior to start of assembly.
3. Please follow attached instructions in the same sequence as numbered to assure fast & easy assembly.



WARNING!

1. Don't attempt to repair or modify parts that are broken or defective. Please contact the store immediately.
2. This product is for home use only and not intended for commercial establishments.

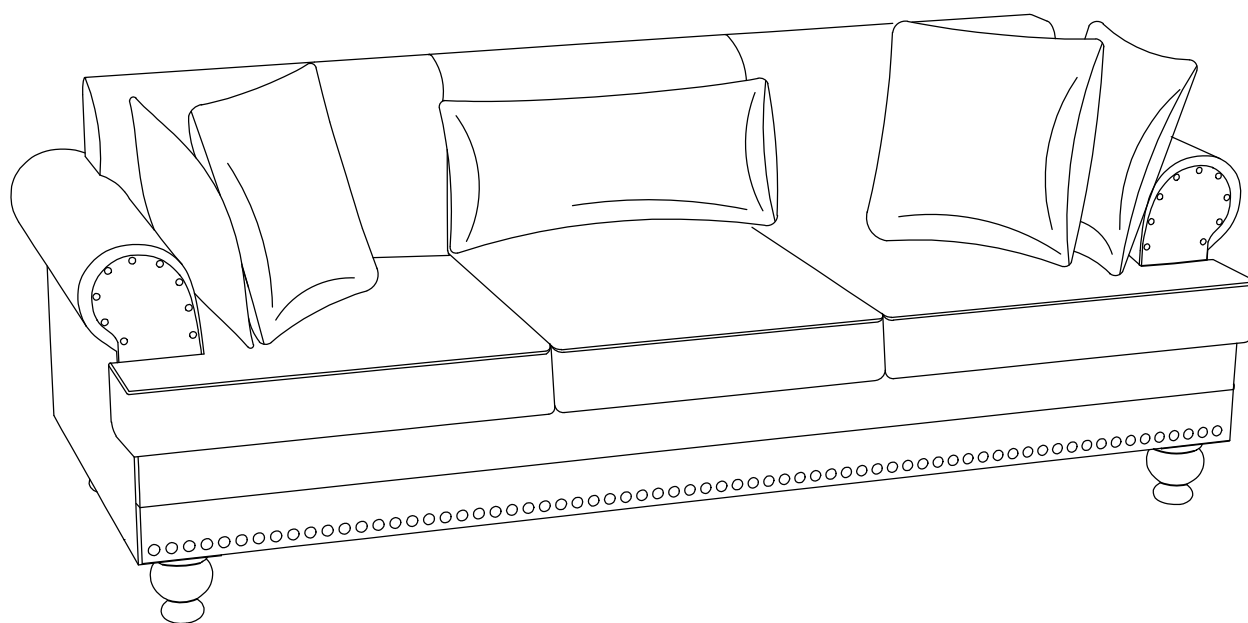
ASSEMBLY TIME: 20 MINUTES

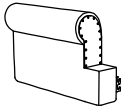

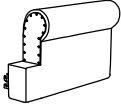



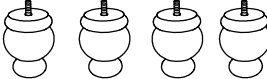

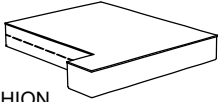

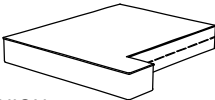
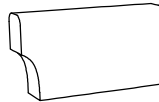
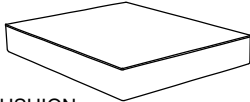


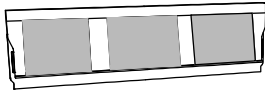
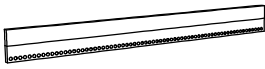
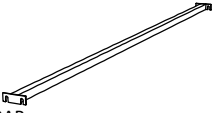



SOFA

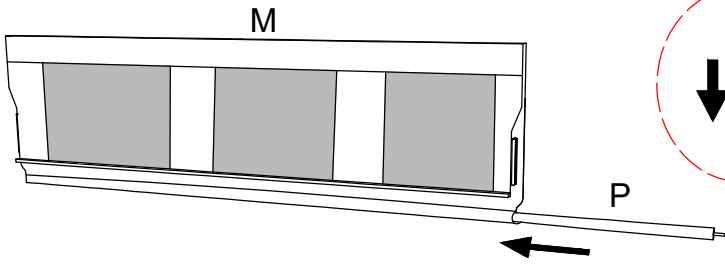
ASSEMBLY

INSTRUCTIONS

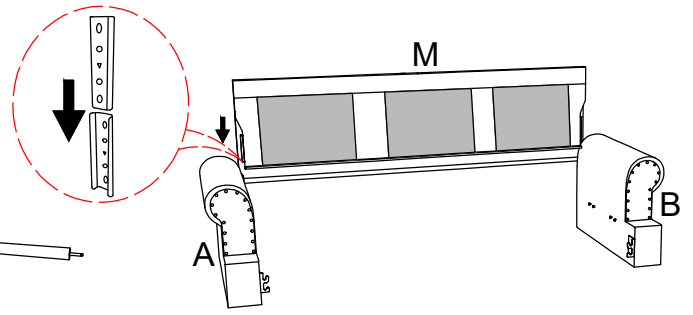


CARTON	ID	PARTS IDENTIFICATION	QTY	ID	HARDWARE PACKAGE	QTY
	A	LEFT ARM 	1PC	①	SELF TAPPING SCREWS 	2PCS
	B	RIGHT ARM 	1PC	②	SCREW WASHERS 	2PCS
	C	PILLOWS 	4PCS	③	HEXAGON CROSS WRENCH 	1PC
	D	SOFA LEGS 	4PCS			
	E	PLASTIC WASHERS 	4PCS			
	F	LEFT SEAT CUSHION 	1PC	J	LUMBAR PILLOW 	1PC
	G	RIGHT SEAT CUSHION 	1PC	K	SIDE BACK CUSHIONS 	2PCS
	H	MIDDLE SEAT CUSHION 	1PC	L	MIDDLE BACK CUSHION 	1PC
	I	SEAT CUSHION BOTTOM PLATE 	3PCS			
M	BACK FRAME 	1PC				
N	FRONT PANEL 	1PC				
O	SEAT SUPPORT BAR 	2PCS				
	P	REAR SUPPORT BRACKET 	1PC			

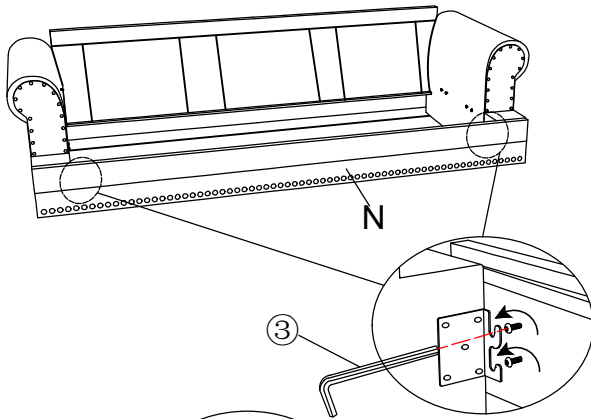
STEP1



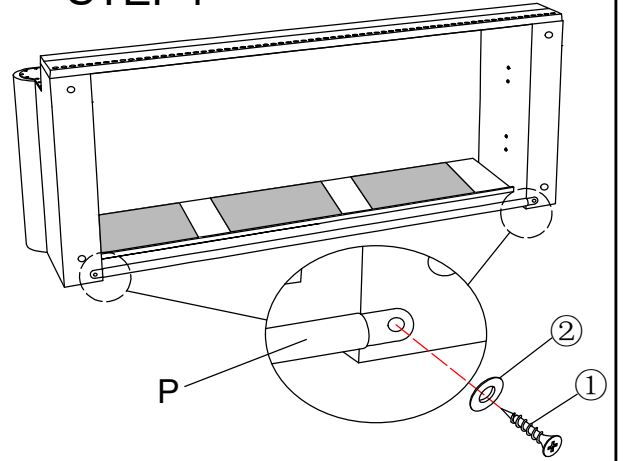
STEP2



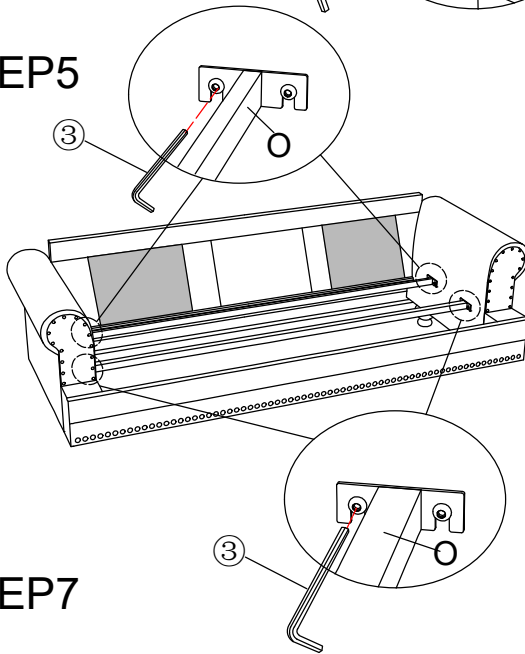
STEP3



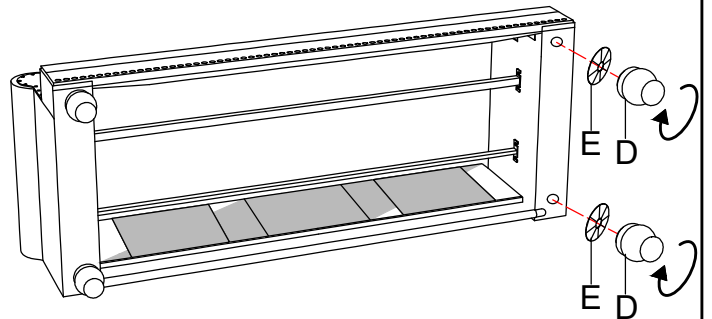
STEP4



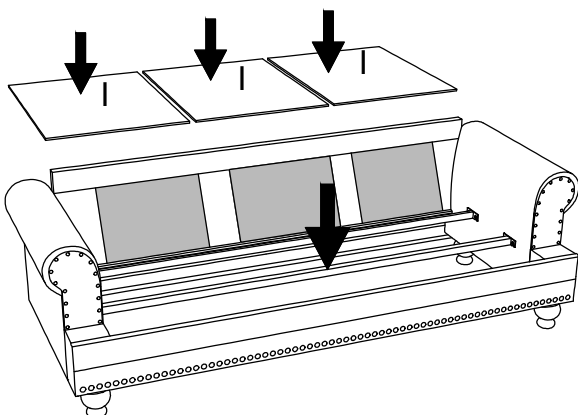
STEP5



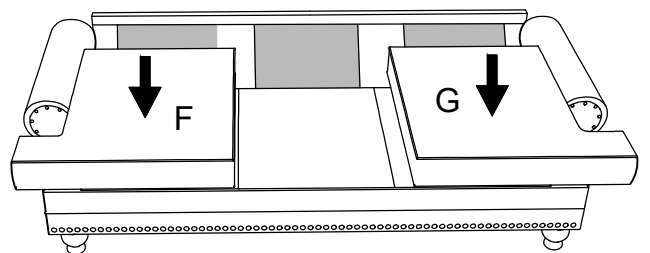
STEP6



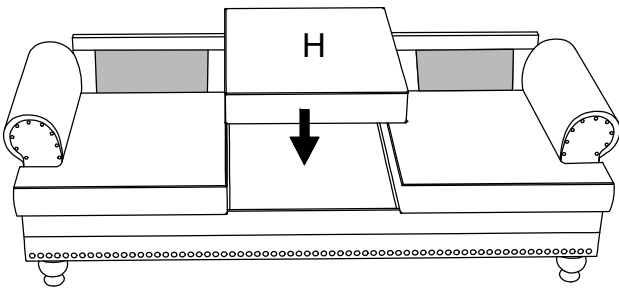
STEP7



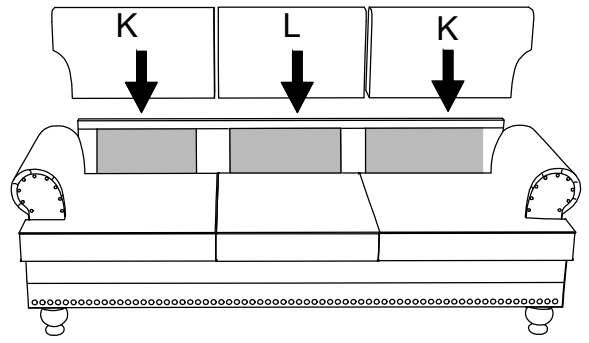
STEP8



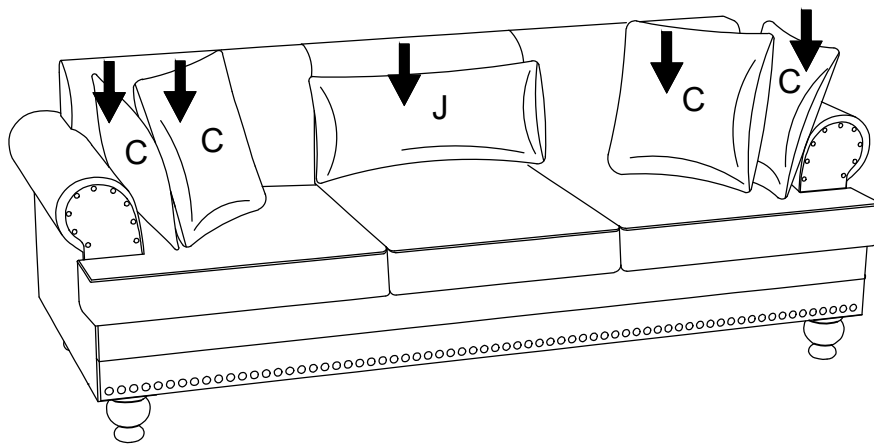
STEP9



STEP10



STEP11



ITEM:LX03-3 SOFA

ASSEMBLY INSTRUCTIONS

ASSEMBLY TIPS

1. Remove hardware from box and sort by size.
2. Please check to see that all hardware and parts are present prior to start of assembly.
3. Please follow attached instructions in the same sequence as numbered to assure fast & easy assembly.



WARNING!

1. Don't attempt to repair or modify parts that are broken or defective. Please contact the store immediately.
2. This product is for home use only and not intended for commercial establishments.

ASSEMBLY TIME: 20 MINUTES

