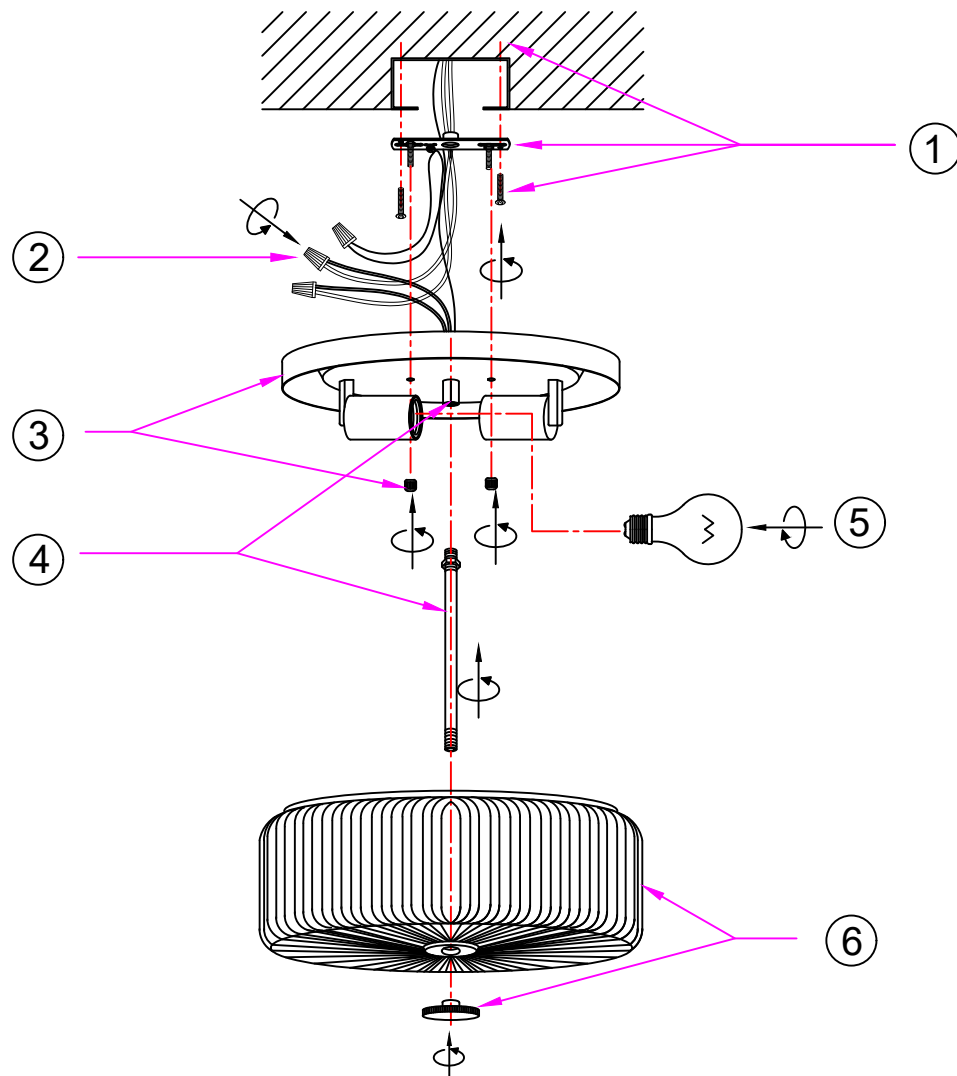


# Assembly & Installation Instructions



## PREPARATION before INSTALLATION:

1. If an existing fixture is being replaced, remove it and note to which wire in the outlet box the original fixture was attached.
2. Before discarding the carton, double-check the packaging to make sure all parts have been found.
3. This fixture was designed to be mounted on an octagon outlet box. The box must be securely mounted to the structure of the building.

## IMPORTANT:

1. **WARNING** - Disconnect power before relamping or wiring the fixture. Turn off the entire electrical circuit to which the lighting fixture is attached.
2. Installation and maintenance of this fixture should be completed by a licensed electrician.
3. Failure to install the fixture correctly could result in serious injury or death.
4. Read all instructions before starting installation.

## INSTALLATION STEPS:

1. Secure the mounting plate to the junction box using the screws.
2. Connect the supply wires to the fixture wires using wire connectors: black to black (hot), white to white (neutral), and green or bare copper to ground. Ensure no bare wires are exposed during wiring.
3. Secure the ceiling plate to the mounting plate using the nuts.
4. Screw the threaded pipe into the center of the ceiling plate, adjust the length and tighten the nut.
5. Install the bulbs (not included).
6. Insert the threaded pipe through the glass shade, then secure it with the decorative nut at the bottom.
7. Turn on the power and check if the bulbs are functioning properly.