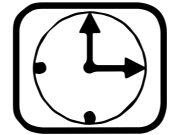


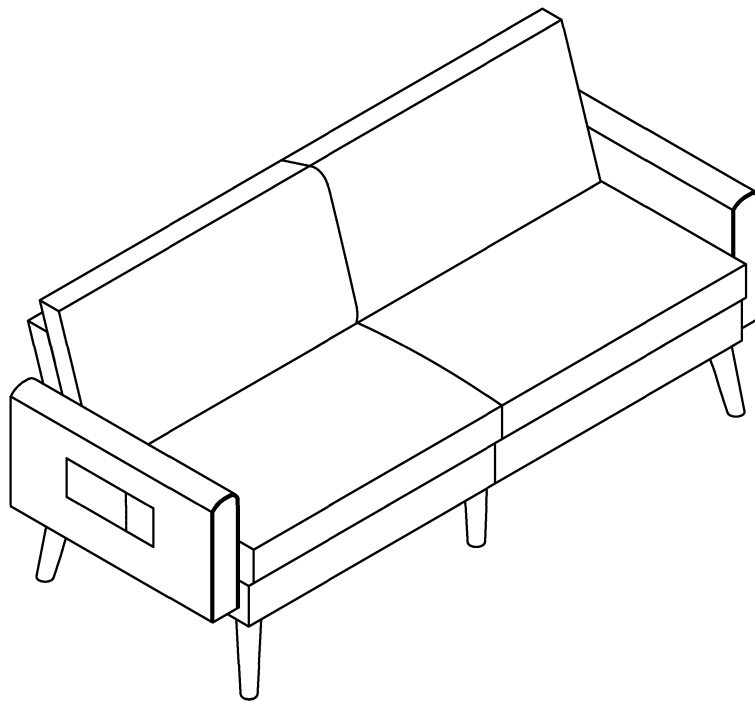
# Assembly Instruction

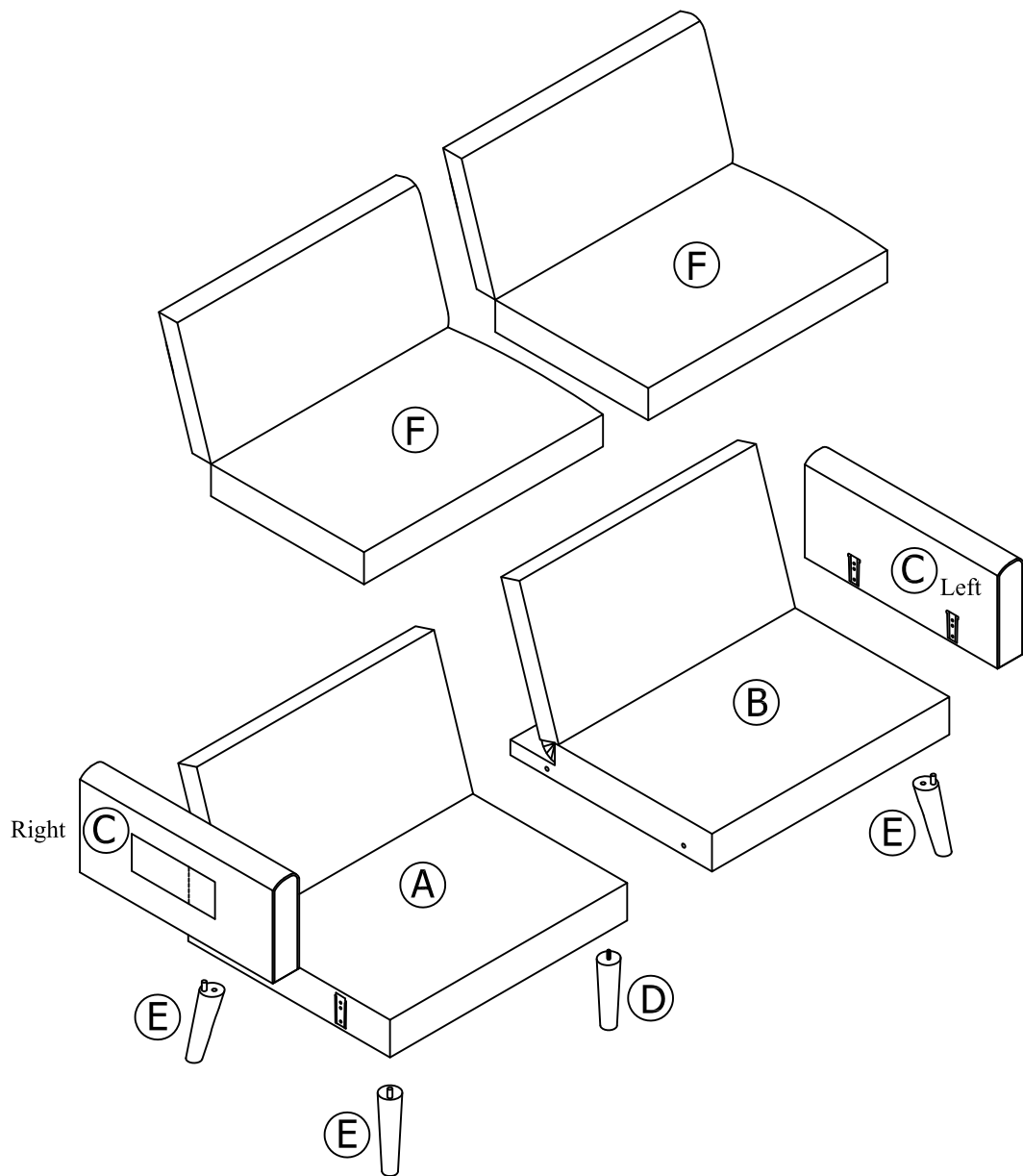


10 Mins



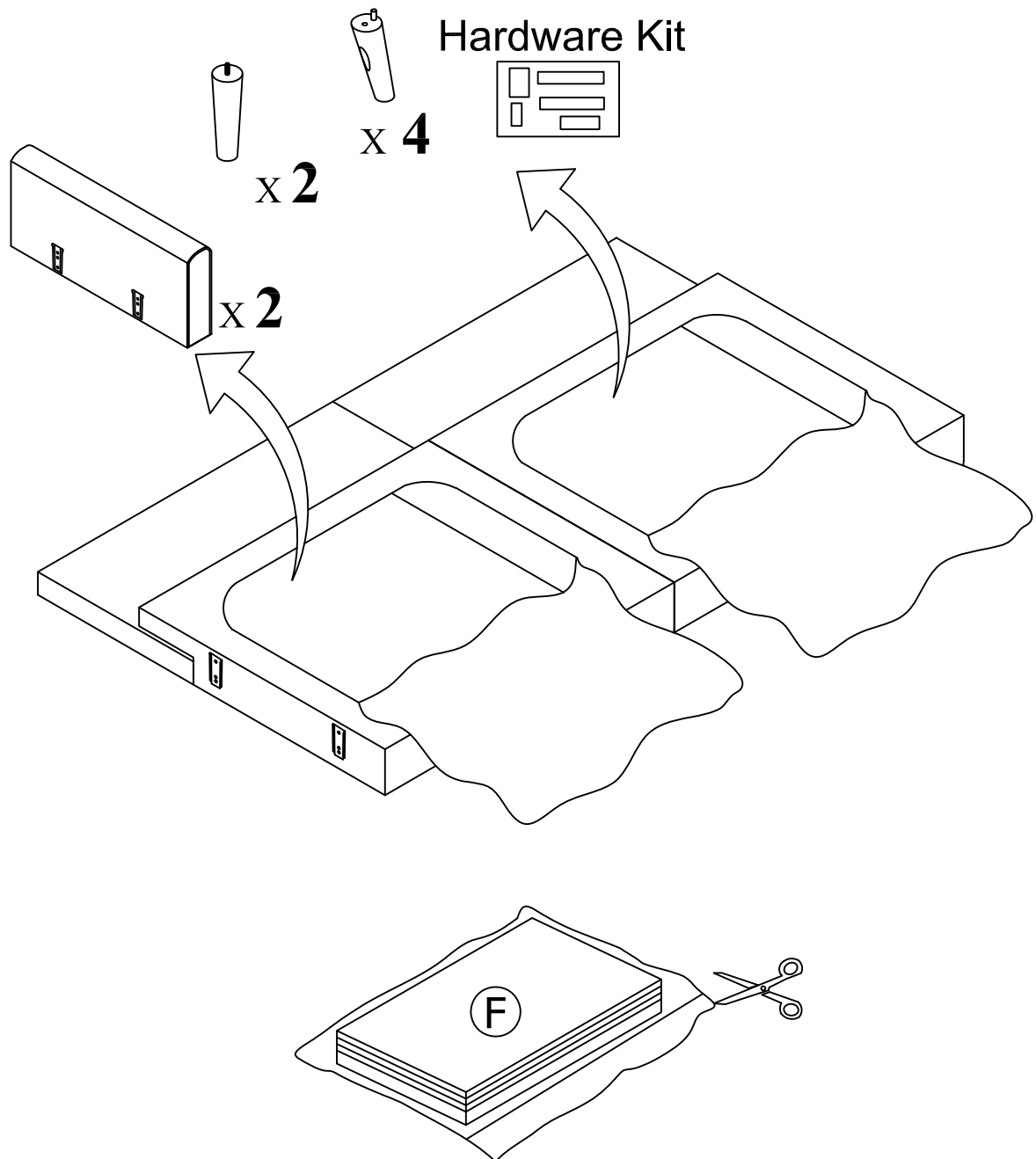
X 2











**Please don't tighten the screws until all the screws are put into the hole. And if there is any problem, please contact us and we will help you to solve it.**

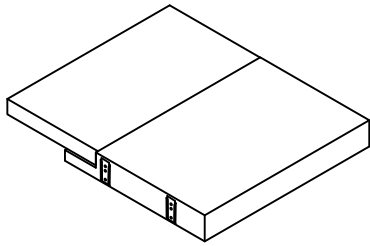
# Warn Tips



# Hardware List

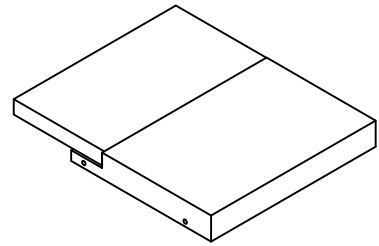
①		Ø5/16inX4-1/2inL	2 PCS	②		Ø5/16in	8 PCS
③		Ø5/16inXØ3/4in	8 PCS	④		Ø5/16inX2-1/2inL	4 PCS
⑤		Ø5/16in	2 PCS	⑥		Ø5/16in	1 PC

**A** Right Seat



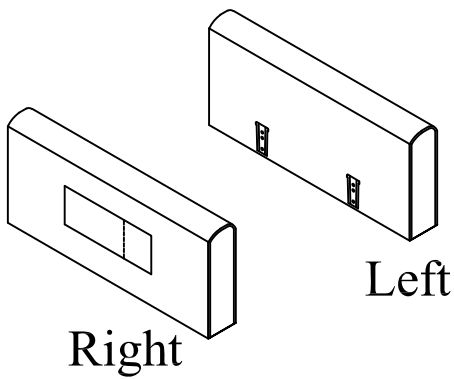
1 pc

**B** Left Seat



1 pc

**C**



2 pcs

**D**



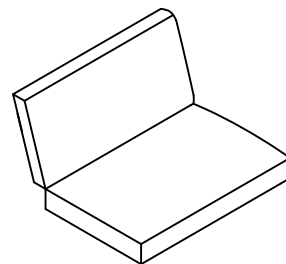
2 pcs

**E**



4 pcs

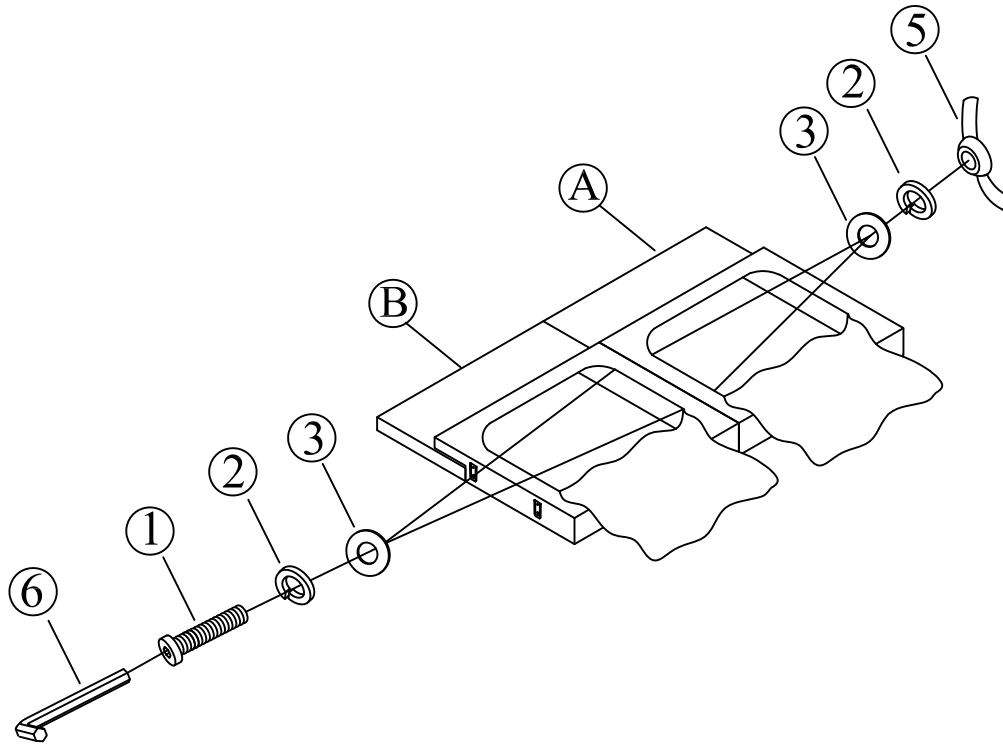
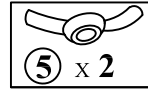
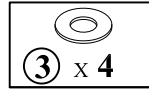
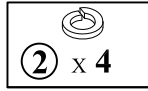
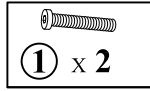
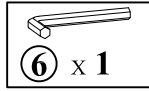
**F**



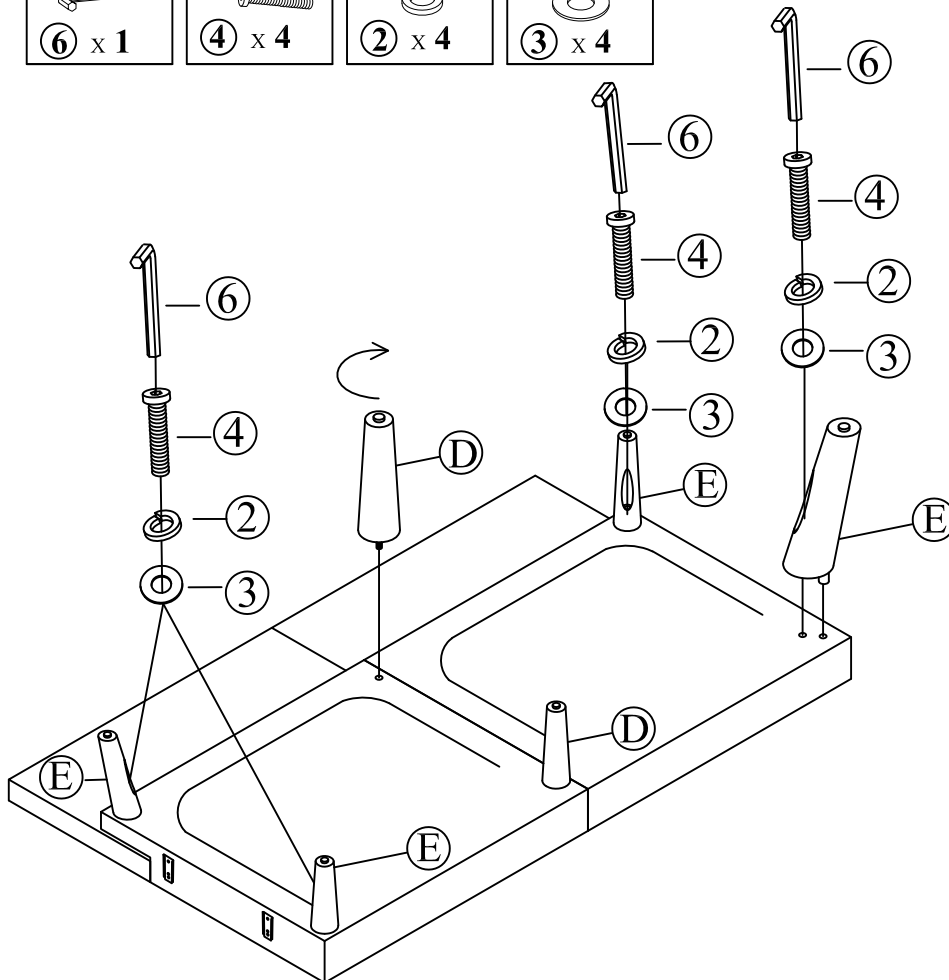
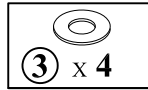
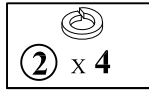
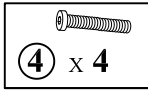
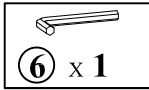
2 pcs

# Assmby Instructions

1

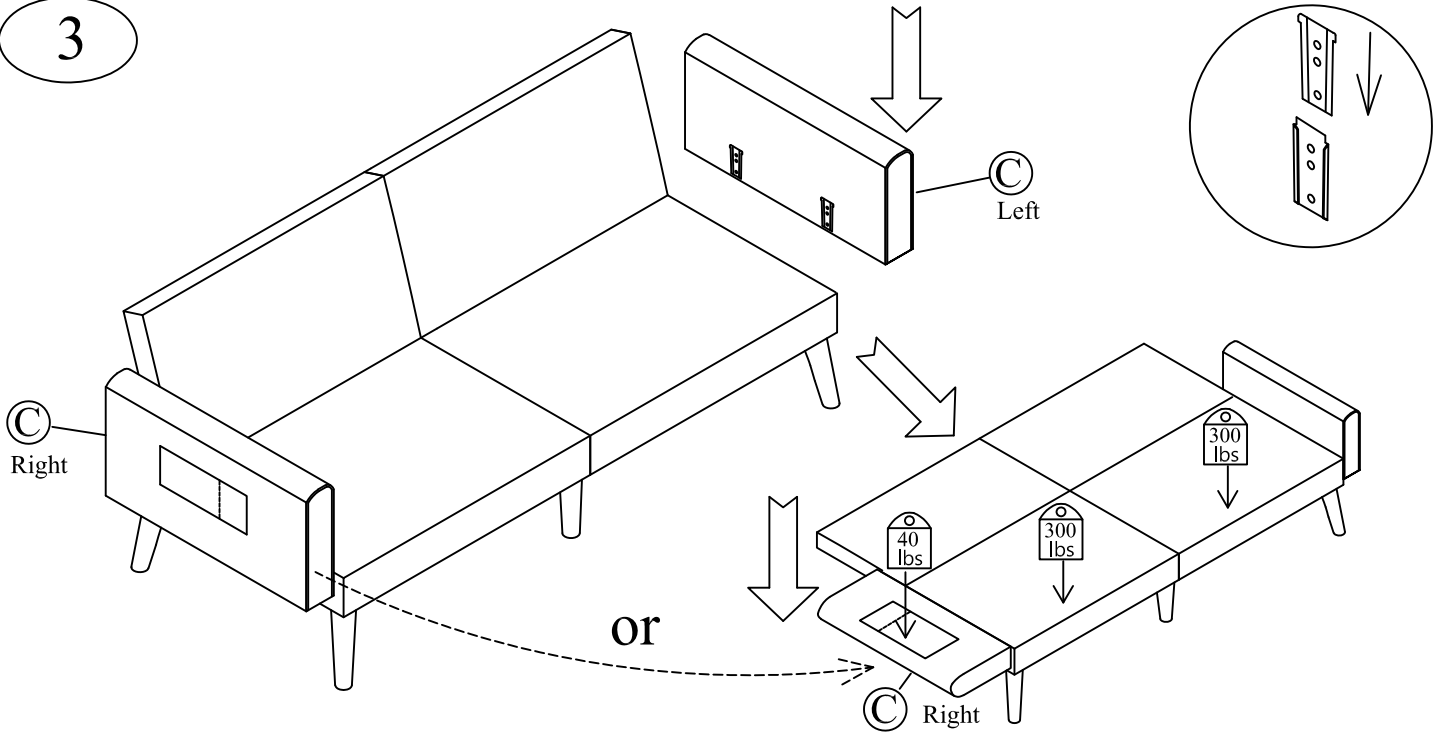


2

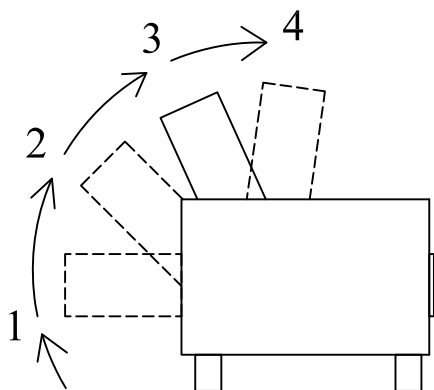
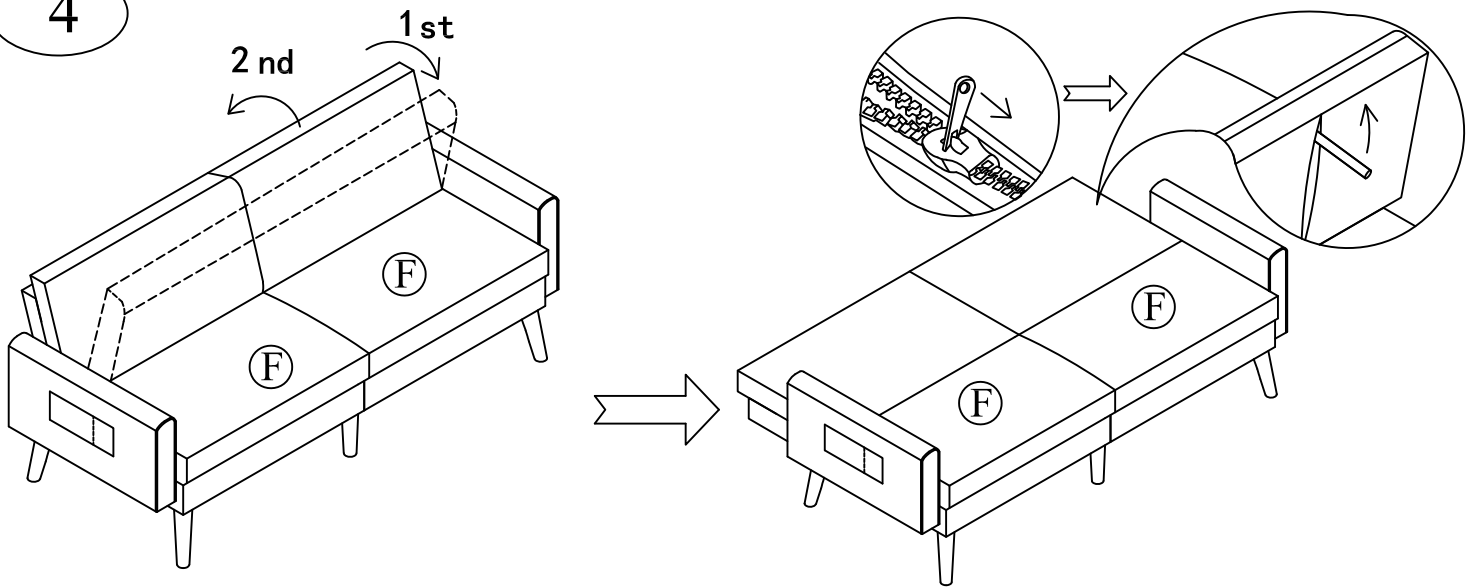


# Assmly Instructions

3



4



From the bottom to the top:  
First click: locking into recliner.  
Second click: releasing recliner.  
Third click: locking into chair.  
Fourth click: releasing chair.