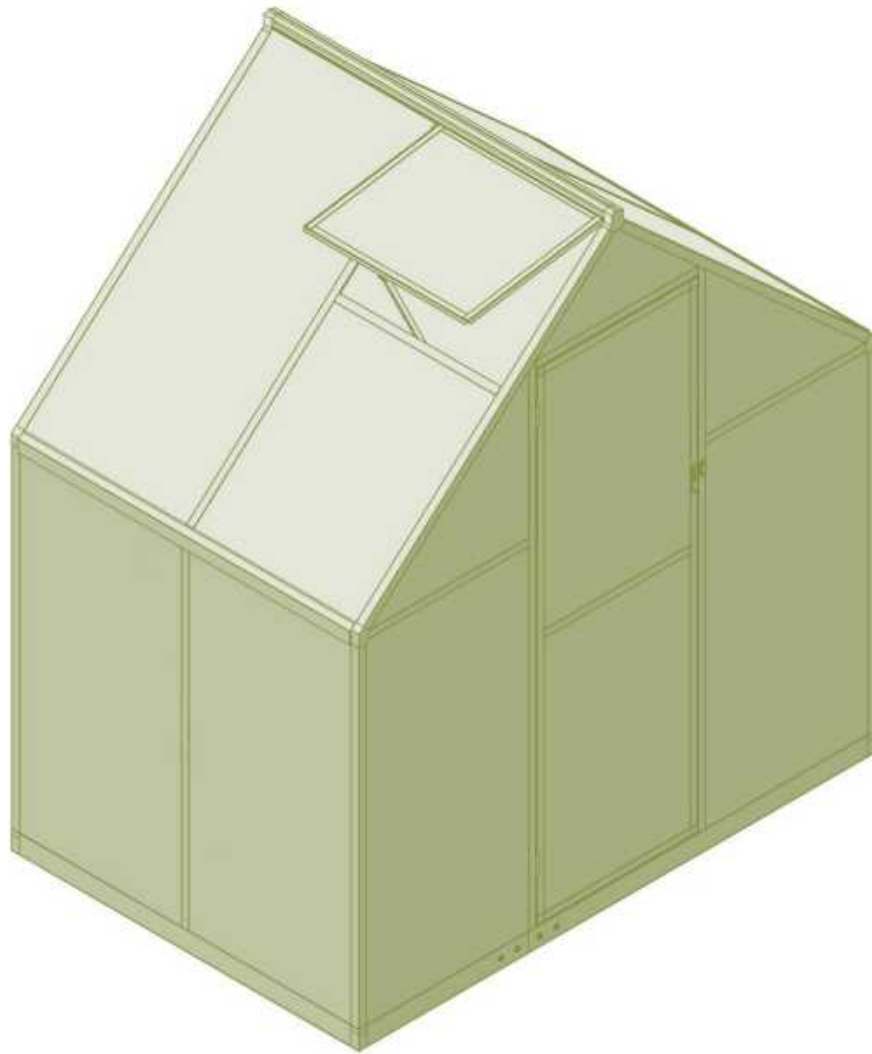


Aluminum Greenhouse 6x4 FT

ASSEMBLY INSTRUCTIONS



Please read all instructions carefully before assembly. It is best to familiarize yourself with the parts and collate the appropriate parts for each step.

If you encounter any problems during the assembly process, contact us anytime!



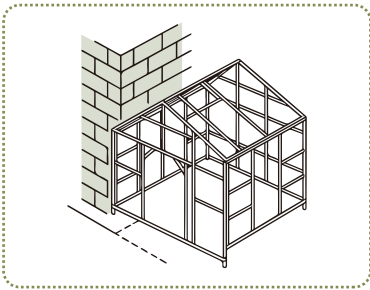
support@sylviera.com

213-796-9388

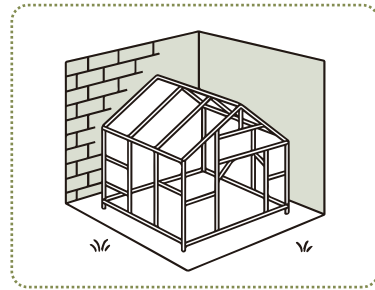


Where to Put Your Outdoor House

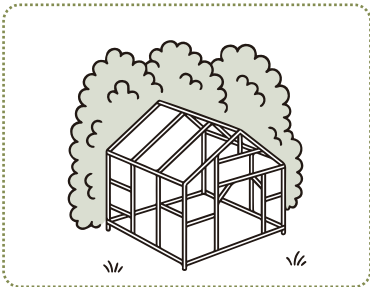
In order to ensure the safety of use and the convenience of subsequent maintenance, we recommend that you install this product in a covered environment and avoid choosing a completely open space. The following locations are recommended:



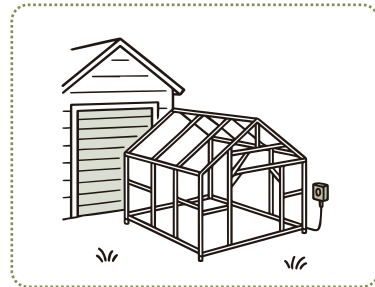
✓ **Close to the building facade:**
For example, the walls of houses or warehouses can be used to improve stability.



✓ **Next to the fence or in the corner of the courtyard:** Provide proper shelter from strong winds.



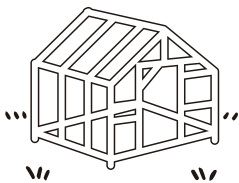
✓ **Behind a hedge or hedge:**
Natural shading, both aesthetic and practical.



✓ **Next to the garage or shed:**
Easy to connect to power or tools for easy access.



Do not install this product on:



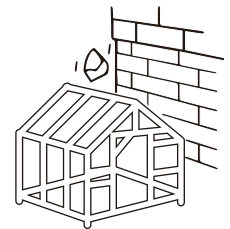
✗ **In the middle of the open meadow**



✗ **Strong winds, unsheltered areas**



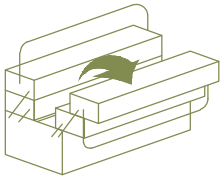
✗ **Steep slopes or poorly drained ground**



✗ **There may be a location for falling objects at high altitudes**

1. Aluminum Parts:

Product Setup: What You Need



Toolbox



Hammer



Gloves



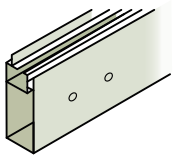
Power drill



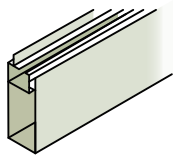
Tape Measure



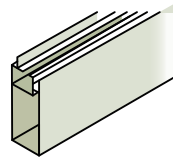
Bitbits



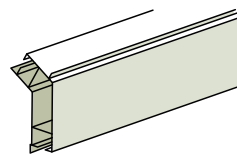
#1 A1-1 x2



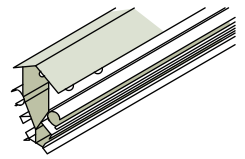
#2 A1-2 x2



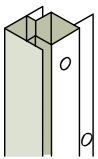
#3 A1-3 x2



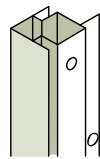
#4 A2 x2



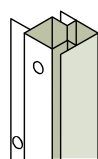
#5 A3 x1



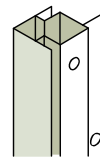
#6 A4 x4



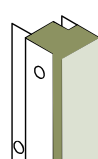
#7 A5-1 x1



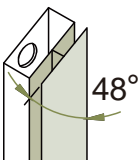
#8 A5-2 x1



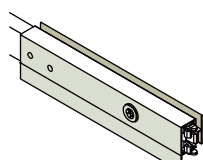
#9 A5-3 x1



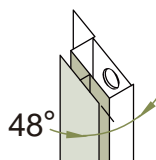
#10 A5-4 x1



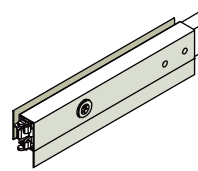
#11 A6-1 x1



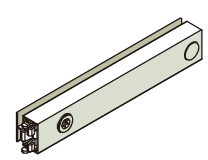
#12 A6-2 x1



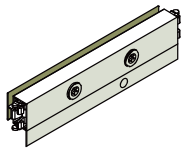
#13 A6-3 x1



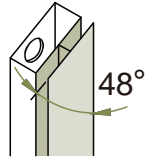
#14 A6-4 x1



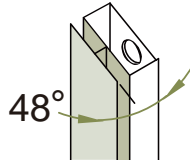
#15 A7 x1



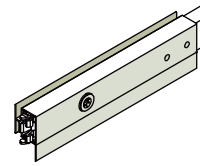
#16 A8 x1



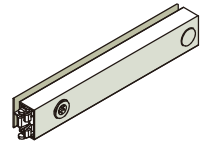
#17 A9-1 x1



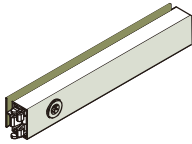
#18 A9-2 x1



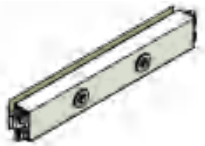
#19 A9-3 x2



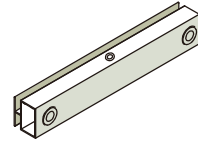
#20 A10-1 x2



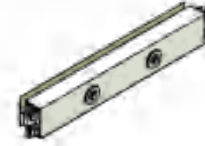
#21 A10-2 x2



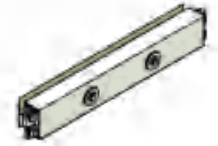
#22 A11 x1



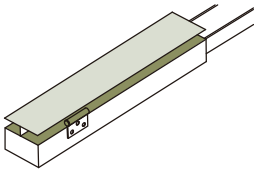
#23 A12 x1



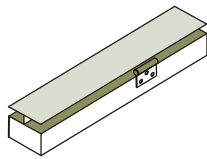
#24 A13 x2



#25 A14 x1



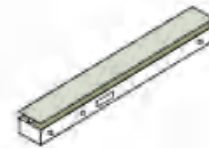
#26 A15-1 x1



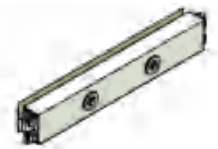
#27 A15-2 x1



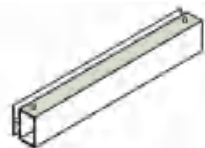
#28 A15-3 x1



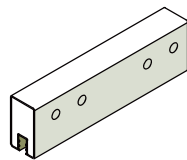
#29 A15-4 x1



#30 A16 x1



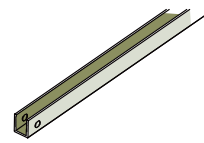
#31 A17 x2



#32 A18 x2



#33 A21 x2



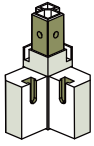
#34 A22-2 x1



#35 A23 x2



Plastic Parts:



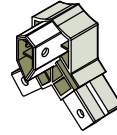
#1 H1 x4



#2 H2-A x2



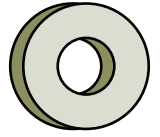
#3 H2-B x2



#4 H3 x2

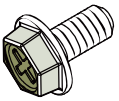


#5 H4 x4



#6 C5 x4

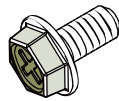
Hardware:



#1 H6 x10
SIZE:M6x30



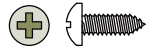
#2 H7 x1



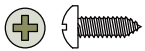
#3 H8 x39
SIZE:M6x12



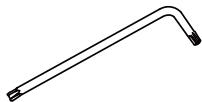
#4 H9 x10
SIZE:M6



#5 H11 x8
SIZE:ST5x10



#6 H12 x6
SIZE:ST5x16



#7 H13 x1



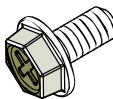
#8 H14 x2



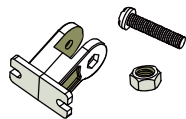
#9 F9 x4



#10 H15 x1



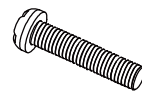
#11 H26 x4
SIZE:M6x20



#12 A22-1 x1



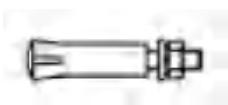
#13 H18 x1



#14 H19 x1
SIZE:M4x38



#15 H20 x10
SIZE:ST4x10



#16 F8 x4



#17 C2 x2



#18 C3-A x2

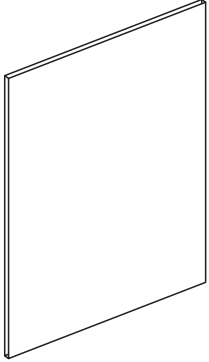
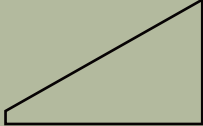
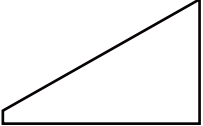
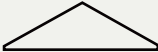
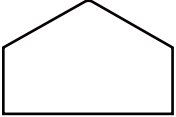



#19 C3-B x2



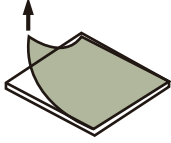
#20 C7 x2

Twin PC Board:

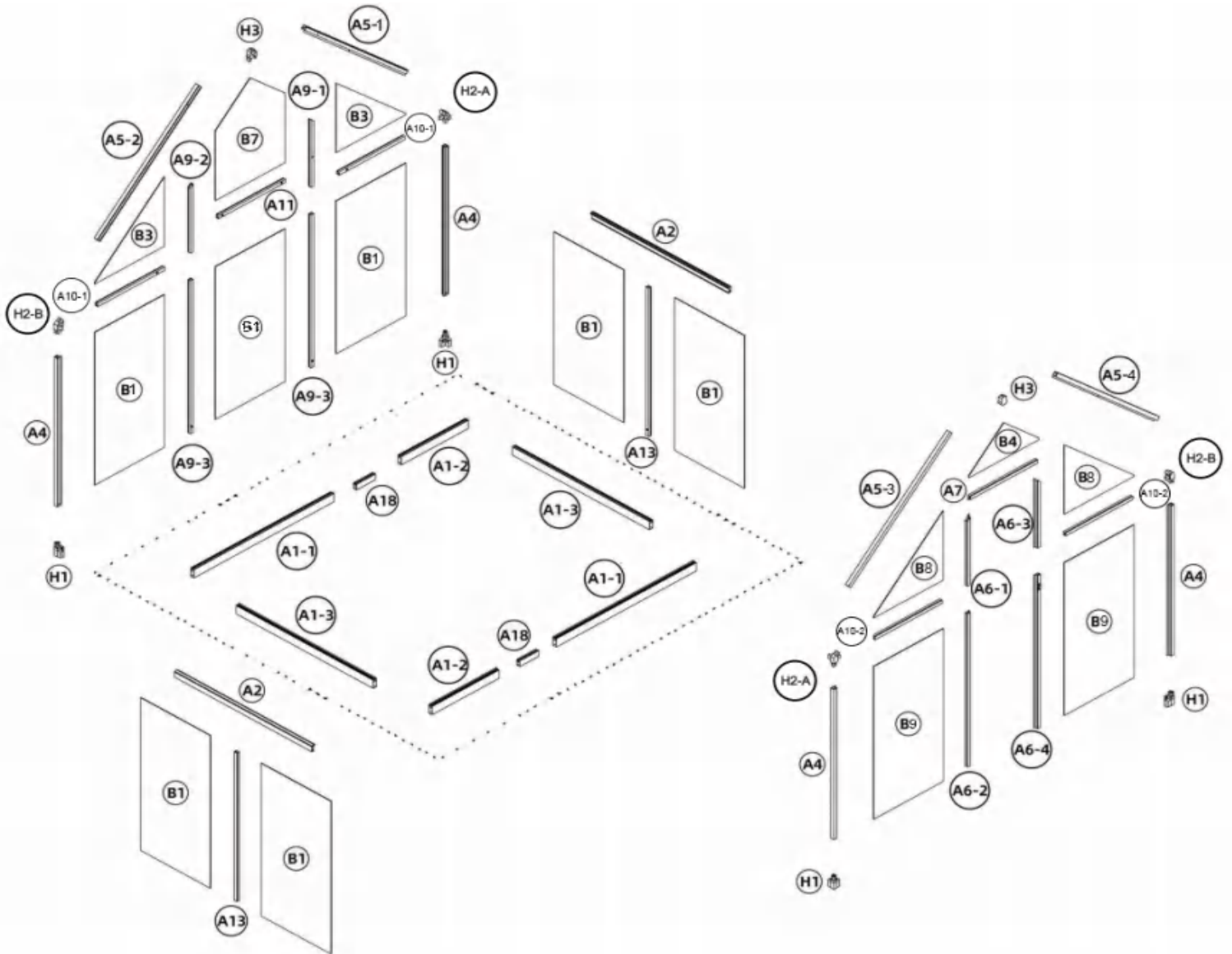
No.	Picture	Qty.	
B		B1	x10
		B2	x2
		B5	x1
		B9	x2
		B8	x2
		B3	x2
		B4	x1
		B7	x1
	B6	x1	

Note: Film on both sides to be peeled off before installation.

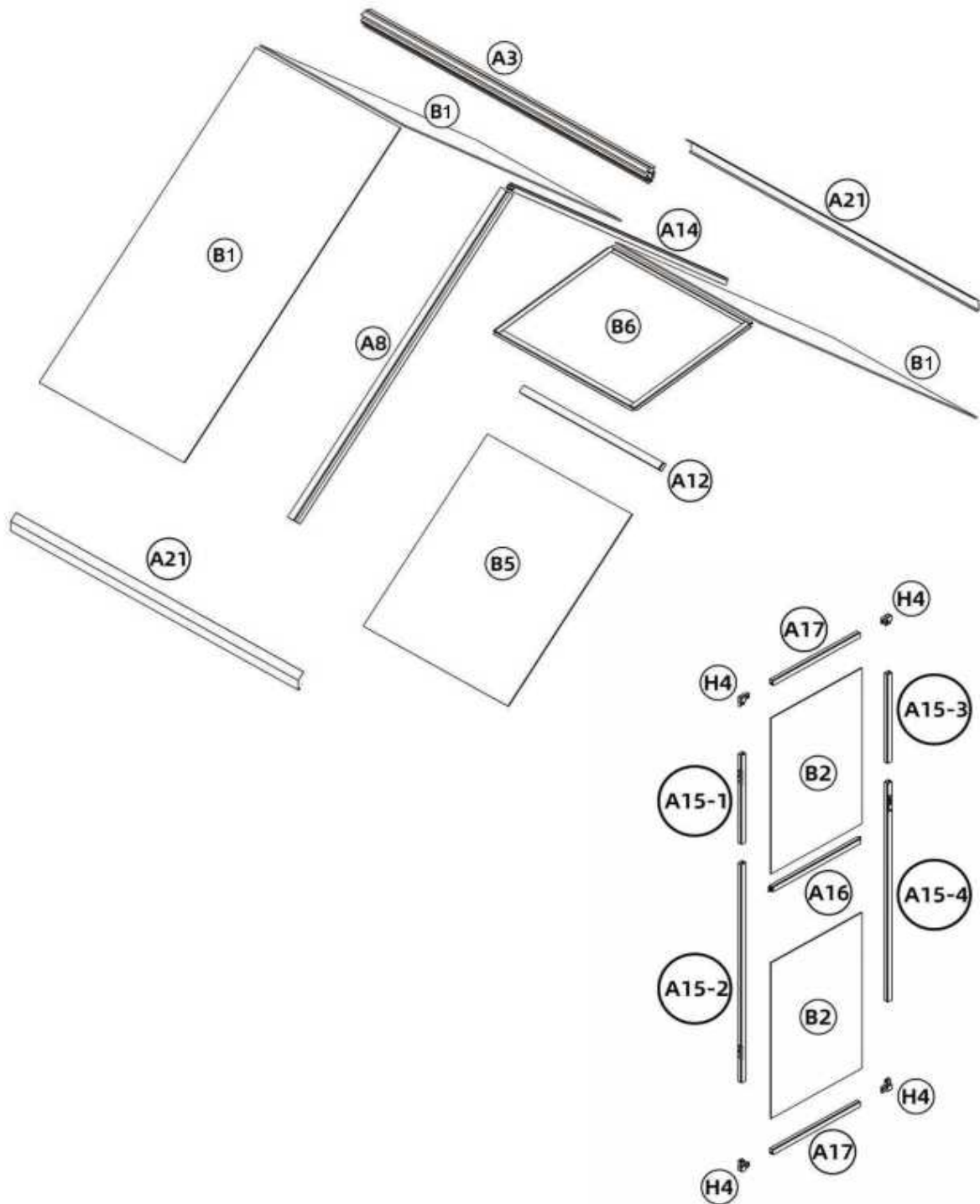
The white film faces outwards if application



2. Wall Section



3. Roof & Door Section





Please read the following carefully before assembling

Precautions for assembling the PC board:

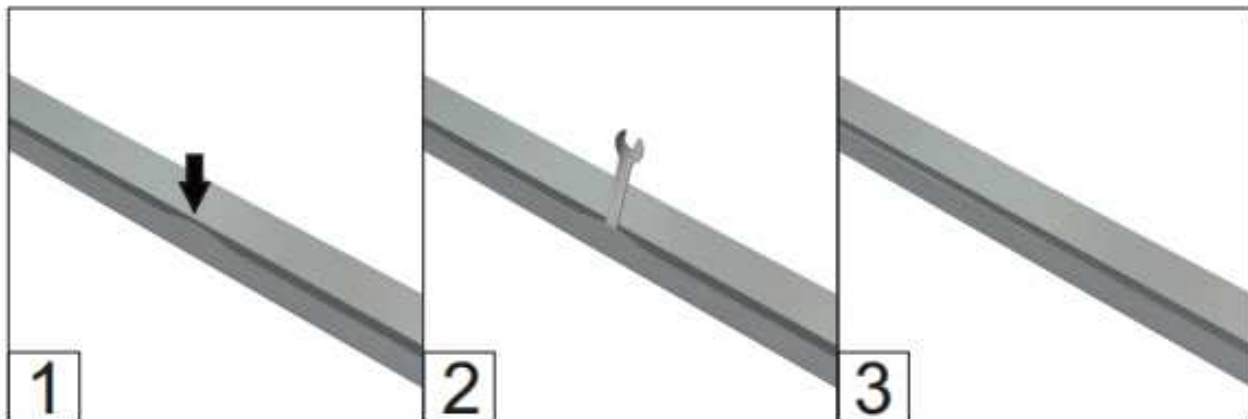
1. Before assembly, it is necessary to remove the film on both sides of the PC board;



2. It is recommended that silicone sealant can be applied to the edges of the PC board when installing it to enhance the overall firmness.

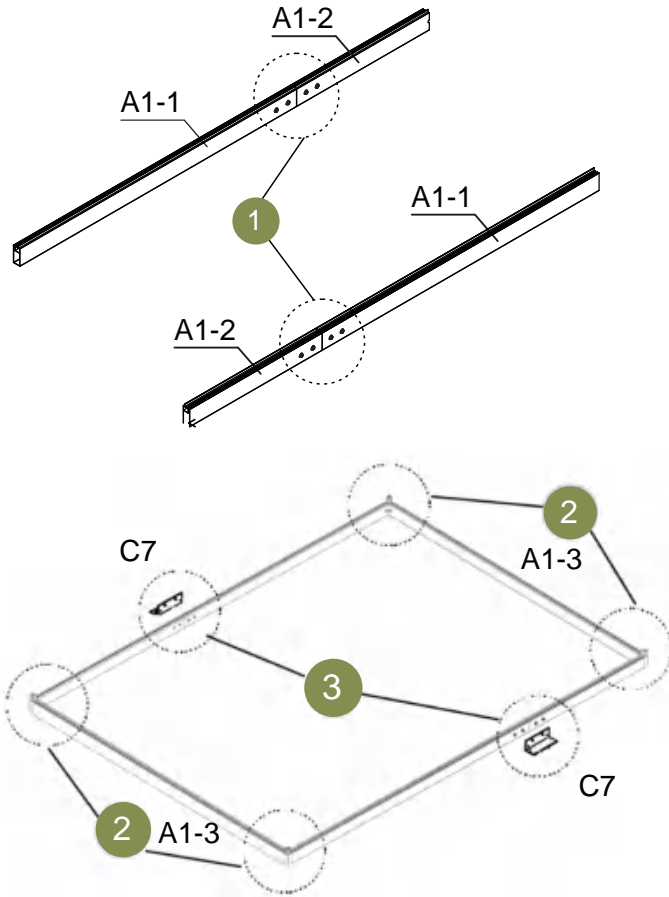
3. When installing the C7, pay attention: C7 Please install the installation manual, if it is a cement floor, fix it with expansion screw F8; The muddy ground is fixed with ground nail F9.

Warning: Do not install in windy weather!

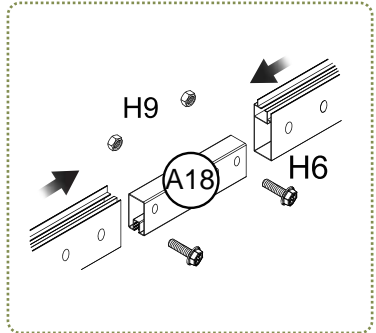


If the aluminum part curved as below picture, please use the wrench to restore it.

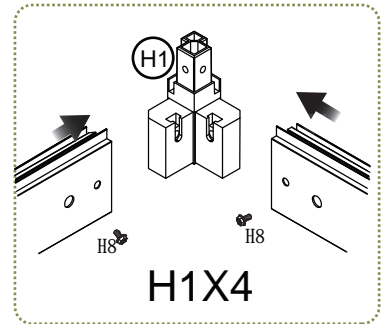
STEP 1 Installation of Ground Beams



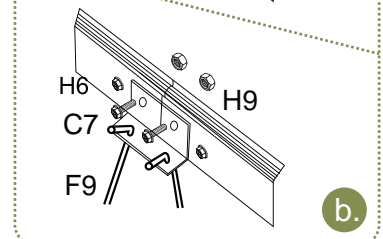
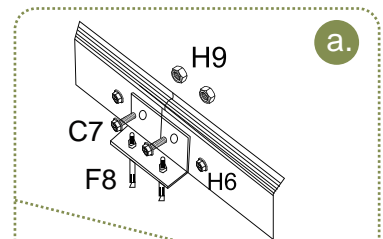
Ground Fixing Video



1. Note: Only the first and fourth holes of A18 are used to fix the ground beam, and the middle two holes are used to fix C7, as shown in 3 below



2. Connect A1-2 and A1-3 with H1 and secure with H8 screws

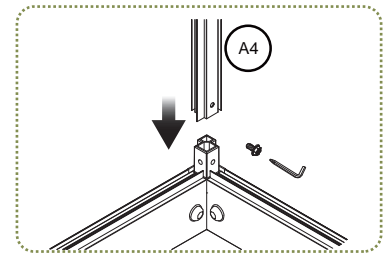
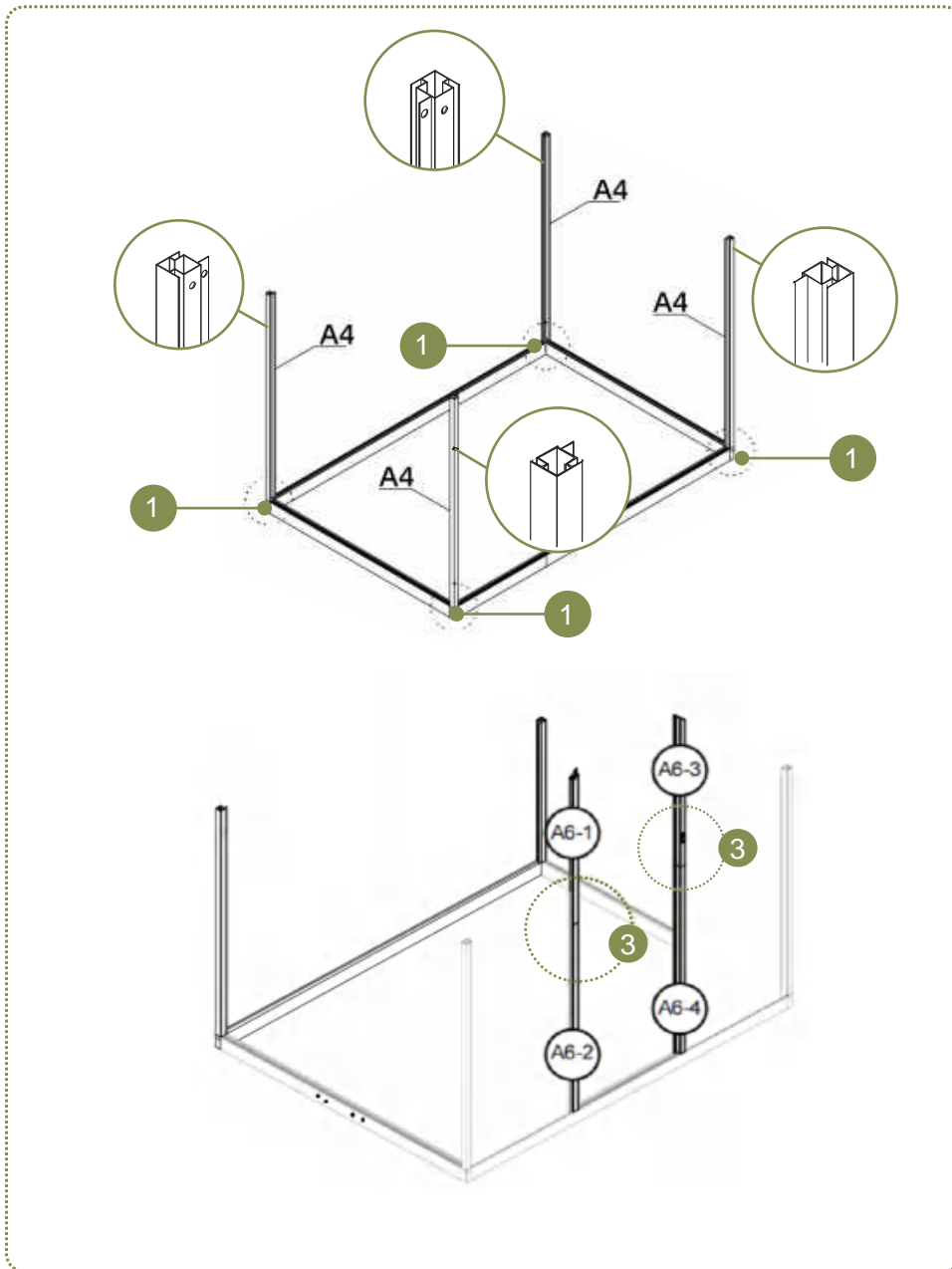


3. When installing C7, please note that if the greenhouse is assembled on a cement floor, use expansion screw F8 to fix C7, as shown in Figure "a"; If the greenhouse is assembled on the mud floor, use nail F9 to fix C7, as shown in Figure "b"

List:

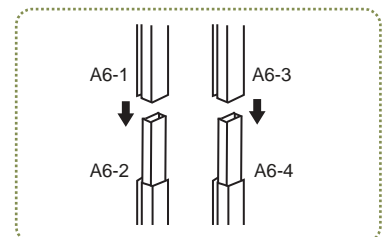
1 A1-1	x2	5 H8 M6x12	x8	9 F9	x4
2 A1-2	x2	6 C7	x2	10 H6 M6x30	x8
3 A1-3	x2	7 H1	x4	11 H9 M6	x8
4 A18	x2	8 F8	x4		

STEP 2 Installation of the Columns & Door Frames



1. Please note the A4 orientation

A4 installation video



2. A6-1 and A6-3 are inserted into A6-2 and A6-4

List:

1

A4



5

A6-4



2

A6-1



6

H8 M6X12



3

A6-2

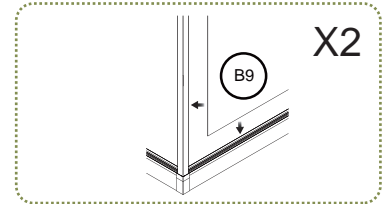
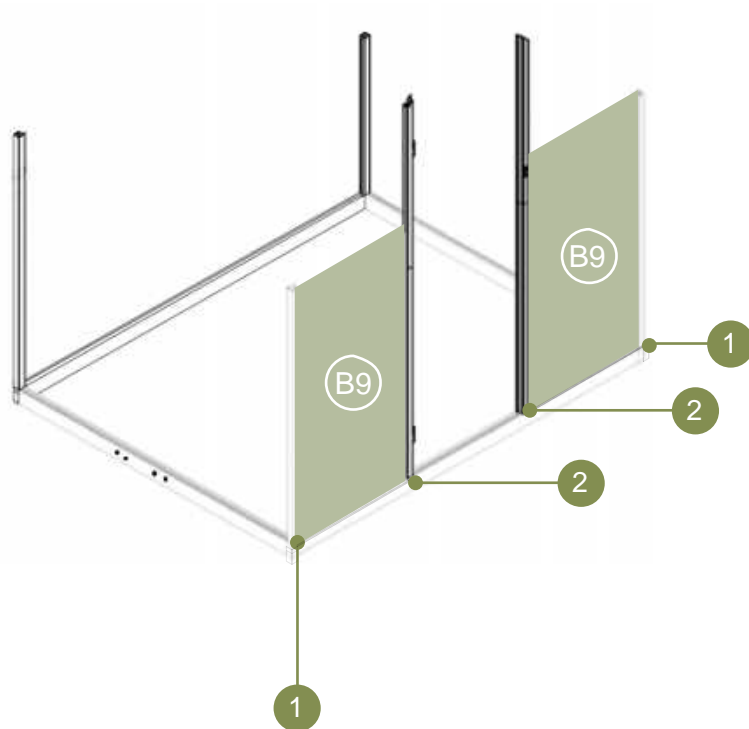


4

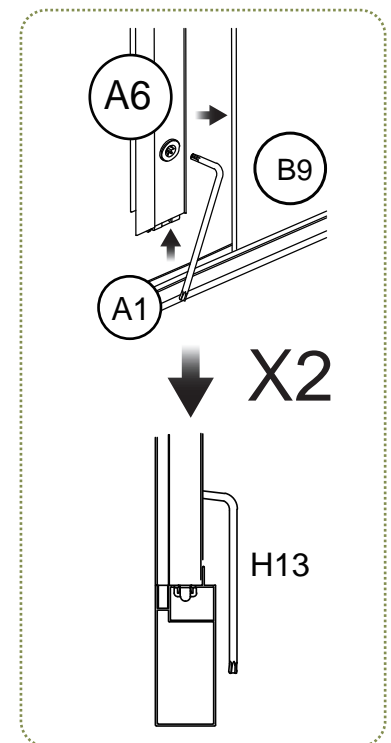
A6-3



STEP 3 Installation of the Front Panels



1. The B9 panel needs to be accurately snapped into the slot

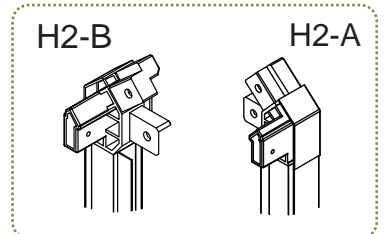
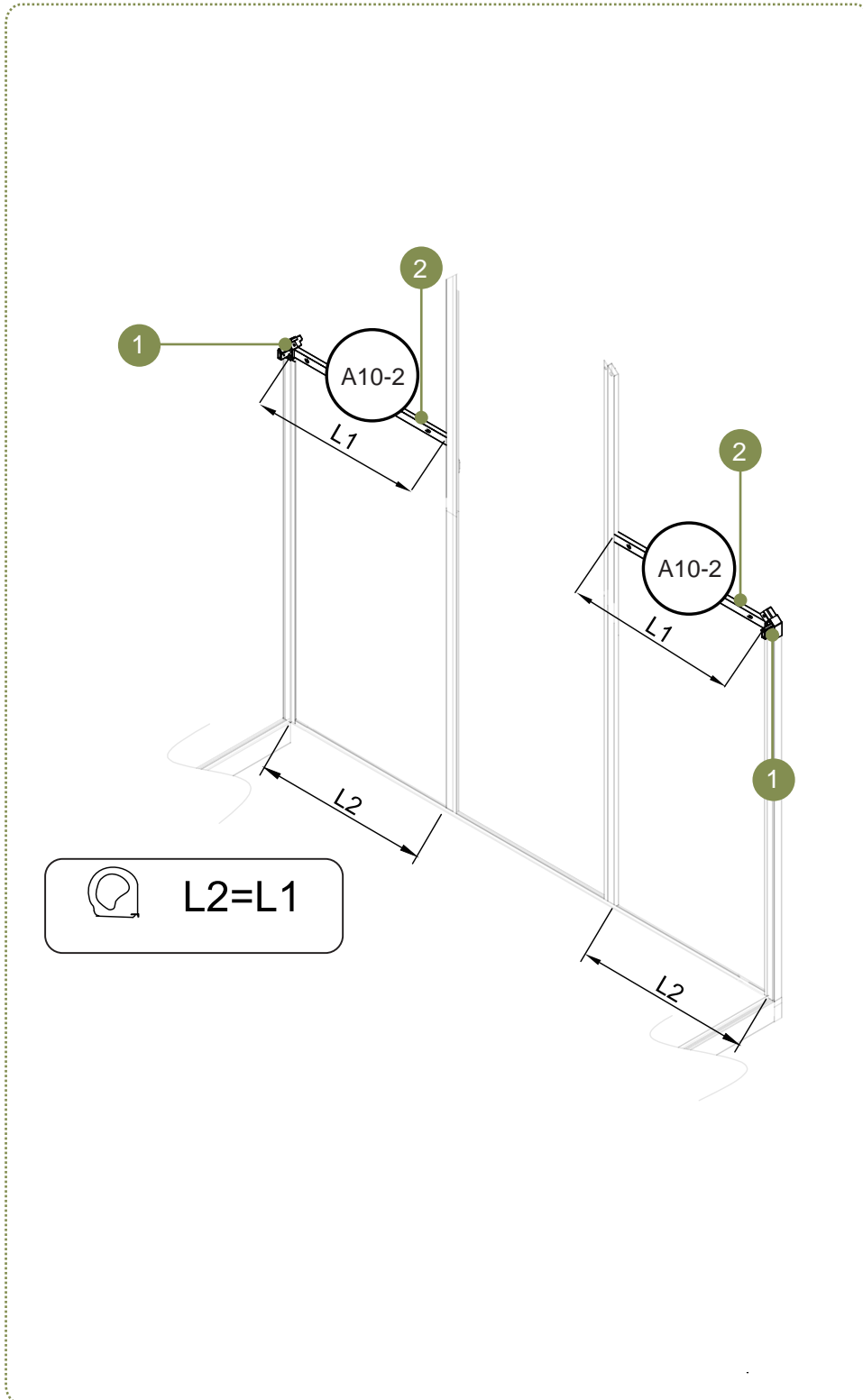


2. Snap A6 into the A1 slot of the ground beam, and snap the B9 into the slot, and tighten the lock

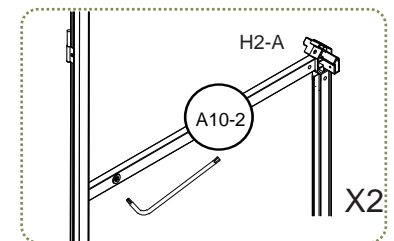
List:

1 B9 x2

STEP 4 Installation of H2 and A10-2

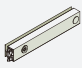




1 H2 is inserted into the A4 profile from top to bottom.

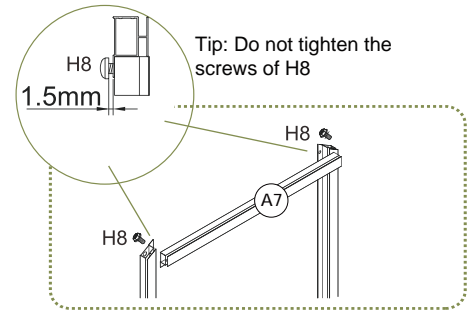
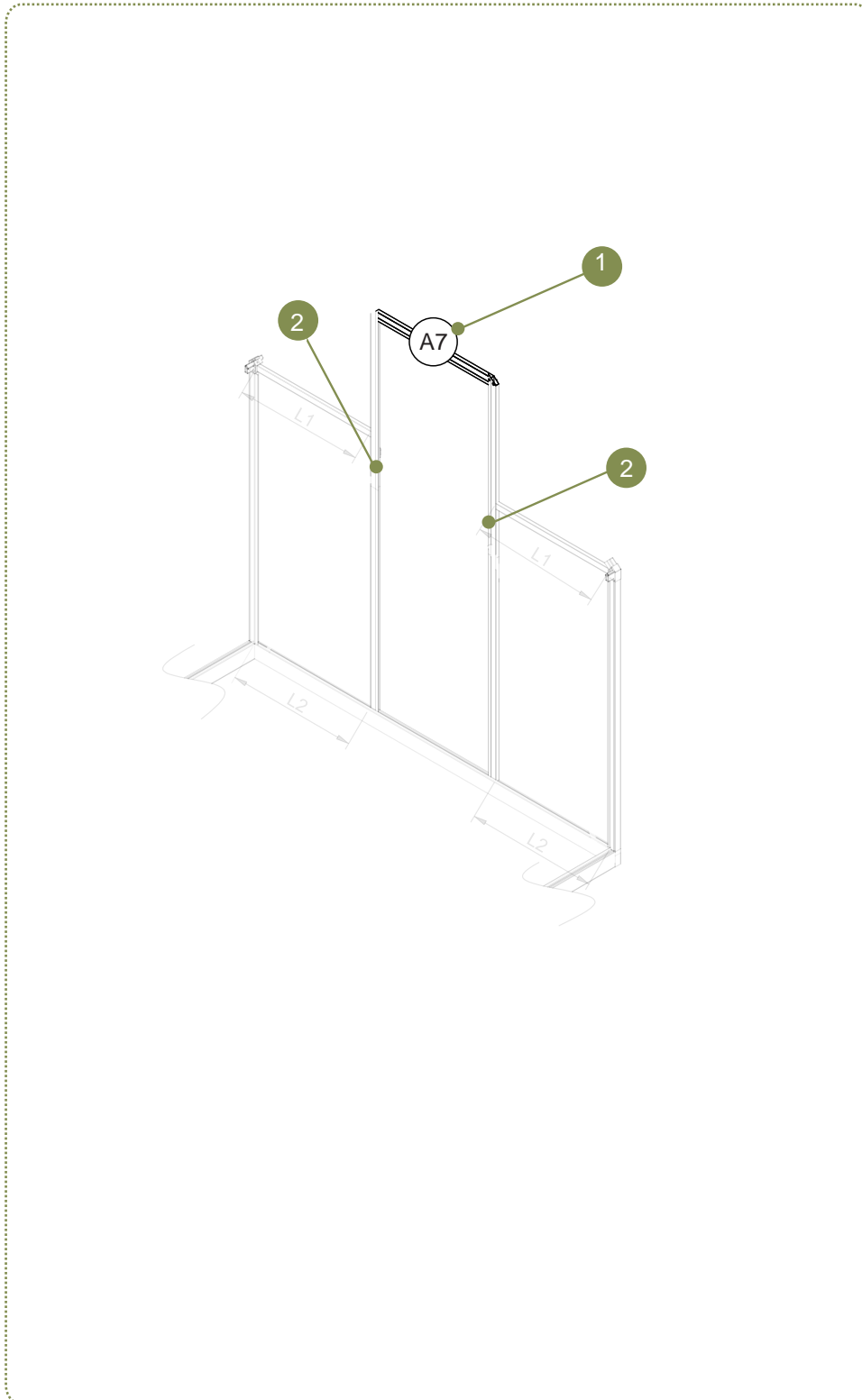


2 Connect one end of A10-2 to the A6-1 card slot position and the other end to H2.

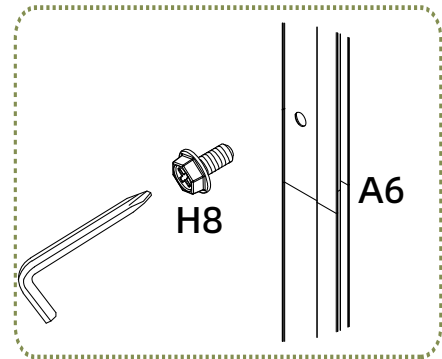
List:

1	A10-2		x2
2	H2-A		x1
3	H2-B		x1

STEP 5 Installation of A6 & A7

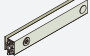


1. Install the A7 with H8 screws

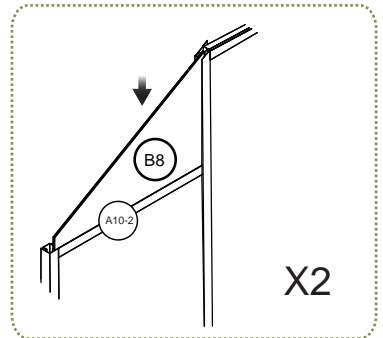
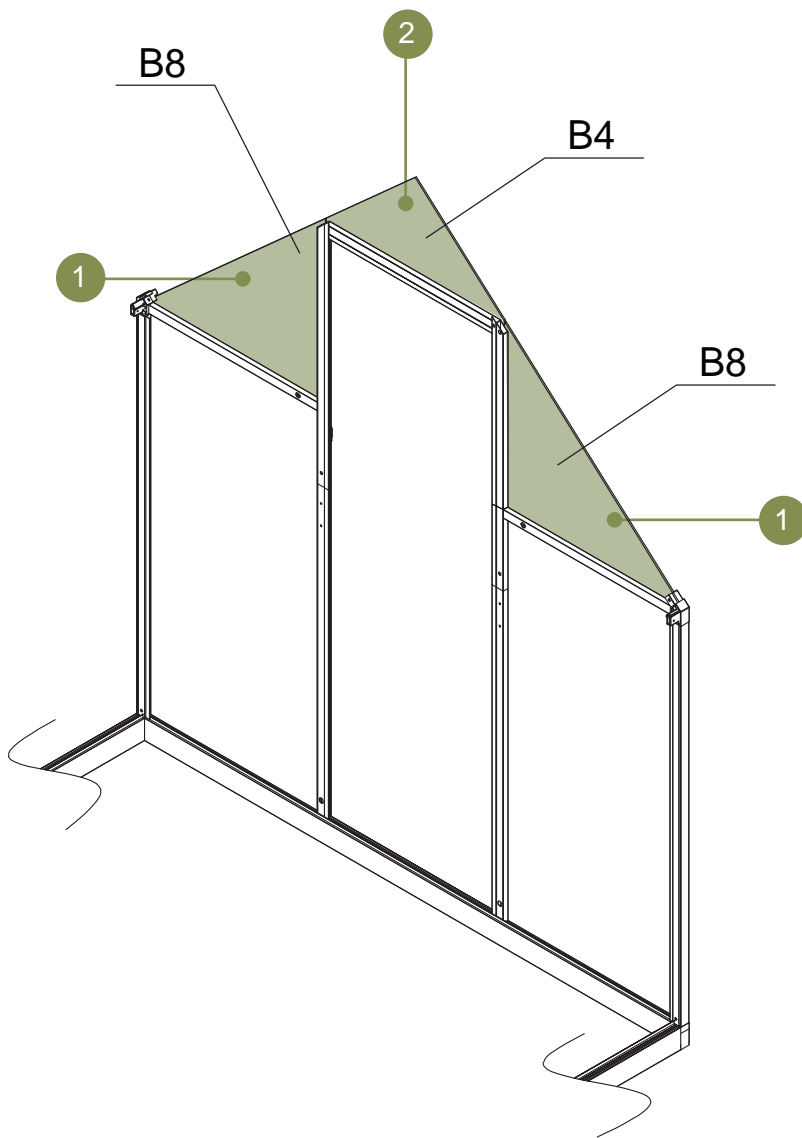


2. Secure the door frame A6 with H8

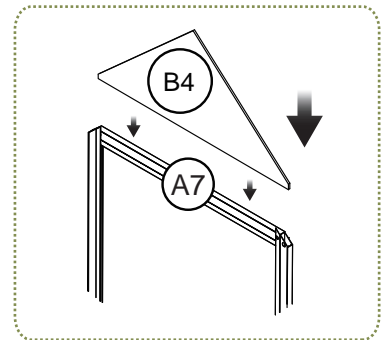
List:

1	H8		x4
2	A7		x1

STEP 6 Installation of B3 and B4


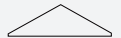


1. Please assemble the B8 as shown in the picture above .

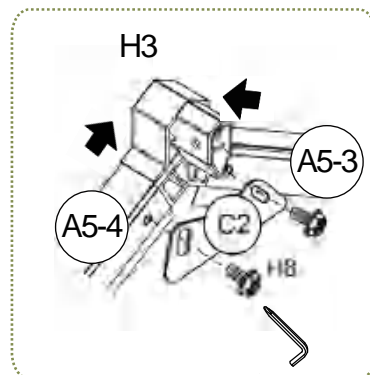
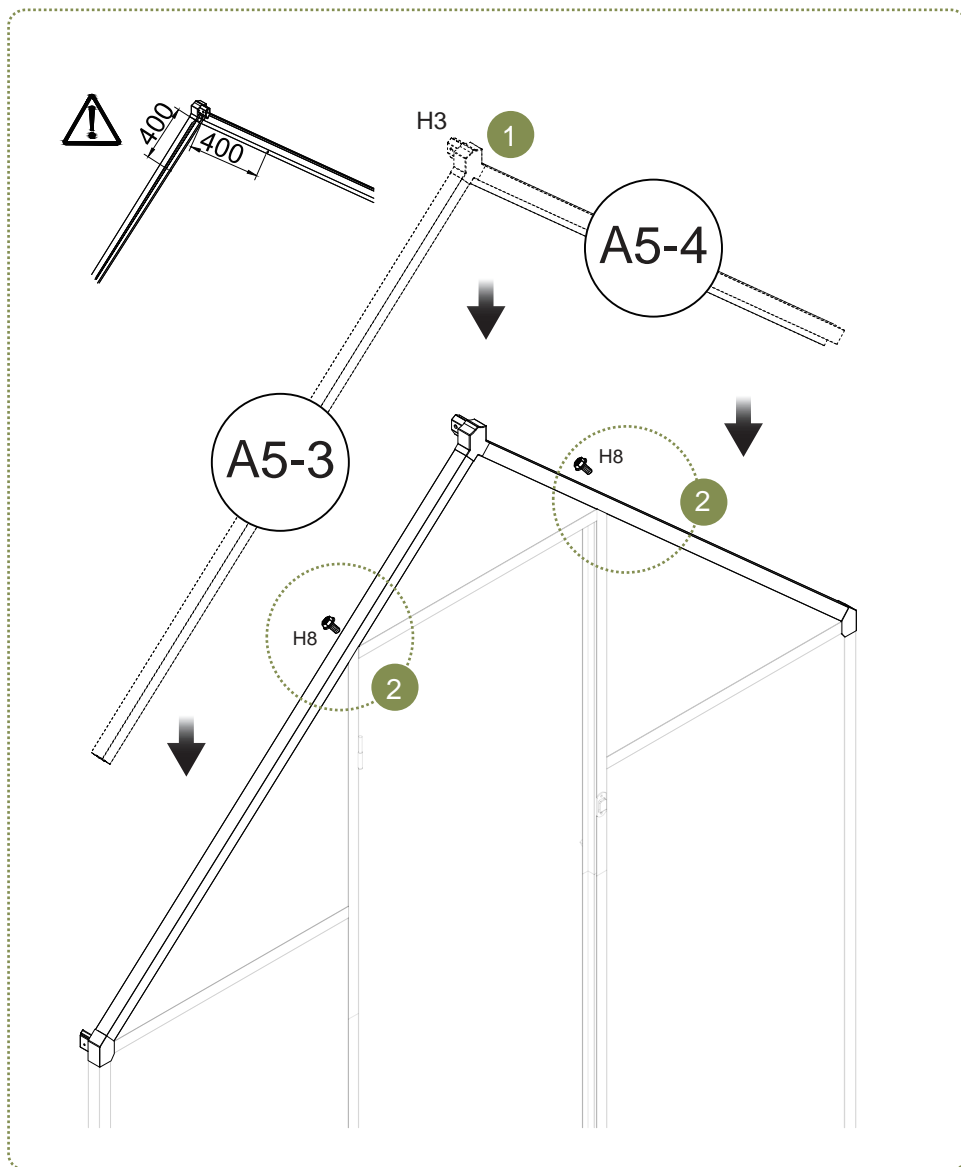


2. Please assemble the B4 as shown in the picture above

List:

1 B8		x2
2 B4		x1

STEP 7 Installation of the Front Herringbone Beams




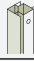


1. Insert A5-3 and A5-4 into H3 (notice the orientation of A5) and connect C2 with them using H8

C2 installation video

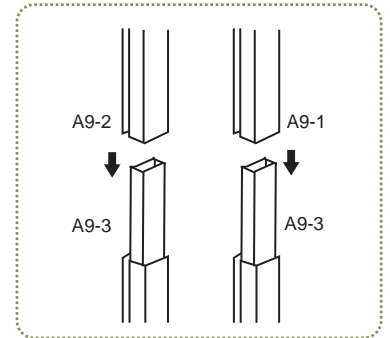
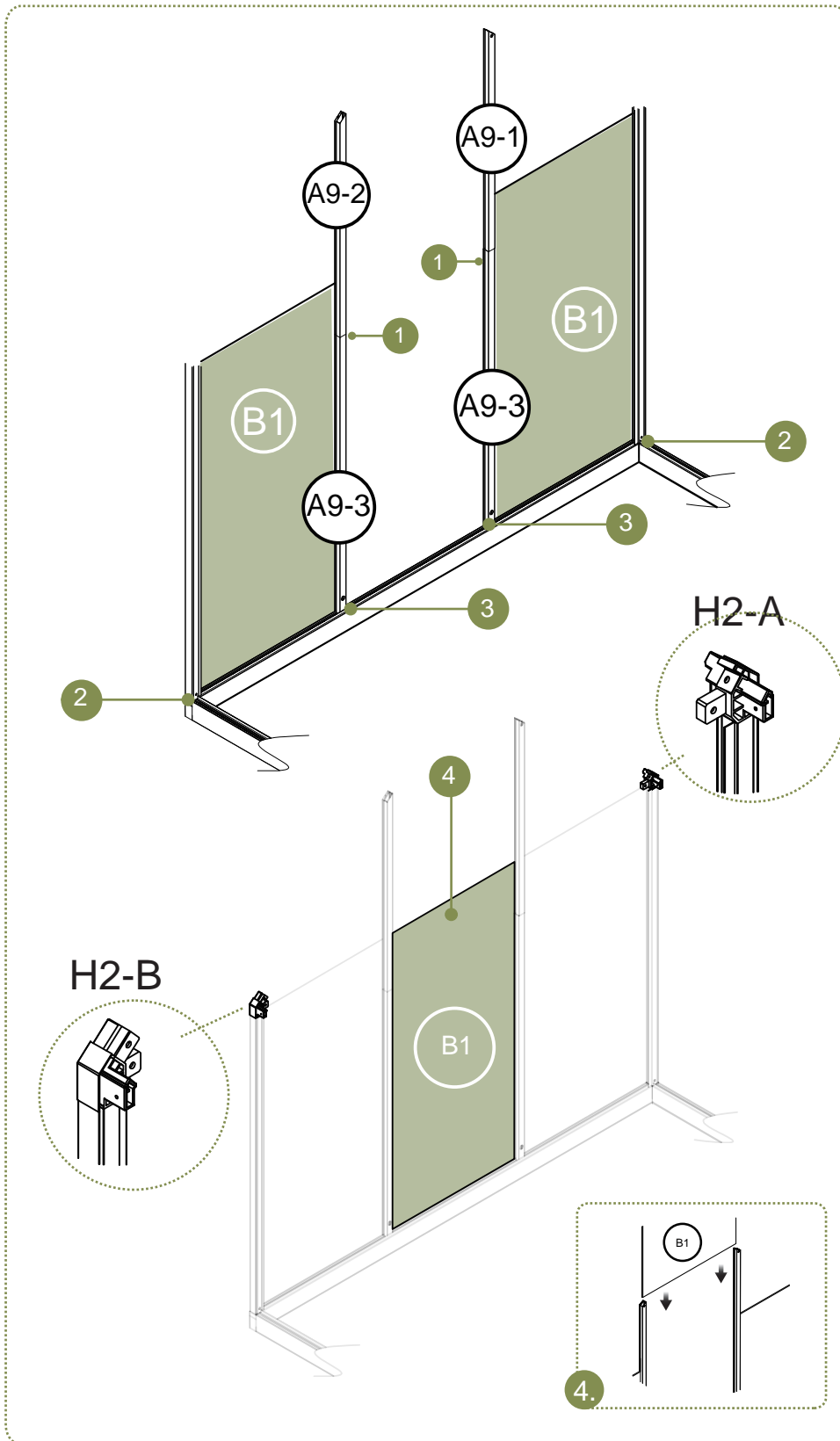


2. Tighten the H8 from the inside.

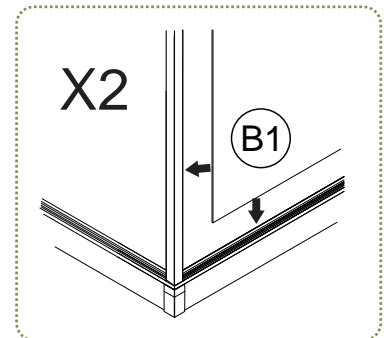
List:

- | | | | |
|---|----------|---|----|
| 1 | A5-3 |  | x1 |
| 2 | A5-4 |  | x1 |
| 3 | C2 |  | x1 |
| 4 | H8 M6X12 |  | x4 |

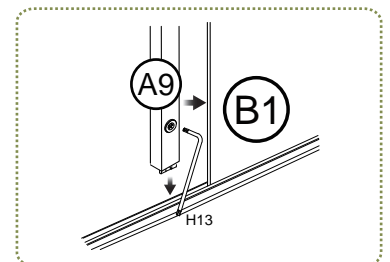
STEP 8 Installation of the Rear Panels



1. Connect A9-1 to A9-3, A9-2 to A9-3









2. Accurately insert B1 into the slot

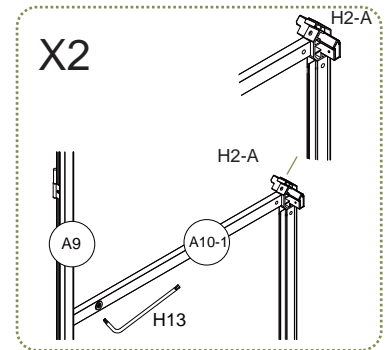
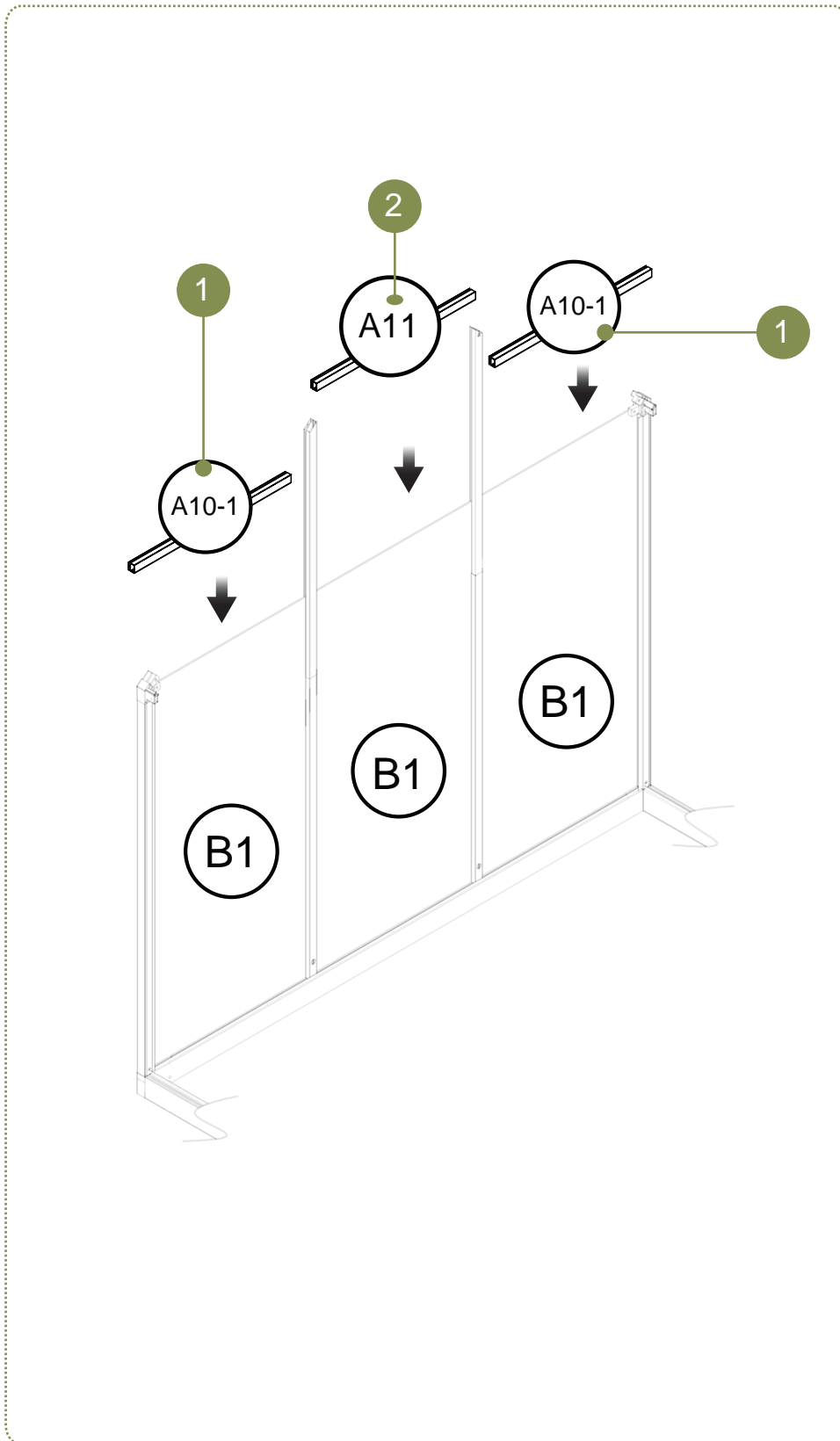


3. Snap A9 into the A1 slot of the ground beam, and snap the B1 into the slot, and tighten the lock

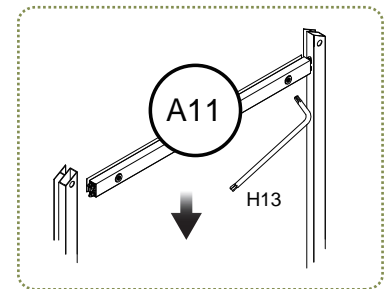
List:

- | | | | | | | | |
|---|------|---|----|---|----|---|----|
| 1 | A9-1 |  | x1 | 6 | B1 |  | x3 |
| 2 | A9-2 |  | x1 | | | | |
| 3 | A9-3 |  | x2 | | | | |
| 4 | H2-A |  | x1 | | | | |
| 5 | H2-B |  | x1 | | | | |

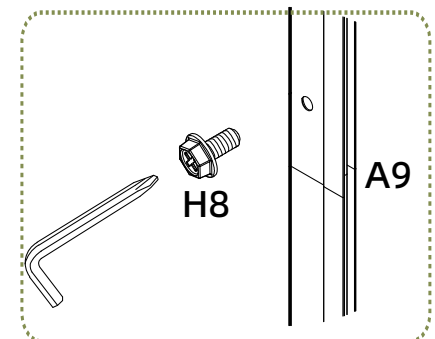
STEP 9 Installation of A10 and A11



1. Connect A10-1 into H2-A/B.






2. Insert both ends of A11 into the hole slots, and insert the upper edge of the lower plate into the A11 slot. Tighten the lock

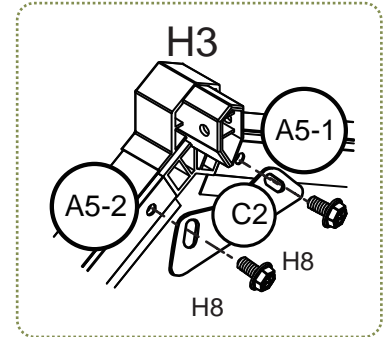
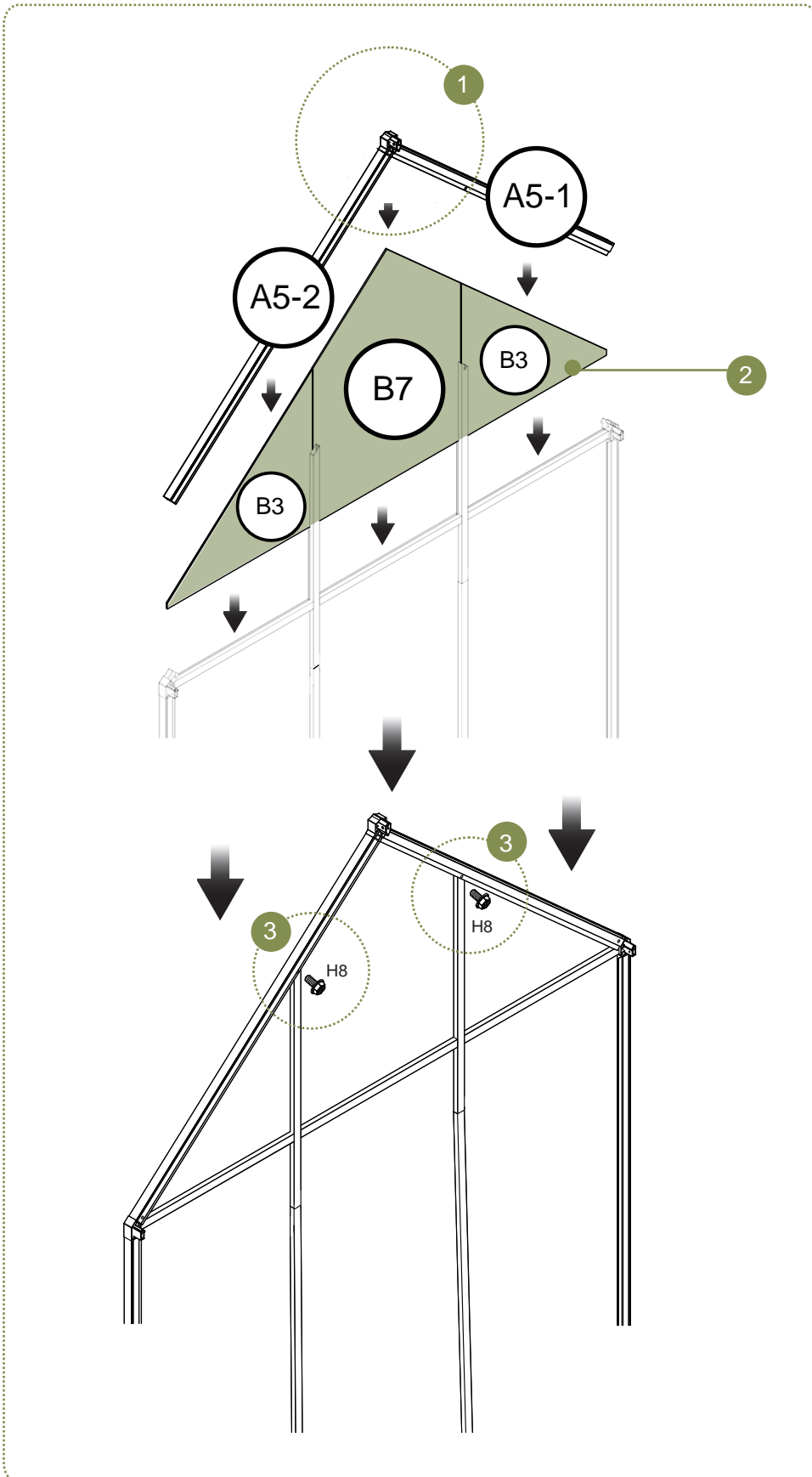


3. Use H8 to secure A9

List:

- 1 A10-1  x2
- 2 A11  x1
- 3 H8 M6X12  x2

STEP 10 Installation of the Rear Herringbone Beams



1. Insert A5-1 and A5-2 into H3 and connect C2 with them using H8.




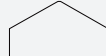


2. B3 and B7 are inserted into the card slot from top to bottom as shown in the image on the left.

3. Snap A5-1 and A5-2 into the B3 and B7 panels and secure the two screws in the middle from the inside, as shown

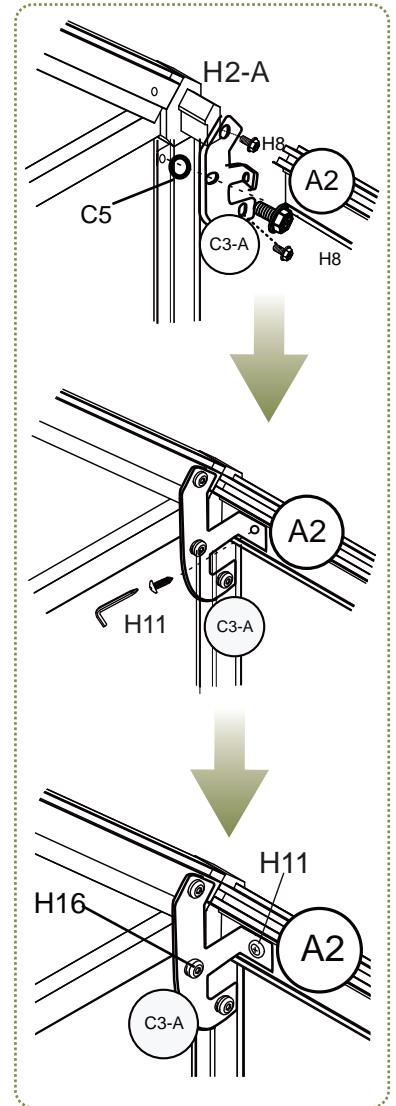
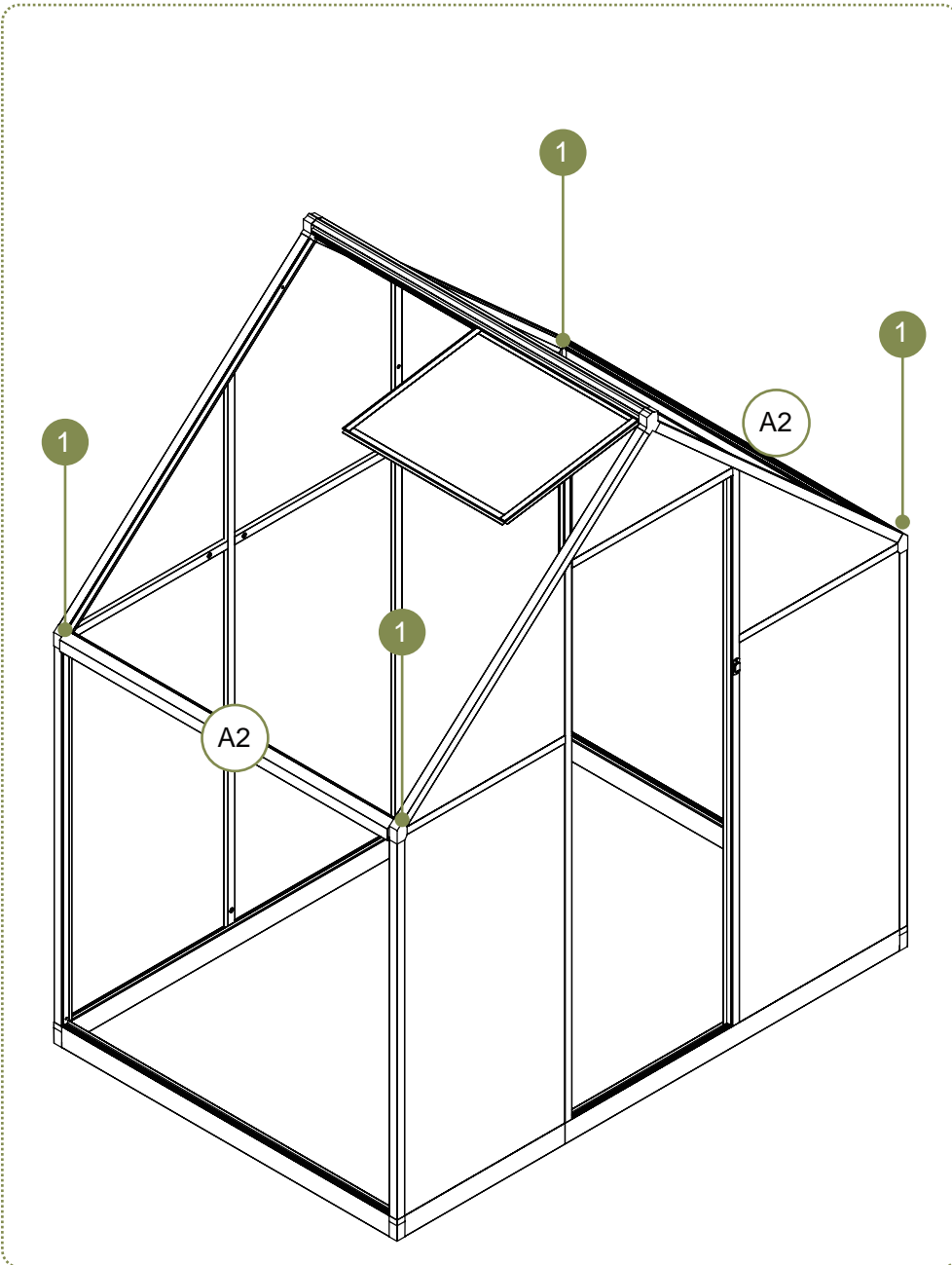
C2 installation video



List:

1	A5-2		x1
2	A5-3		x1
3	B3		x2
4	B7		x1
5	H8 M6X12		x4
6	C2		x1

STEP 11 Installation of the C3 Corner Guard










1. Install C3A/B at the four corners and fix it with screws

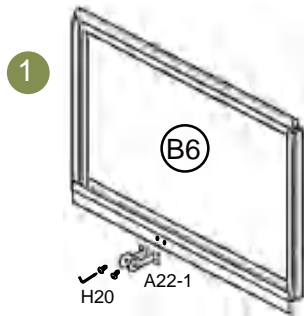
C3 installation video



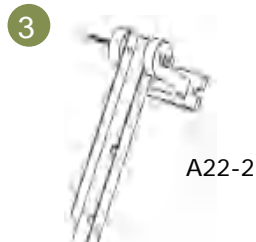
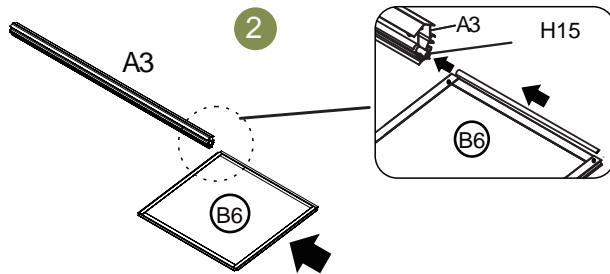
List:

- | | |
|---|---|
| 1 A2  x2 | 5 H8 M6x12  x8 |
| 2 C3-A  x2 | 6 H16 M6x20  x4 |
| 3 C3-B  x2 | 7 H11 St5x10  x4 |
| 4 C5  x4 | |

STEP 12 Installation of the Sunroof



Tip: The side marked with the 'UV' logo is facing up



1. Secure the A22-1 to the sunroof with the screws of H20.

2. First H15 is inserted into the A3 card slot as shown in the figure, and then B6 is inserted

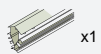
3. Secure the sunroof support rods A22-2 and A22-1 together

B6 installation video



List:

1. A3



4. A22-1



2. B6



5. A22-2



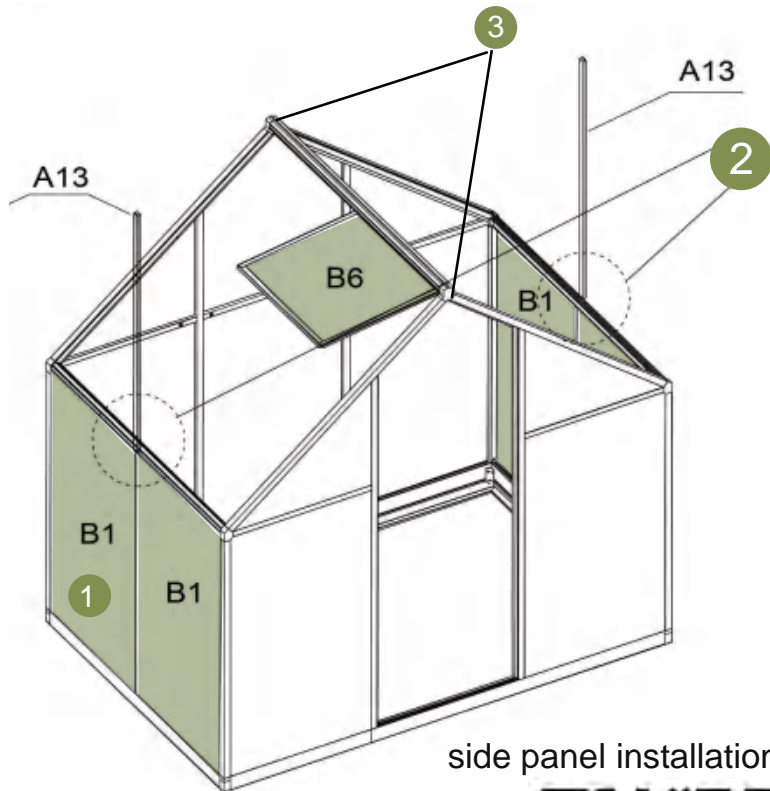
3. H15



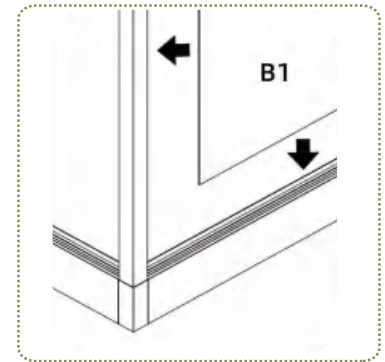
6. H20 ST4x10

x2

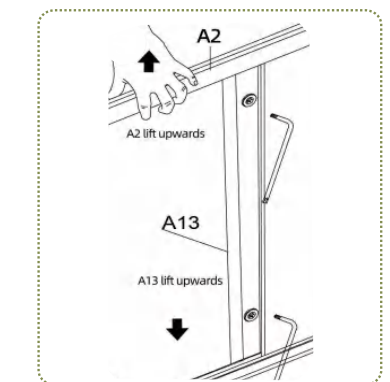
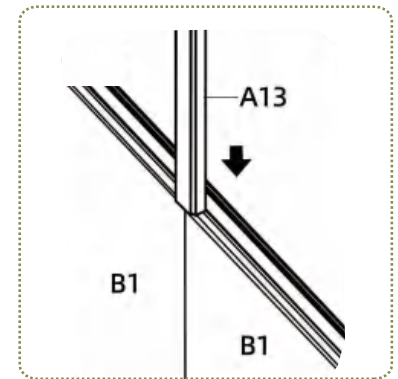
STEP 13 Installation of the Side Panels



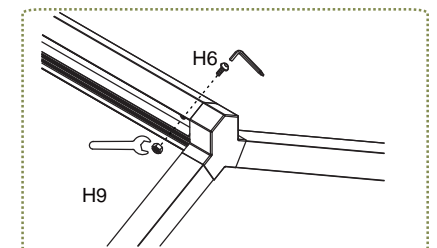
side panel installation video



1. B1 inserts the A1 and A4 card slots







2. Insert A13 from the gap between two B1 pieces all the way to the bottom, lift A2 a little bit upwards, and push A13 into the fixed slot, and finally



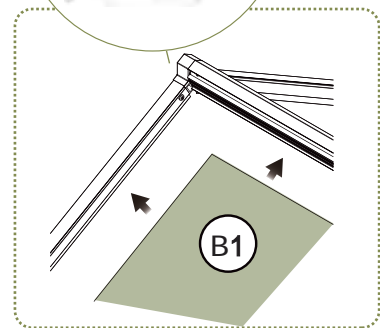
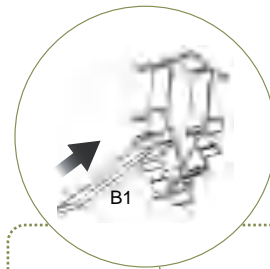
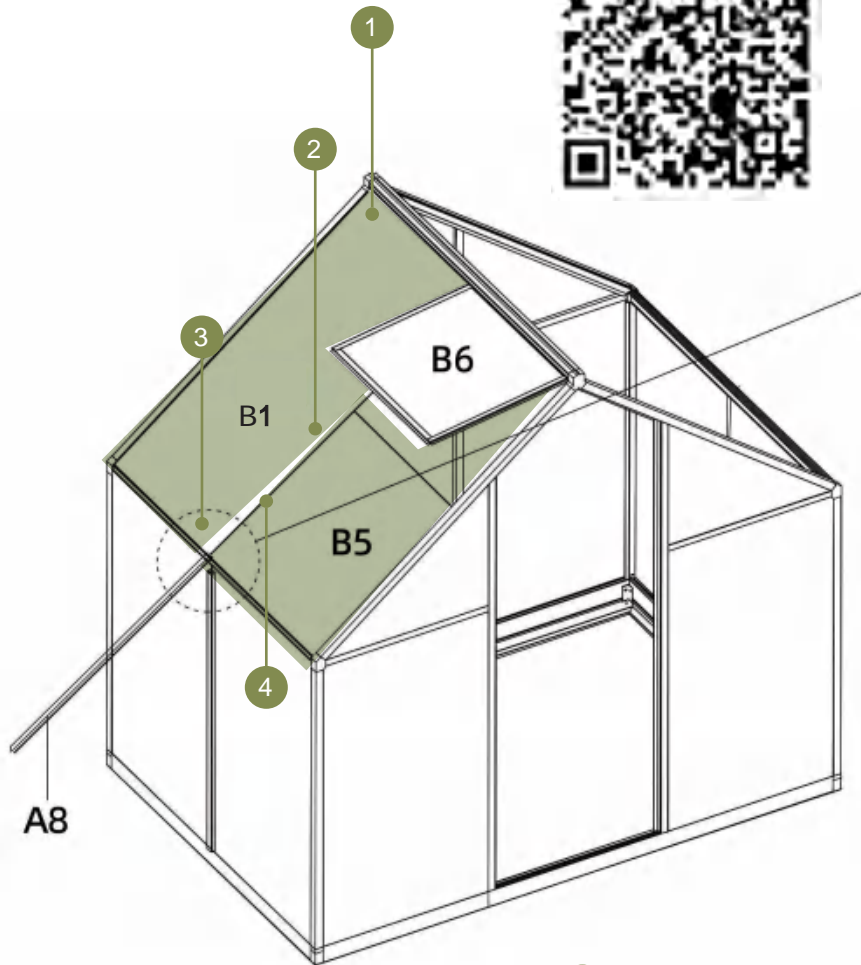
3. A3 is inserted into H3 and fixed with H6.

List:

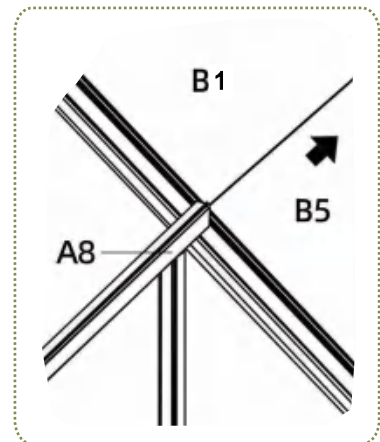
- | | |
|--|---|
| 1. A13  x2 | 3. H9 M6  x2 |
| 2. H6 M6x30  x2 | 4. B1  x4 |

STEP 14 Installation of the Top Panels

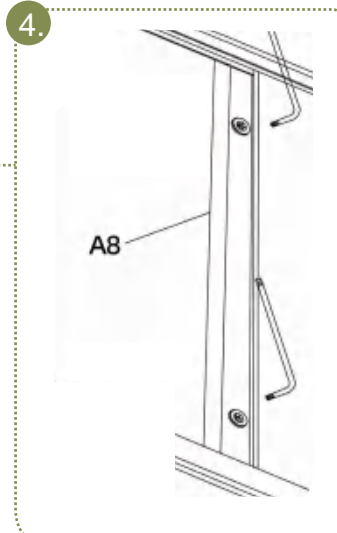
top panel installation video



1. The position of the top beam slot of the PC board B9 is shown in the figure
2. The B5/B1 installation is shown in the figure






3. Insert A8 from the gap between B1 and B5 to the top, push A2 out a little, so that A8 fits into the fixed position and lock the latch.

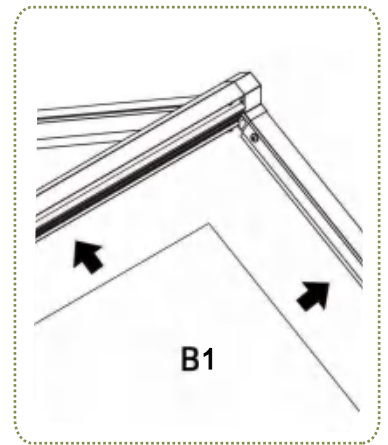
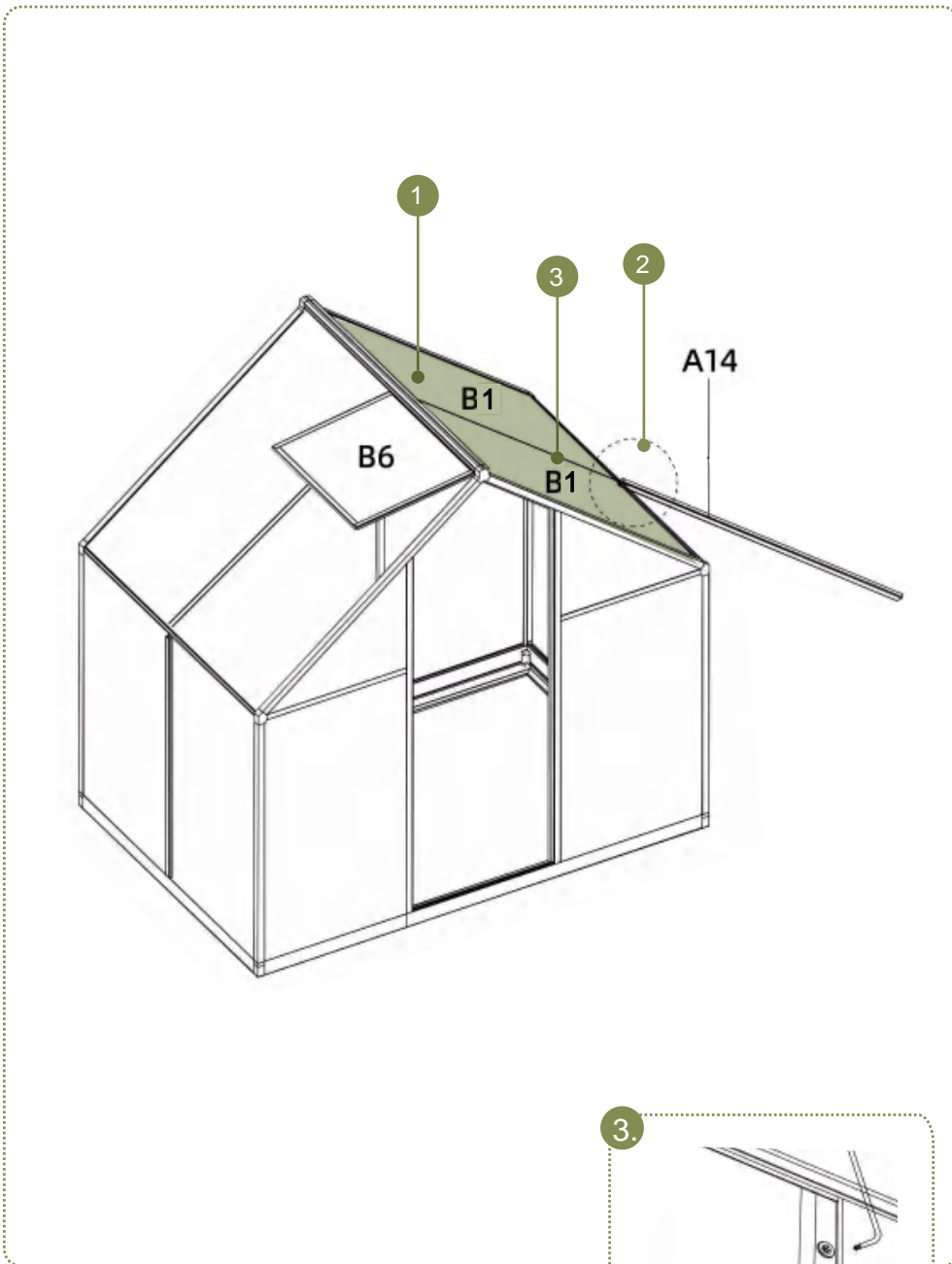


As shown in the picture,
Tighten the lock

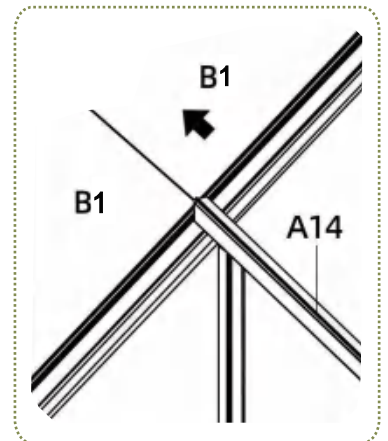
List:

- 1 A8  x1
- 2 B1  x1
- 3 B5  x1

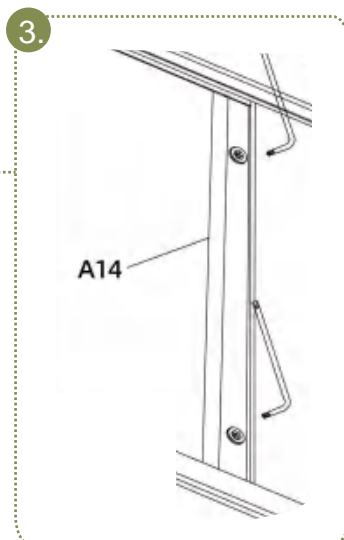
STEP 14 Installation of the Top Panels



1. The position of the top beam slot of the PC board B1 is shown in the figure



2. Insert A14 from the gap between B1 pieces to the top, push A2 outward a bit so that A14 locks into place.





top panel installation video

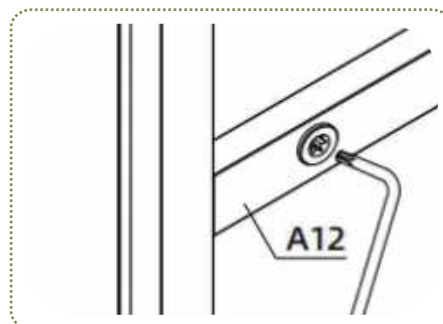
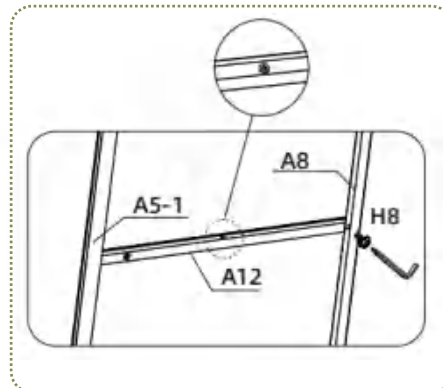
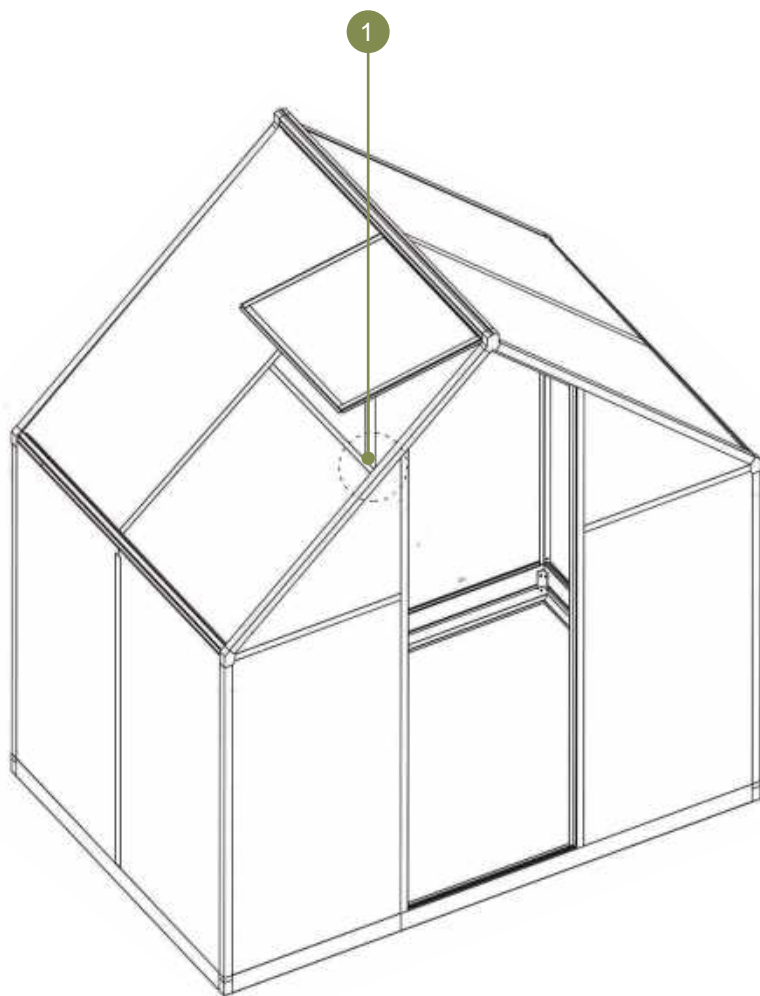


As shown in the picture, Tighten the lock

List:

- 1 A14  x1
- 2 B1  x2

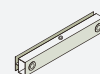
STEP 15 Installation of A12



1. Insert A12 into A5-1 at one end and A8 at the other end.

List:

1 A12



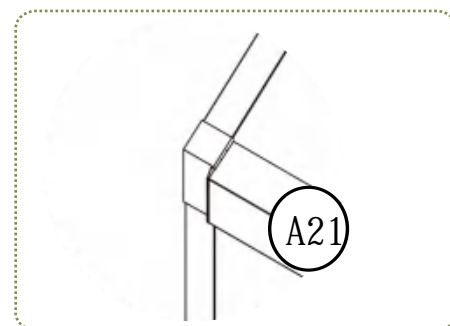
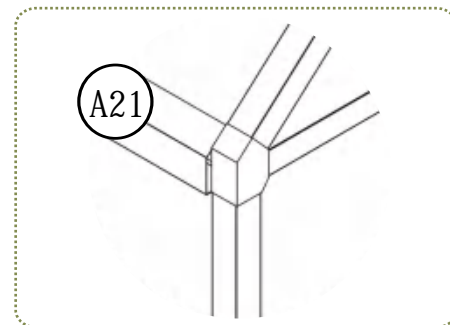
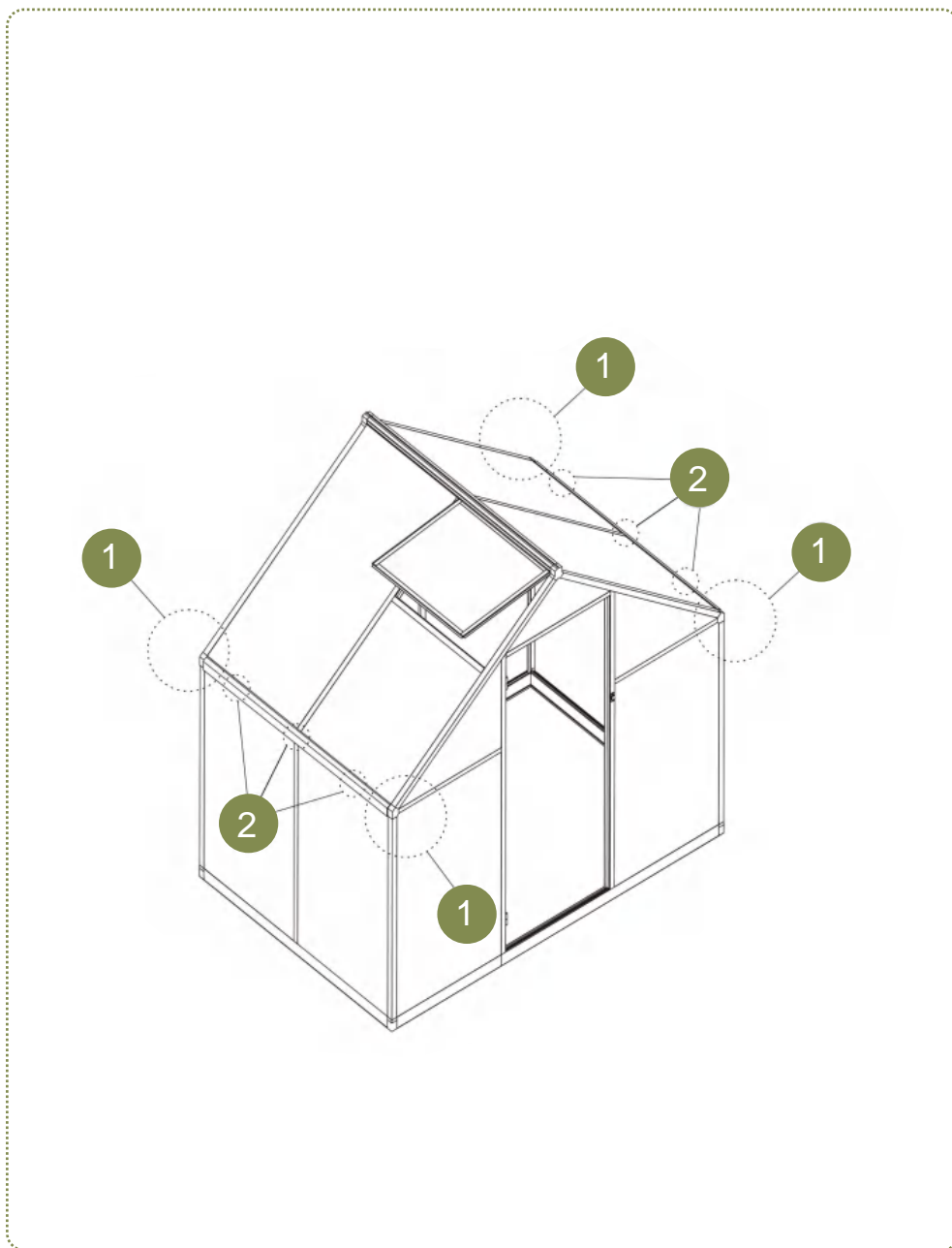
x1

2 H8 M6X12

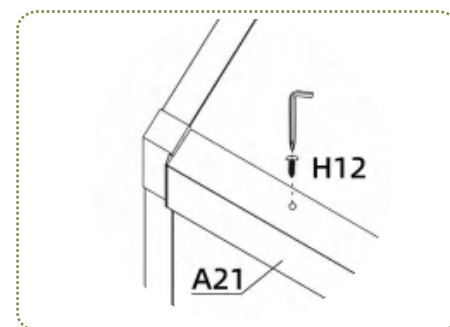


x1

STEP 16 Installation of A21



1. A21 buckles on both sides as shown in the picture



2. Fix A12 with H12

List:

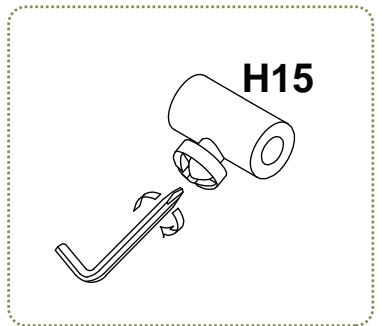
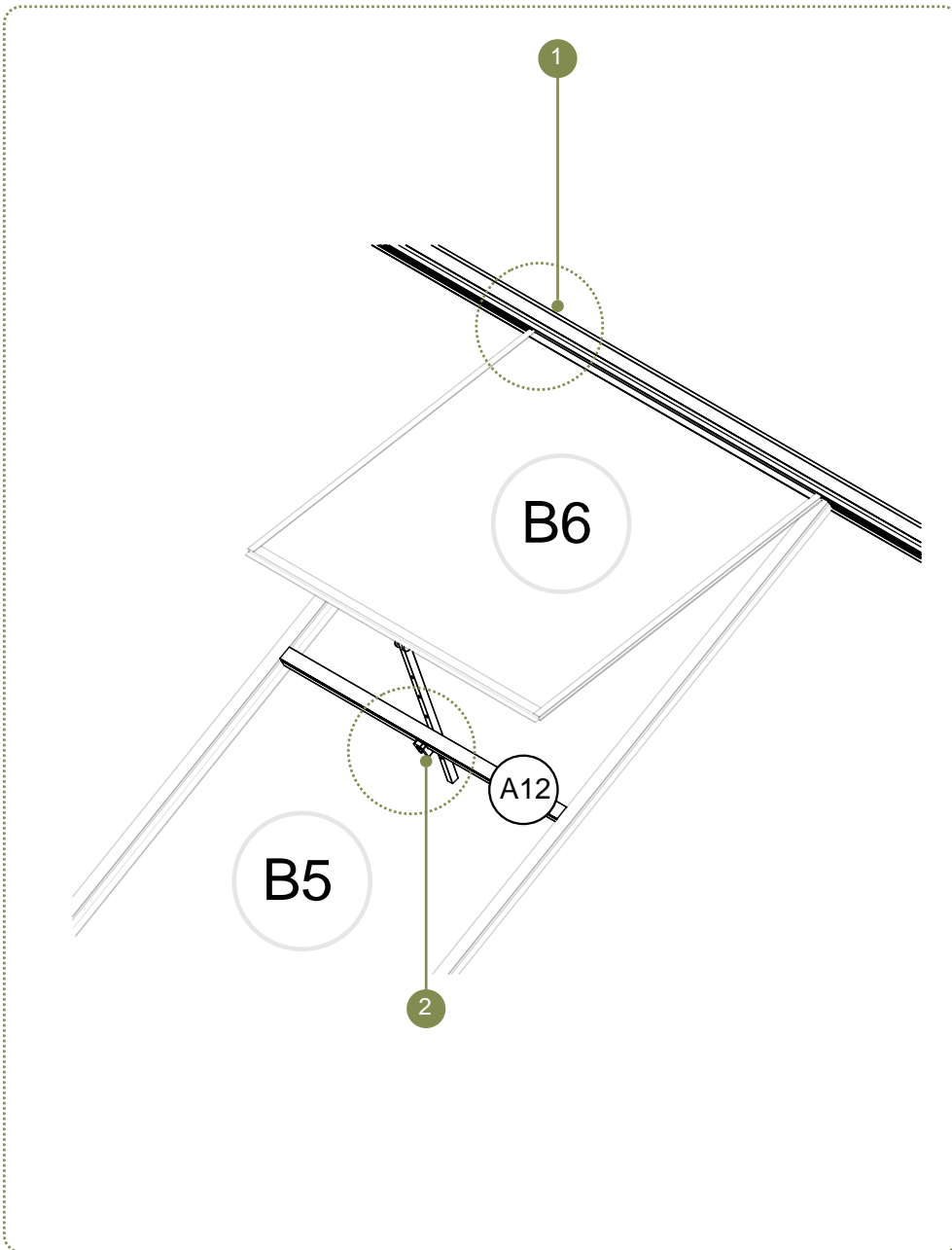
1 A21



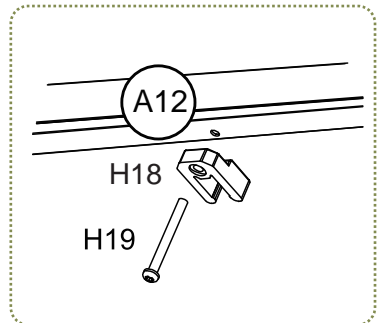
2 H12 ST5X16



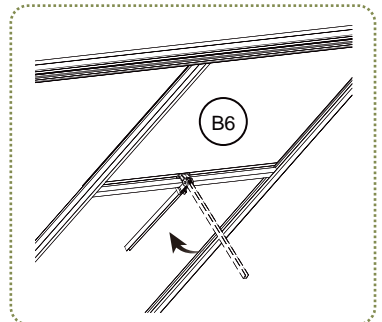
STEP 17 Installation of the Sunroof Fixing Rod



1. Use a screw driver to tighten the H15



2. Install H18 onto A12 and secure with H19



3. Adjust the sunroof fixing rod to the center point of the buckle

List:

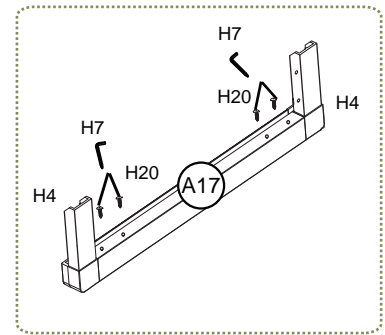
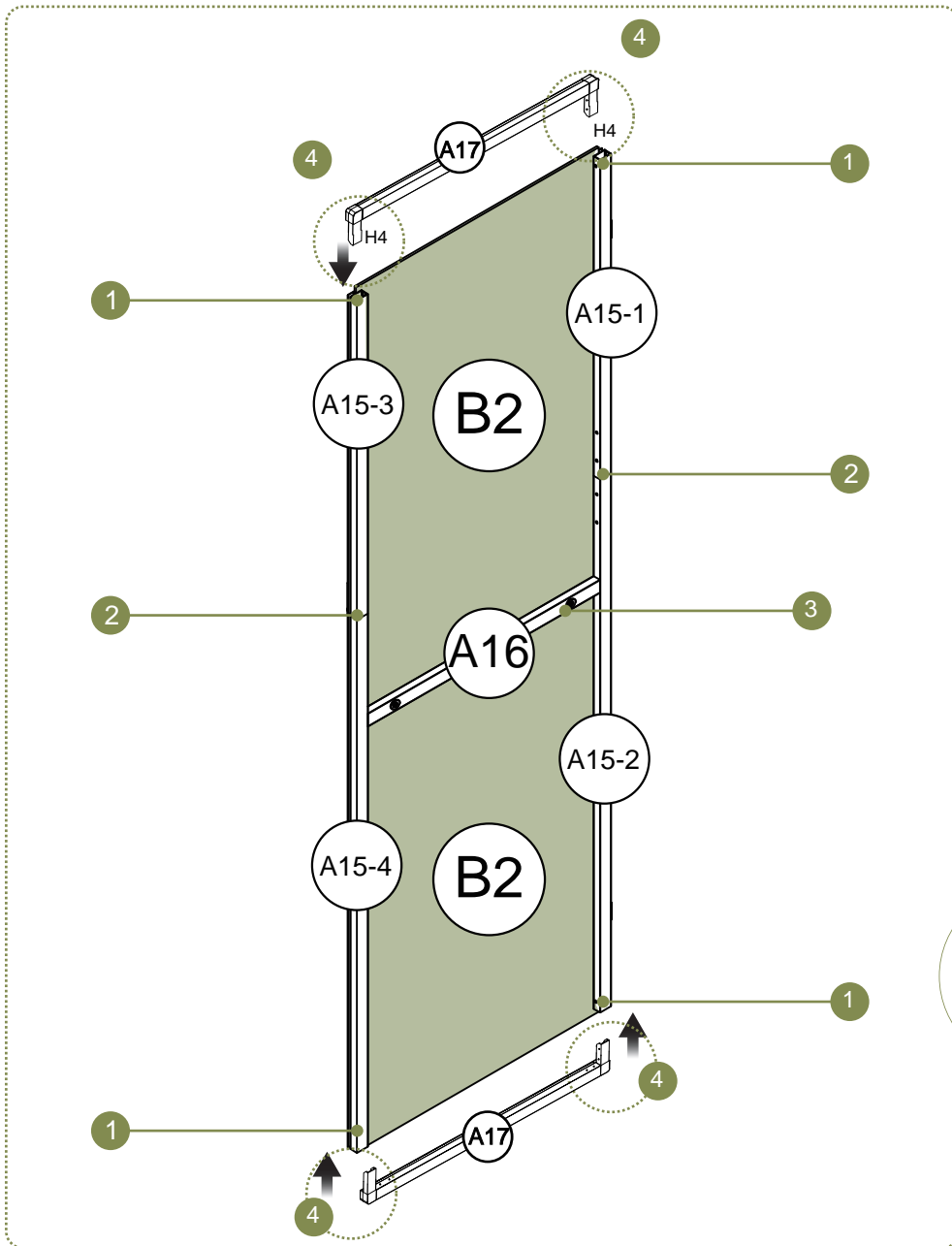
1 H18



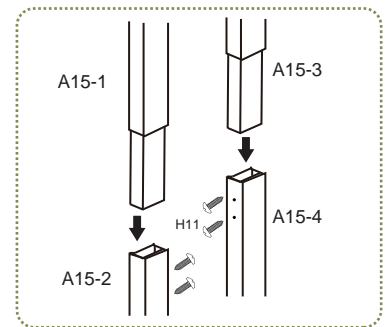
2 H19 M4x38



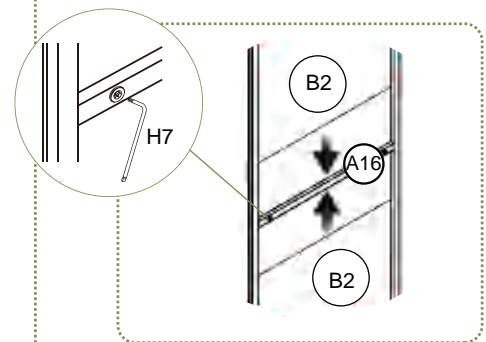
STEP 18 Installation of the Door frame



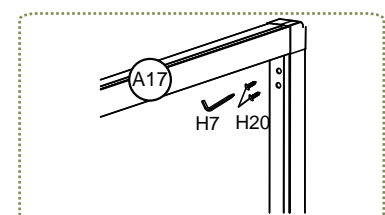
1. First, install H4 onto A17 and secure it with H20



2. Connect A15-1 to A15-2, A15-3 to A15-4, and secure with H11



3. Insert the A16 end into the door frame separately, insert the B2 panel into the card slot in the direction shown in the figure, and then tighten the lock

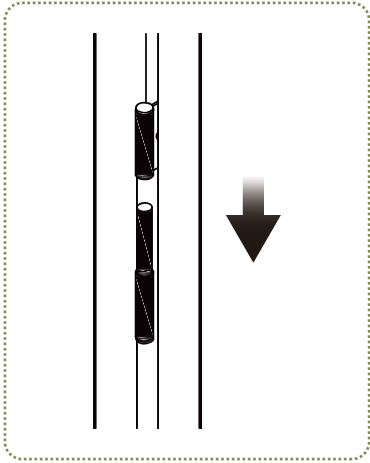
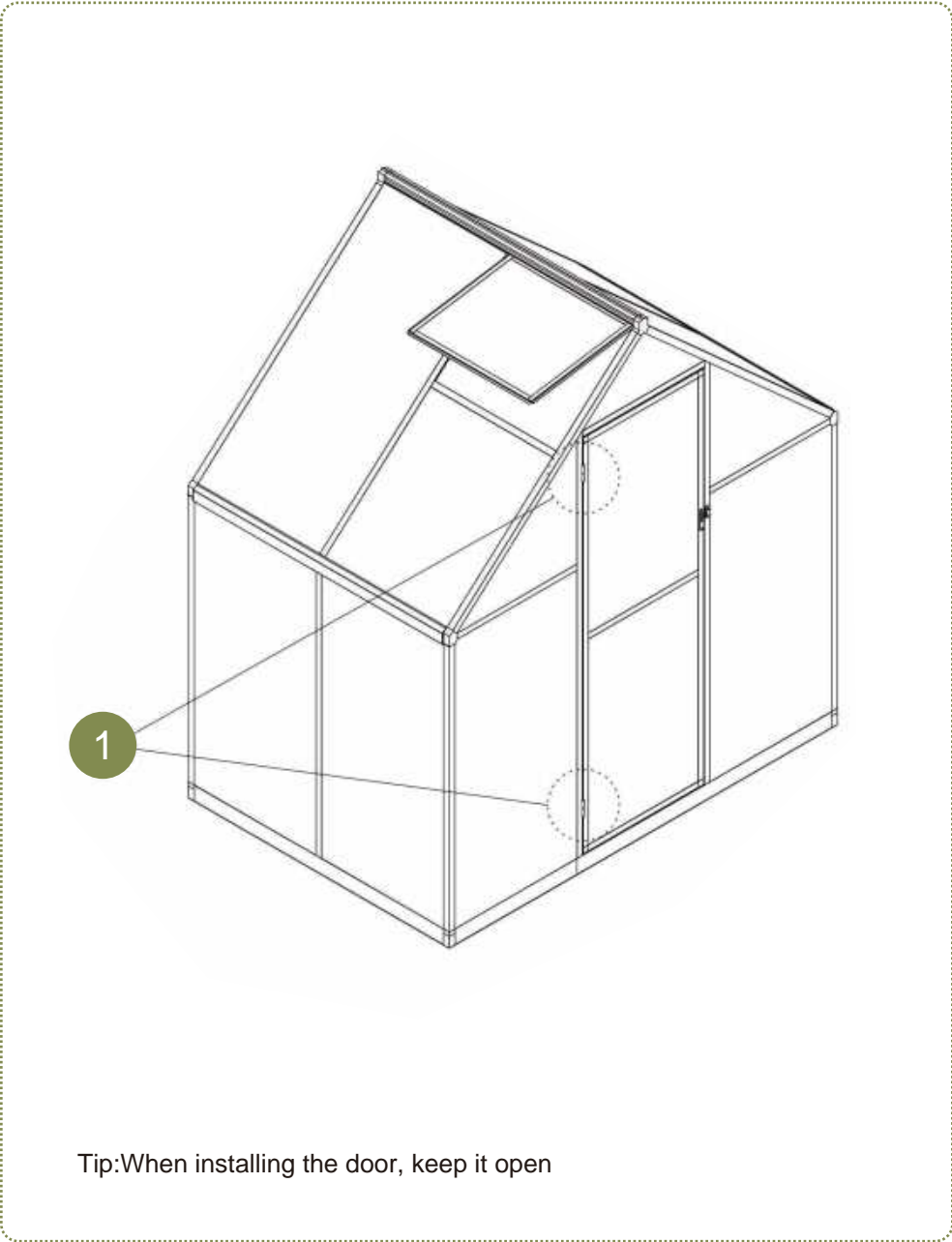


4. Tighten screw H20

List:

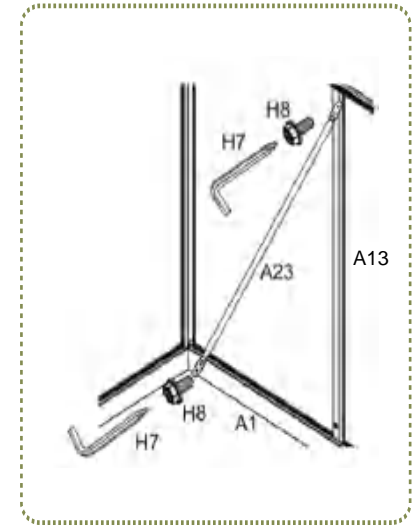
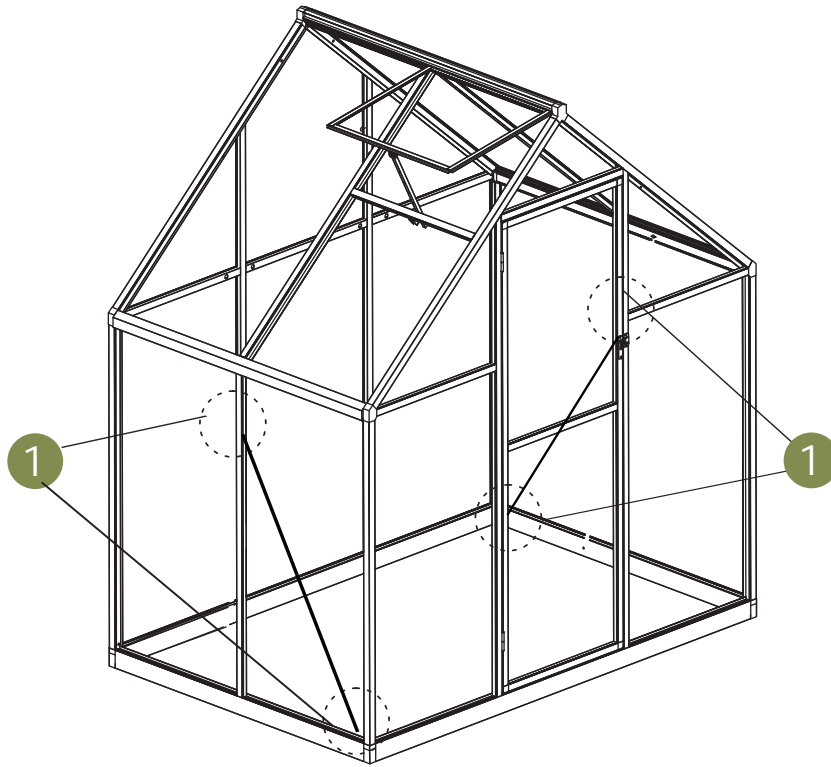
1 A17	x2	5 A15-4	x1	9 H11 St5x10	x4
2 A15-1	x1	6 B2	x2	10 H7	
3 A15-2	x1	7 H4	x4		
4 A15-3	x1	8 H20 St4x10	x16		

STEP 19 Installation of Door Hinges



1. The door and door frame are assembled together using hinges

STEP 20 Installation of the Support Rods



1. Secure the A23 support bar to A1-3 and A13

Tip: When installing the door, keep it open

List:

1 A23



x2

2 H8 M6x12



x4



Maintenance

1. Why is it important to clean the PC board regularly?

To protect the UV coating:

PC panels typically have a UV-protective coating. Without regular cleaning, buildup of dust, bird droppings, acid rain, and other pollutants can wear down this layer over time, leading to yellowing, brittleness, and faster aging of the material.

To maintain light transmittance:

Accumulated dirt can obstruct light, potentially reducing transmittance by 10%–30%. This may interfere with sunlight exposure in sunrooms, affecting plant growth and temperature control.

To prevent chemical corrosion:

Bird droppings and industrial pollutants often contain acidic substances that can directly corrode the surface of the panel, leaving permanent stains or causing micro-cracks.

To avoid mechanical damage:

When sand, gravel, or other hard particles adhere to the surface, strong winds or heavy rain can cause them to scrape against the panel, potentially leading to scratches and reduced impact resistance.

2. The Downside of Not Cleaning

Question Type	Specific impact	Long-term risks
Light Transmission Reduction	As natural light decreases, supplemental lighting may be needed, resulting in higher energy usage.	Reduced light transmittance can hinder plant photosynthesis and decrease the efficiency of indoor temperature regulation.
Accelerated Aging	The panel may yellow and become brittle, reducing its lifespan from 10–15 years to as little as 5–8 years.	The structural strength may decline, making the panel more prone to cracking or deformation.
Reduced Appearance	Stains on the surface can make the building look less appealing.	The longer stains stay, the harder they are to clean—and some may become permanent.
Loss Of Function	Reduced heat insulation and impact resistance.	Higher risk of damage during extreme weather, such as hail or storms.



Maintenance

3. Recommended Cleaning Guide

Frequency:

• Clean every 3-6 months.

(Clean more often - every 1-2 months - if you live in a dusty area, rainy climate, or near industrial sites).

How to Clean:

1. Wipe with a soft cloth or sponge soaked in warm water and a mild detergent (like dish soap).
2. For stubborn stains, gently wipe with isopropyl alcohol; avoid strong solvents such as acetone or ammonia.
3. When rinsing, avoid using high-pressure water jets directly on the surface to prevent coating damage.

Important Don'ts:

- ✘ **Hard brushes and steel wool can scratch the surface.**
- ✘ **Dry wiping can worsen scratches due to increased friction.**