

If you need parts simply email us with your order number, the parts you are requesting, and your shipping address. All parts are shipped with a tracking number in 1 to 3 days. Simply email us at and we will have the parts on the way to you shortly. There are 2 ways to hang this chandelier.

(A) Chain mount

(B) Semi-flush mount

Installation instructions

Do not hang the crystals on the chandelier until the chandelier is hanging from the ceiling. If you do this it will be very heavy. You must add the crystals after it is hung.

- 1) Disconnect the power supply to your electrical box prior to installation.
- 2) Use the wall anchors to help support the spine of the cross bar.
- 3) Failure to use the wall anchors will cause a gap where the canopy meets the ceiling.
- 4) Failure to use the wall anchors may cause your chandelier to fall from the roof.
- 5) Follow diagram A for hanging method. Please select the A canopy plate indicated in the diagram. You will use this plate as well as another plate to hang this method

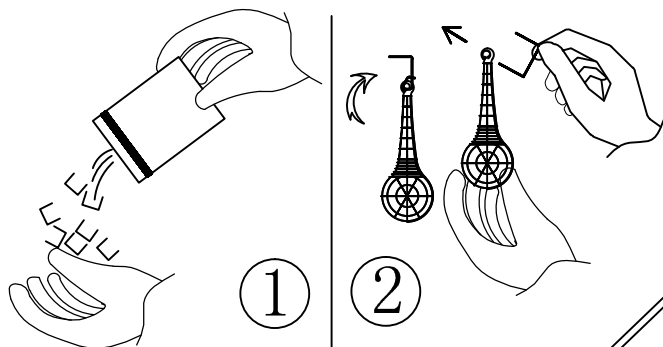
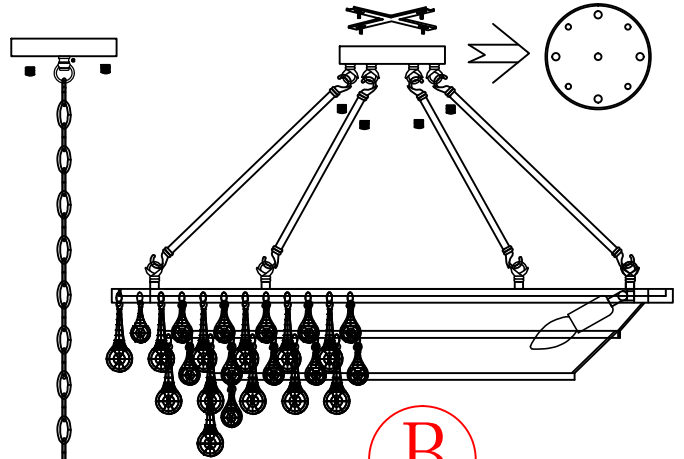
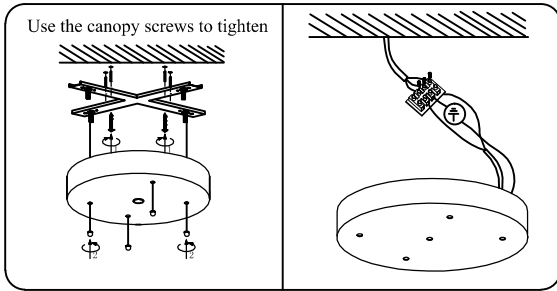
(Insert drawing A)

- 6) Follow diagram B for the Semi Flush mount method. In this method you will select only one canopy for your installation. Select canopy B for this method. (You will have two canopies left over if you use the semi flush hanging method)

(insert drawing B)

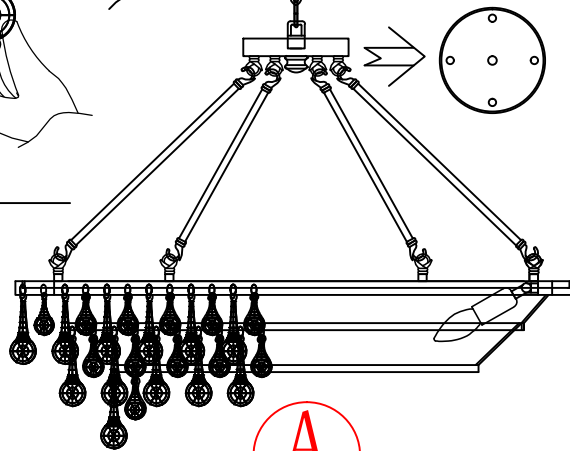
- 7) For the electrical connection. Connect your live wire from your electrical box to one of the chandelier wires. Connect your neutral wire to the other wire from our chandelier. NOTE: it does not matter which wire you select first from our chandelier. Our wires are interchangeable.

Ø800X580

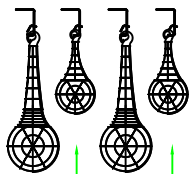


1

2



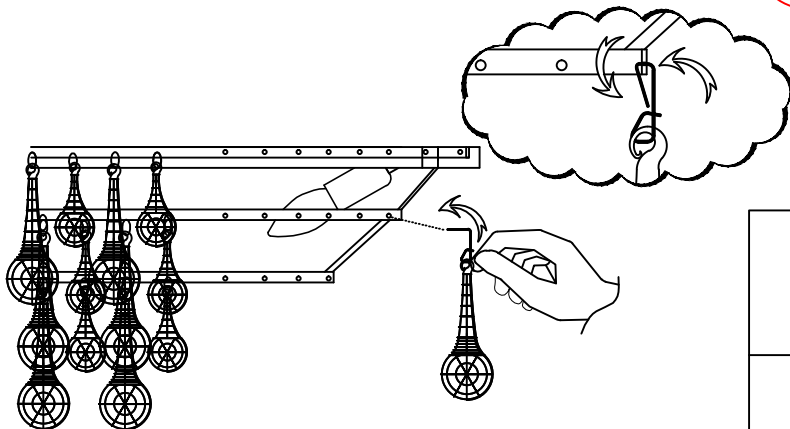
3





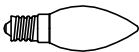
A B A B

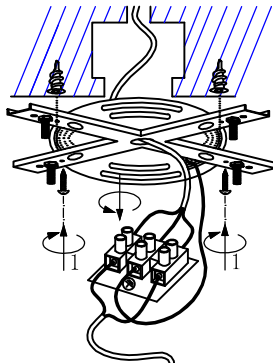
A

B



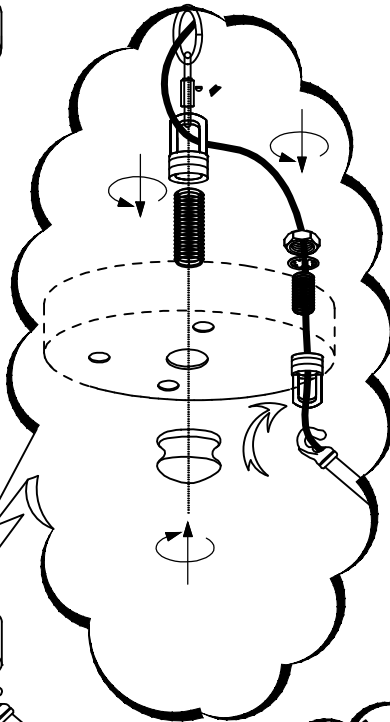
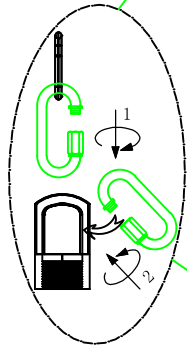
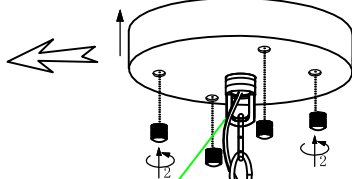
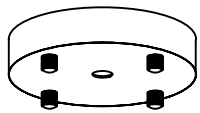
LIGHT BULBS NOT INCLUDED

| | | |
|--|---------|--------|
|  | Ø37x100 | 114pcs |
|  | Ø30x60 | 114pcs |
|  | E12 | 10pcs |

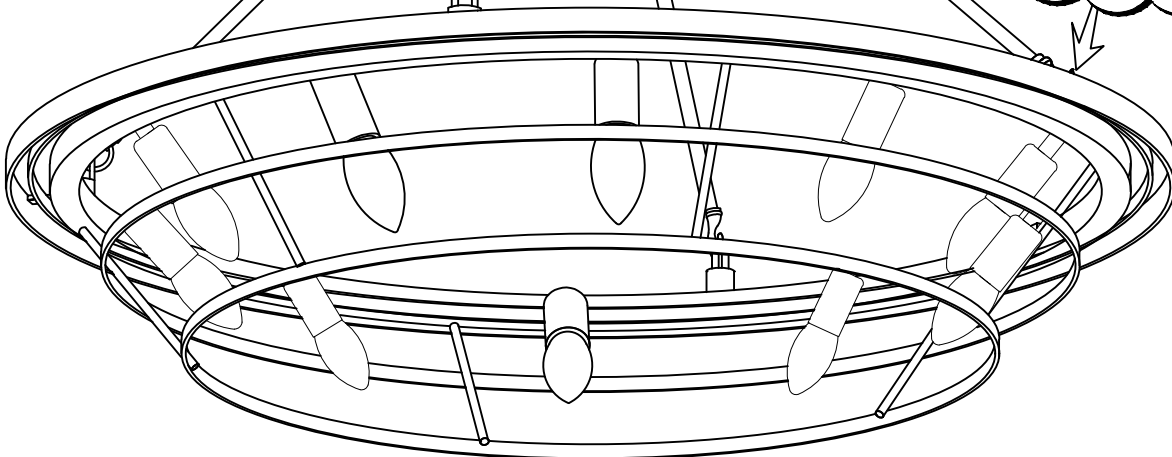
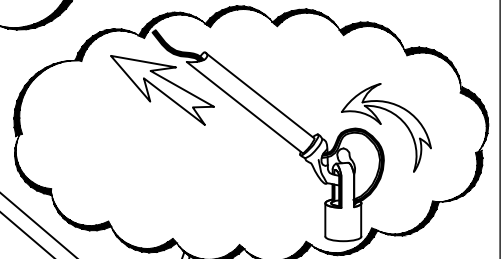
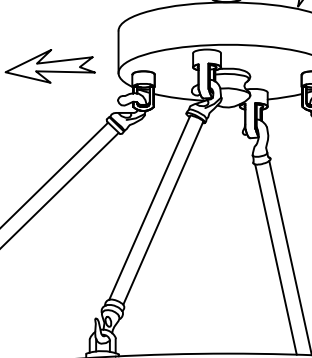
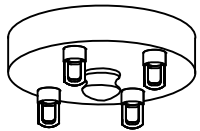


1) For the electrical connection. Connect your live wire from your electrical box to one of the chandelier wires. Connect your neutral wire to the other wire from our chandelier. NOTE: it does not matter which wire you select first from our chandelier. Our wires are interchangeable. Connect your ground to the ground from our canopy.

A



A



1) For the electrical connection. Connect your live wire from your electrical box to one of the chandelier wires. Connect your neutral wire to the other wire from our chandelier. NOTE: it does not matter which wire you select first from our chandelier. Our wires are interchangeable. Connect your ground to the ground from our canopy.

