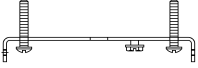
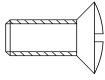


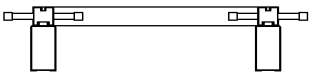
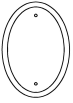
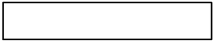
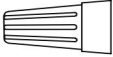


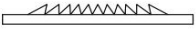



Assembly Instructions

Parts and Tools

A	Mounting Bracket		X 1
B	Screw		X 2
C	Canopy		X 1
D	Pipe		X 3
E	Lamp Body		X1
F	Glass Plaques		X 16
G	Sticks		X 8
H	Wire Connector		X 3
Z1	Nut for A (Spare Parts)		X 1
Z2	Nut for A (Spare Parts)		X 2
Z3	Non Slip Washer for A (Spare Parts)		X 1
Z4	Non Slip Washer for A (Spare Parts)		X 2

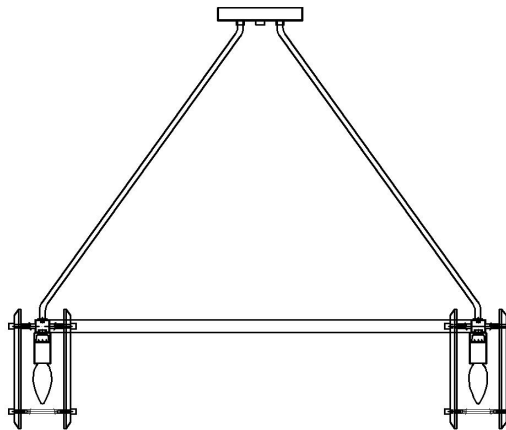
Before beginning

- 1) Check and open the numbered packaged bags.
- 2) Read this Assembly Instructions from beginning to end before starting to assemble.
- 3) Take an inventory of the required parts to ensure all are available.
- 4) Assemble the separated parts according to the illustration with the providing tools.
- 5) To prevent accidental choking hazards, keep all packing materials away from small children.
- 6) Only tighten hardware until ALL hardware are fully engaged on their locations. Overtighten bolts will damage the bolt threads.
- 7) Use only factory provided hardware to assemble. Unapproved hardware can damage product or jeopardize the structural integrity of the product.
- 8) The use of power tool to assemble is not recommended due to high risk of over-torque, which can damage the product.

WE RECOMMEND INSTALLATION OF THIS LIGHTING FIXTURE BE DONE BY A LINCENSED ELECTRICIAN.

WARNING*SWITCH OFF THE MAIN ELECTRICAL SUPPLY FROM THE MAIN FUSE BOX/CIRCUIT BREAKER BEFORE INSTALLATION.**

Please make sure power is shut off!



ASSEMBLY REQUIRES
TWO PEOPLE



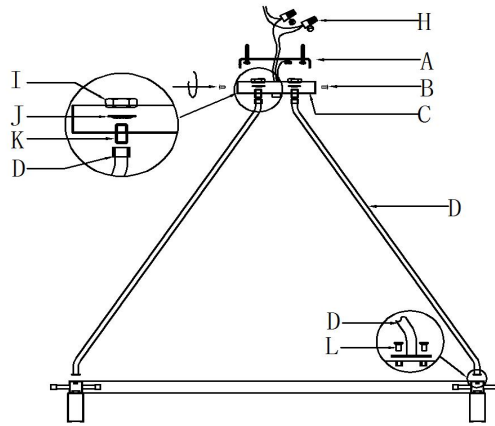
20 MINUTE
ASSEMBLY TIME



KEEP INSTRUCTIONS
FOR FUTURE USE

Assembly Instructions

1

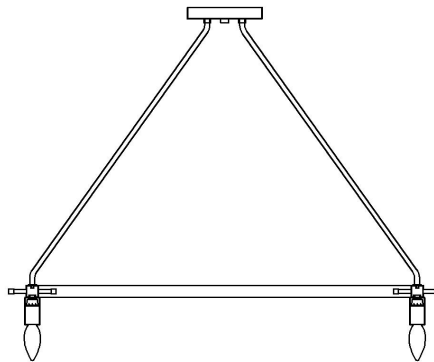


- 1) Remove the mounting bracket (A) from the canopy (C) by loosening the side screws (B).
- 2) Install the 3 pipes(D) in the canopy (C) with the parts (I) (J) (K) and then fix the 3 pipes (D) and the one pole with cable in the right points on the body circle ring with the screws (L) according to the illustration.
- 3) ENSURE THE ELECTRICITY SUPPLY IS TURNED OFF BEFORE PROCEEDING.
- 4) Affix the mounting bracket (A) on the outlet box.
- 5) Hold the lamp body and wrap both safety cables with wire connectors (H), push the cable into the outlet box.
- 6) Attach the canopy (C) to the mounting bracket (A) and secure with screws (B).

2

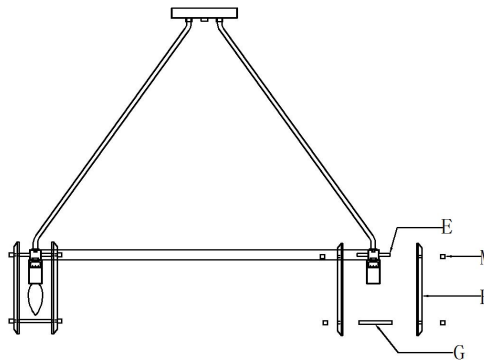


E12 Max 40W



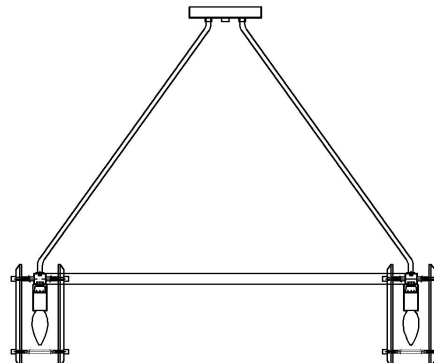
- 1) Install the bulbs (Not Included), gently hold the bulb firmly and turn clockwise until secured.

3



- 1) Install the glass plaques (F) on the bars (E) with the sticks (G) and screw nuts (M) according to the illustration.

4



- 1) Once the installation is complete, remember to turn on the power at the fuse or circuit breaker.
- ***Clean with a dry, soft cloth only, use no harsh abrasives or chemical agents***