

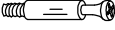





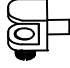


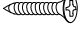
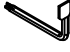

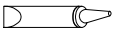



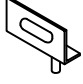



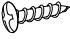
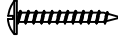


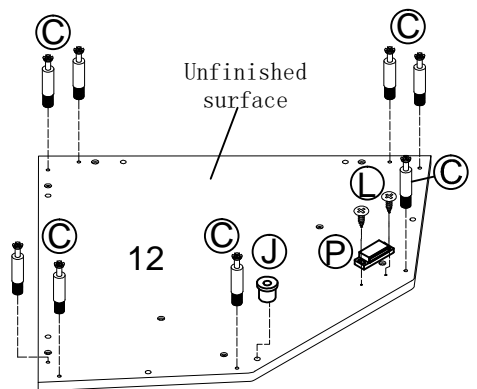
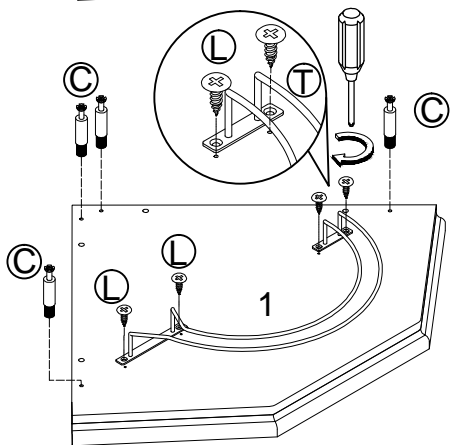
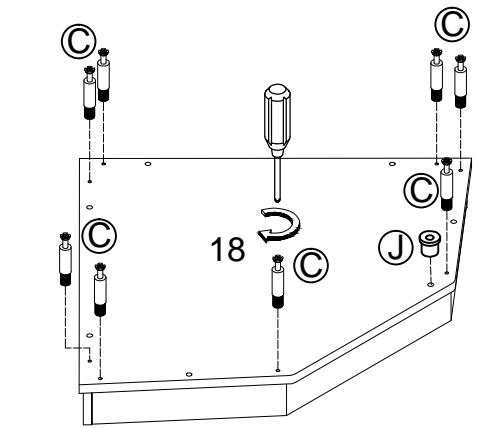
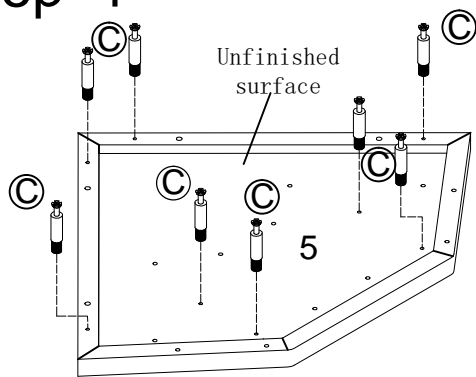


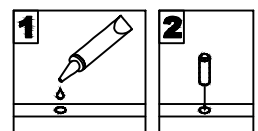
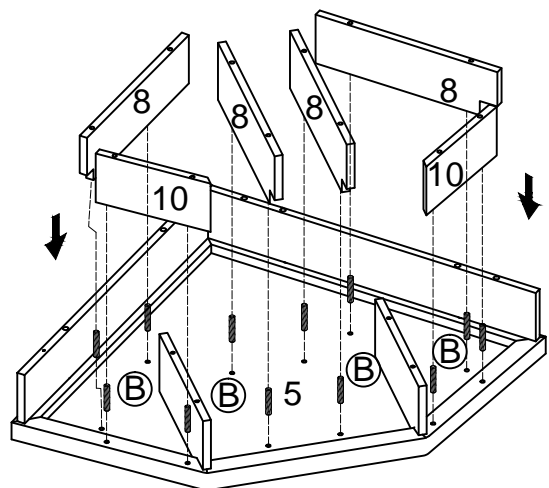
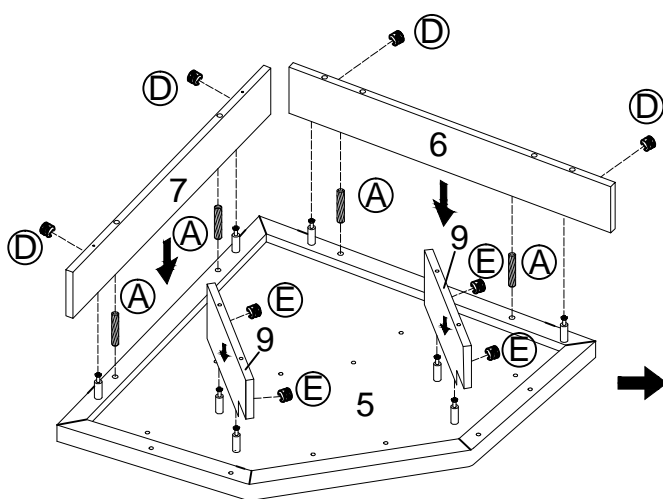
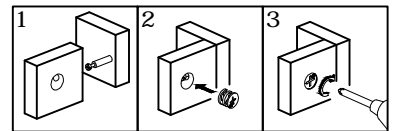
Hardware List

A		Ø8x30mm	wooden dowel	36 pcs
B		Ø6x30mm	wooden dowel	24 pcs
C		Ø6x35mm	Cam bolt	38 pcs
D		Ø15x11mm	Cam lock	34 pcs
E		Ø15x9mm	Cam lock	4 pcs
F		Ø8x5x16mm	Shelf support pin	4 pcs
G			Handle	1 pcs
H		Ø9x4x22mm	Bolt	1 pcs
I			Glass support	3 pcs
J		Ø8*12	Door shaft support	2 pcs
K		Ø25mm	paper cover	38 pcs
L		Ø3.5x15mm	Flat head Screw	6 pcs
M		M4	Tool	1 pcs
N		Ø3x15mm	Screw	4 pcs
O			Glue tube	1 pcs
P			Magic catch	1 pcs
Q		30*22*1 / Ø3*12mm	Magic catch plate	1 set
R		40*16.5*15	Hinge	1 pcs
S		40*16.5*15	Hinge	1 pcs
T			Wine rack	1 pcs
U		Ø4x44mm	Fast screw	14 pcs
V		Ø4x19mm	Fast screw	6 pcs
W		Ø9*4*12mm	Screw	2 pcs
X		Ø9*4*26mm	Screw	2 pcs
Y		150*25mm	Wall strap	2 pcs
Z		Ø7*30mm	Plug	2 pcs

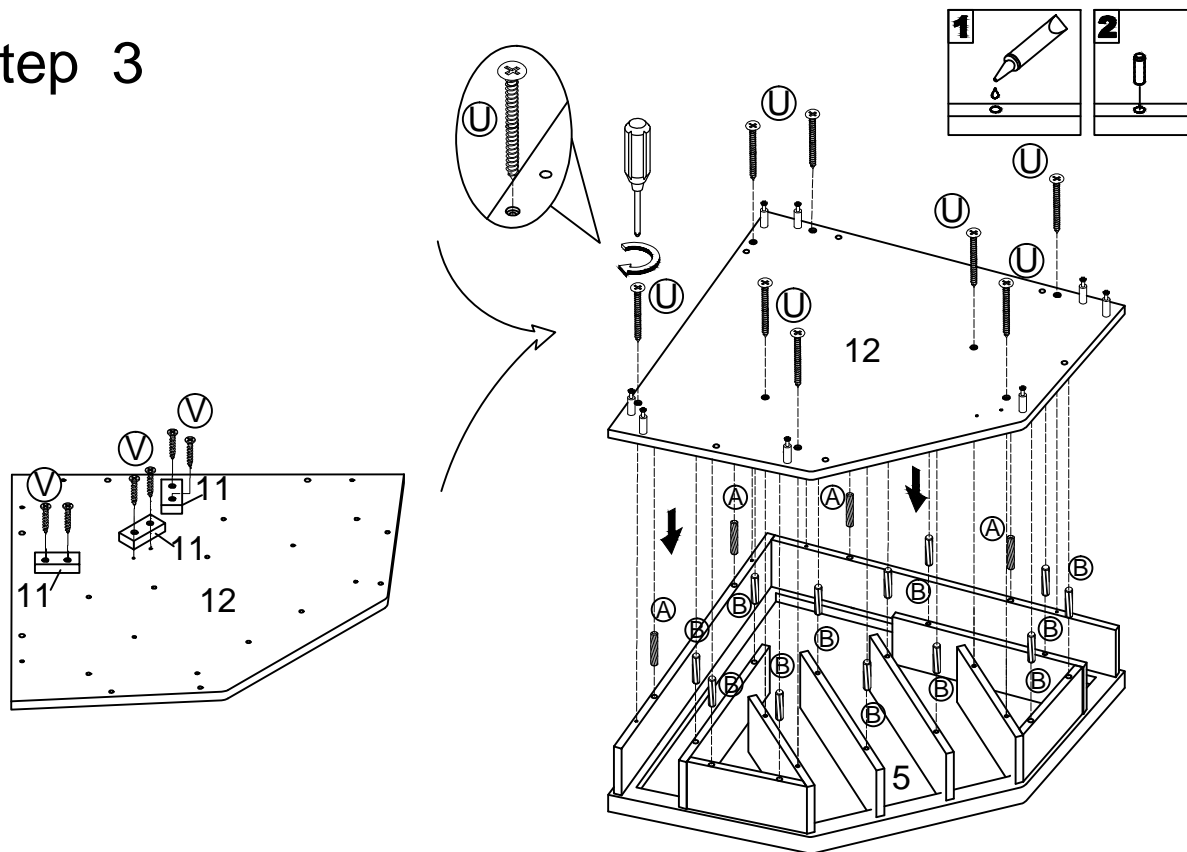
Step 1



Step 2

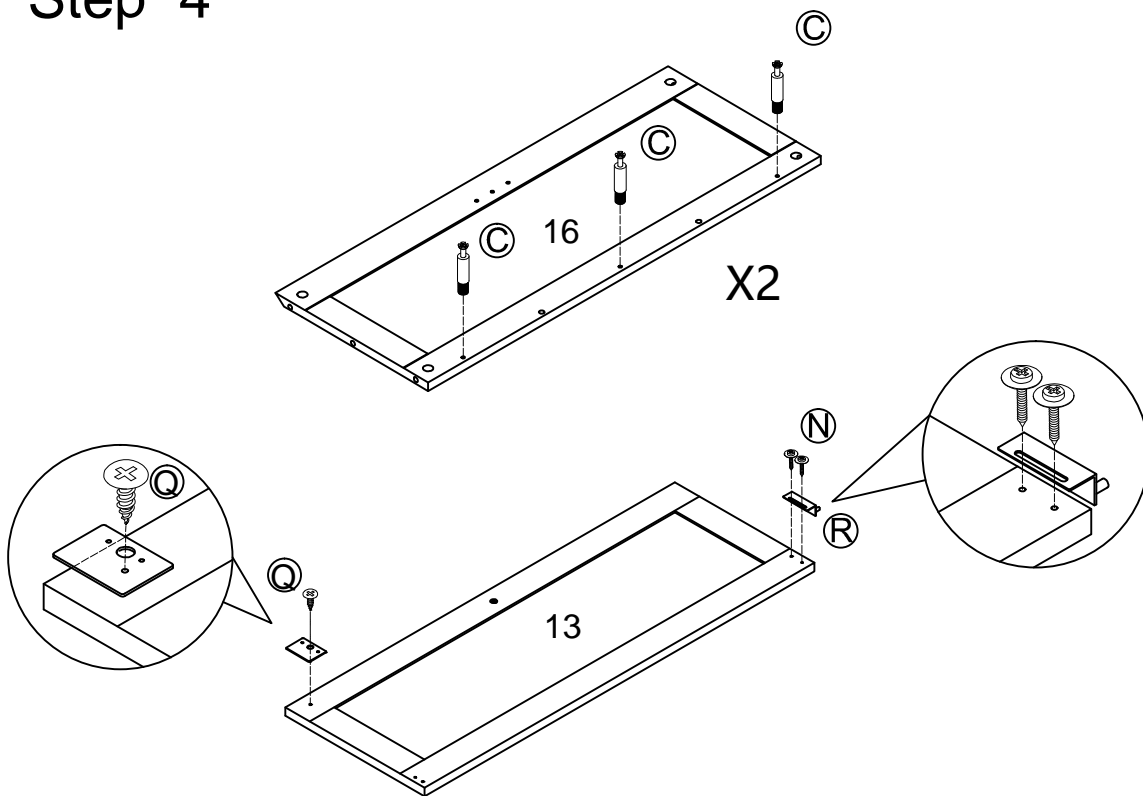


Step 3

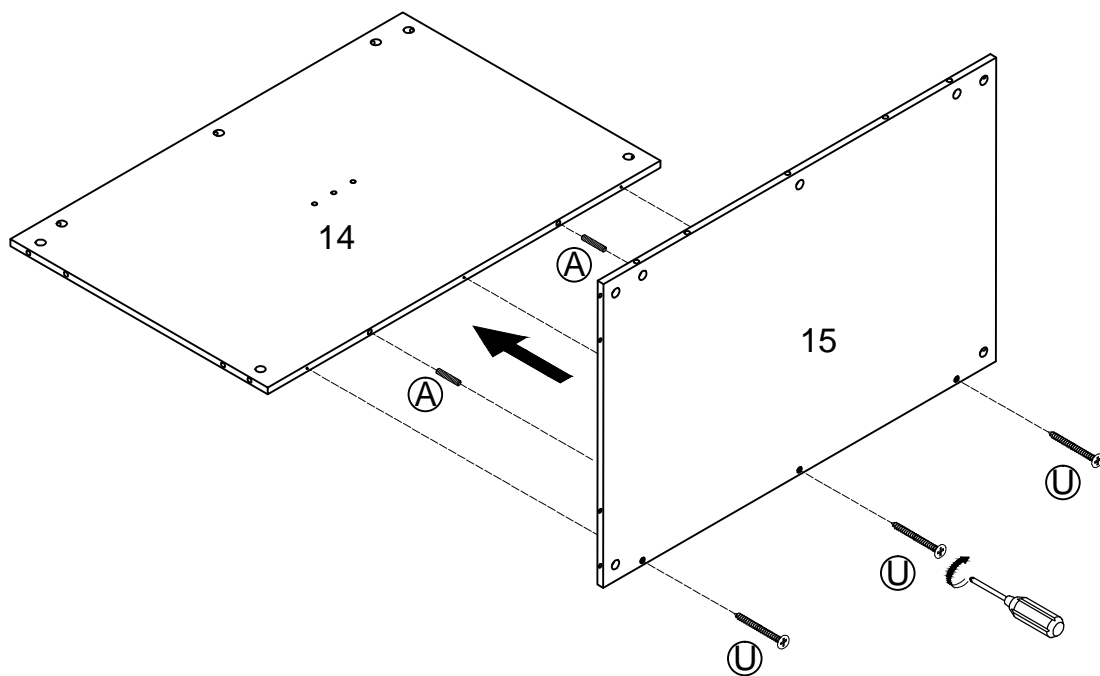


Notice: the step is useful two wooden dowel

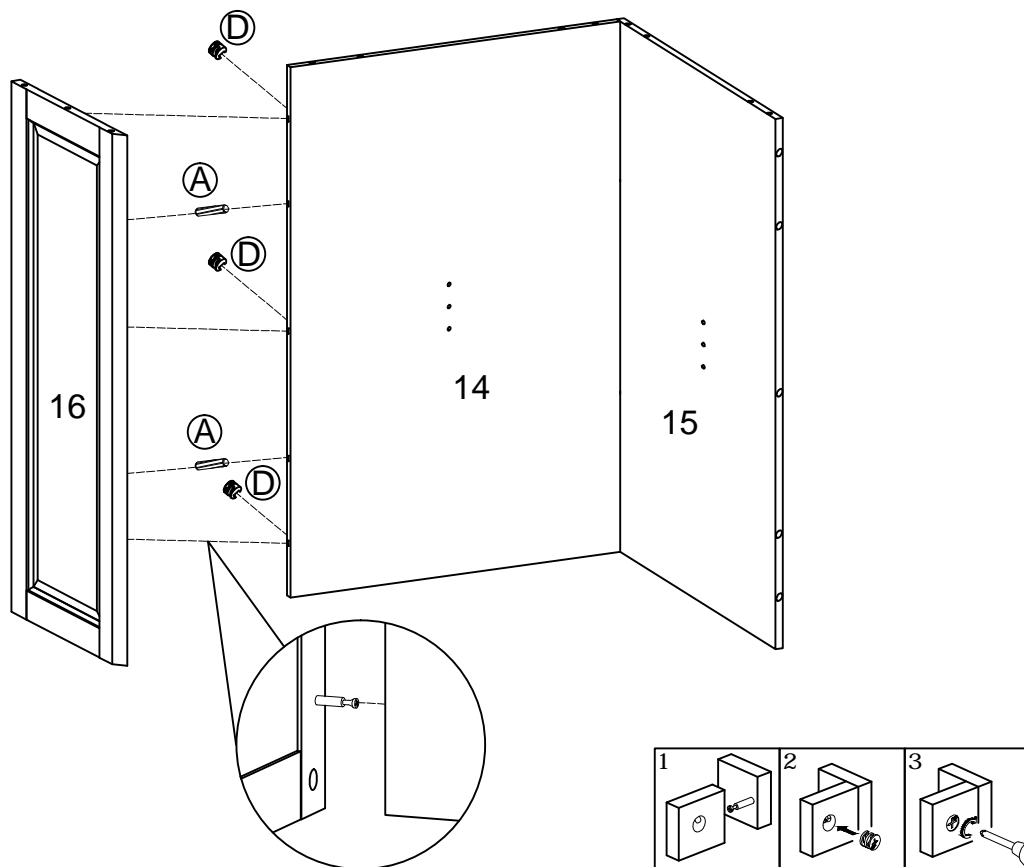
Step 4



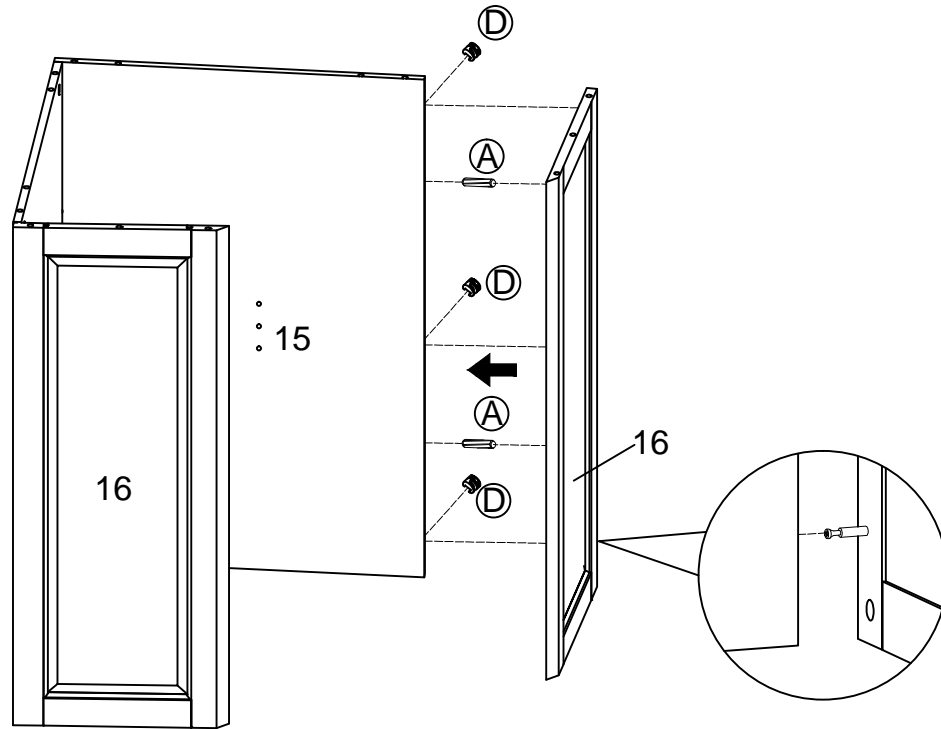
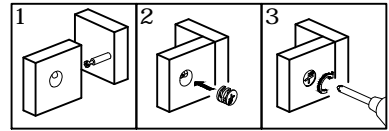
Step 5



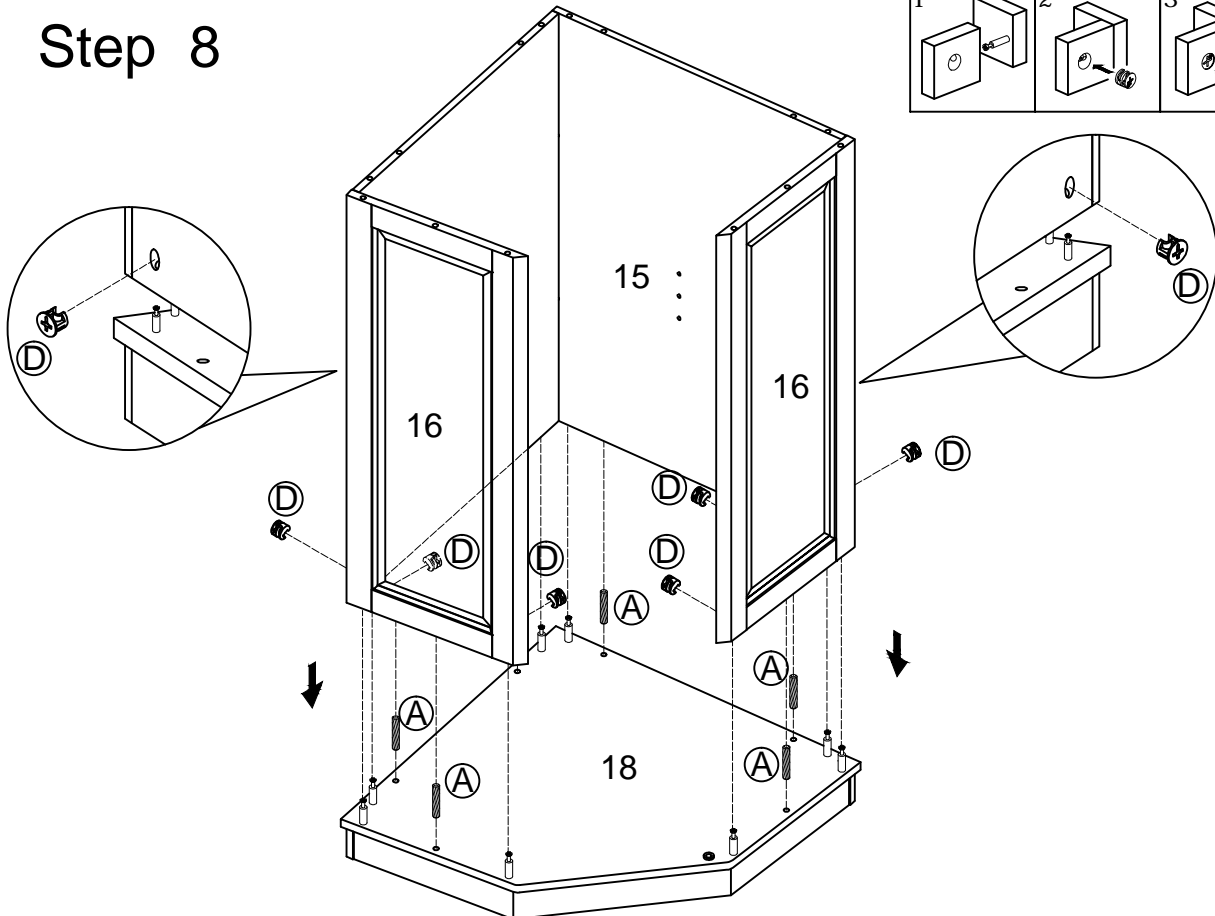
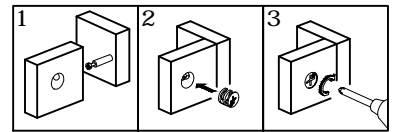
Step 6



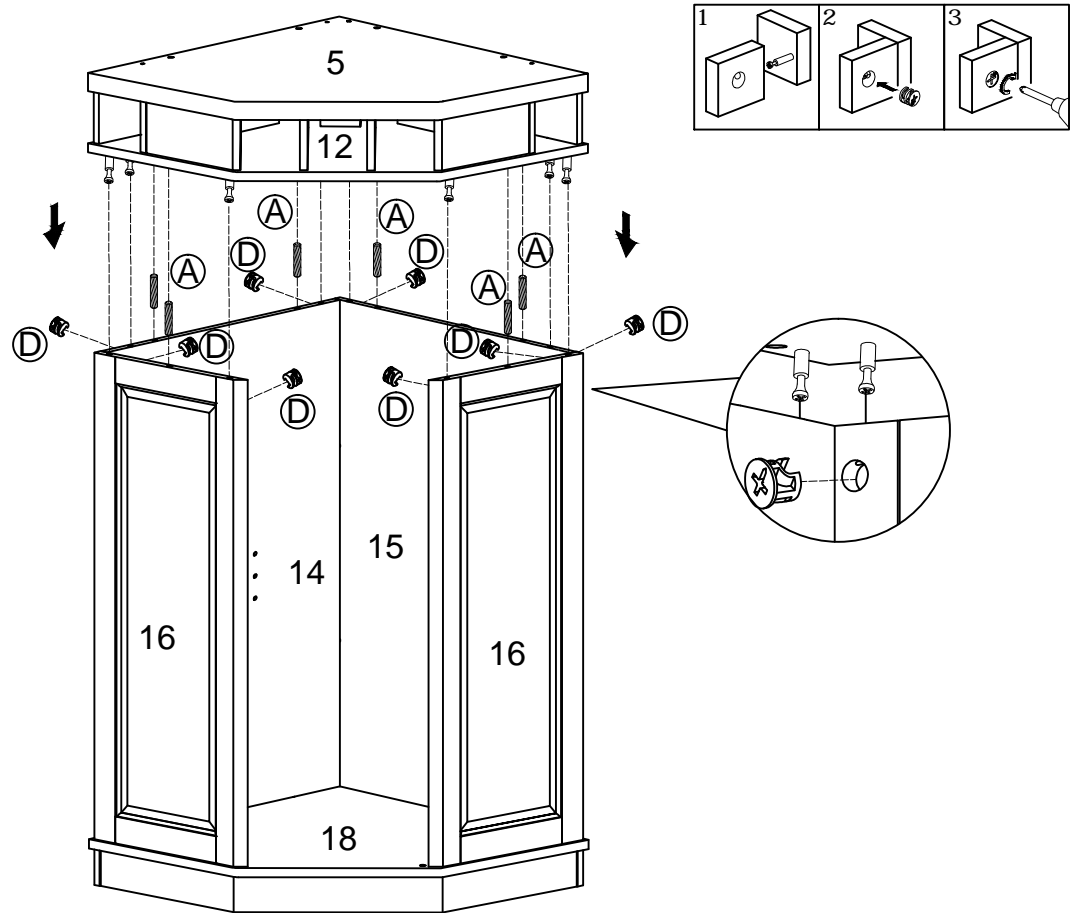
Step 7



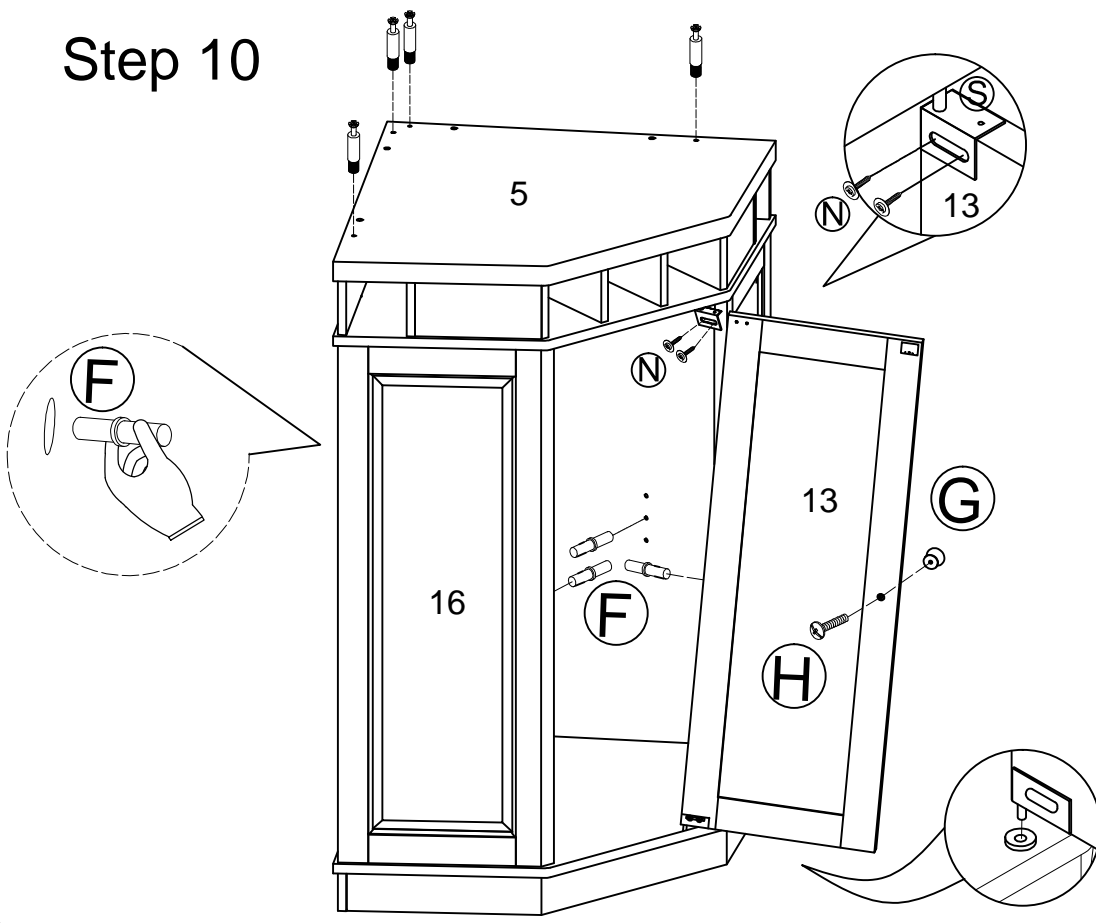
Step 8



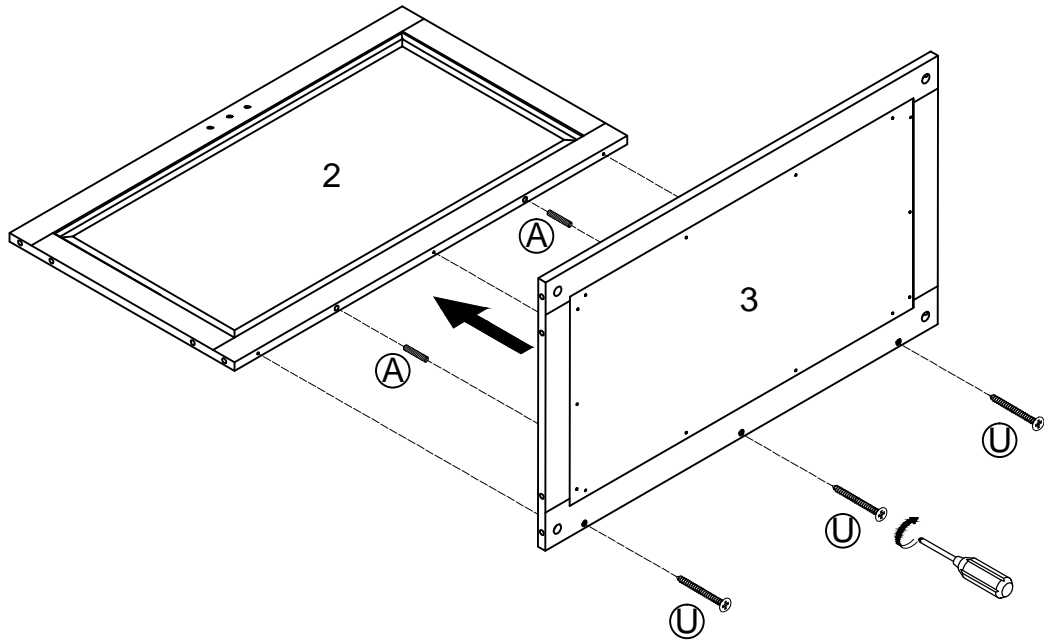
Step 9



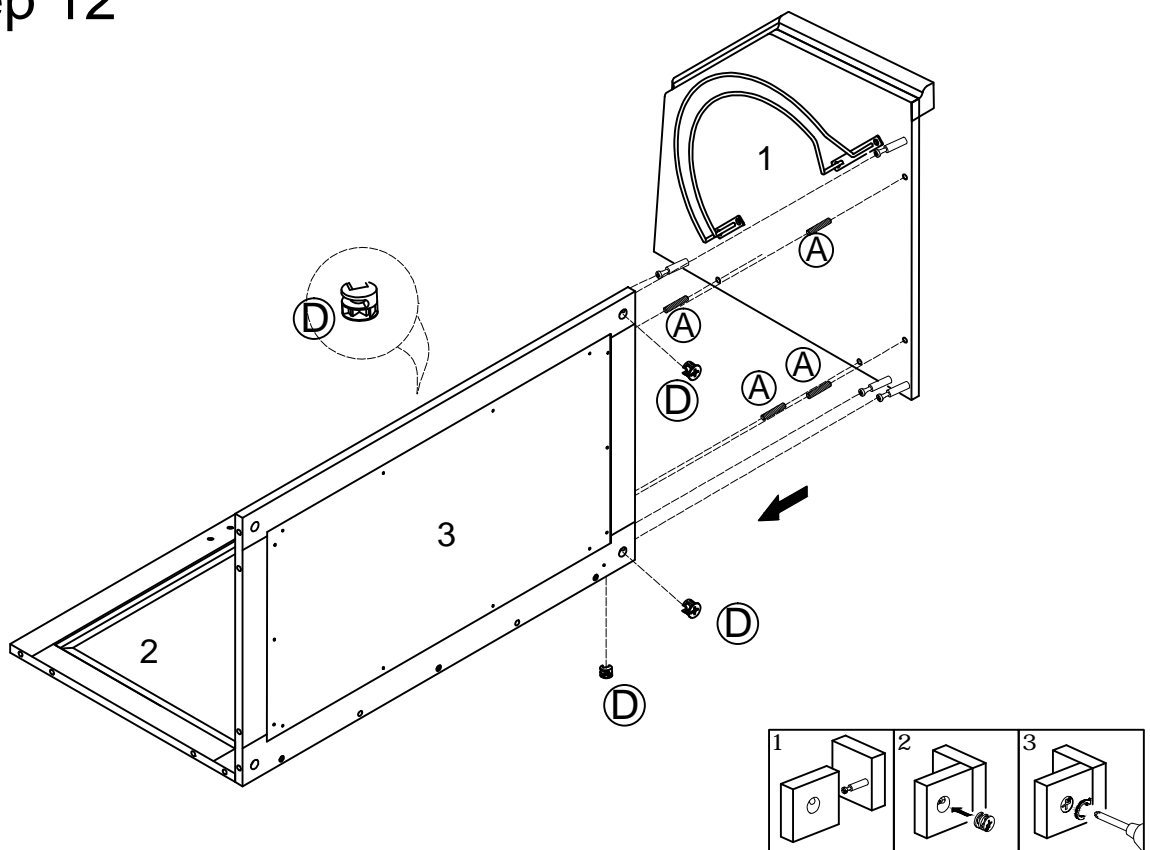
Step 10



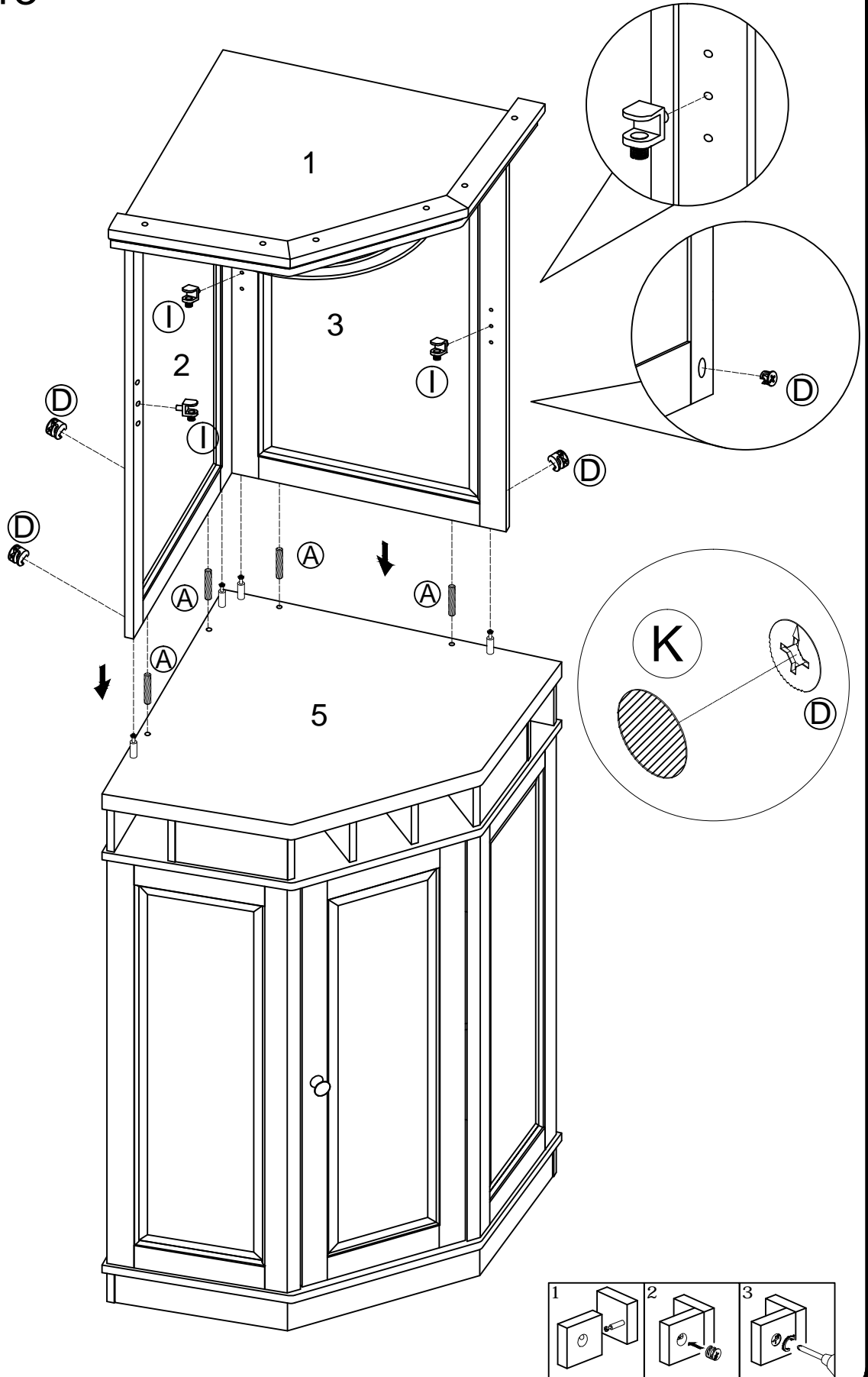
Step 11



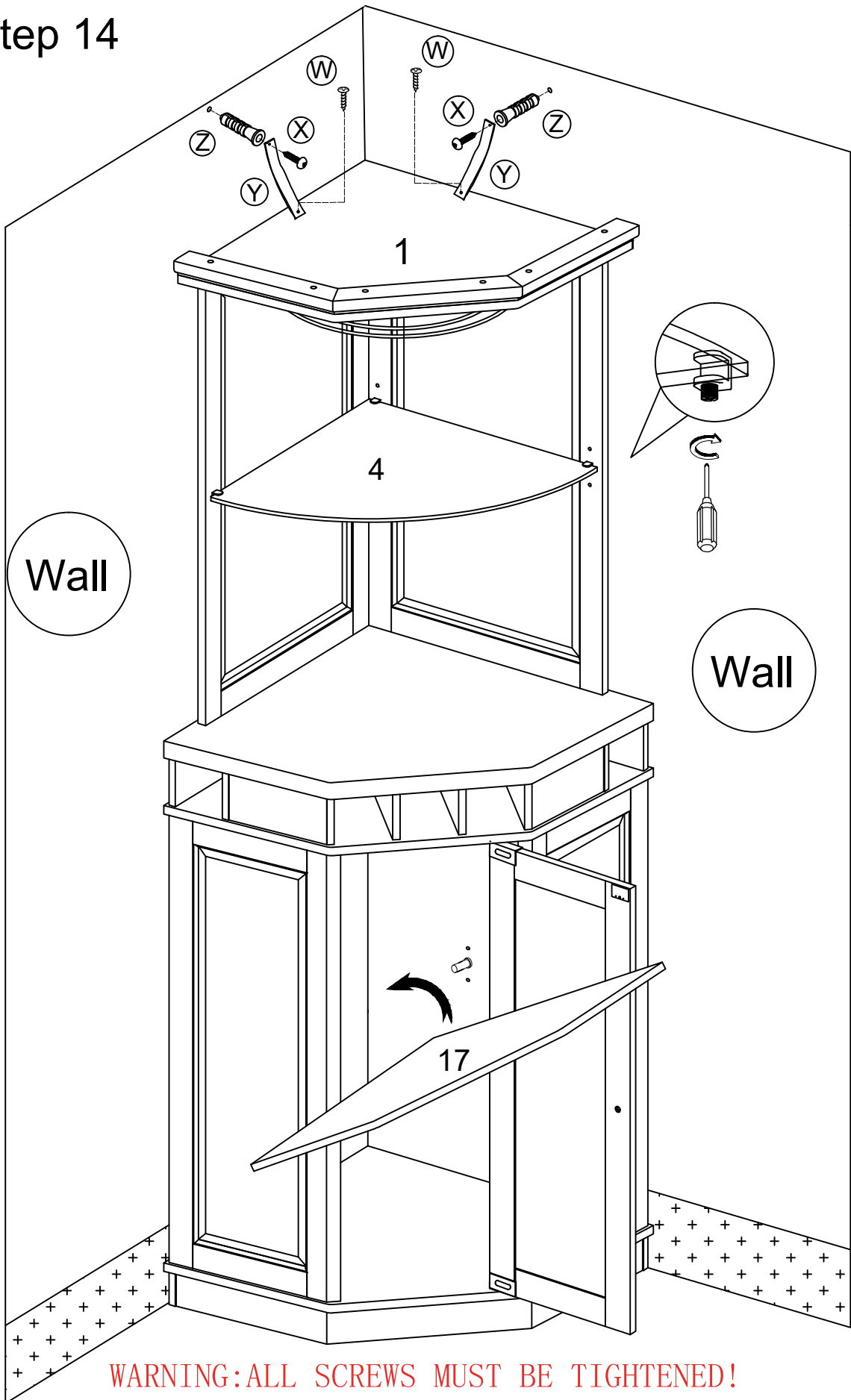
Step 12



Step 13



Step 14



WARNING: ALL SCREWS MUST BE TIGHTENED!