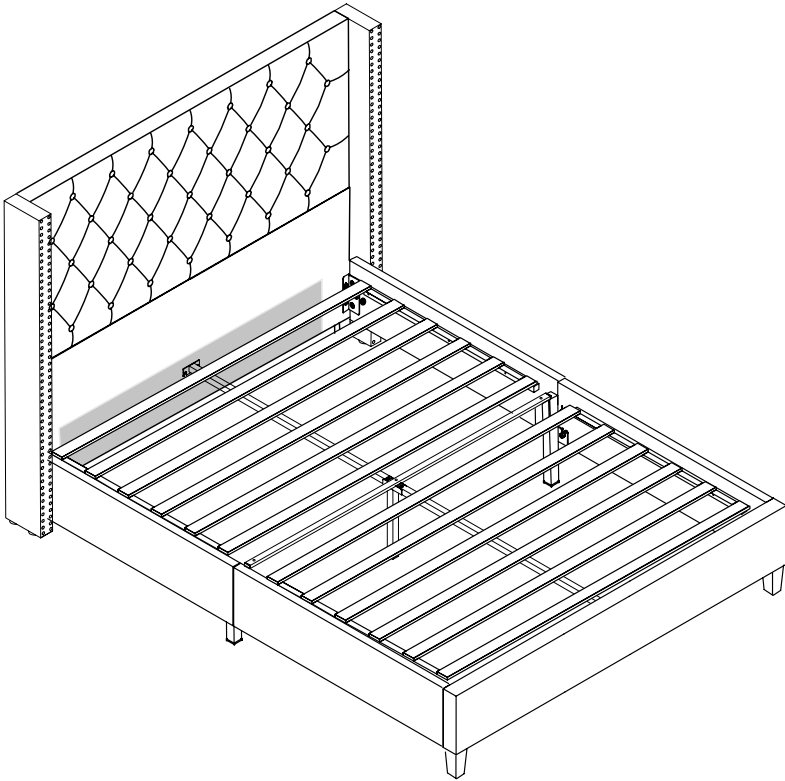


# Assembly Instruction

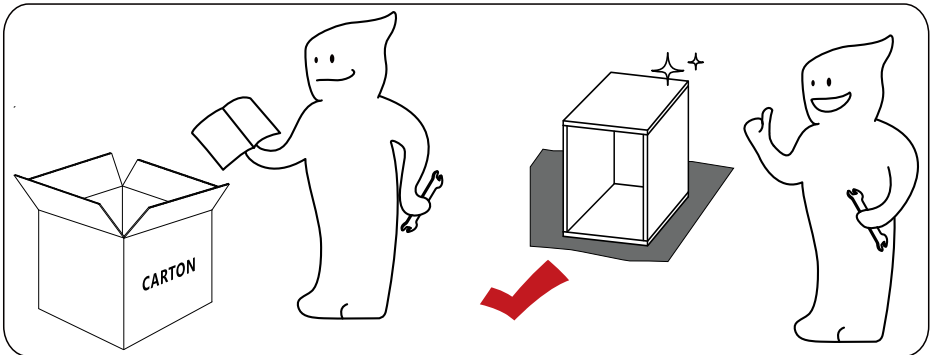
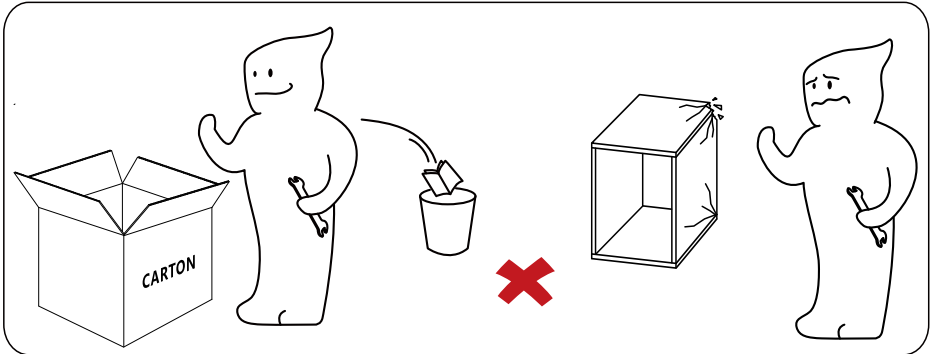


Please check that you have all the parts listed before you start assembling, if you do find that something is missing, do not continue assembly, please contact us immediately.

**NOTE:** Please do not completely tighten all the hardware until the entire assembly is complete!

# ! IMPORTANT

Please follow the instruction manuals and use a pad to protect the product during your assembly.

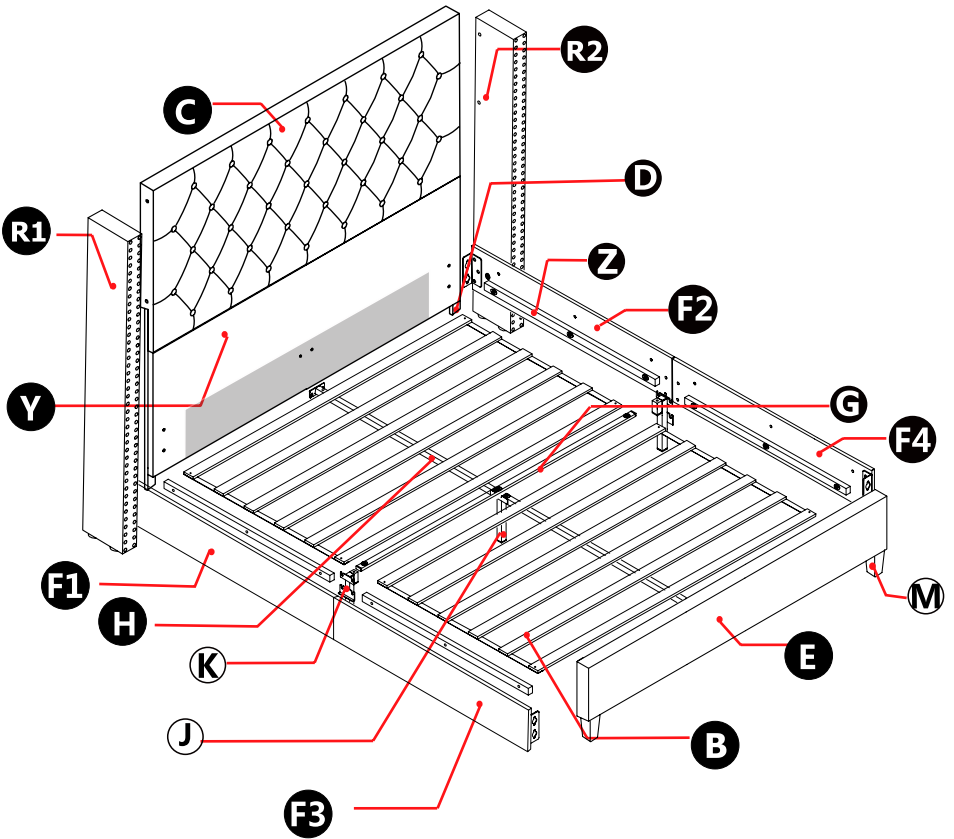


**Note:**

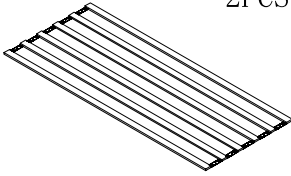
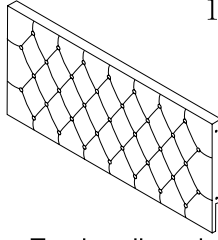
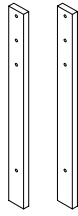
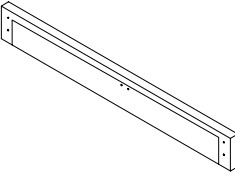
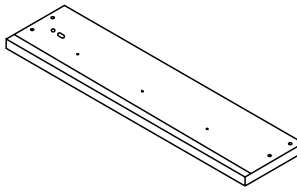
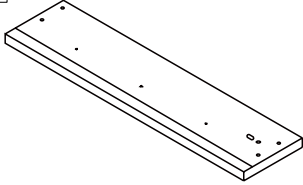
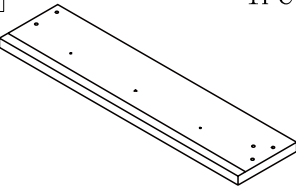
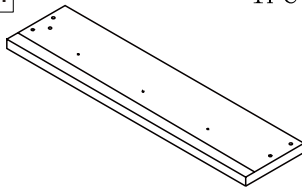
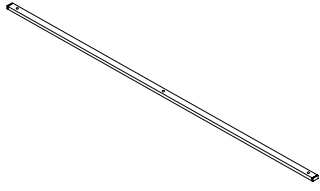
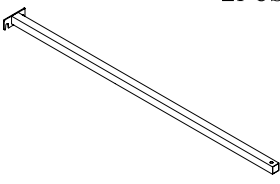
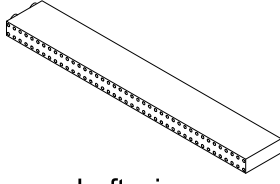
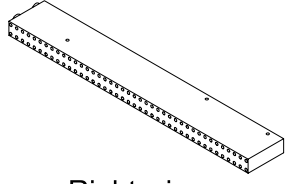
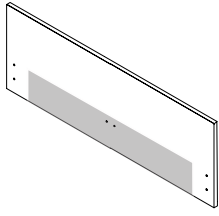
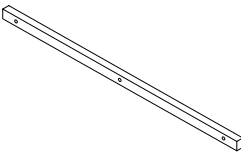
1. Should be assembled on flat ground to keep balance.
2. Before completing the installation, do not tighten the screws.



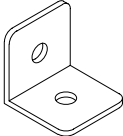
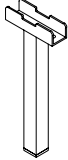
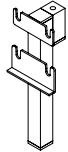
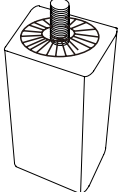
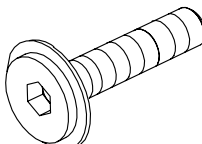
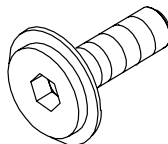
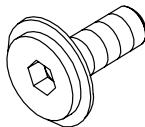
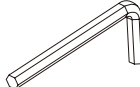
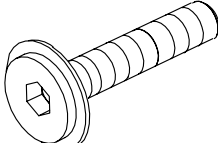
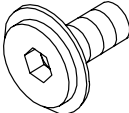
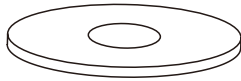
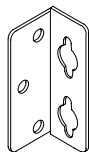
For easier and better assembly, **2** or more adults are required.



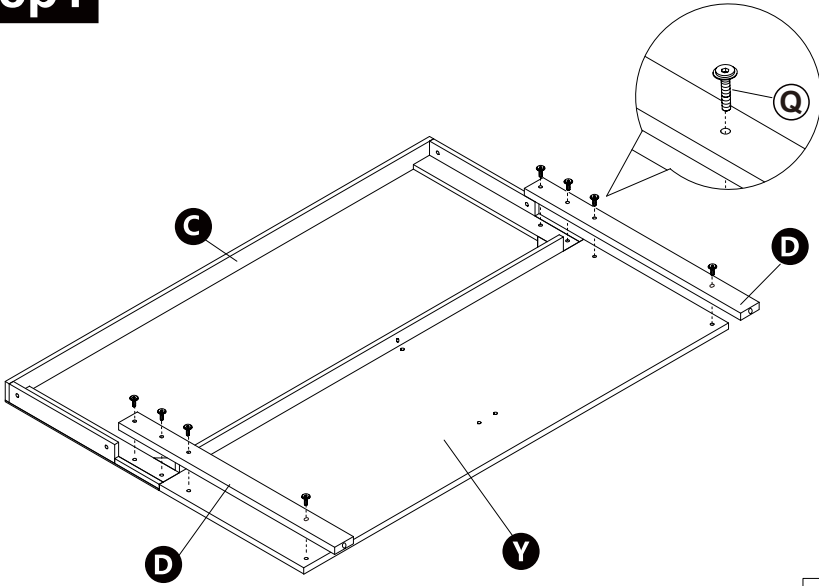
# BED FRAME PARTS LIST



<p><b>B</b> 2PCS</p>  <p>Slat</p>	<p><b>C</b> 1PC</p>  <p>Top headboard</p>	<p><b>D</b> 2PCS</p> 
<p><b>E</b> 1PC</p>  <p>Footboard</p>	<p><b>F1</b> 1PC</p>  <p>Left side rail</p>	<p><b>F2</b> 1PC</p>  <p>Right side rail</p>
<p><b>F3</b> 1PC</p>  <p>Left side rail</p>	<p><b>F4</b> 1PC</p>  <p>Right side rail</p>	<p><b>G</b> 1PC</p>  <p>Cross bar</p>
<p><b>H</b> 2PCS</p>  <p>Middle support bar</p>	<p><b>R1</b> 1PC</p>  <p>Left wing</p>	<p><b>R2</b> 1PC</p>  <p>Right wing</p>
<p><b>Y</b> 1PC</p>  <p>Bottom headboard</p>	<p><b>Z</b> 4PCS</p>  <p>side bar</p>	

# FITTING PART LIST

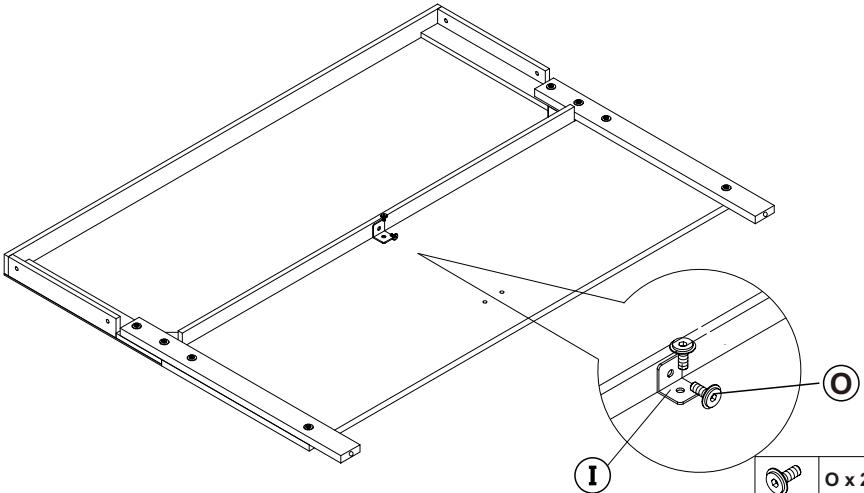
<p><b>I</b> 1PC</p>  <p>Connector</p>	<p><b>J</b> 1PC</p>  <p>Support leg</p>	<p><b>K</b> 2PCS</p>  <p>side leg</p>
<p><b>M</b> 2PCS</p>  <p>Leg</p>	<p><b>L</b> 6PCS</p>  <p>M8*45</p>	<p><b>N</b> 17PCS</p>  <p>M8*35</p>
<p><b>O</b> 8PCS</p>  <p>M8*25</p>	<p><b>P</b> 1PC</p>  <p>M6</p>	<p><b>Q</b> 8PCS</p>  <p>M8*55</p>
<p><b>S</b> 26PCS</p>  <p>M8*18</p>	<p><b>T</b> 2PCS</p>  <p>M8*22</p>	<p><b>X</b> 4PCS</p>  <p>Connector</p>




## step1



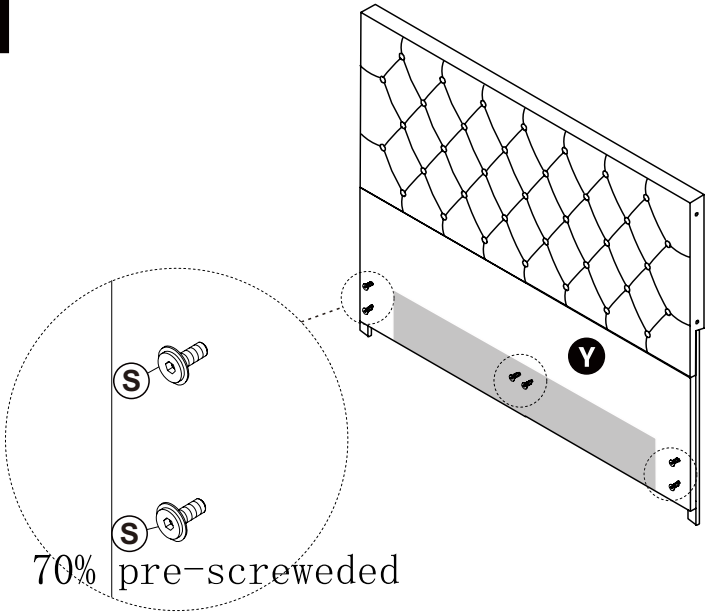
	Q x 8 pcs
	P x 1 pc



## step2



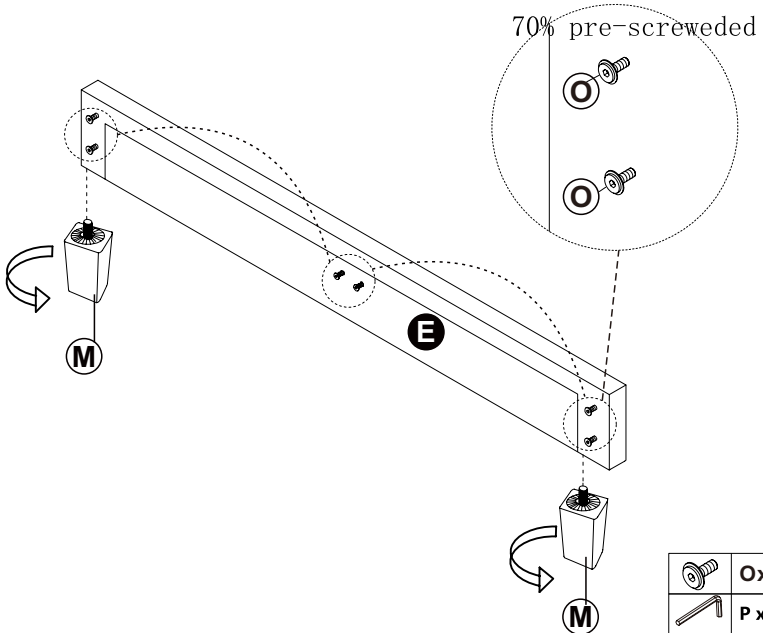
	O x 2 pcs
	I x 1 pc
	P x 1 pc



## step3



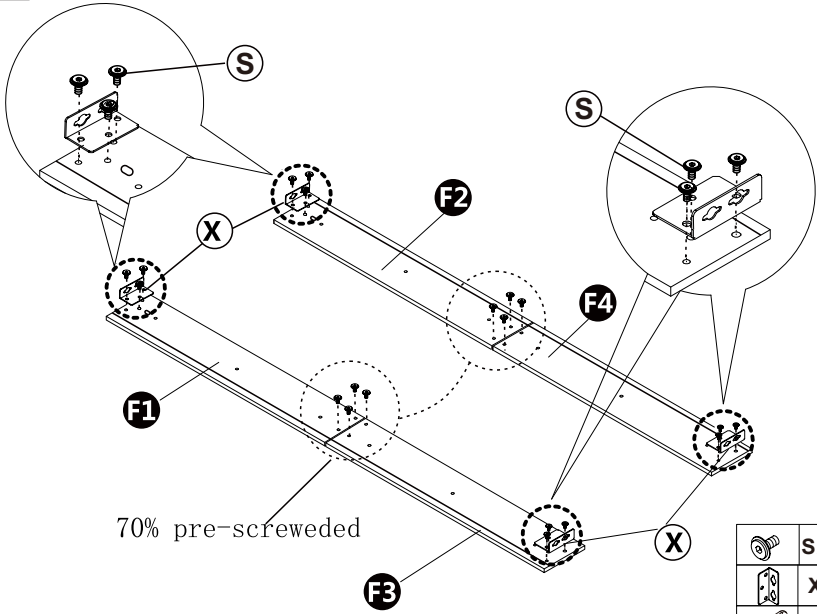
	<b>Sx6pcs</b>
	<b>P x 1pc</b>




## step4



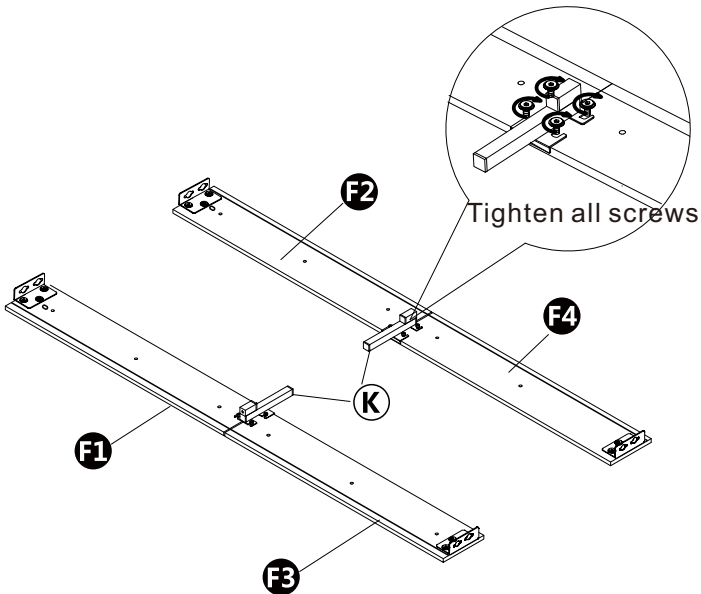
	<b>Ox6pcs</b>
	<b>P x 1pc</b>


## step5



	<b>S</b> x20pcs
	<b>X</b> x4pcs
	<b>P</b> x 1pc

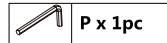
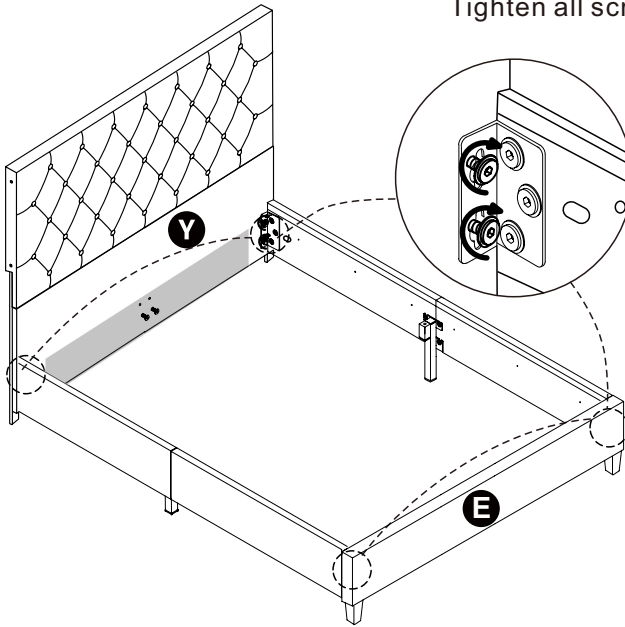
## step6



	<b>P</b> x 1pc
---	----------------

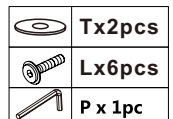
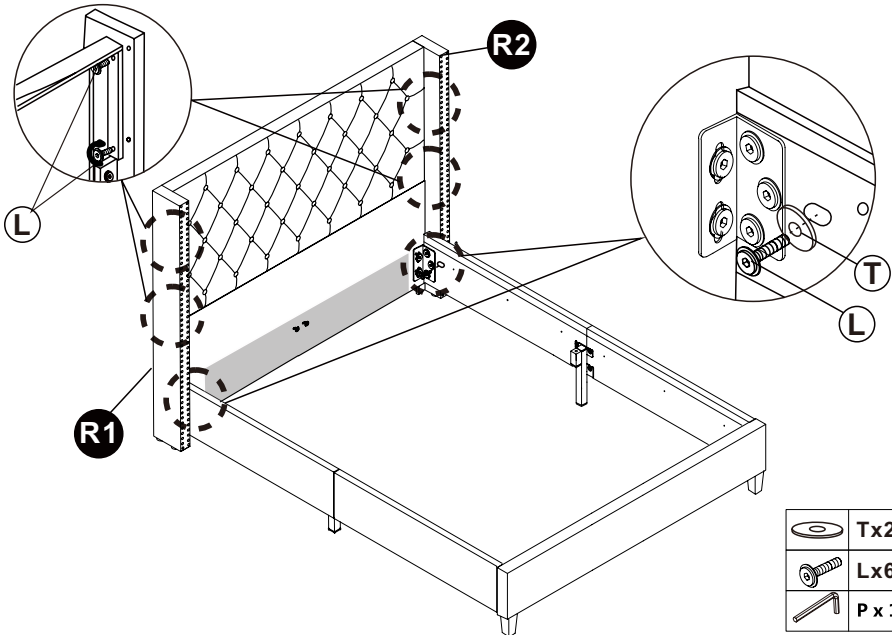
## step 7

Tighten all screws

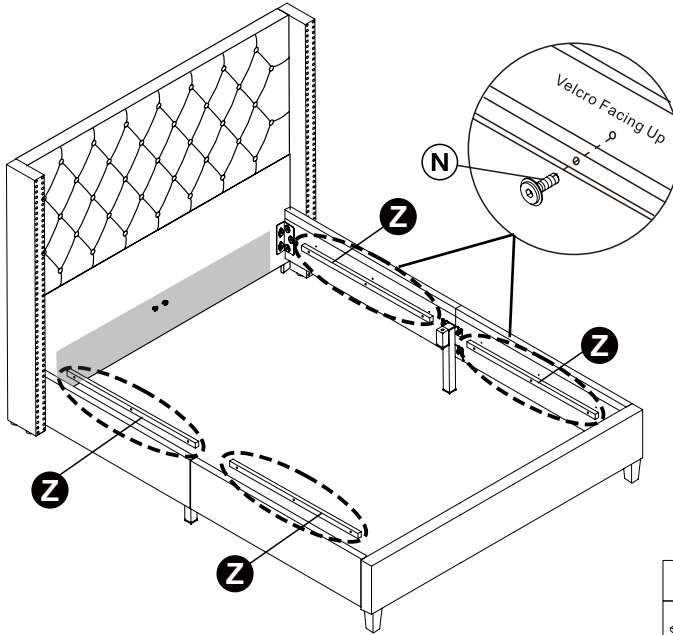




## step 8

During the assembly, please first half-tighten all the screws into the holes. After all the screws are set, fully tighten them

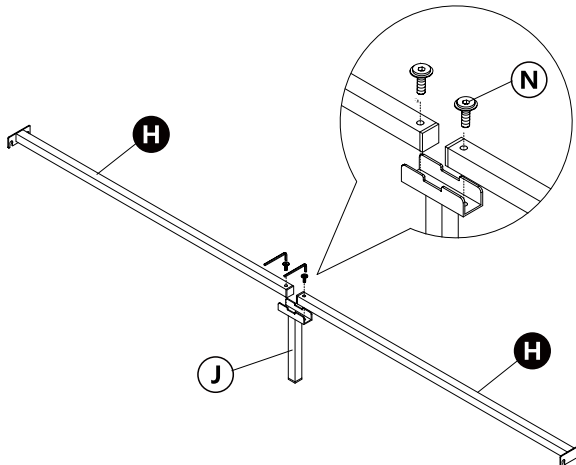




## step9



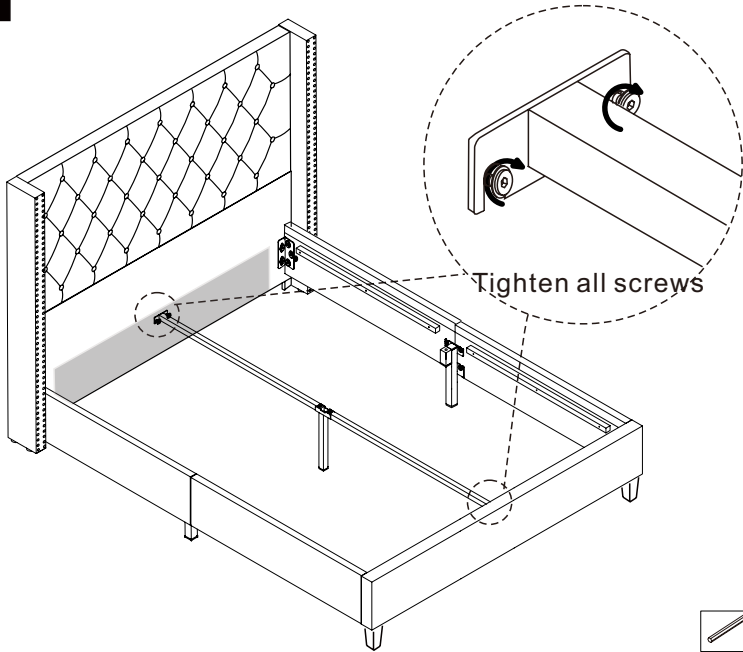
	N x 12 pcs
	P x 1 pc

## step10

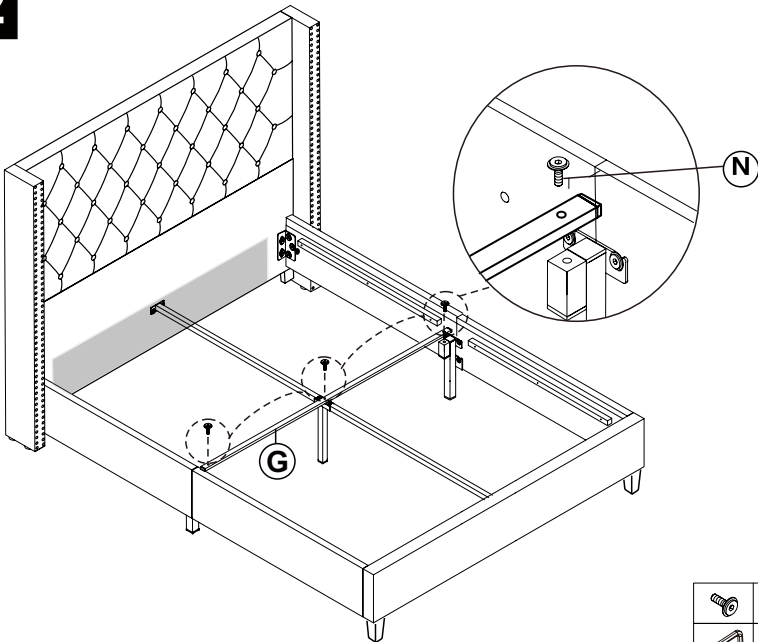


	N x 2 pcs
	P x 1 pc

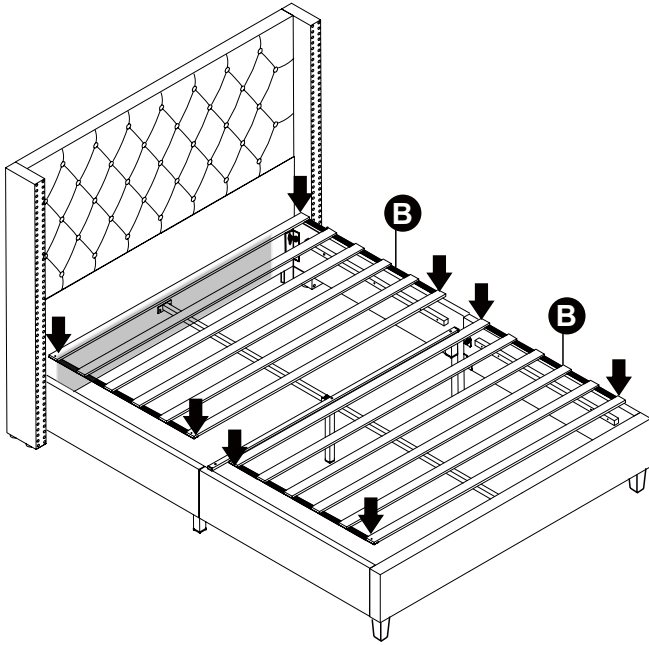
## step11



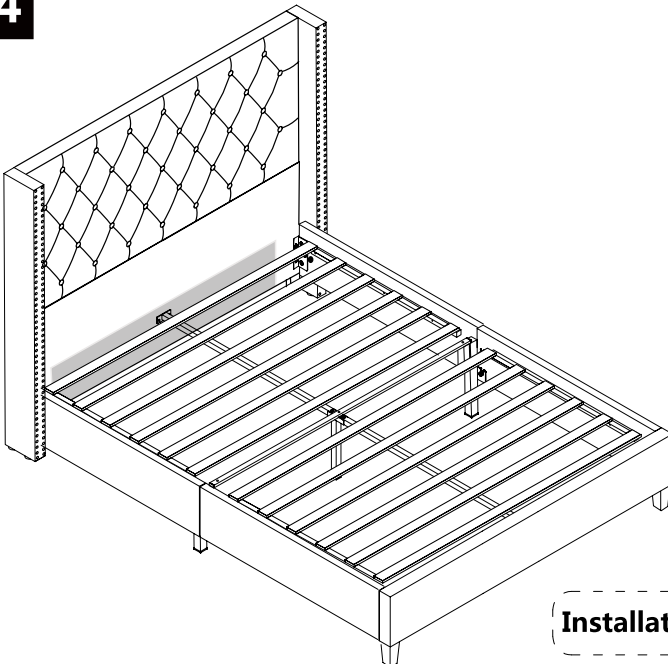
## step12



**step13**



**step14**



**Installation Complete**