



eureka[®]

VOYAGE™
INSTRUCTIONS MANUAL

Cautions for the first use

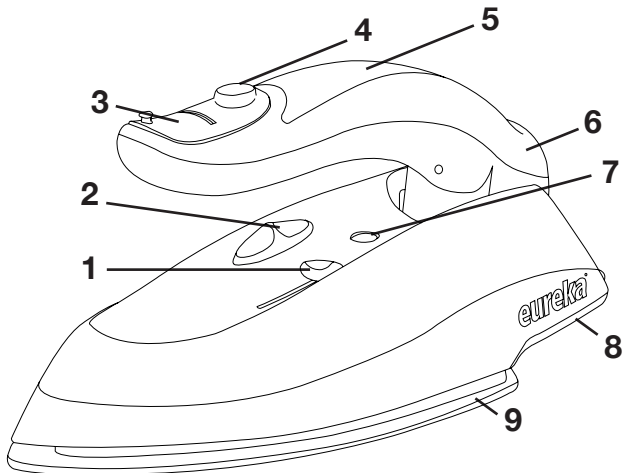
Remember, safety should be your first priority.

1. Please make sure that you disconnect all other electronic devices connected to the power line you plan on using for your iron.
2. Make sure that you have removed any packaging or protective covers from the soleplate.
3. When plugged in for the first time, you may notice slight smoke due to production grease. Do not worry as this will cease shortly.
4. Always avoid harsh contact between your iron and other metal objects.

Safety Instructions

1. Whenever you need to step away from the iron, make sure that you unplug it and leave the iron in a vertical position with the soleplate facing upright.
2. Avoid children near the plugged iron.
3. Avoid contact of hot soleplate with your hands or flammable objects during use.
4. **CAUTION!** Make sure your iron is disconnected from the power supply before pouring water in the water tank.
5. **DO NOT** immerse any part of the iron in any type of liquid.
6. **DO NOT** use the iron if the cord is damaged. Consult with the manufacturer to get your iron fixed or replaced.
(See last page for instructions)
7. To prevent deposition of minerals in the steam holes, it is recommended to use distilled water for cleaner steam holes.
8. Never use chemically descaled water.
9. Avoid directing steam towards people or animals. Steam is hazardous and can cause severe skin burns.

Parts & Features



1. Heat Settings
2. Steam Control
3. Water Filling Cover
4. Steam Surge™ Button
5. Water Tank

6. Foldable Handle
7. LED Indicator Light
8. Voltage selector 120V or 220-240V
9. Auto Shut-Off LED Indicator Light

Dry Ironing

1. Make sure the iron's voltage correctly matches with the specific regional voltage requirement before plugging it into the power outlet.
2. Unfold the handle by lifting it up.
3. Set the movable Steam Control Slider to point "0".
4. Adjust ironing temperature in accordance with the fabric's requirement.
5. Allow the iron to warm up before usage.

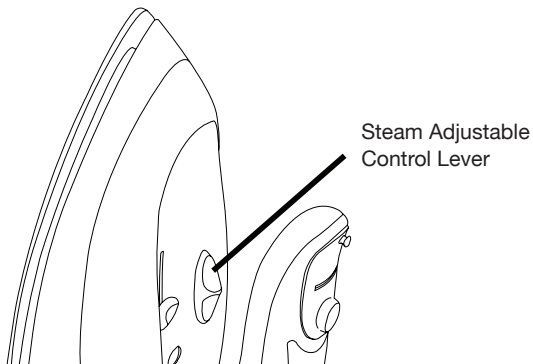
Filling with Water

1. Before filling the water tank, make sure that the iron is unplugged, temperature slider is positioned at the "OFF" mark, and the iron is held at approximately 45° tilt.
2. Open up the water tank tab found on the handle and add cold clean water by using the measuring cup. Carefully monitor the water tank level during this process to prevent overfilling.
3. To close, firmly press the water tank tab shut.

Steam Ironing

1. Fill the water tank in accordance with the “Filling with Water” instructions.
2. Plug the cord into the outlet.
3. By using the temperature control slider, match the ironing temperature with the instructions given on your fabric’s label.
4. The light “**ON**” indicates that the iron’s temperature is increasing steadily.
5. According to your requirement, adjust the Steam Adjustable Control slider by shifting it up for more steam and down for no steam.
6. To achieve best steam discharge, make sure that the thermostat dial is set at the **MAX** mark.
7. For strong steaming, press the steam surge button. Remember that this function doesn’t work at low temperature settings.
9. When done ironing, turn the steam On/Off button to “**0**” and set the temperature control to “**Off**”.
10. Set the iron in an upright position, and then unplug the cord.
11. When your iron has cooled down, fold the handle by pressing on the handle folding button and store in your heat-resistant pouch.

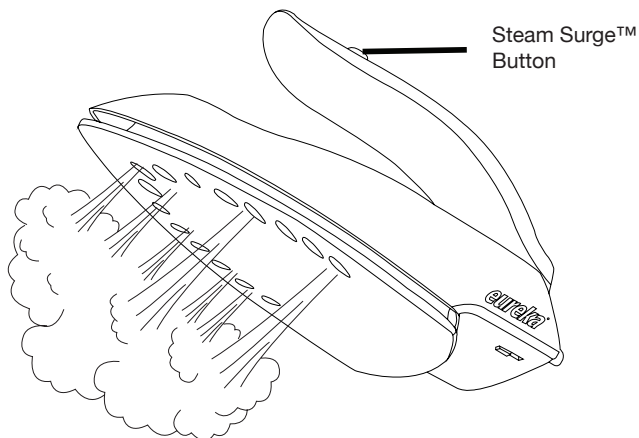
Steam Ironing



Steam Surge™

This function is specially designed to remove the toughest wrinkles and creases present in heavy fabrics. By pressing the Steam Surge™, a sudden surge of steam is expelled out of the soleplate, which is extremely useful in straightening even the most stubborn creases. For optimal results, make sure Steam Surge™ is used at higher temperatures and a regular 5 second delay between each steam burst is maintained. When steam is completely depleted, give it some time for steam to build up.

Steam Surge™



Vertical Steam

By holding the iron in a vertical position, you can apply burst of steam to remove creases from curtains or any type of hanging fabrics.

Cleaning & Maintenance

Before you begin cleaning, unplug the iron and allow it to cool down.

1. Clean the soleplate with any moist cloth and non-abrasive cleaner.
2. If fibers stick to the soleplate, use damp cloth immersed in vinegar to wipe off adherent fibers.
3. Never use strong acids or cleaning solutions when cleaning soleplate.
4. Remove any left over water from the water tank.
5. To prevent any damage to the cord, allow the iron to completely cool down before winding the cord around the soleplate.
6. Make sure the steam selector is set to “**0**” and the thermostat dial is set to “**OFF**” before putting your iron away.
7. Before packing your iron into the travel pouch, fold the handle by pressing the handle folding button.

Troubleshooting

Problem	Possible Reasons	Solution
There is little heat or no heat.	Cord may be unplugged or thermostat improperly set.	Cross check thermostat dial and look for any error in power transmission.
Steam has stopped or there is leakage.	Thermostat slider is set at the OFF mark.	Adjust thermostat slider to your desired setting.
There is no flow of steam or vertical steam is absent.	Repeated usage of vertical burst of steam or the iron is not hot enough.	Give regular pauses between each burst of steam.
Water is leaking from soleplate.	The iron is not hot enough.	Set the thermostat dial to a higher setting.
	The water is exceeding the MAX position mark.	Remove excess water.
There is less steam.	Clogged steam holes.	You may use a toothpick if there is something stuck in a steam hole, but do not scratch the soleplate.
	Steam control slider is not set to the proper position.	Adjust the steam control slider to the proper position by moving up or down.
	Not enough water in tank.	Fill the water level up to the MAX mark on the tank.

Warranty

This product has a warranty for 2 years from provable date of purchase against defects in material and workmanship. During this period such defects will be repaired, or the product will be replaced at no charge. This warranty does not cover damage caused by misuse, negligence, or improper installation. Warranty is also invalid in any case that the product is taken apart or serviced by an unauthorized service station.

TO CLAIM:

Purchaser must receive a Return Authorization Number by calling our service center at 1-844-EUREKA5 (844-387-3525) or visit our website www.eurekagarmentcare.net for more info. Once your return has been authorized, please send your package, prepaid postage, with a copy of your proof of purchase. You will also need to enclose a letter explaining the nature of your difficulty in detail. Please allow 2-4 weeks for return shipping.

Smartek USA Inc.
12 Hinsdale Street, NY 11207

Eureka is a registered trademark used under license from Electrolux Home Products Inc. Designed in USA.
Assembled in China. © 2015

**MORE
GREAT
EUREKA
PRODUCTS**

eureka®



**HEAT RESISTANT
3-FINGER GLOVE**
(MODEL: ER1033)



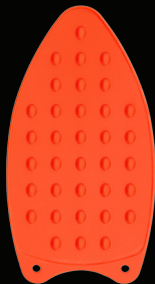
**HEAT RESISTANT
IRONING GLOVE**
(MODEL: ER1035)



**PROTECTIVE
IRON CASE**
(MODEL: ER1050)



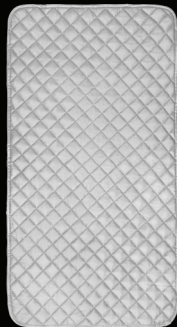
**EXTRA LARGE PROTECTIVE
IRONING MESH**
(MODEL: ER1020)



**SILICONE IRON
REST PAD**
(MODEL: ER1040)



**IRON & BOARD
HOLDER**
(MODEL: ER1010)



**SUPER MAGNETIC
IRONING MAT**
(MODEL: ER1025)

THANK YOU FOR PURCHASING *eureka* PRODUCTS

eureka[®]

FOR MORE INFO PLEASE VISIT: WWW.EUREKAGARMENTCARE.NET