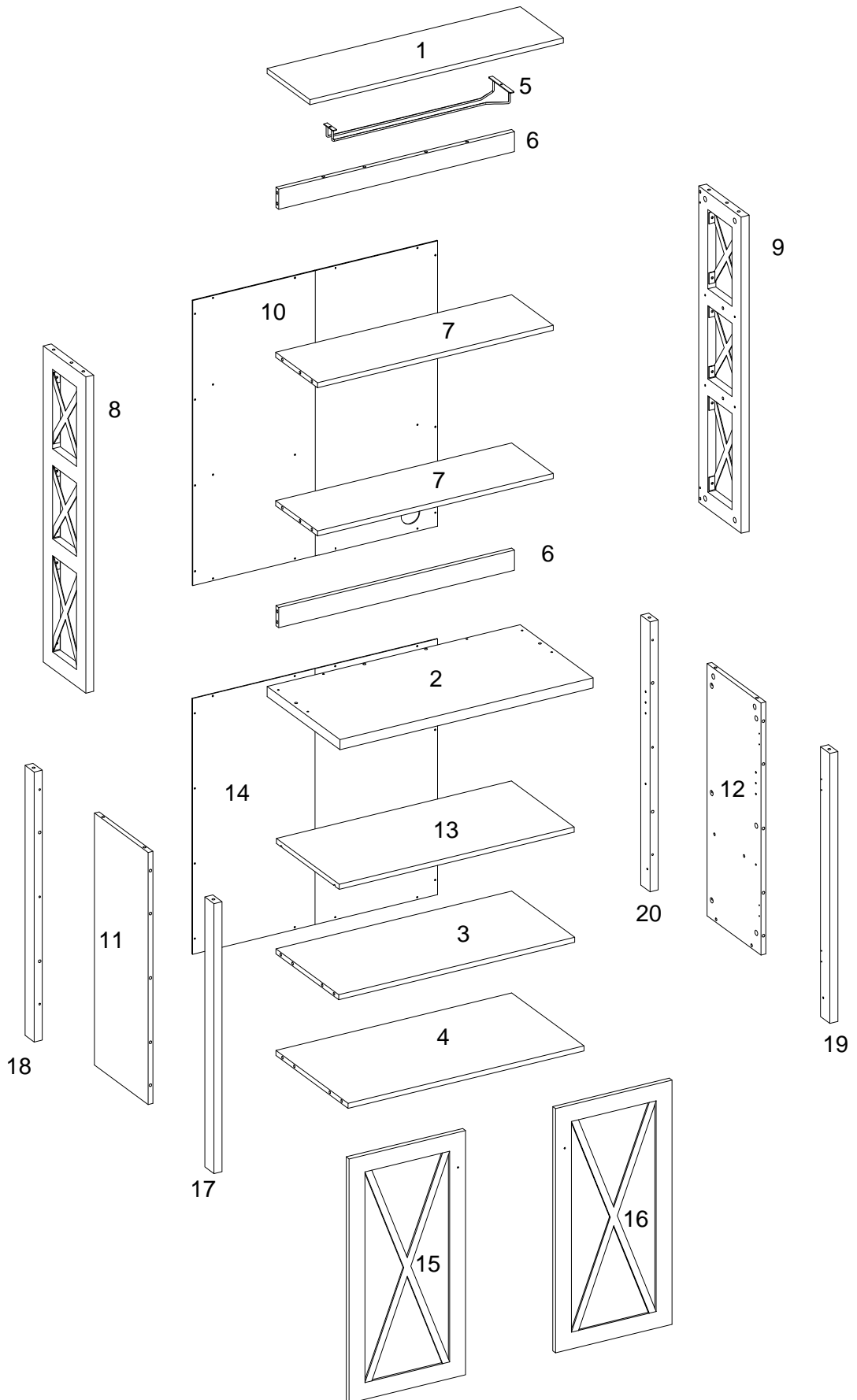







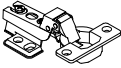




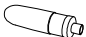

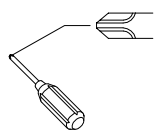


Parts List



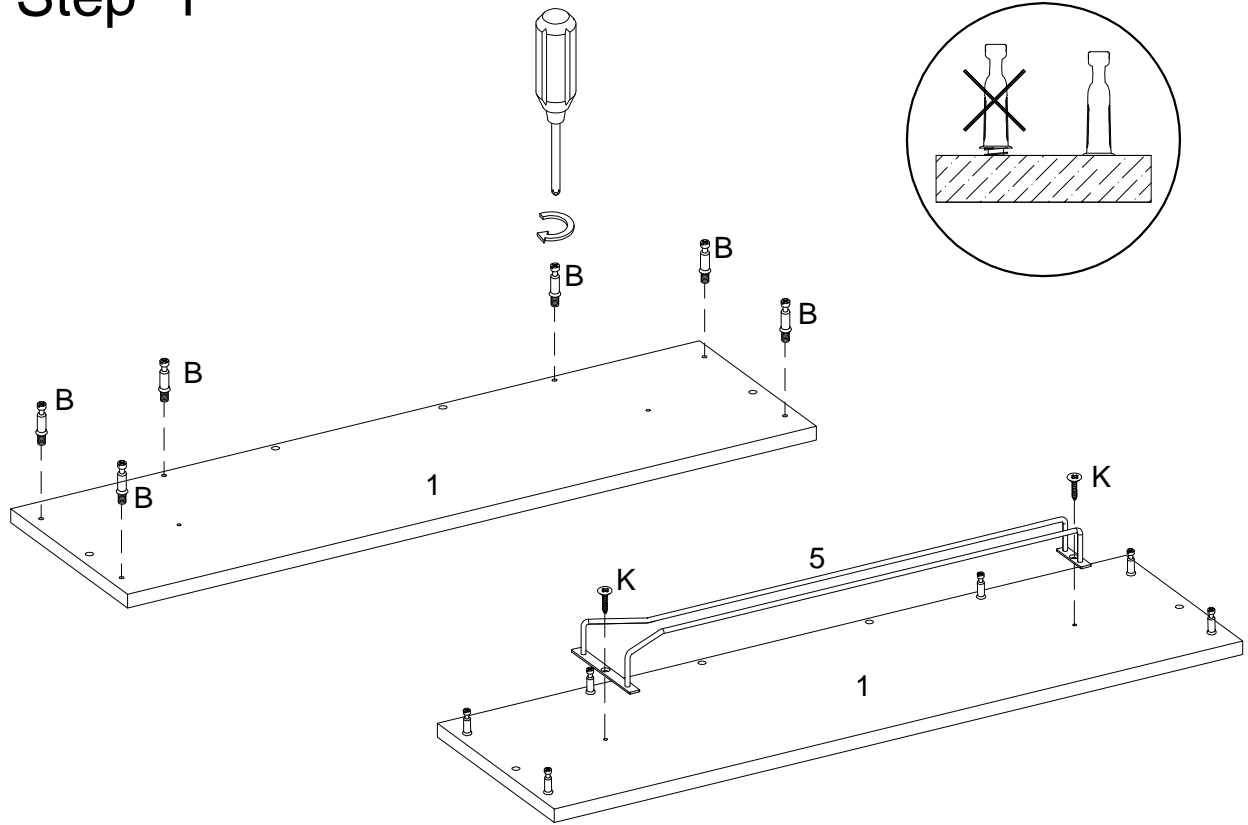
Hardware List

A		Ø8x30mm	Wooden dowel	34 pcs
B		Ø6x35mm	Cam bolt	48 pcs
C		Ø15x11mm	Cam lock	48 pcs
D			Shelf support pin	4 pcs
E			Door stopper	1 pcs
F		Ø4x22mm	Bolt	2 pcs
G			Handle	2 pcs
H			Europe Hinge	4 pcs
I		Ø3.5x15mm	Hinge screw	24 pcs
J		Ø3x15mm	Screw	40 pcs
K		Ø3.5x14mm	Screw	4 pcs
L			Sticker	48 pcs
M			Glue	1 pcs
N			Tipping Restraint Hardware (Inside Plastic White Bag)	2 pcs

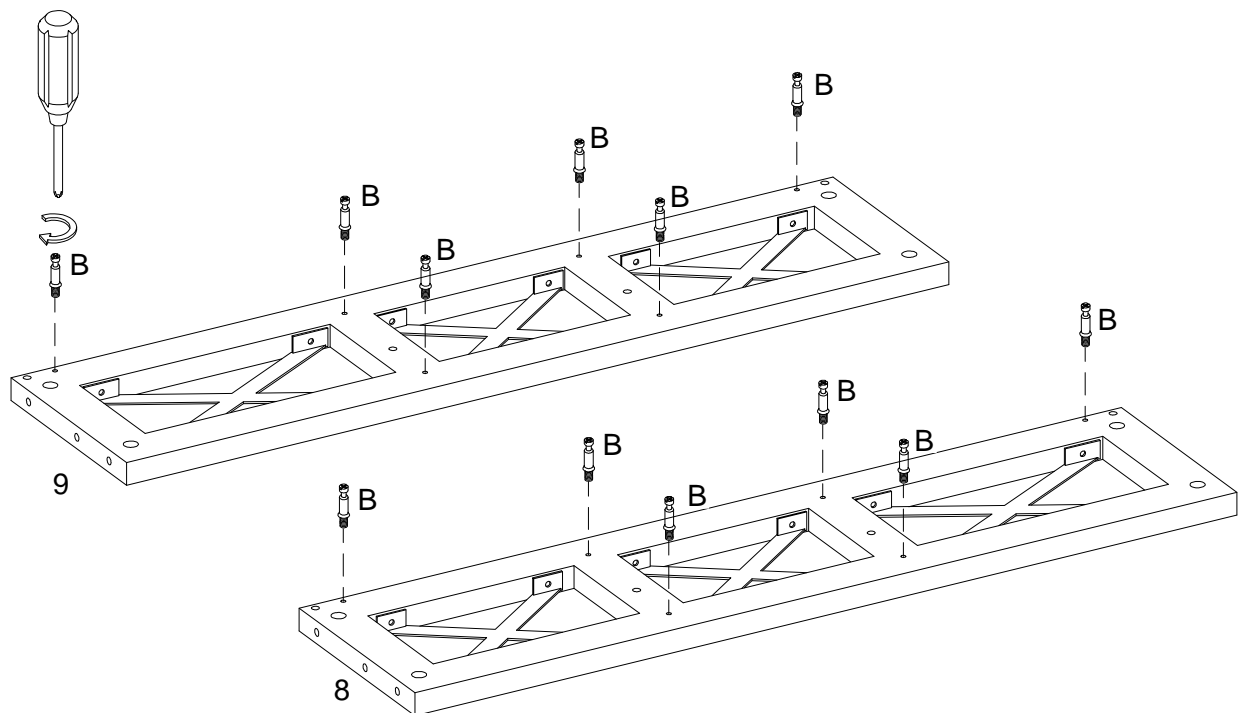


Philips head screwdriver required for assembly
(not included)

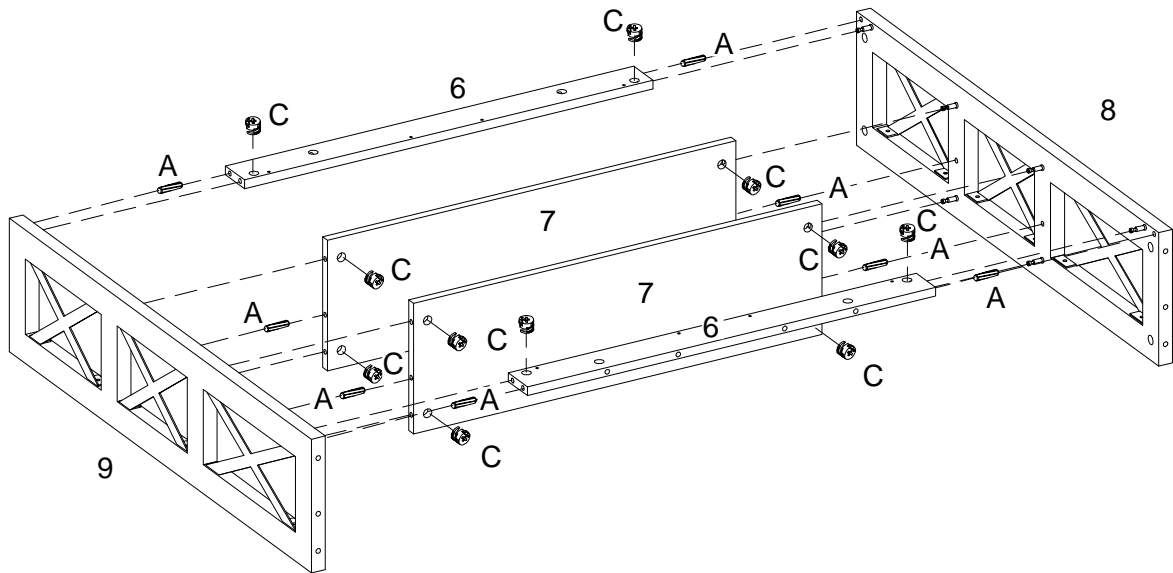
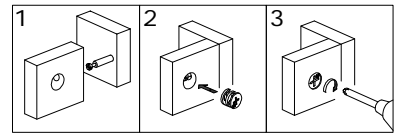
Step 1



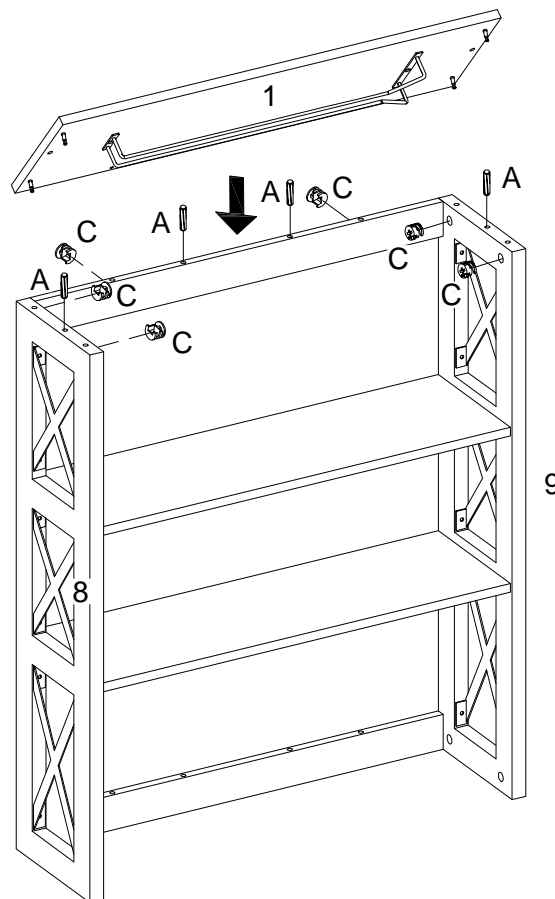
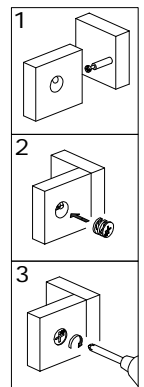
Step 2



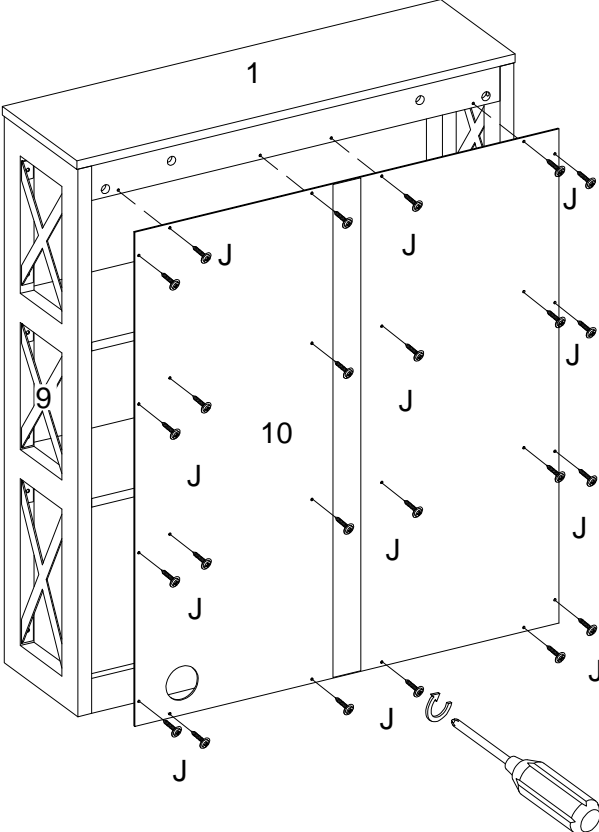
Step 3



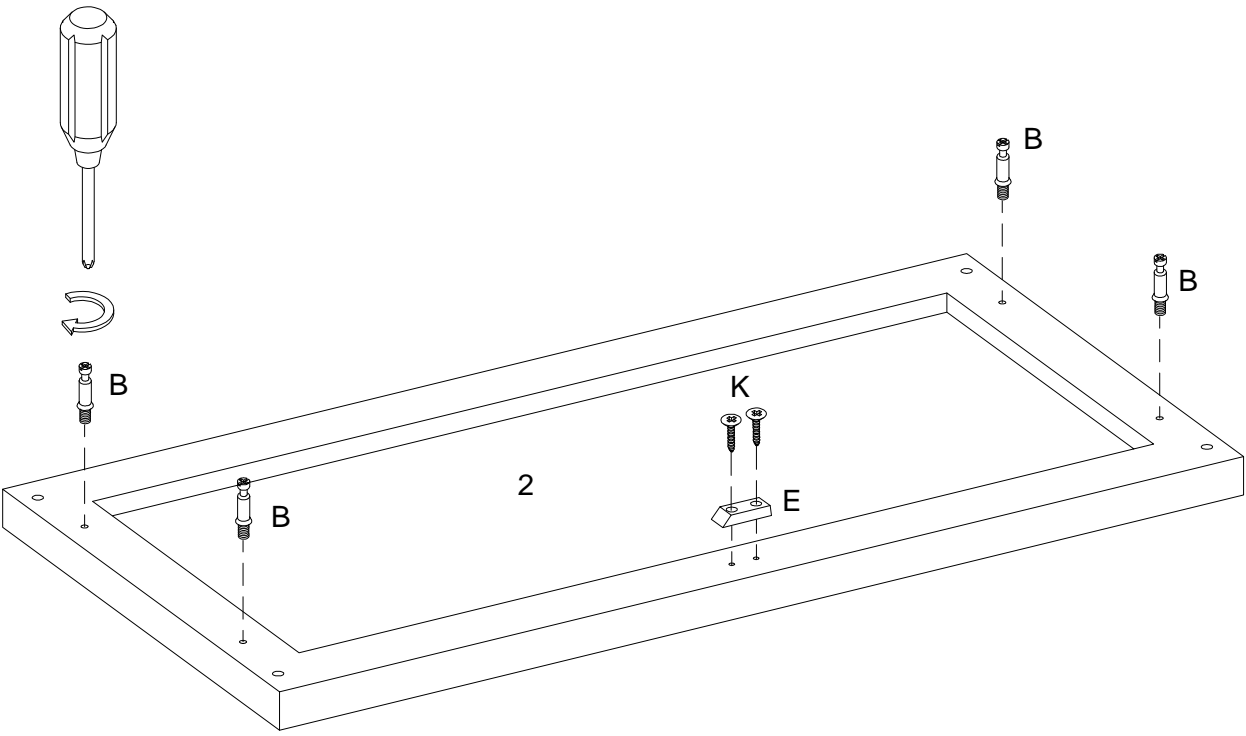
Step 4



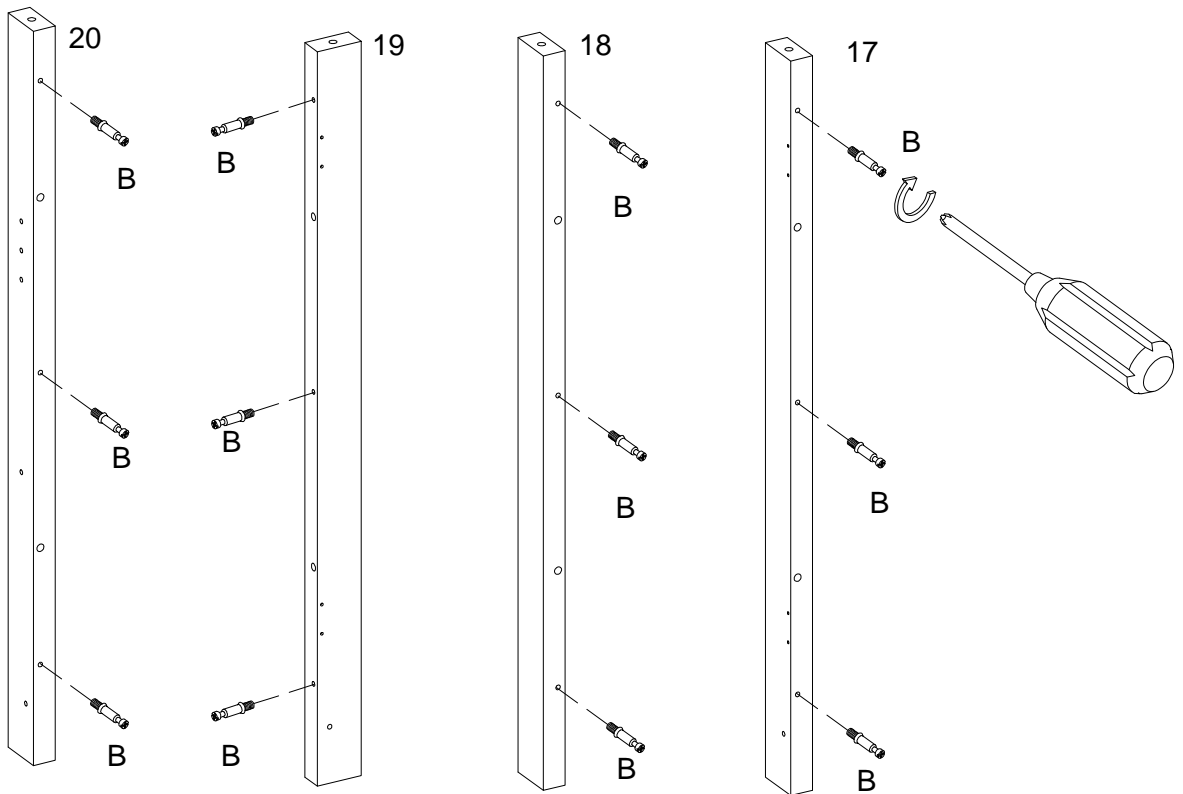
Step 5



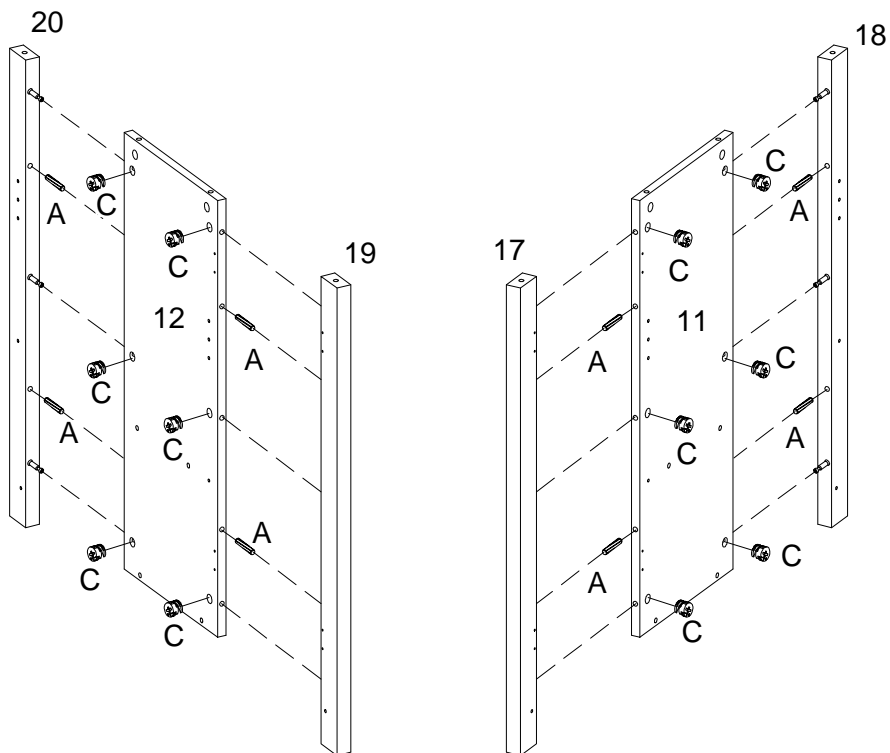
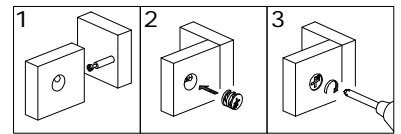
Step 6



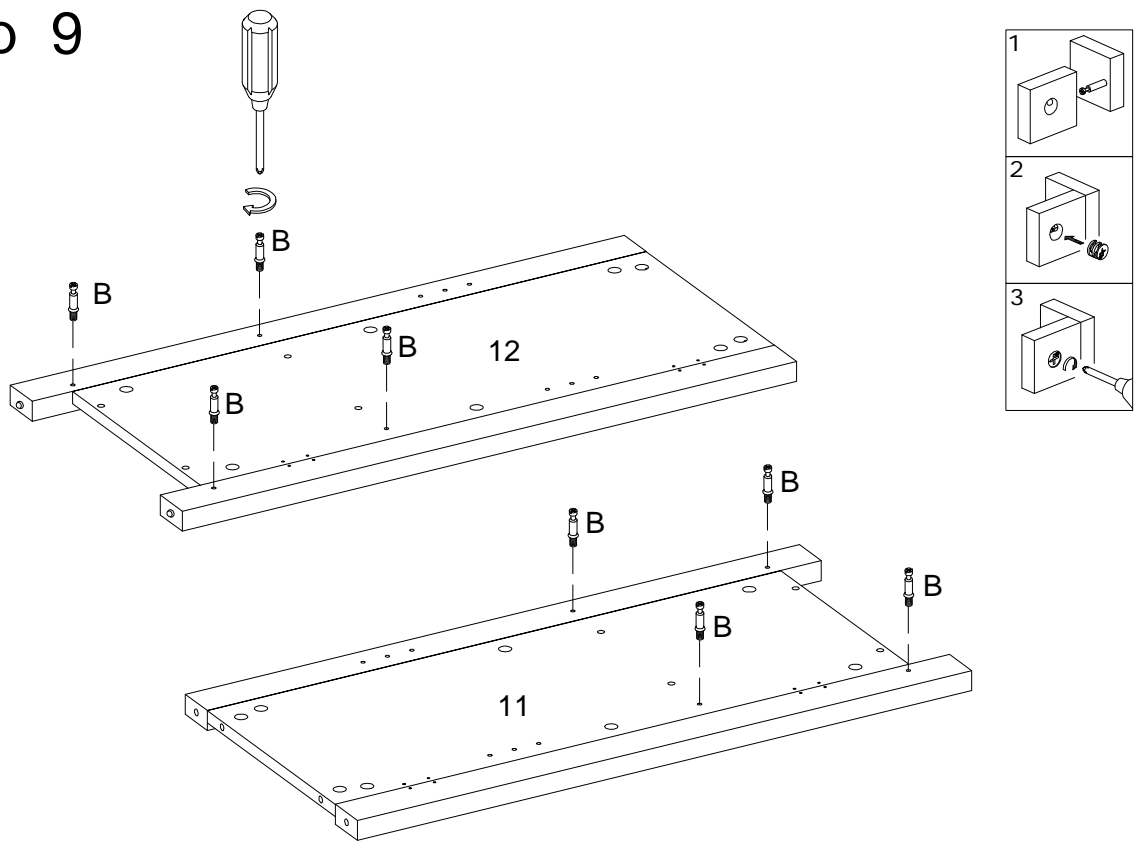
Step 7



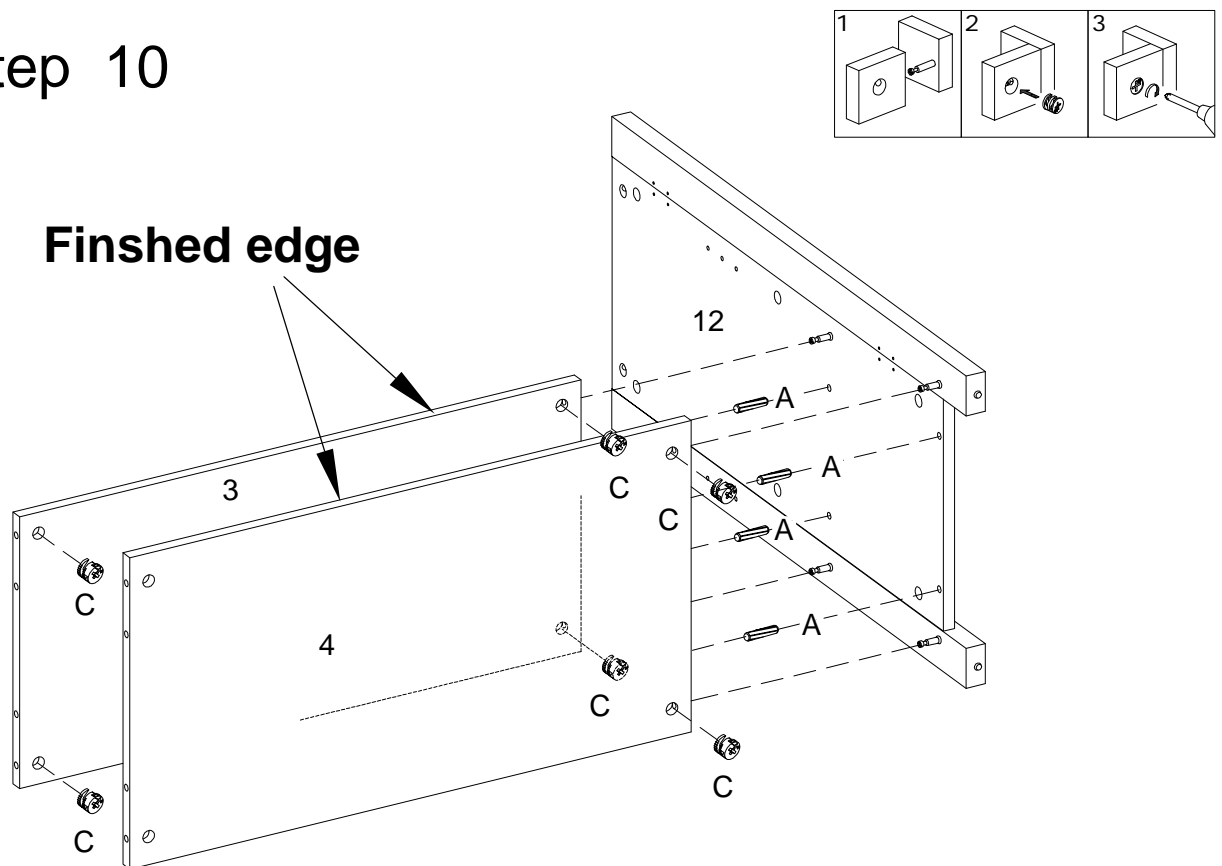
Step 8



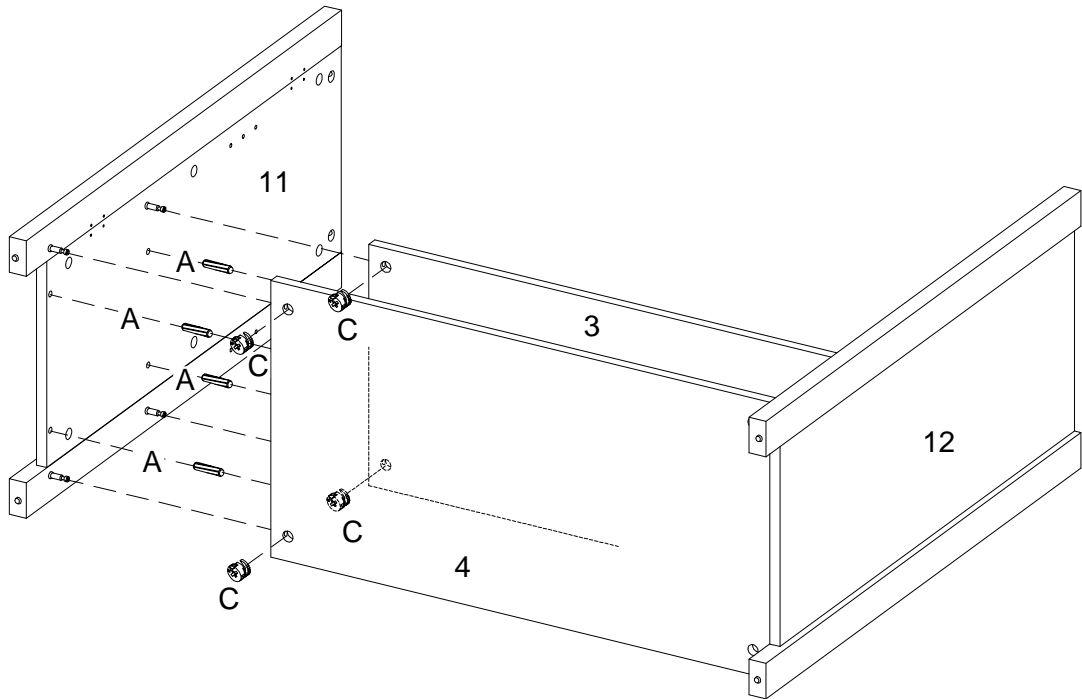
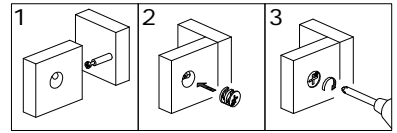
Step 9



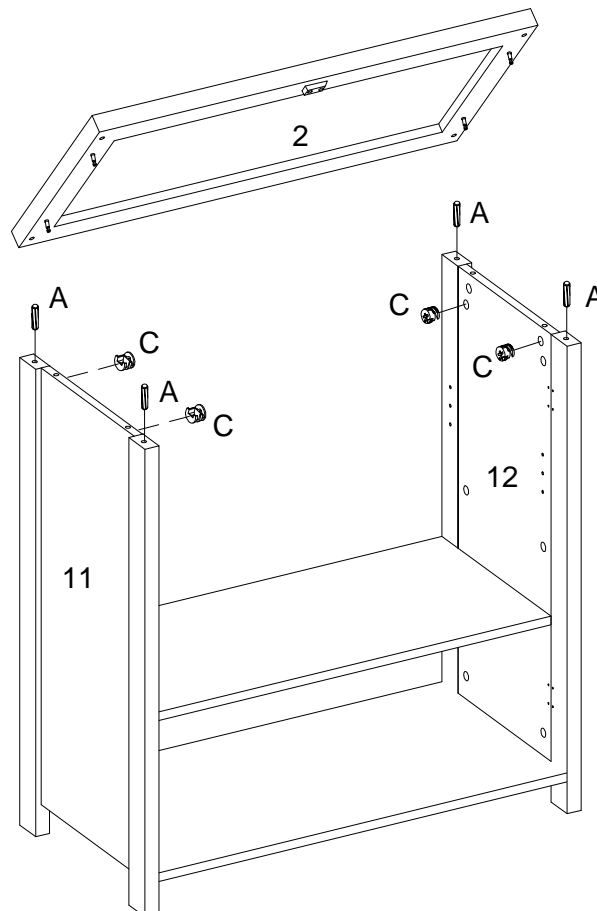
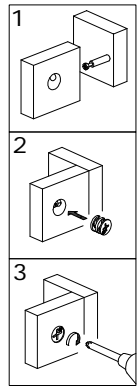
Step 10



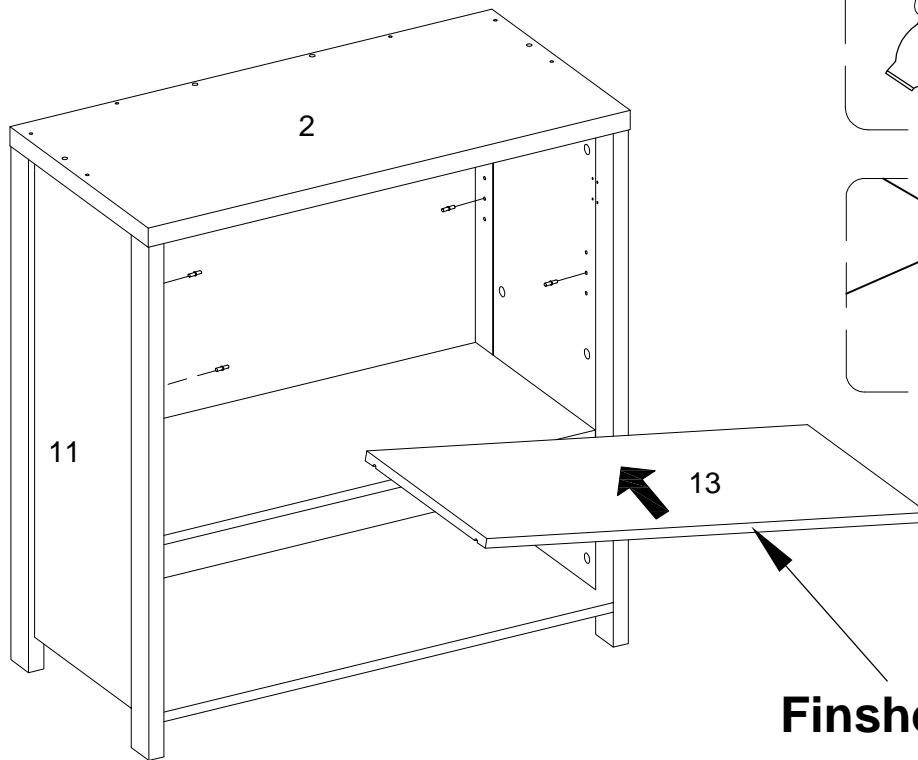
Step 11



Step 12

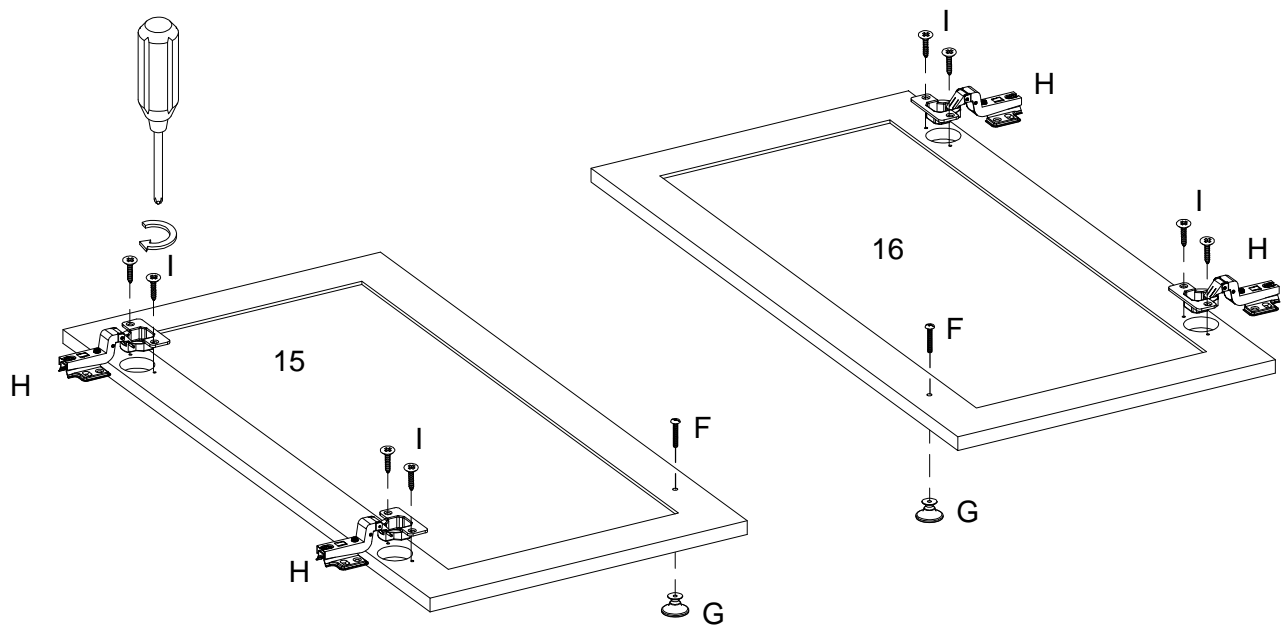


Step 13

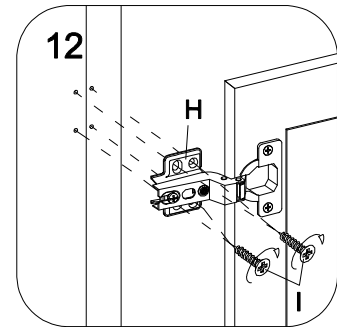
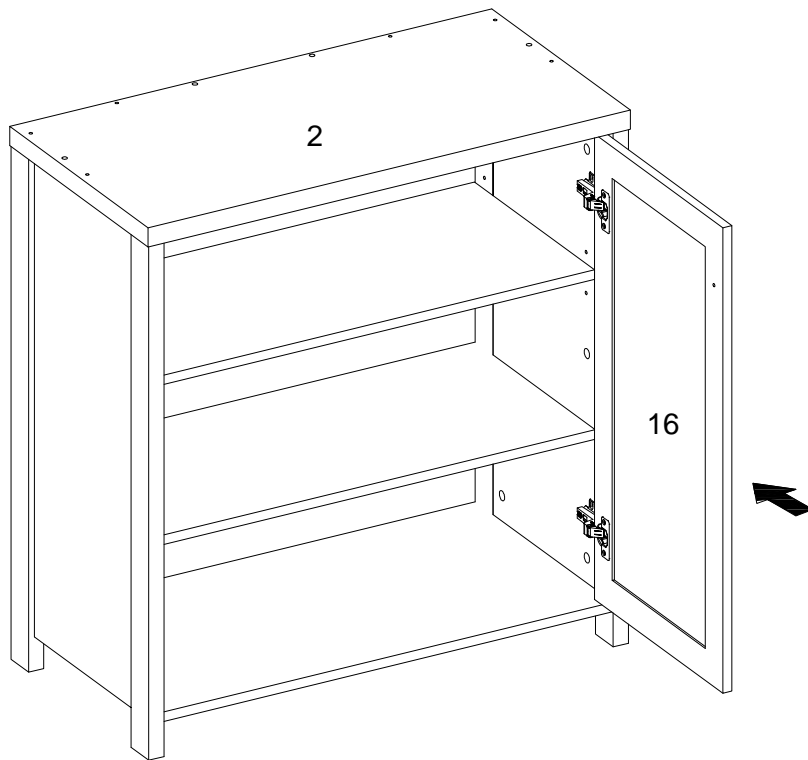
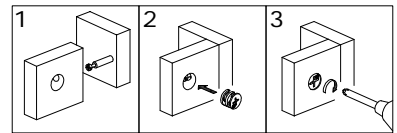


Finished edge

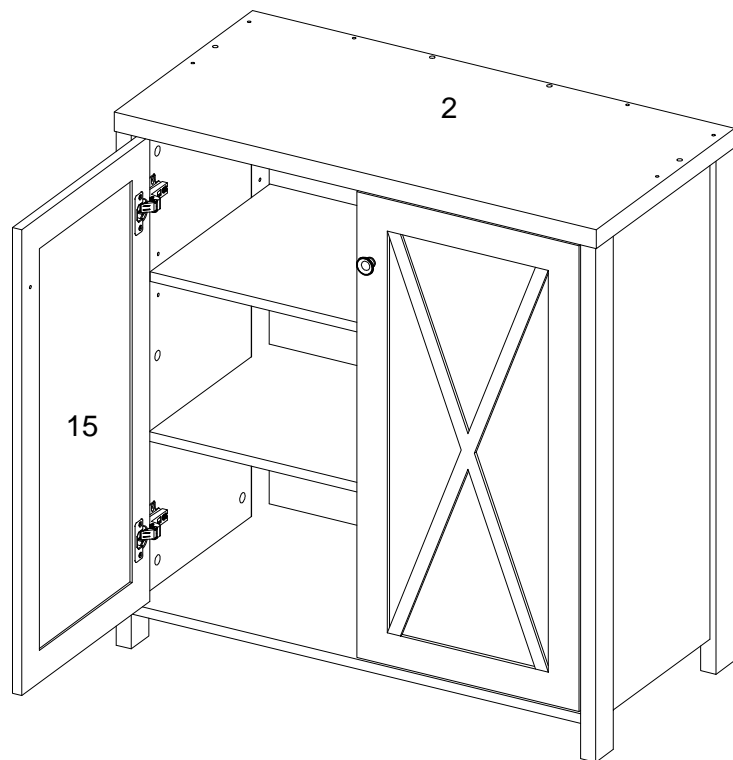
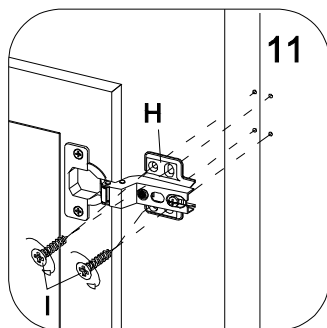
Step 14



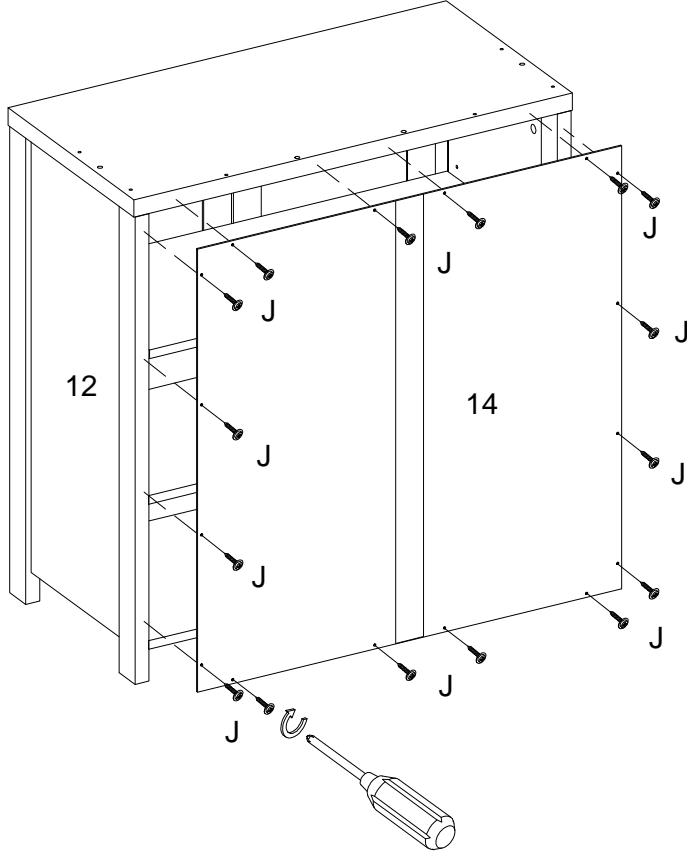
Step 15



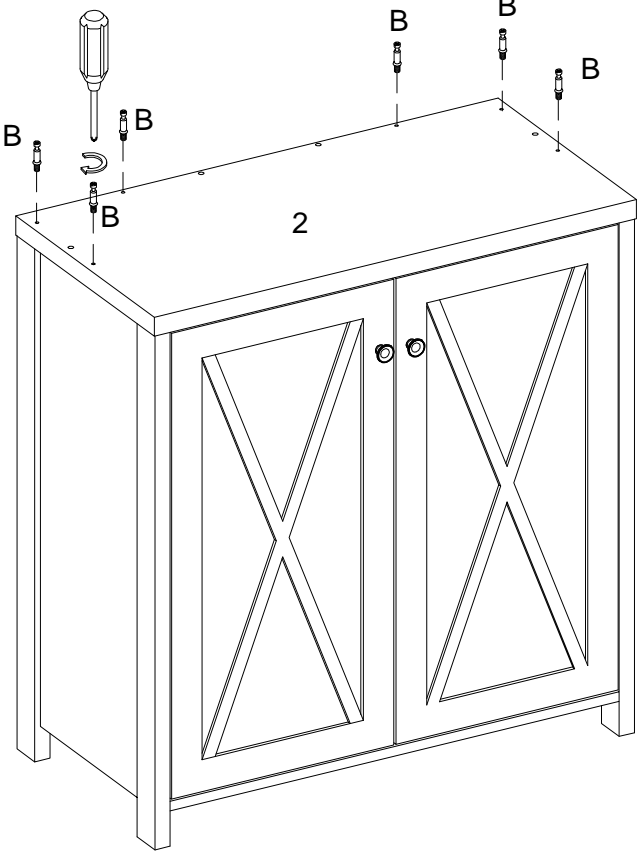
Step 16



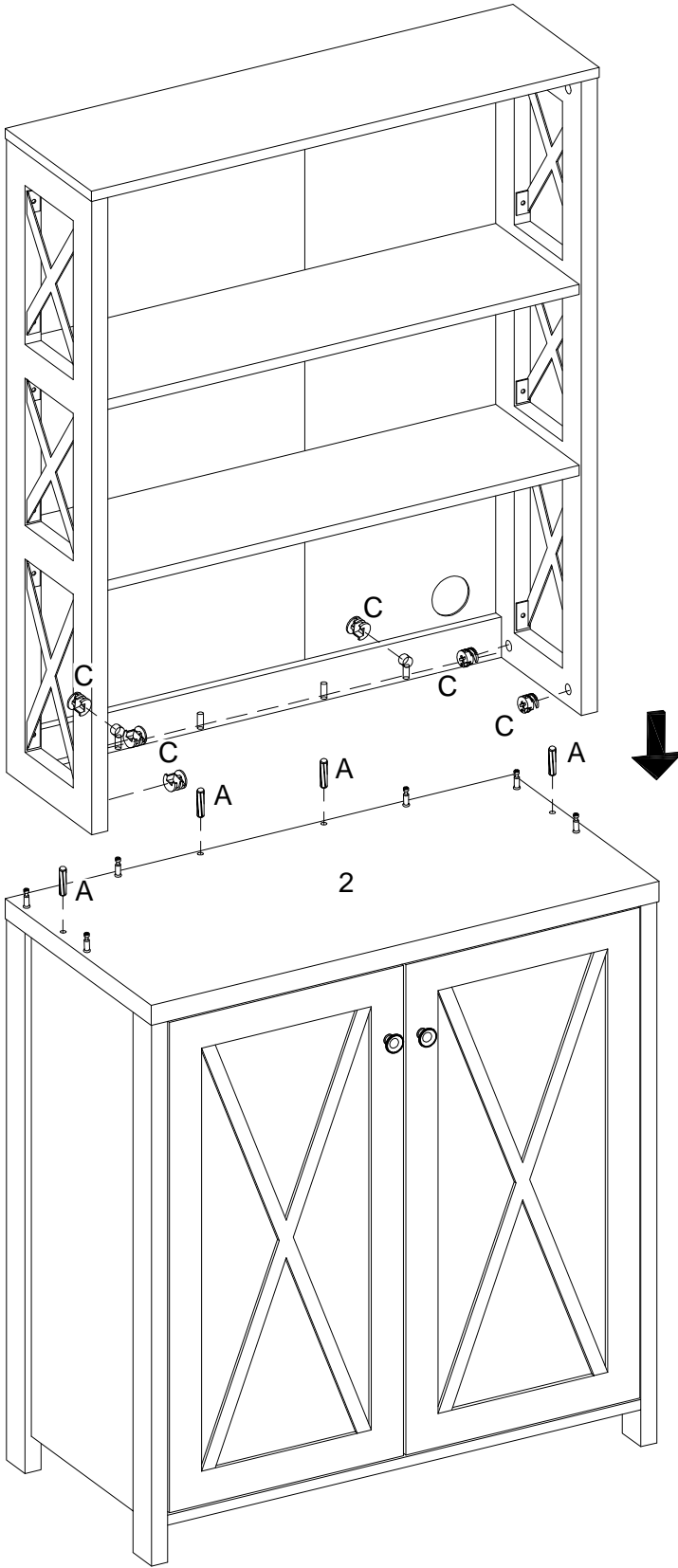
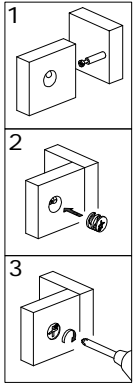
Step 17



Step 18



Step 19



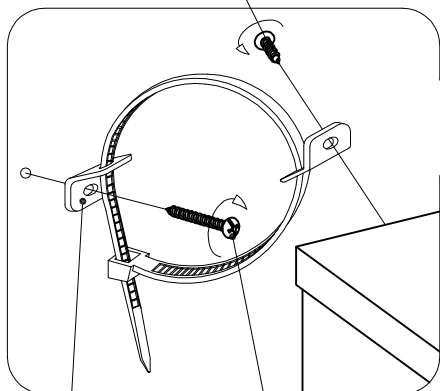
Step 20

WARNING

You must install the tip restraint hardware to help prevent any accidents or damage to the unit. We strongly recommend attaching the tip restraint hardware to a wall stud and your unit. For all other wall types, please visit your local hardware store to obtain the proper hardware.



Short Screw



Metal Bracket

Short Screw

