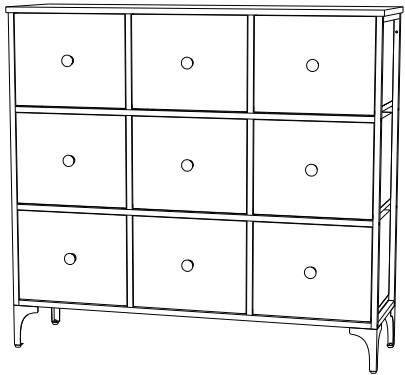


# Assemble Instruction

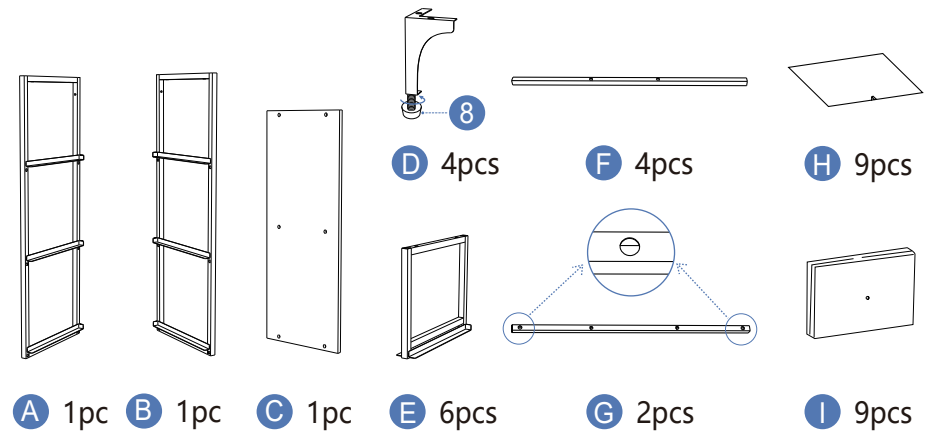
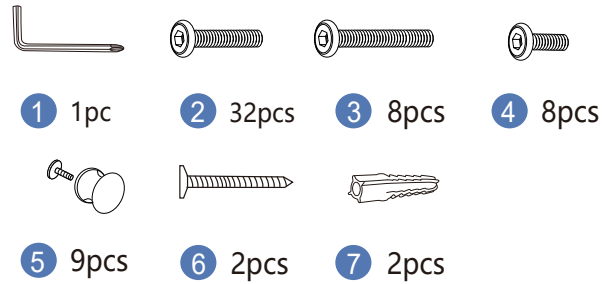
**ATTENTION: Do not tighten the screws until you have complete setup assembly.**

*If you have any question about the instructions, please kindly check out the installation video on our link page.*



## Product Assembly Accessories:

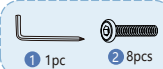
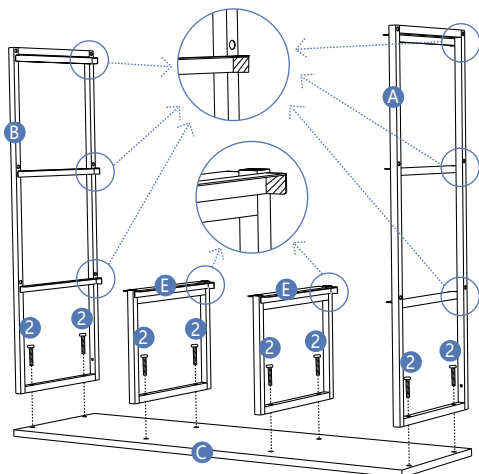
We prepare a spare one for part of the screws in case of damage or loss.



### step1:

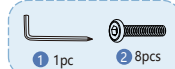
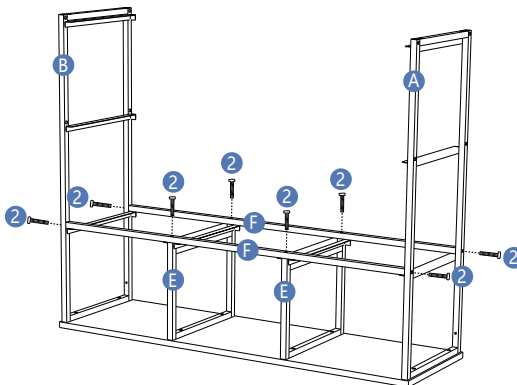
Secure the frame **A**, **E** and **B** to the board **C** with screw **2**.

**Note:** The stoppers for the drawers have to be on the same side.



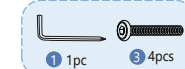
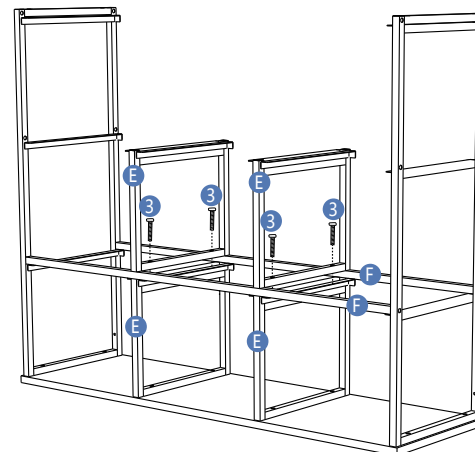
### step2:

1. Fix the frame **F** to the frame **A** and **B** with screw **2**.
2. Secure the frame **F** to the frame **E** with screw **2**.



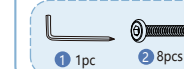
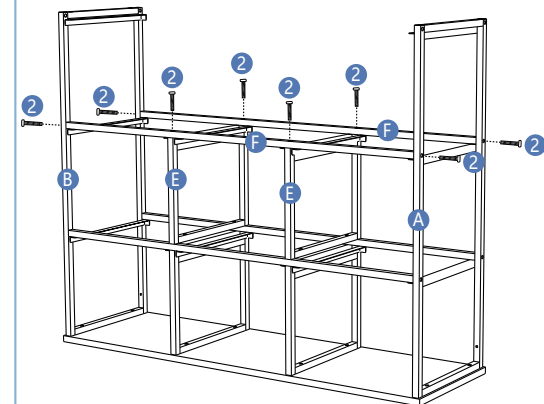
### step3:

Connect two frame **E** with screw **3**.



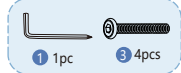
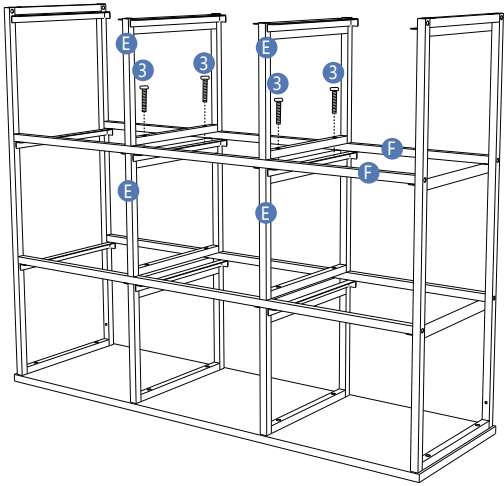
### step4:

1. Fix the frame **F** to the frame **A** and **B** with screw **2**.
2. Secure the frame **F** to the frame **E** with screw **2**.



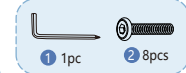
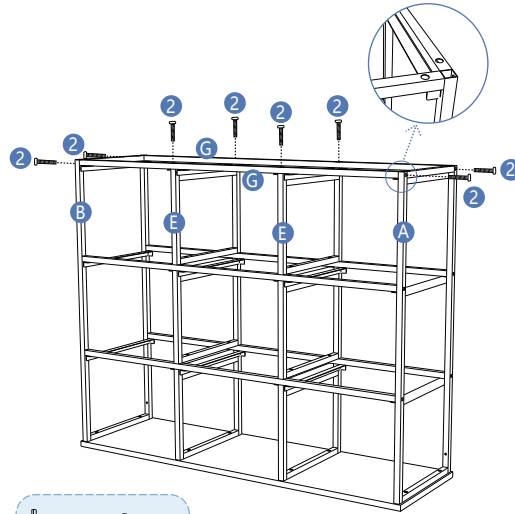
### step5:

Connect two frame **E** with screw **3**.



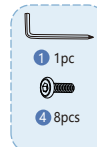
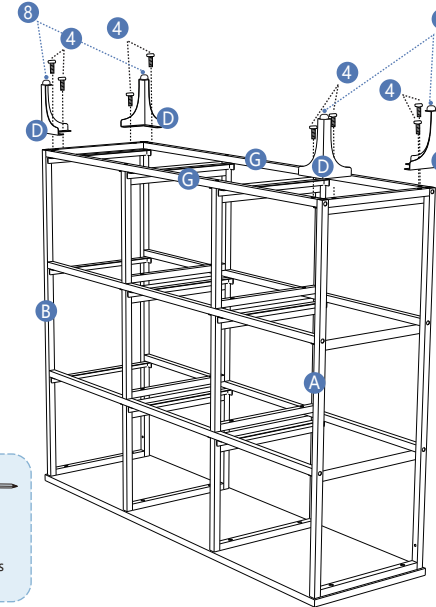
### step6:

1. Fix the frame **G** to the frame **A** and **B** with screw **2**.
2. Secure the frame **G** to the frame **E** with screw **2**.



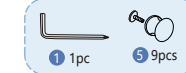
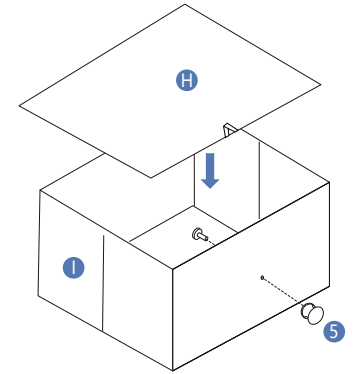
### step7:

1. Install metal feet **D** with screw **4**.
2. Adjustment feet **8** have been installed on **D** in advance. You can adjust the height by rotating it when the ground is uneven.



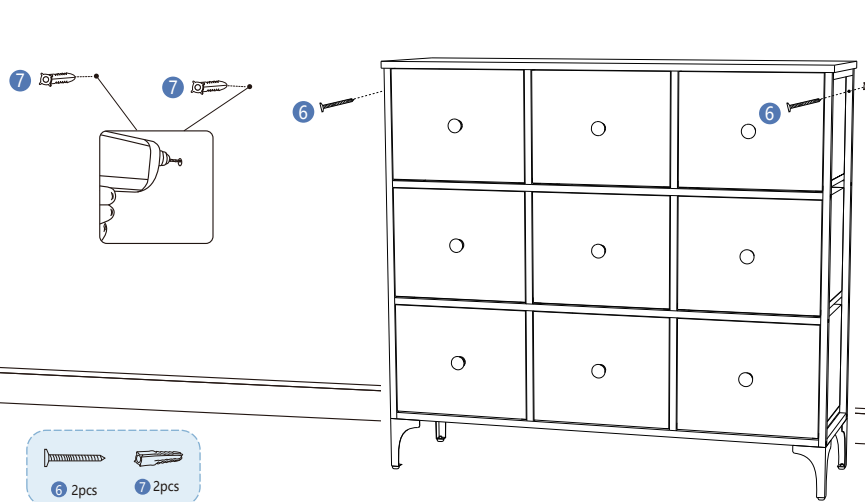
### step8:

Install the handle **5** on the drawer **I** with screws, insert the inner board **H**.



### step9:

Use a power drill to make holes in the wall, insert expansion screw **7**, and fix the dresser with screw **6**.



## Assembly Notes

- It is recommended that you categorize the accessories before installation to quickly find the required accessories during installation.
- When installing the frame, make sure that the end stoppers of the drawer slots of the three metal frames are in the same direction.

## Matters Needing Attention

- Please make sure the weight of the objects you put in the drawers follows the allowed weight standards.  
Max static load capacity of the tabletop: 65lb  
Max static load capacity of each drawer: 7lb
- Washing the entire dresser can be detrimental to its construction. Please clean it gently with a wet cloth instead.
- A smell of wood is present on all new products. Please keep the dresser in a well-ventilated room soon after construction so that the odor can leave.
- Secure the dresser to the wall with our provided anti-tip kit to enable stability and protection for your loved ones.