

Thank you for purchasing your new Item from. We are sure you are going to be pleased with it.

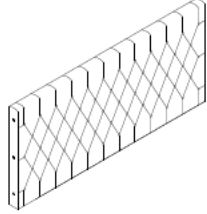
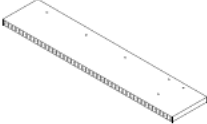
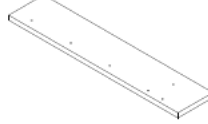
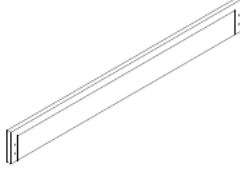




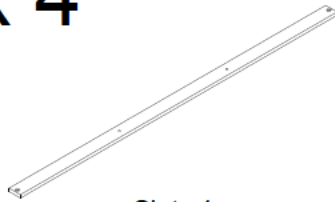

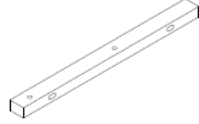
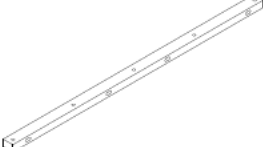

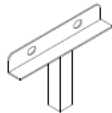
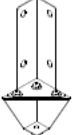





DO NOT RETURN TO THE STORE!

If parts are missing or damaged, we will gladly ship you replacements parts free of charge.

- If you need any assistance with your new item or if you are missing any parts please email us your inquiries at: We will be happy to assist and walk you through your assembly process.
- Work in a spacious area, preferably on carpet near where the item will be used.
- Although most items are easy to assemble, we recommend an extra pair of hands to make it easier on you.
- Check your item list to make sure all your parts and hardware are included before you begin the assembly process.
- It is important to follow each step as instructed to avoid any unwanted obstacles.



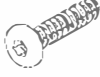


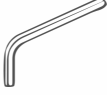
NOTE: ALL PARTS REQUIRED FOR ASSEMBLY OF THIS BED ARE PACKED IN THE OPEN SPACE IN THE BACK OF THE HEADBOARD PANEL.

<p>A x 1</p>  <p>Headboard</p>	<p>B x 1</p>  <p>Left bed wing</p>	<p>C x 1</p>  <p>Right bed wing</p>	<p>D x 1</p>  <p>Footboard</p>
<p>Right Side rail</p>		<p>Left Side rail</p>	
<p>E x 1</p> 	<p>F x 1</p> 	<p>G x 1</p> 	<p>H x 1</p> 
<p>I x 4</p>  <p>Slats 1</p>		<p>J x 5</p>  <p>Slats 2</p>	
<p>K x 4</p>  <p>Side Slats - A</p>	<p>L x 2</p>  <p>Side Slats - B</p>	<p>M x 4</p>  <p>Support Legs</p>	<p>N x 2</p>  <p>Side rail support Legs</p>
<p>O x 2</p>  <p>Footboard Legs</p>	<p>P x 12</p>  <p>5/16"x50mm</p>	<p>Q x 12</p>  <p>5/16"x25mm</p>	<p>R x 24</p>  <p>5/16"xØ19x2mm</p>



NOTE: UNIT SHOULD BE ASSEMBLED BY TWO OR MORE PEOPLE. DO NOT TIGHTEN ANY BOLTS UNTIL ALL BOLTS HAVE BEEN STARTED!

NOTE: ALL PARTS REQUIRED FOR ASSEMBLY OF THIS BED ARE PACKED IN THE OPEN SPACE IN THE BACK OF THE HEADBOARD PANEL.

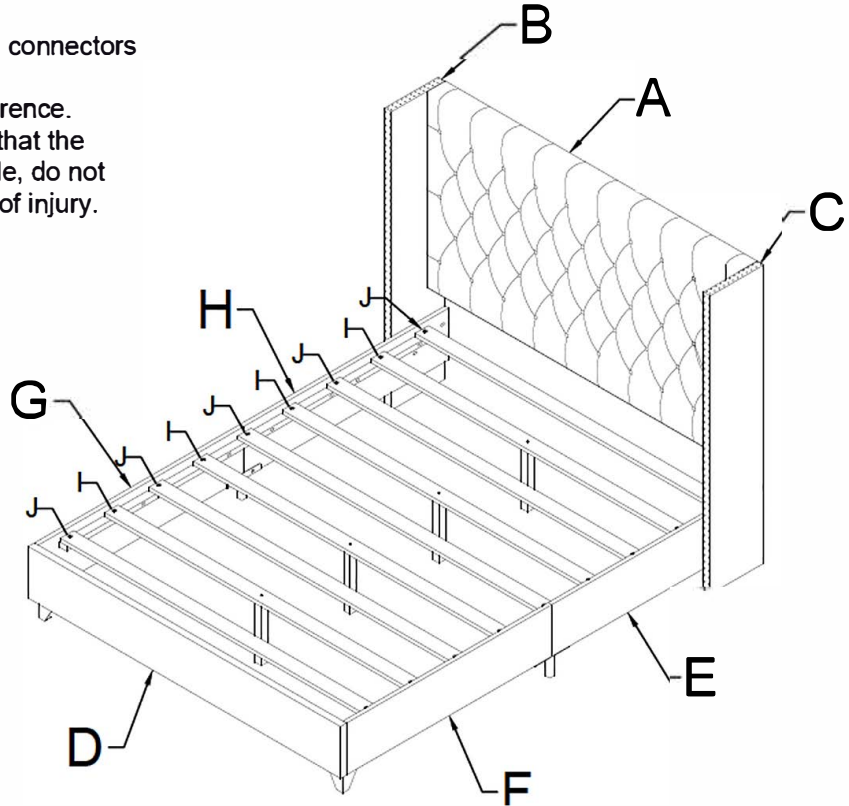
<p>S x 24</p>  <p>5/16"xØ13x1.5mm</p>	<p>T x 16</p>  <p>1/4"x55mm</p>	<p>U x 18</p>  <p>1/4"x32mm</p>	<p>V x 34</p>  <p>1/4"xØ19x2mm</p>
<p>W x 34</p>  <p>1/4"xØ11x1.5mm</p>	<p>X x 1</p>  <p>M4</p>		






**NOTE: UNIT SHOULD BE ASSEMBLED BY TWO OR MORE PEOPLE.
DO NOT TIGHTEN ANY BOLTS UNTIL ALL BOLTS HAVE BEEN STARTED!**

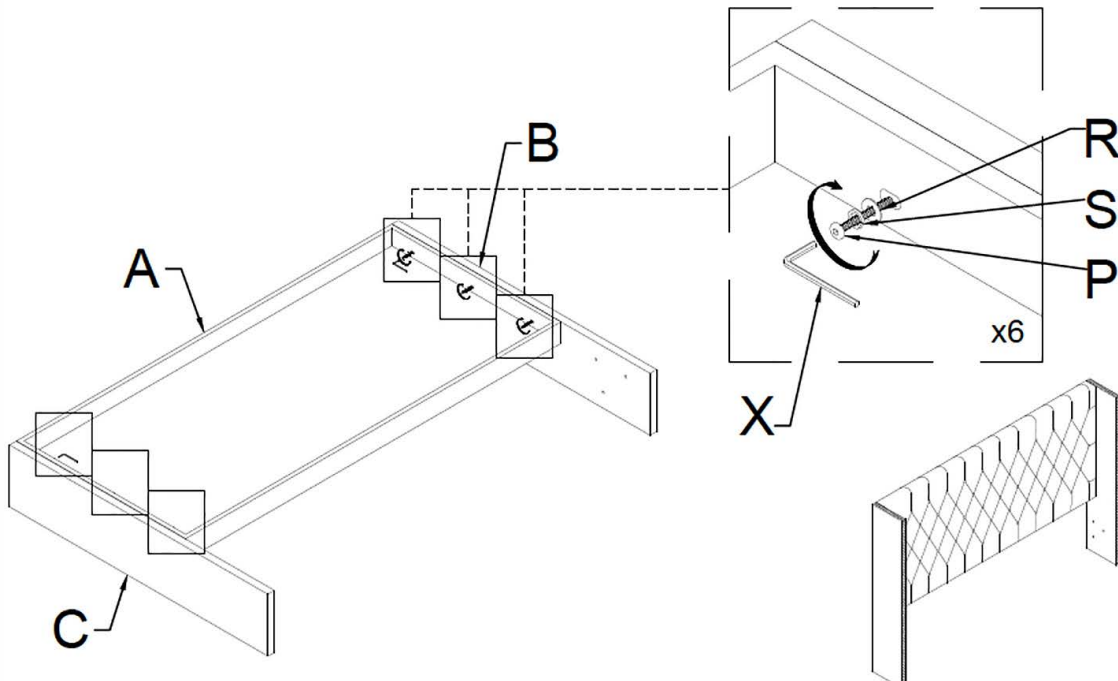
- * Always use proper tools.
- * Follow the assembly steps in order. Do not skip any steps.
- * Periodically check to ensure that all connectors (bolts, screws, etc.) are tight.
- * Keep the instructions for future reference.
- * Where assembly instructions state that the assembly requires two or more people, do not attempt by yourself as there is a risk of injury.

Part number of each part :






STEP 1:

P x 6  5/16"x50mm	R x 6  5/16"xØ19x2mm	S x 6  5/16"xØ13x1.5mm
--	---	---

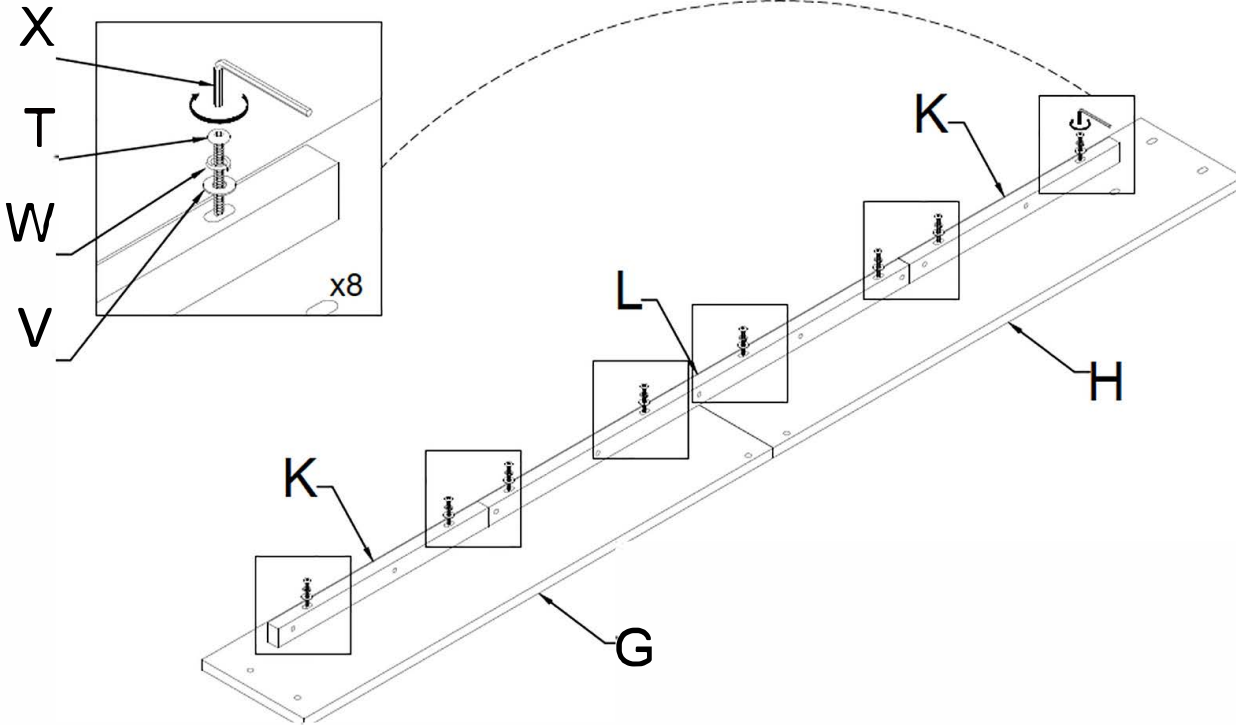


NOTE: UNIT SHOULD BE ASSEMBLED BY TWO OR MORE PEOPLE.
DO NOT TIGHTEN ANY BOLTS UNTIL ALL BOLTS HAVE BEEN STARTED!

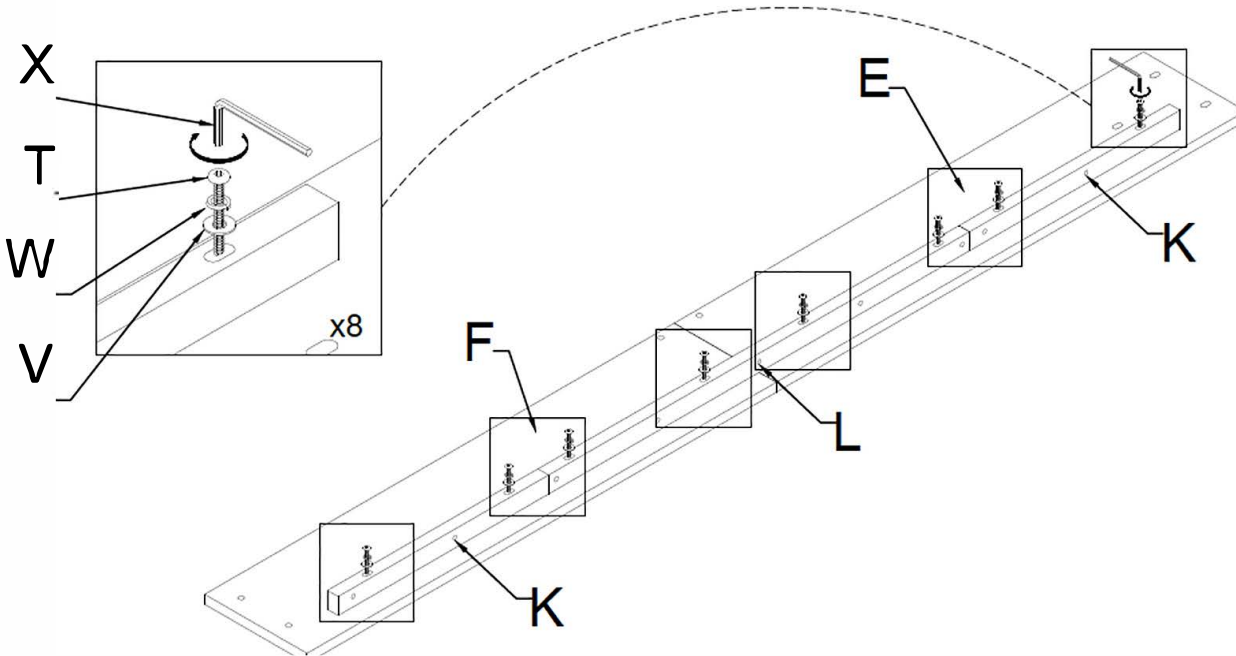
STEP 2:

T x 16  1/4"x55mm	V x 16  1/4"xØ19x2mm	W x 16  1/4"xØ11x1.5mm
--	---	---

Left Side Rails



Right Side Rails

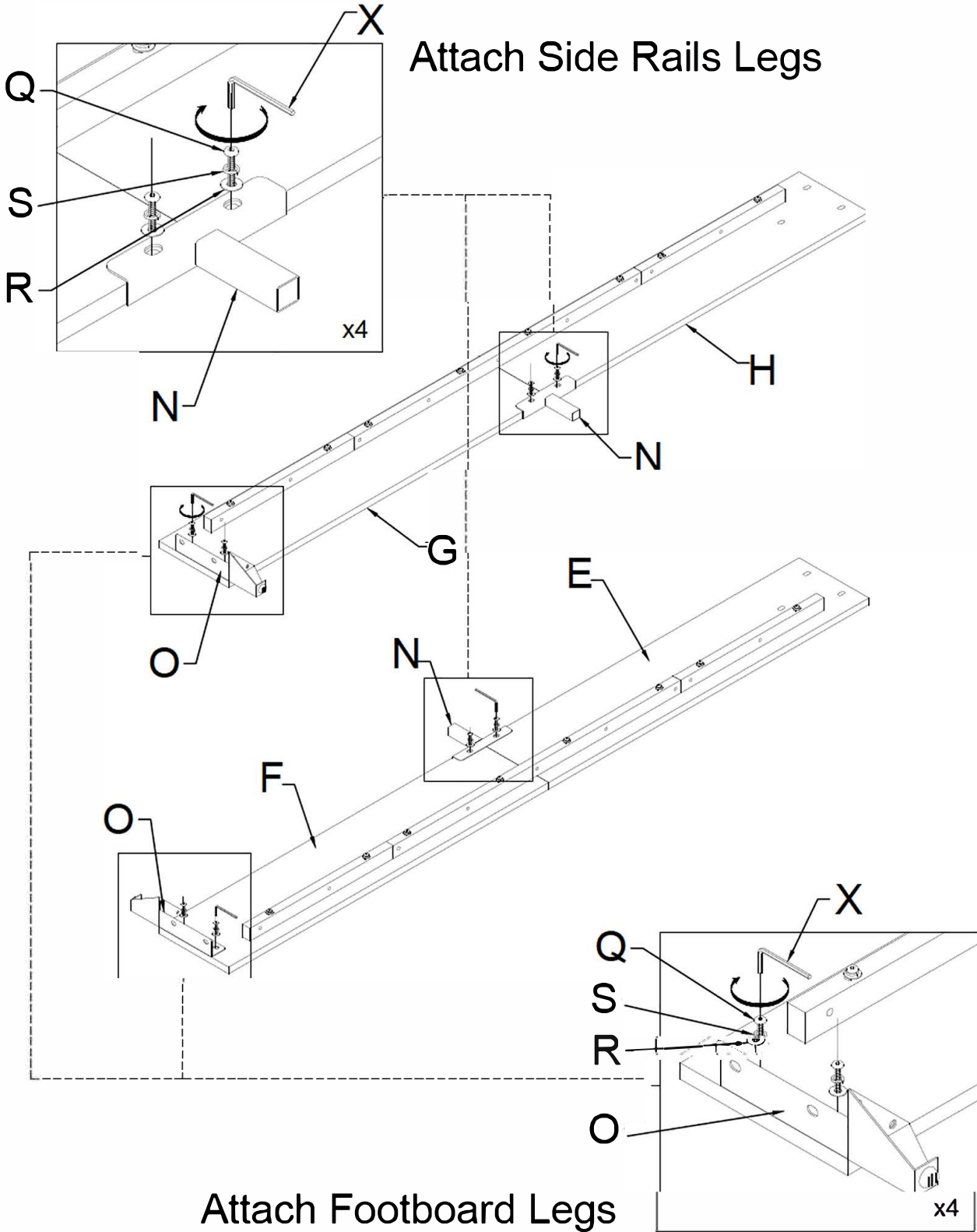


NOTE: UNIT SHOULD BE ASSEMBLED BY TWO OR MORE PEOPLE.
DO NOT TIGHTEN ANY BOLTS UNTIL ALL BOLTS HAVE BEEN STARTED!

STEP 3:

Q x 8  5/16"x25mm	R x 8  5/16"xØ19x2mm	S x 8  5/16"xØ11x1.5mm
--	---	---

Attach Side Rails Legs






Attach Footboard Legs

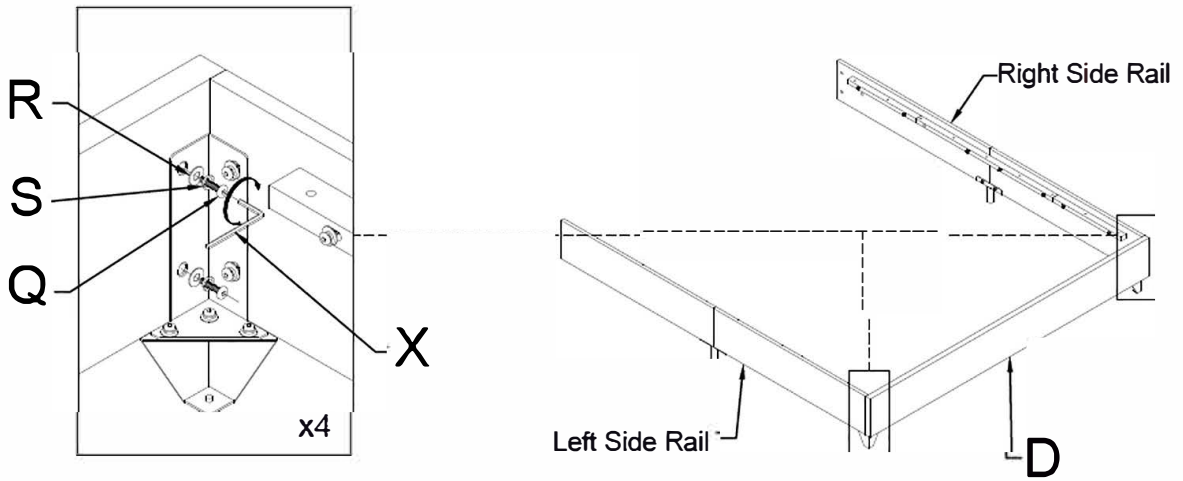


NOTE: UNIT SHOULD BE ASSEMBLED BY TWO OR MORE PEOPLE.
DO NOT TIGHTEN ANY BOLTS UNTIL ALL BOLTS HAVE BEEN STARTED!




STEP 4:

Q x 4  5/16" x 25mm	R x 4  5/16" x Ø19 x 2mm	S x 4  5/16" x Ø11 x 1.5mm
--	---	---

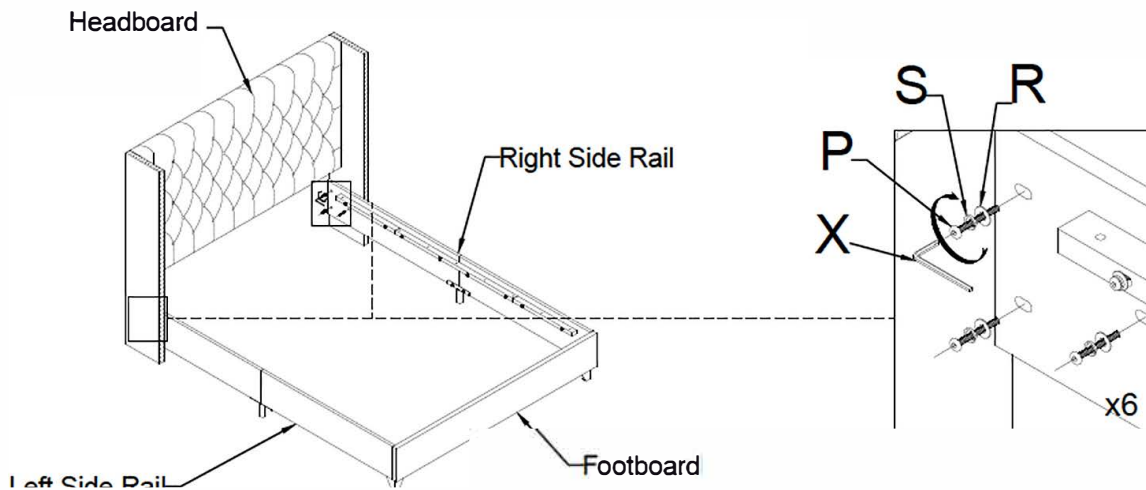
Attach Footboard to Side Rails



STEP 5:



P x 6  5/16" x 50mm	R x 6  5/16" x Ø19 x 2mm	S x 6  5/16" x Ø11 x 1.5mm
--	---	---

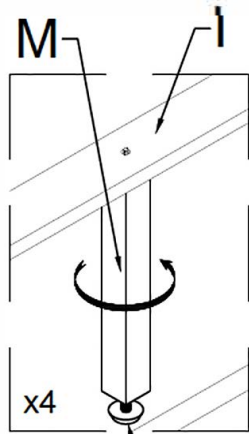
Attach Side Rails to Headboard



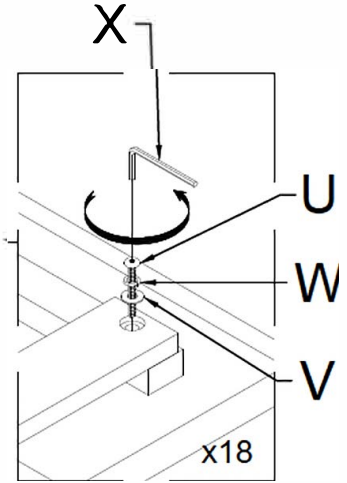
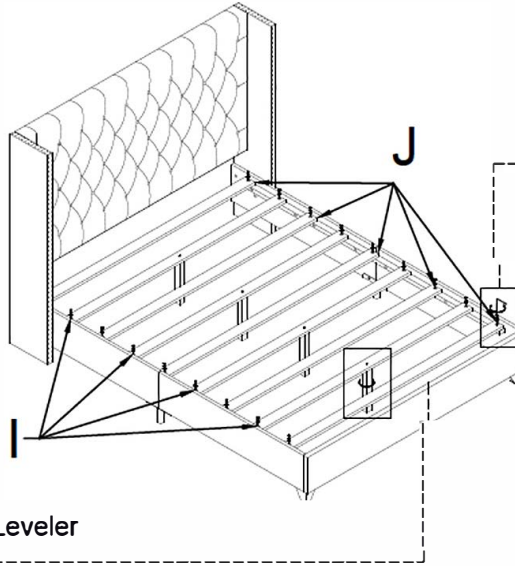
NOTE: UNIT SHOULD BE ASSEMBLED BY TWO OR MORE PEOPLE.
DO NOT TIGHTEN ANY BOLTS UNTIL ALL BOLTS HAVE BEEN STARTED!

STEP 6:

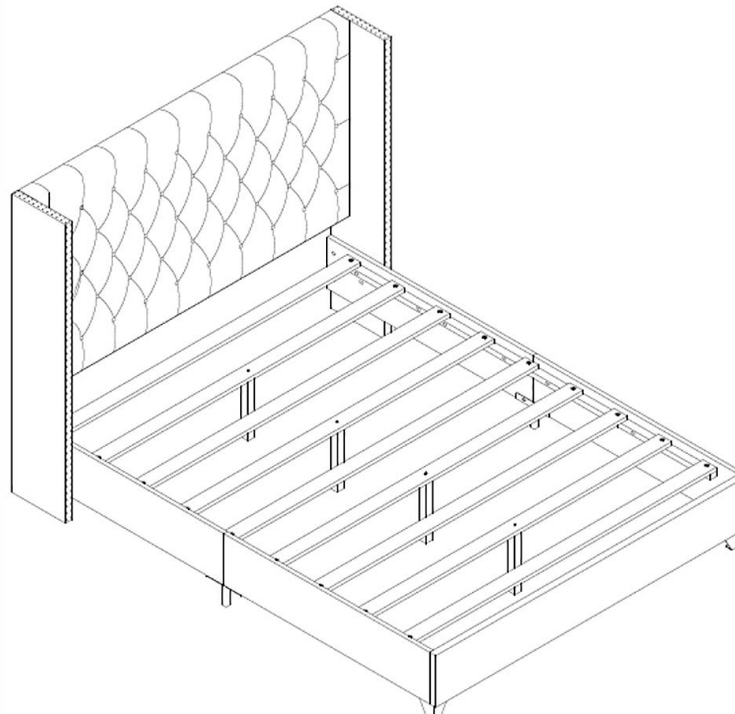
U x 18  1/4"x32mm	V x 18  1/4"xØ19x2mm	W x 18  1/4"xØ11x1.5mm
--	---	---



Adjustable Leveler



Turn Adjustable Leveler on the bottom of the Cross-Slat Support Leg leaving 6mm space between leveler and the floor.



NOTE: UNIT SHOULD BE ASSEMBLED BY TWO OR MORE PEOPLE.
DO NOT TIGHTEN ANY BOLTS UNTIL ALL BOLTS HAVE BEEN STARTED!