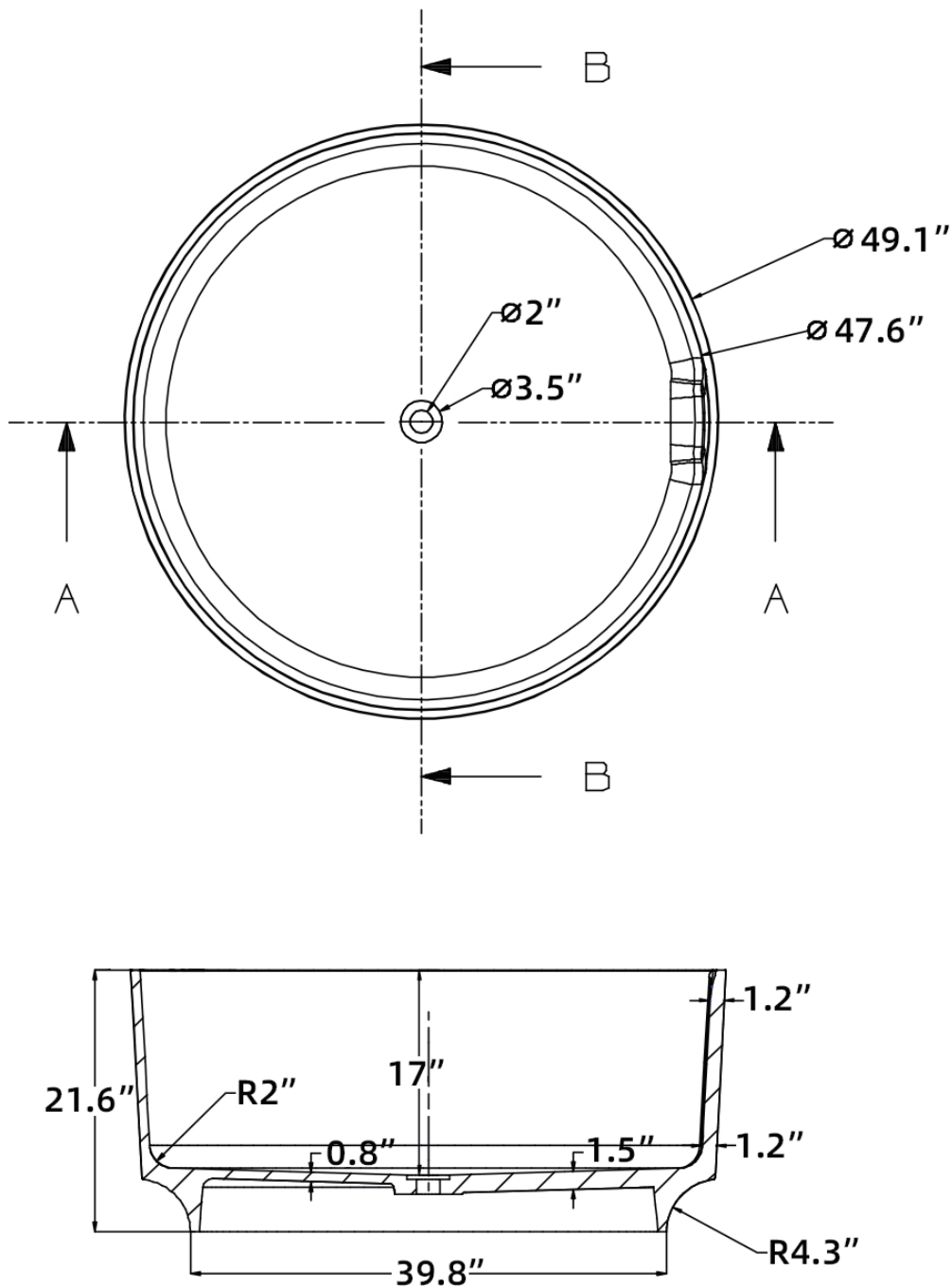


# Dimension/Specification



**Sku RX-S11-49**