



Handmade
in the heart of
BRITAIN

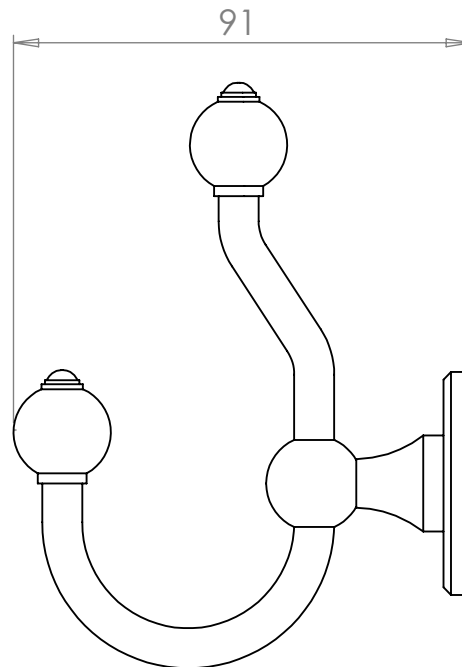
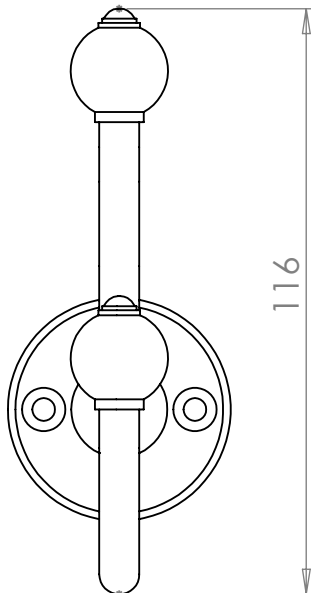
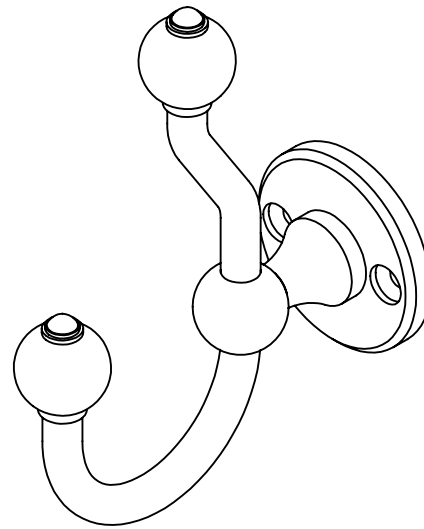
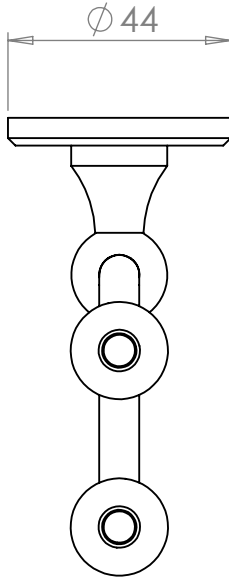
4-345xx

Double Coat Hook

13 July 2021

116H x 44W x 91D

UB - UNLACQUERED BRASS	CP - POLISHED CHROME
BB - BRUSHED BRASS	NP - POLISHED NICKEL
BN - BRUSHED NICKEL	LB - LIGHT BRONZE
LAB - LIGHT ANTIQUE BRONZE	MB - MEDIUM BRONZE
MAB - MEDIUM ANTIQUE BRONZE	DB - DARK BRONZE
DAB - DARK ANTIQUE BRONZE	GP - GOLD PLATED
AG - ANTIQUE GOLD	GM - GUN METAL
MWP - MATT WHITE P.COAT	MBP - MATT BLACK P.COAT



THE STERLINGHAM CO. LTD.

SCALE: 1:1

APPROX WEIGHT 0.17KG

MANUFACTURED FROM BRASS

Units 2 & 2A Stamford Street
Amblecote, Stourbridge,
Worcestershire
England, DY8 4HR

Telephone : 01384 370901
Fax : 01384 880159
sales@sterlingham.co.uk
www.sterlingham.co.uk



Handmade
in the heart of
BRITAIN

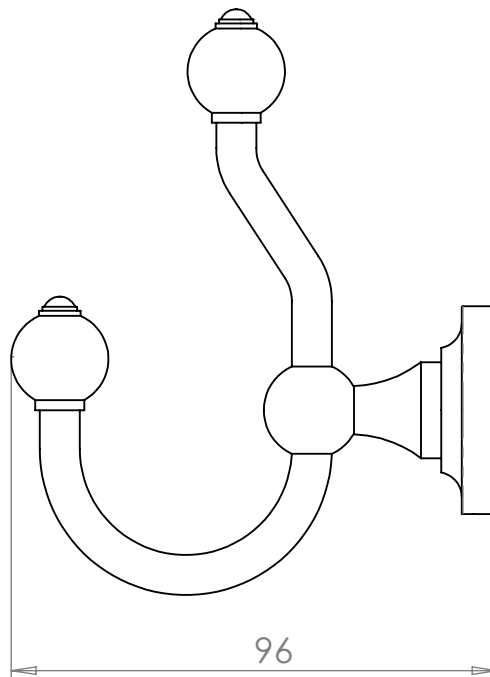
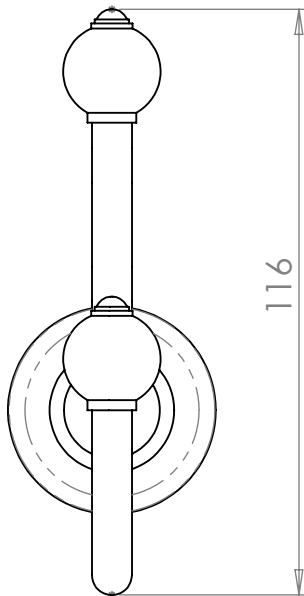
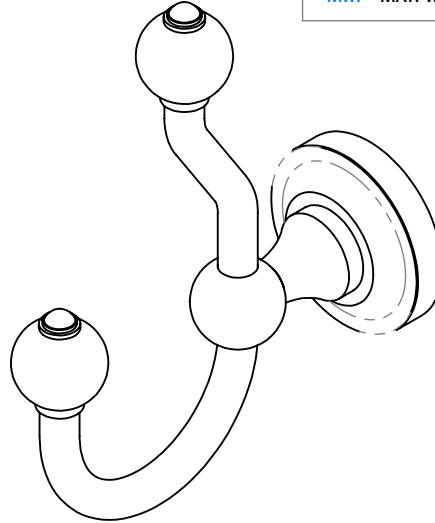
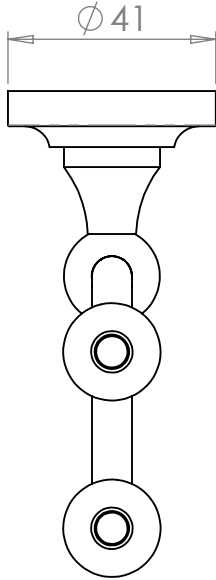
4-345CLD-xx

Double Coat Hook

13 July 2021

116H x 41W x 96D

- | | |
|-----------------------------|-------------------------|
| UB - UNLACQUERED BRASS | CP - POLISHED CHROME |
| BB - BRUSHED BRASS | NP - POLISHED NICKEL |
| BN - BRUSHED NICKEL | LB - LIGHT BRONZE |
| LAB - LIGHT ANTIQUE BRONZE | MB - MEDIUM BRONZE |
| MAB - MEDIUM ANTIQUE BRONZE | DB - DARK BRONZE |
| DAB - DARK ANTIQUE BRONZE | GP - GOLD PLATED |
| AG - ANTIQUE GOLD | GM - GUN METAL |
| MWP - MATT WHITE P.COAT | MBP - MATT BLACK P.COAT |



THE STERLINGHAM CO. LTD.

SCALE: 1:2 APPROX WEIGHT 0.17KG

MANUFACTURED FROM BRASS

Units 2 & 2A Stamford Street
Amblecote, Stourbridge,
Worcestershire
England, DY8 4HR

Telephone : 01384 370901
Fax : 01384 880159
sales@sterlingham.co.uk
www.sterlingham.co.uk