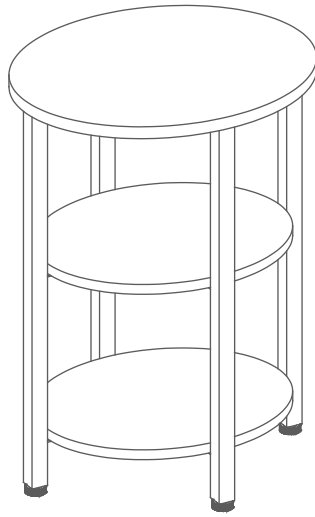
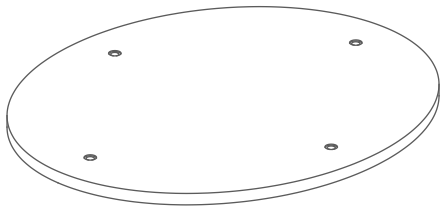


ASSEMBLY INSTRUCTION FOR GET005

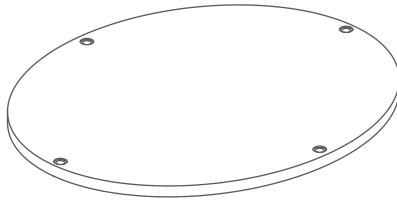


1



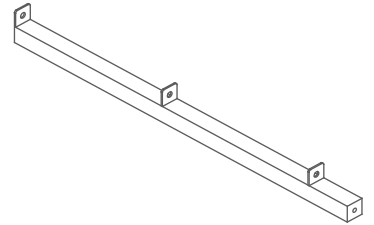
1PC

2



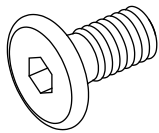
2PCS

3



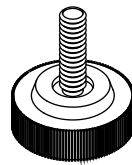
4PCS

A

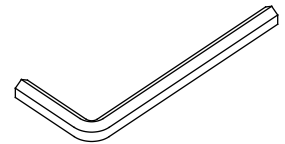


M6x12mm
6PCS

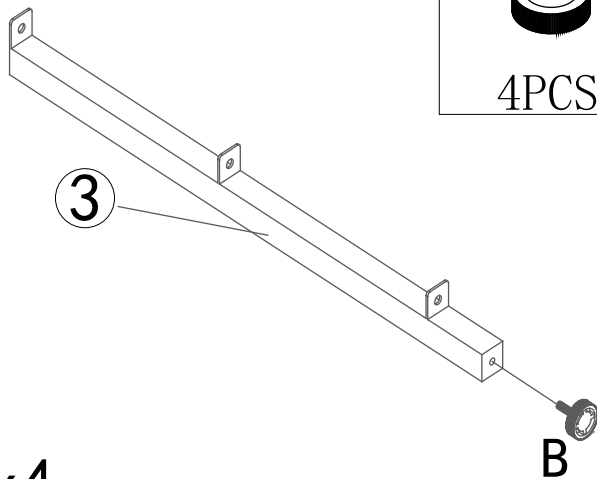
B



4PCS

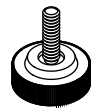


Step1



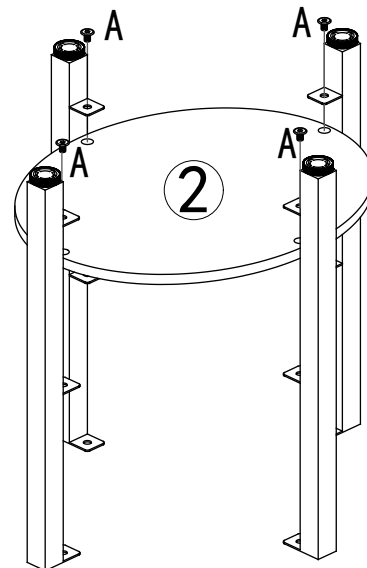
x4

B

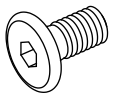


4PCS

Step2



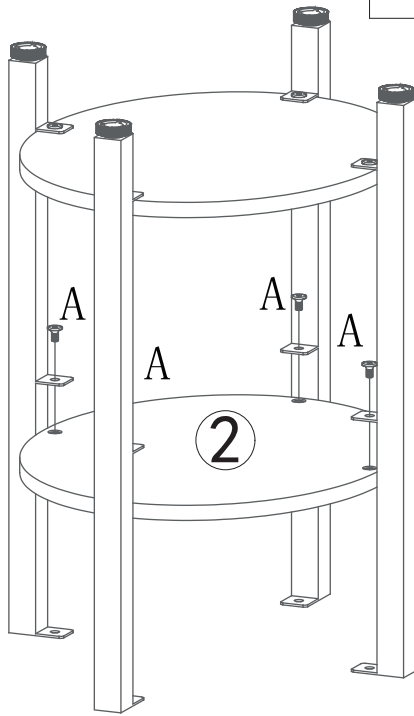
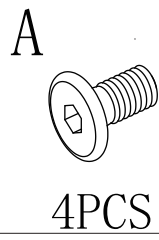
A



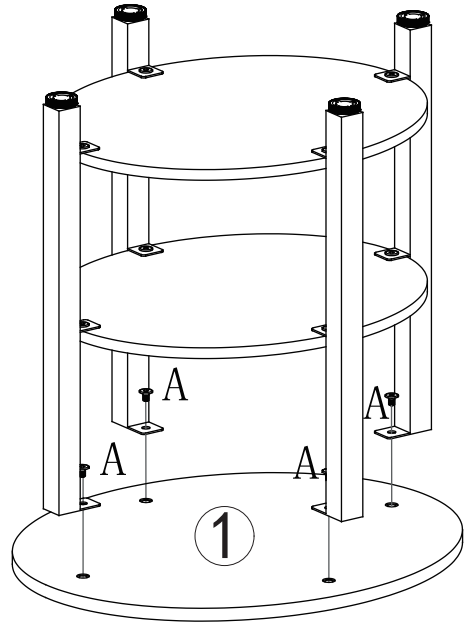
4PCS

ASSEMBLY INSTRUCTION FOR GET005 P2

Step3



Step4



Step5

