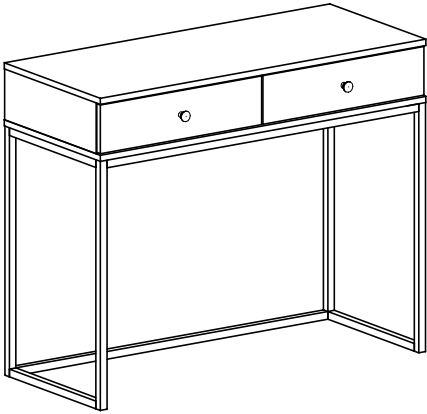
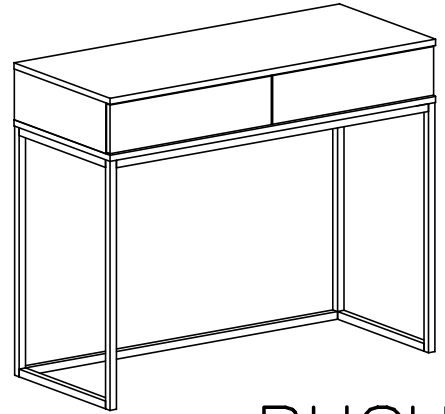


Installation & Assembly

ver.1

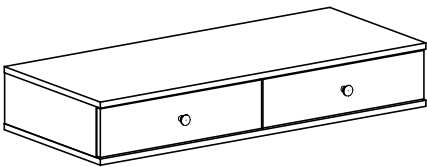


ver.2

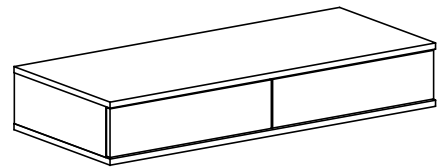


PUSH

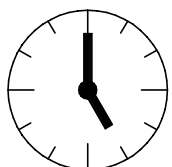
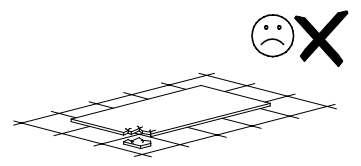
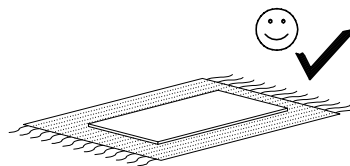
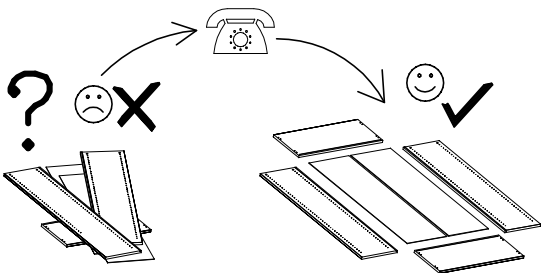
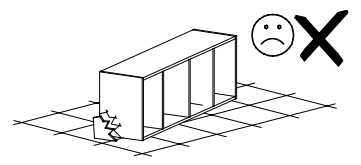
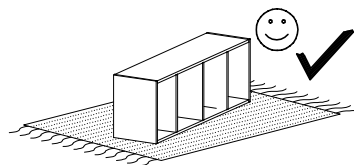
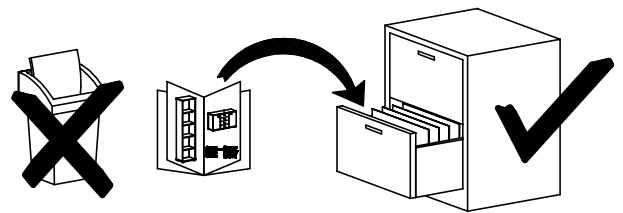
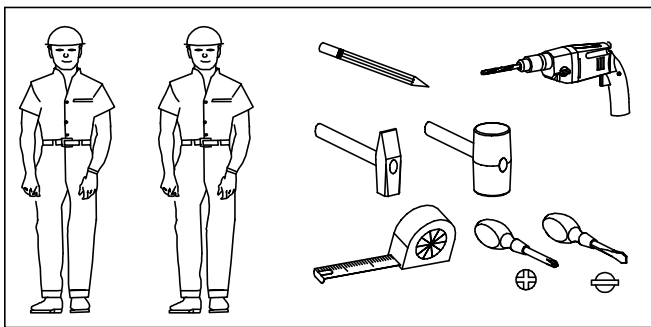
ver.3



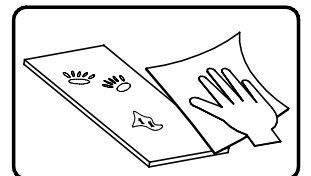
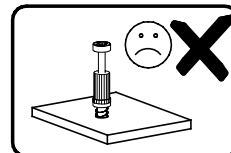
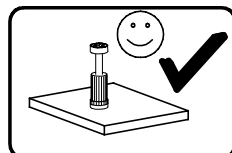
ver.4

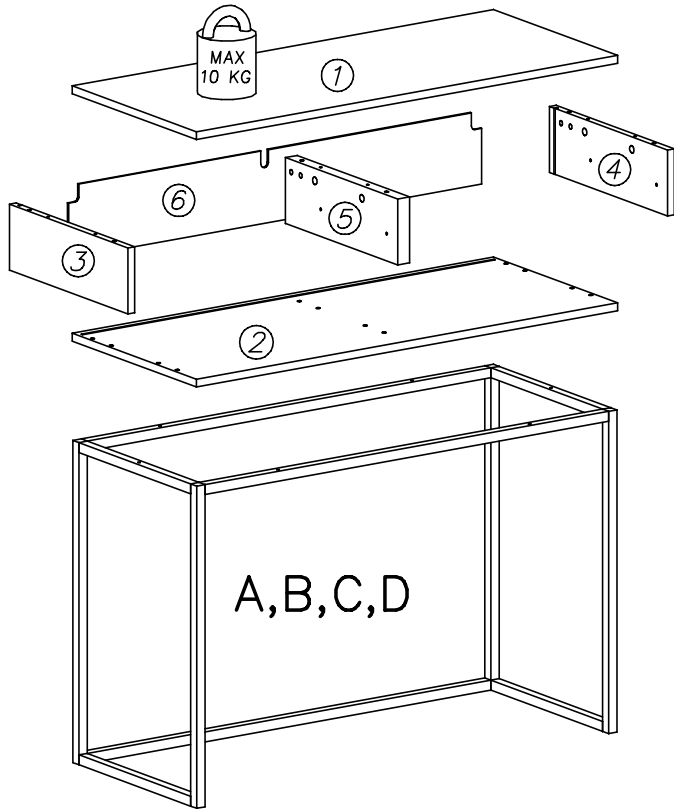
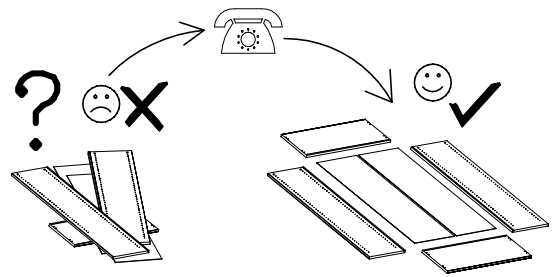
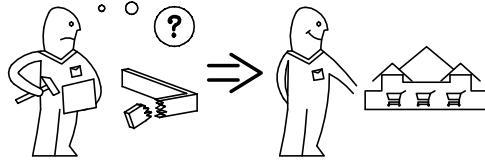
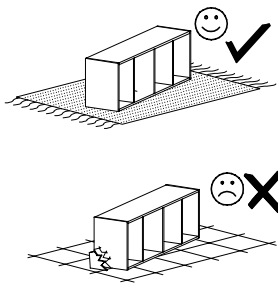


PUSH

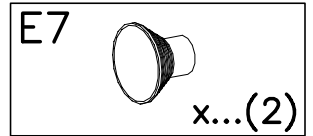


1,5h

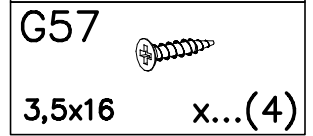
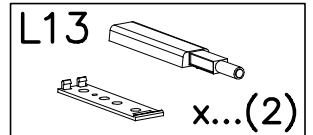




ver.1,3

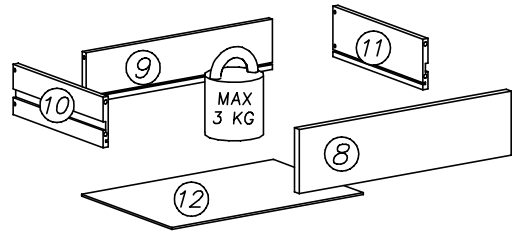


ver.2,4



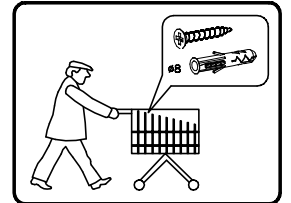
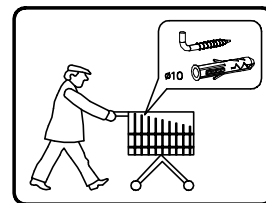
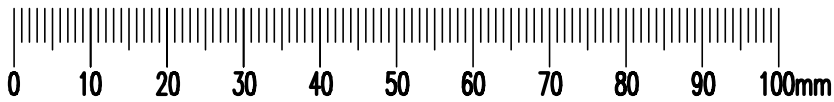
A,B,C,D

PUSH



nr	L[mm]	B[mm]	T[mm]	Menge	Coll
1	1002	422	16	1	1/1
2	1002	422	16	1	1/1
3	133	400	16	1	1/1
4	133	400	16	1	1/1
5	133	380	28	1	1/1
6	145	980	2,5	1	1/1

nr	L[mm]	B[mm]	T[mm]	Menge	Coll
8	494	126	16	2	1/1
9	437	100	12	2	1/1
10	300	100	12	2	1/1
11	300	100	12	2	1/1
12	447	301	2,5	2	1/1



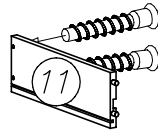
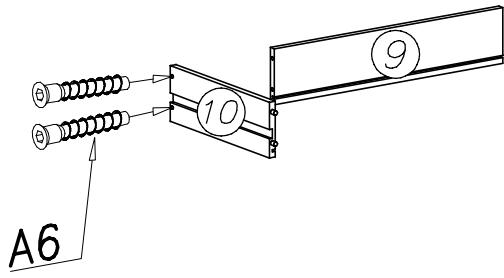
U9L x...(1)	F4 x...(1)	G34 3,5x16 x...(1)
---------------------------	--------------------------	----------------------------------

U9R x...(2)	G34 3,5x16 x...(2)	H3 280mm x...(4)	G50 6x13 x...(8)
---------------------------	----------------------------------	--------------------------------	--------------------------------

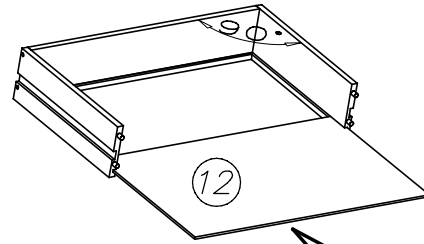
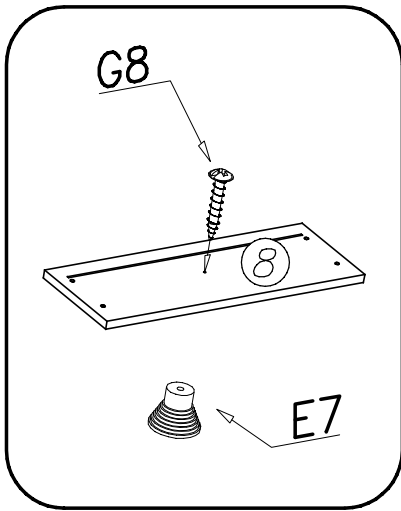
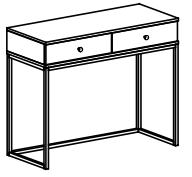
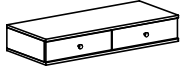
K1 ø15x12 x...(6)	G8 4x30 x...(8)	N1 M4x9 x...(4)	I1 x...(4)	W1 x...(1)
---------------------------------	-------------------------------	-------------------------------	--------------------------	--------------------------

K10 x...(6)	B1 ø8x35 x...(20)	W2 x...(1)	A6 ø7x40 x...(8)	A1 ø7x50 x...(6)
---------------------------	---------------------------------	--------------------------	--------------------------------	--------------------------------

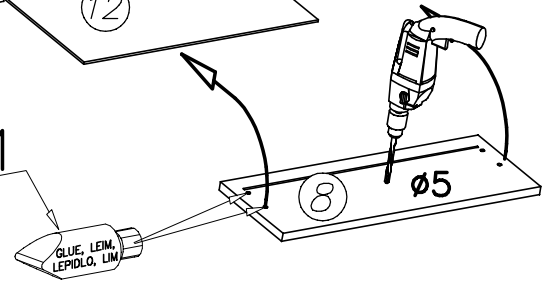
I



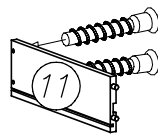
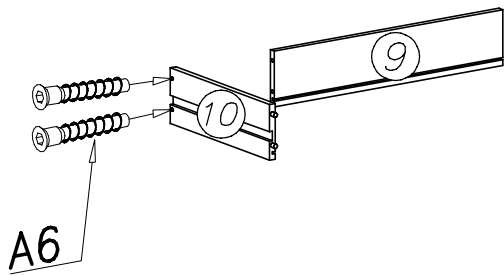
ver 1,3



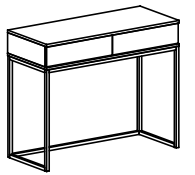
W1



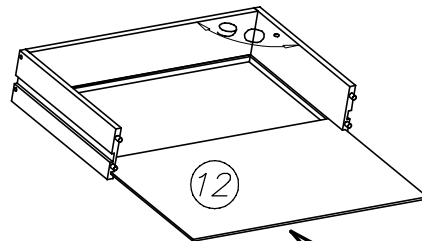
II



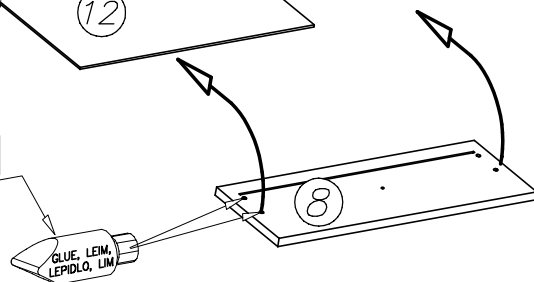
ver 2,4



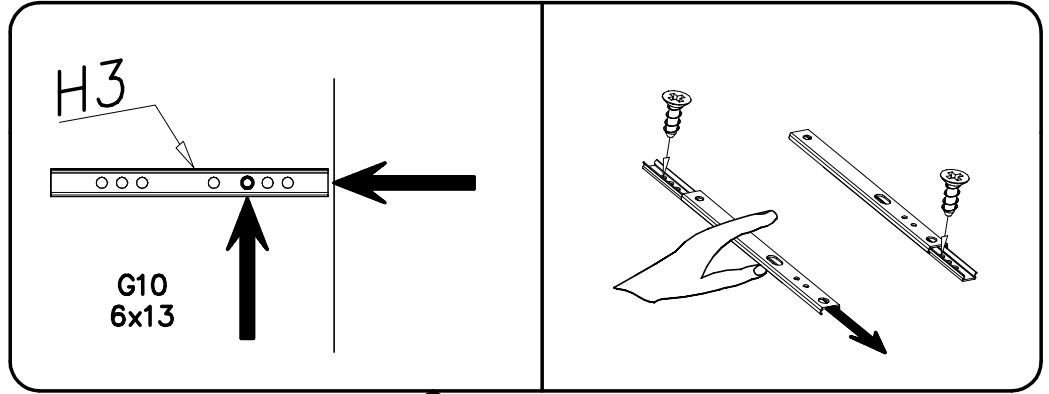
PUSH



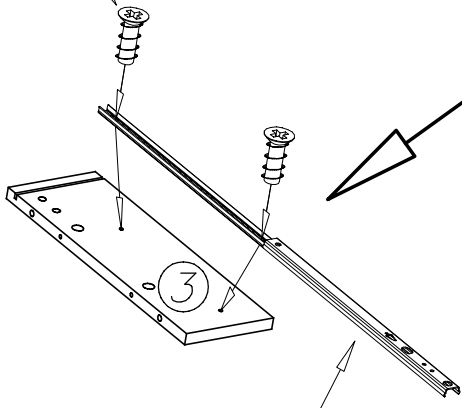
W1



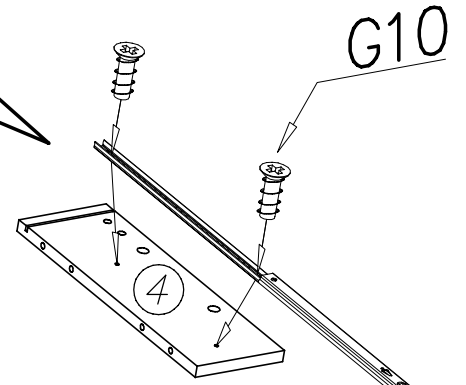
III



G10

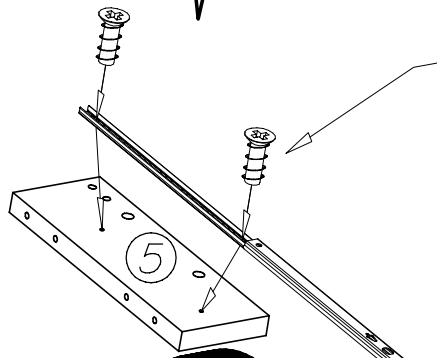


H3



G10

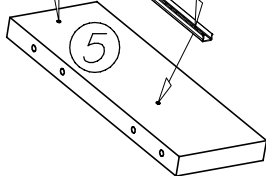
H3



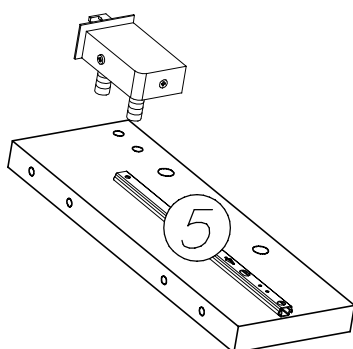
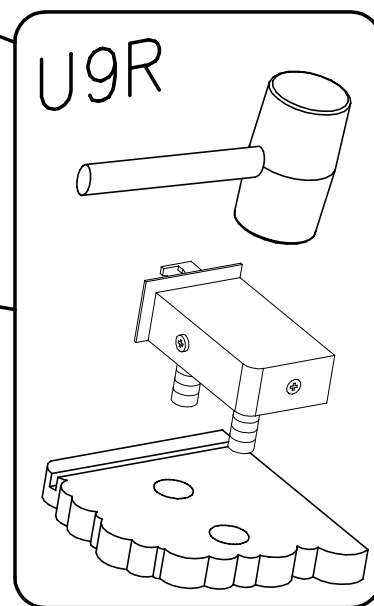
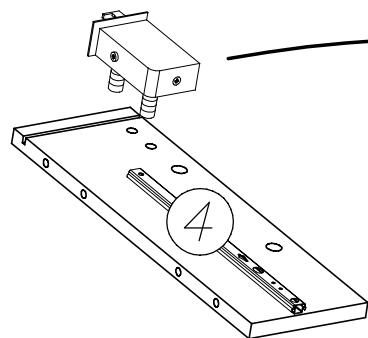
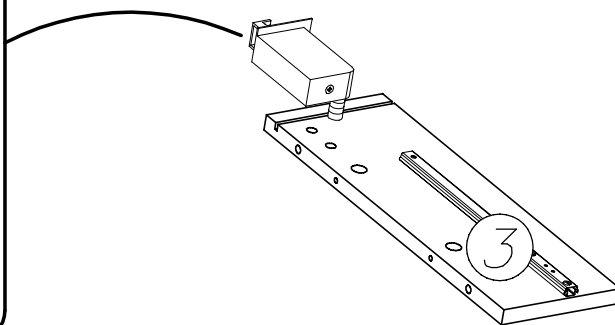
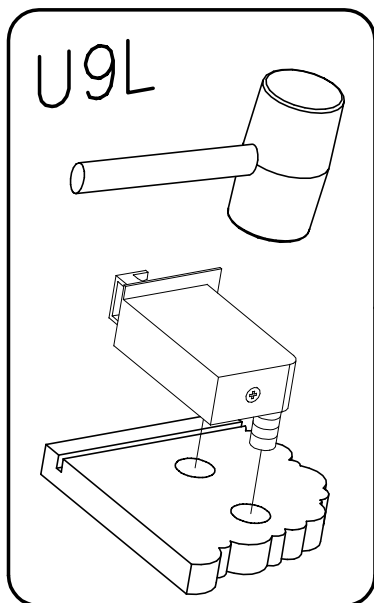
G10

H3

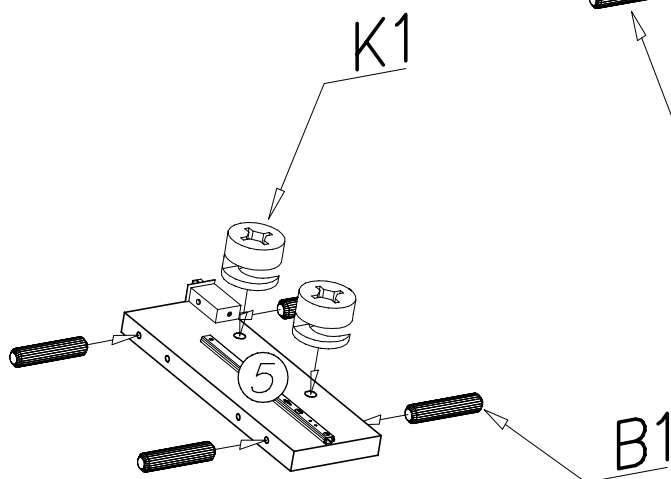
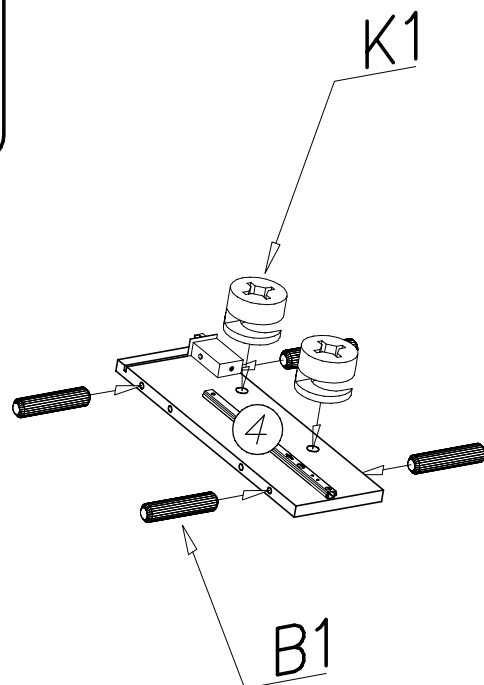
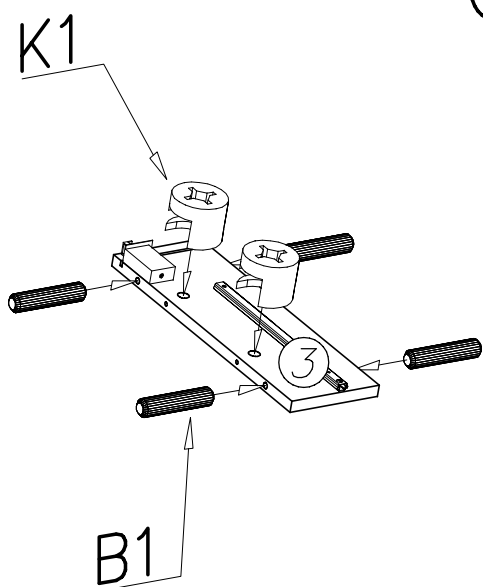
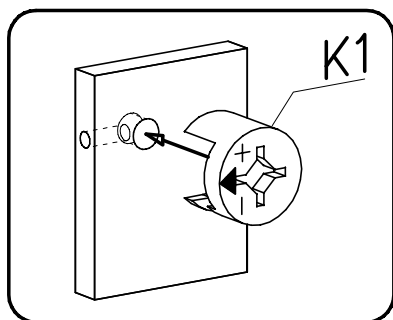
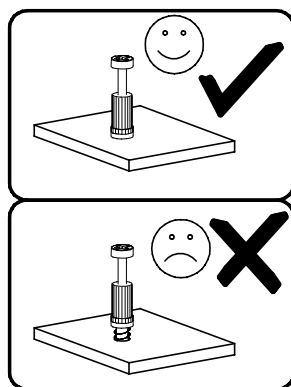
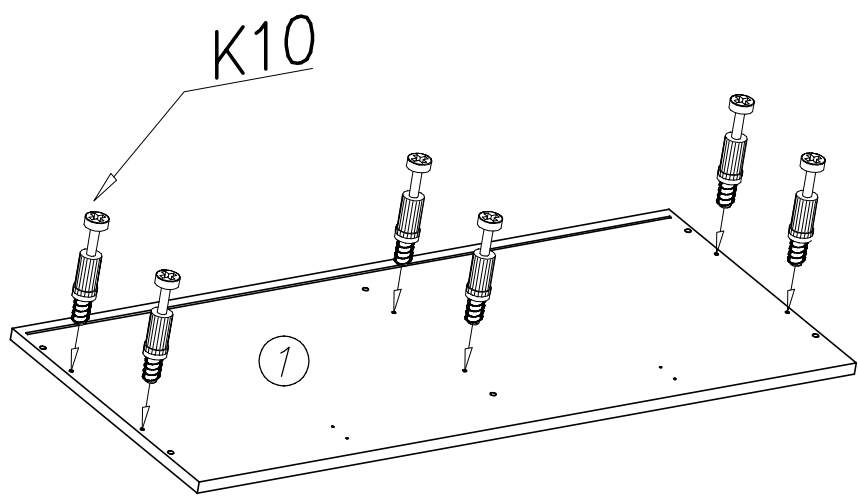
H3



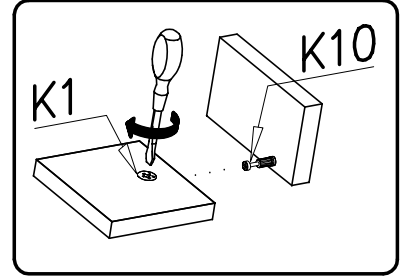
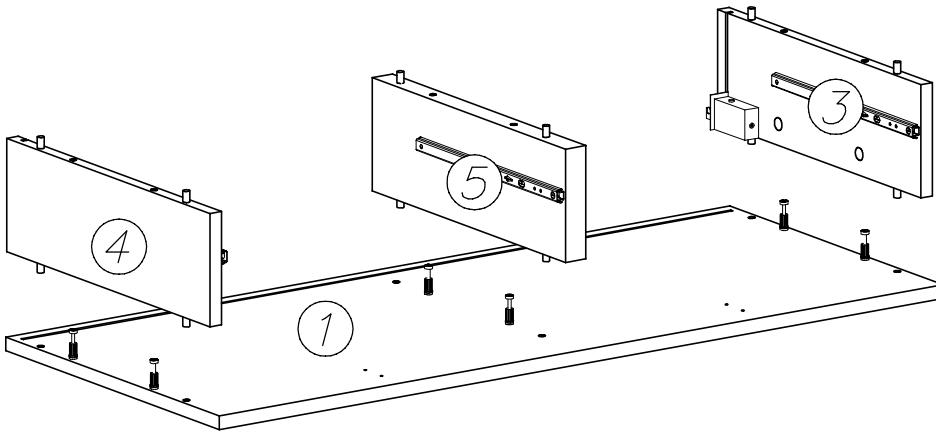
IV



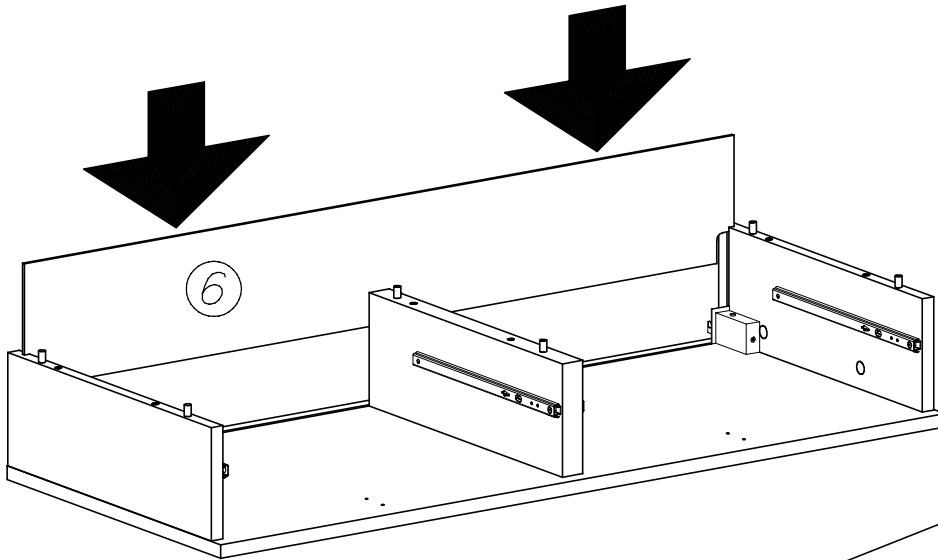
V



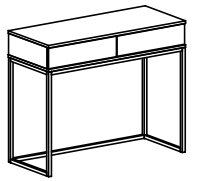
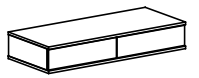
VI



VII

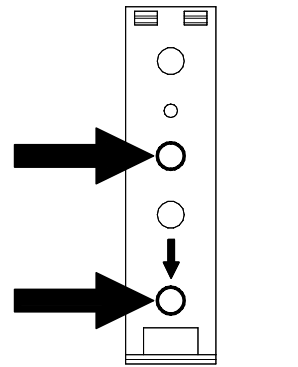
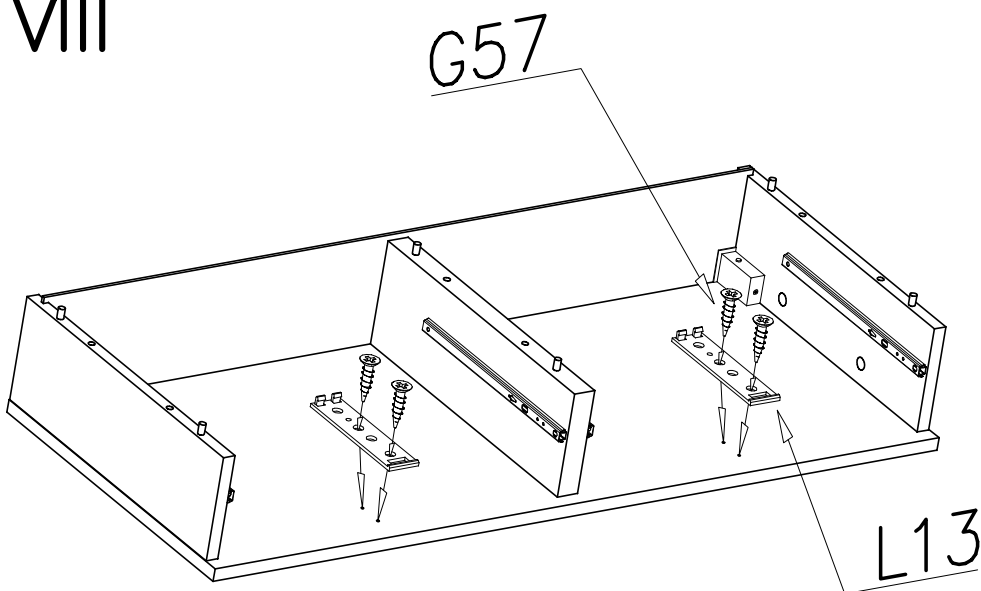


ver 2,4



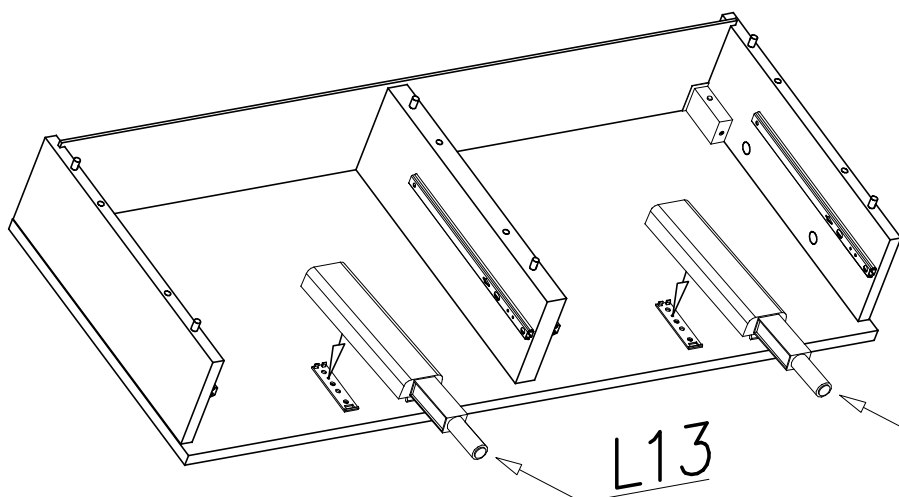
PUSH

VIII



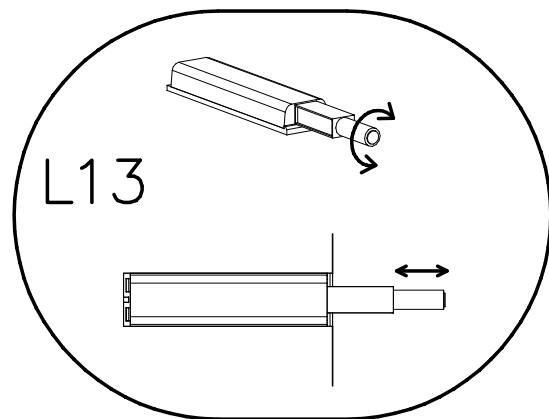
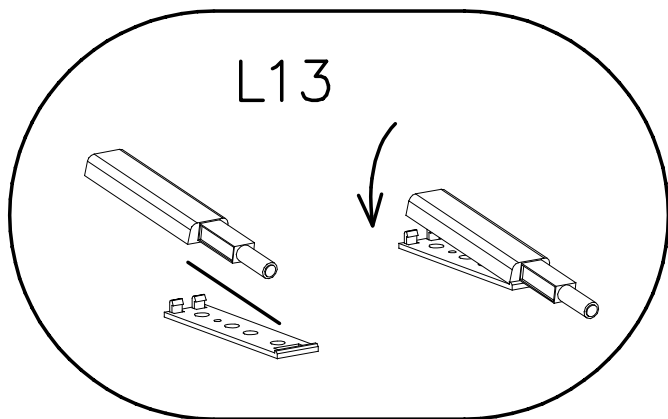
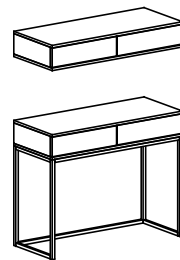
front

IX

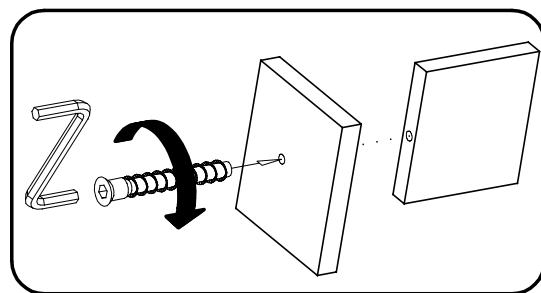
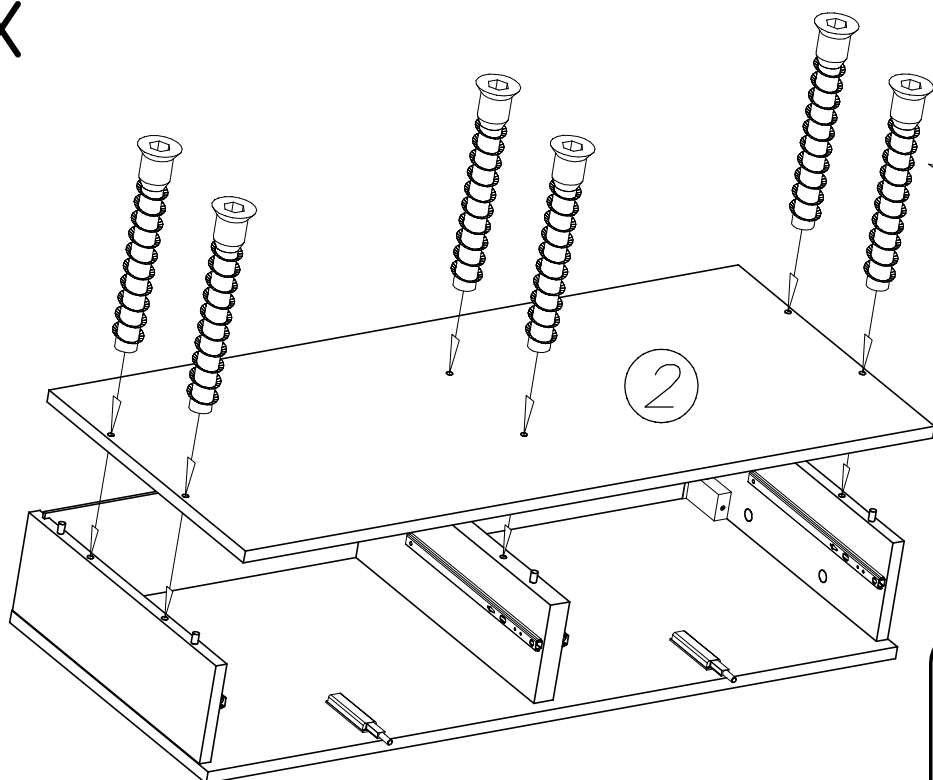


ver 2,4

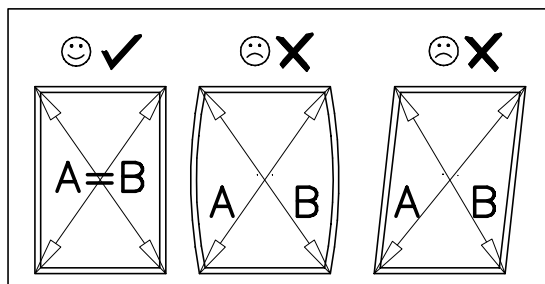
PUSH



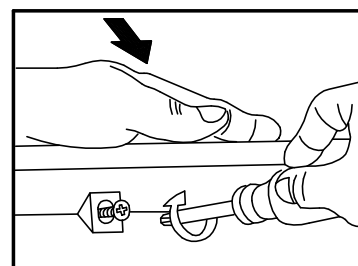
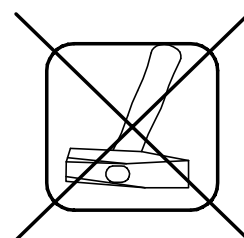
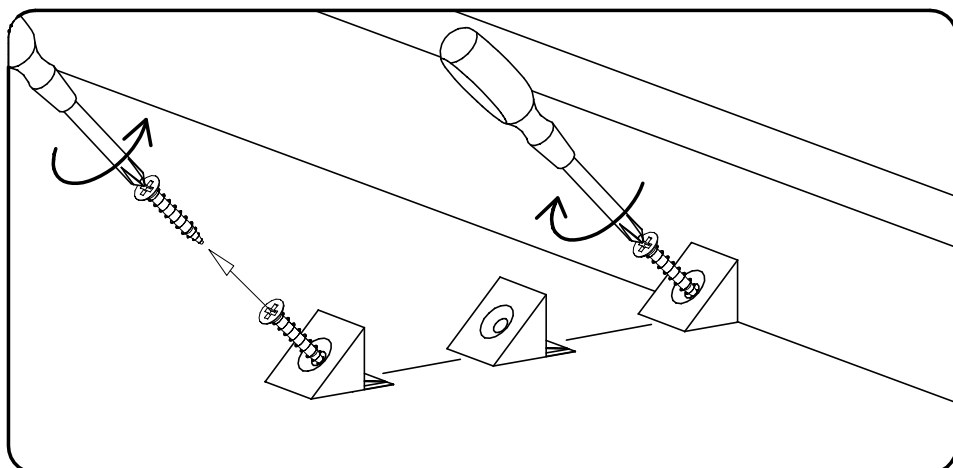
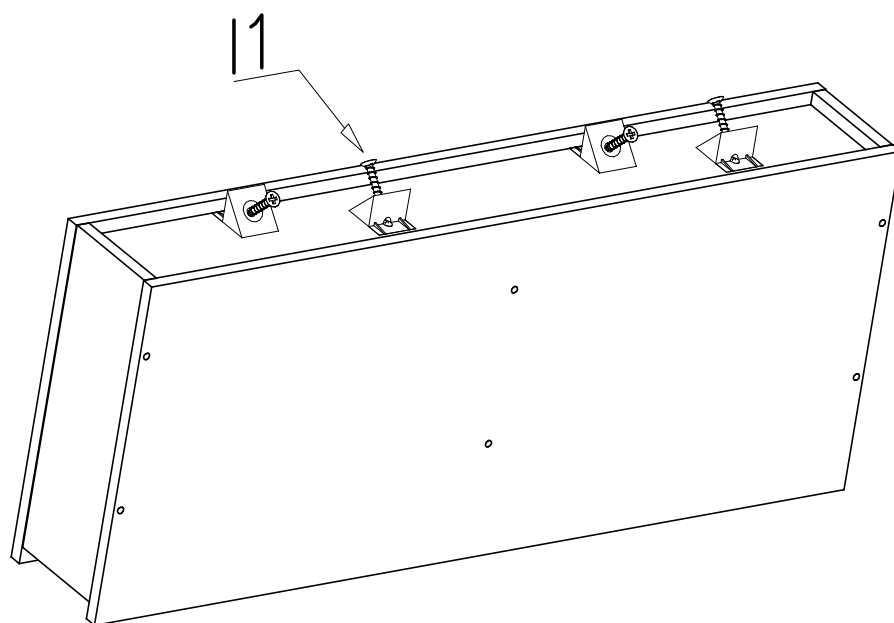
X



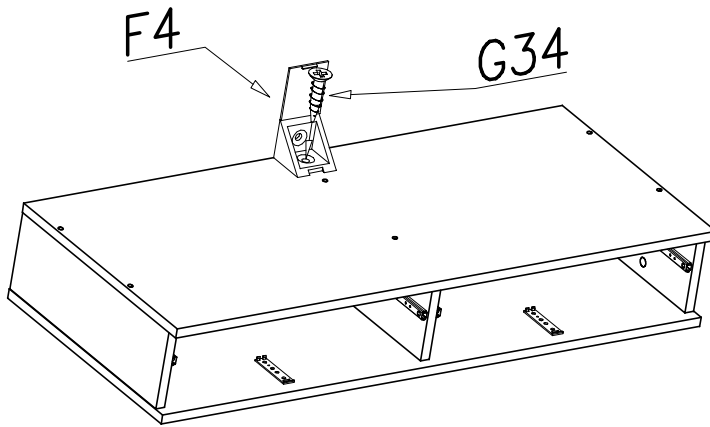
XI



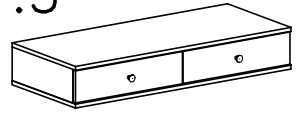
A=B



XII



ver.3



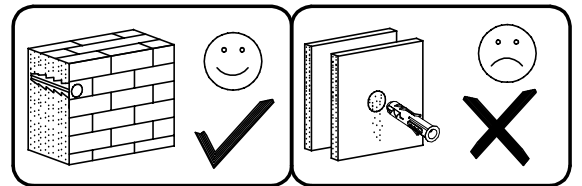
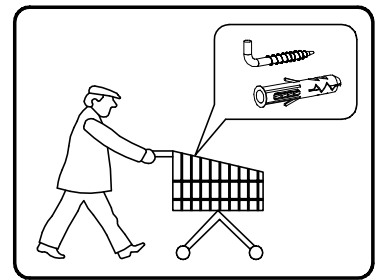
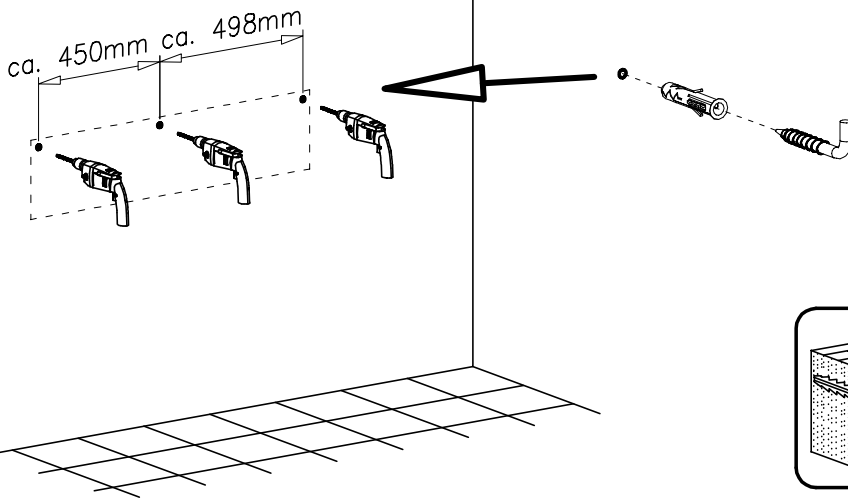
ver.4



PUSH

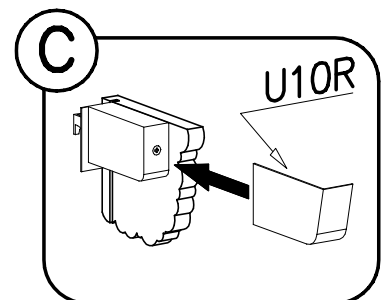
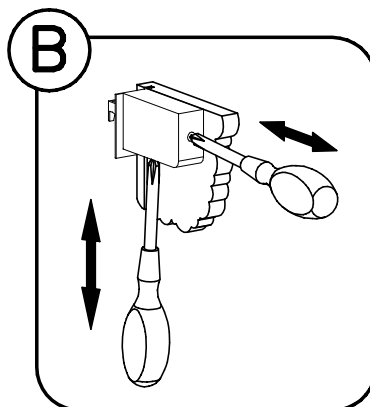
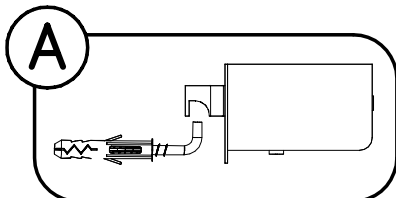
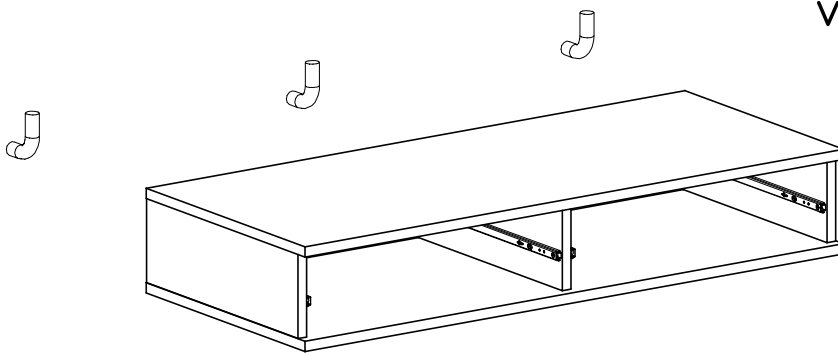
XIII

ver.3,4

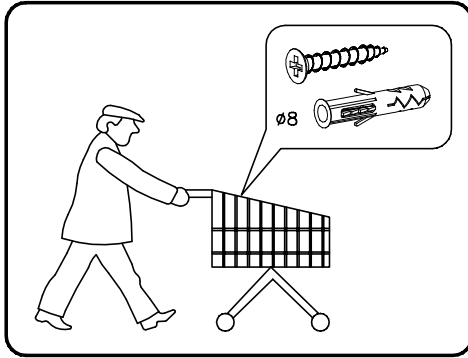
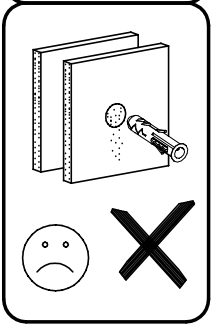
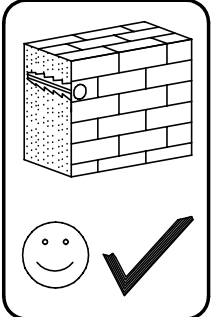


XIV

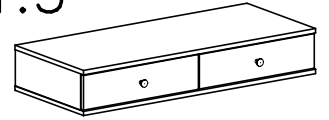
ver.3,4



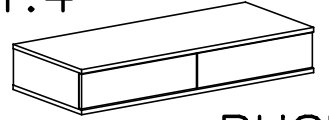
XV



ver.3

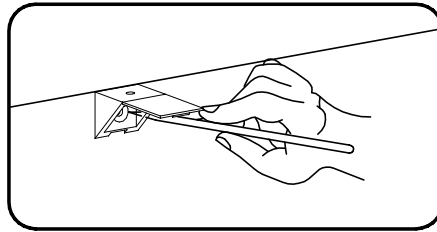


ver.4

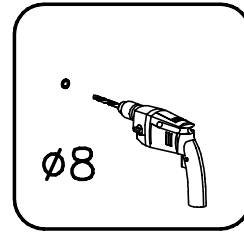


PUSH

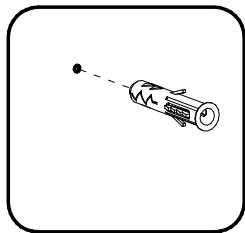
1



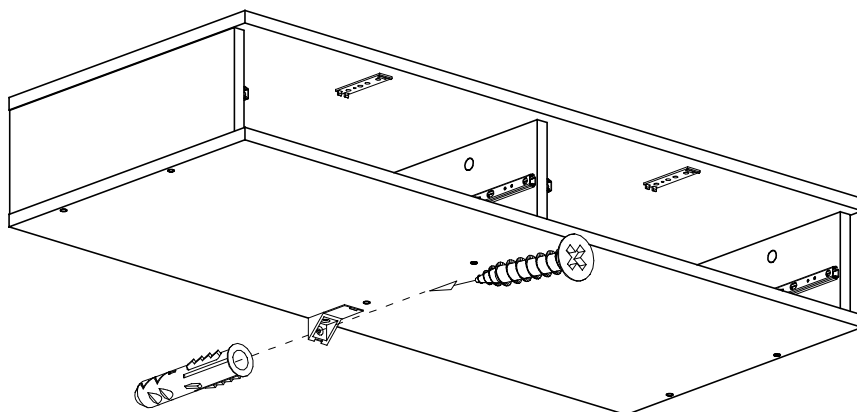
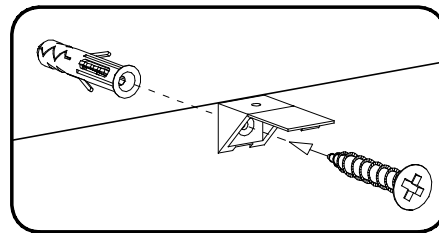
2



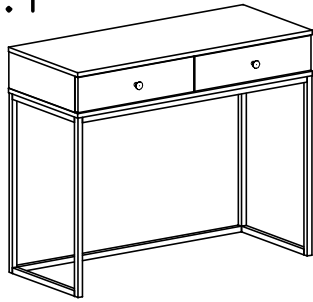
3



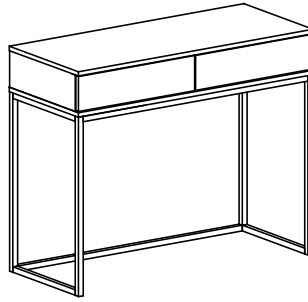
4



ver.1

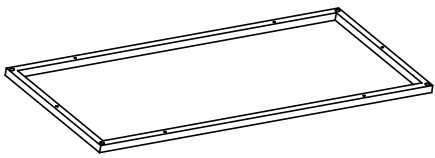


ver.2



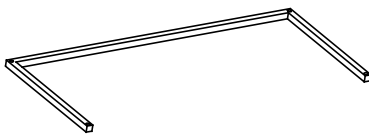
PUSH

A



x1

B



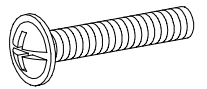
x1

C



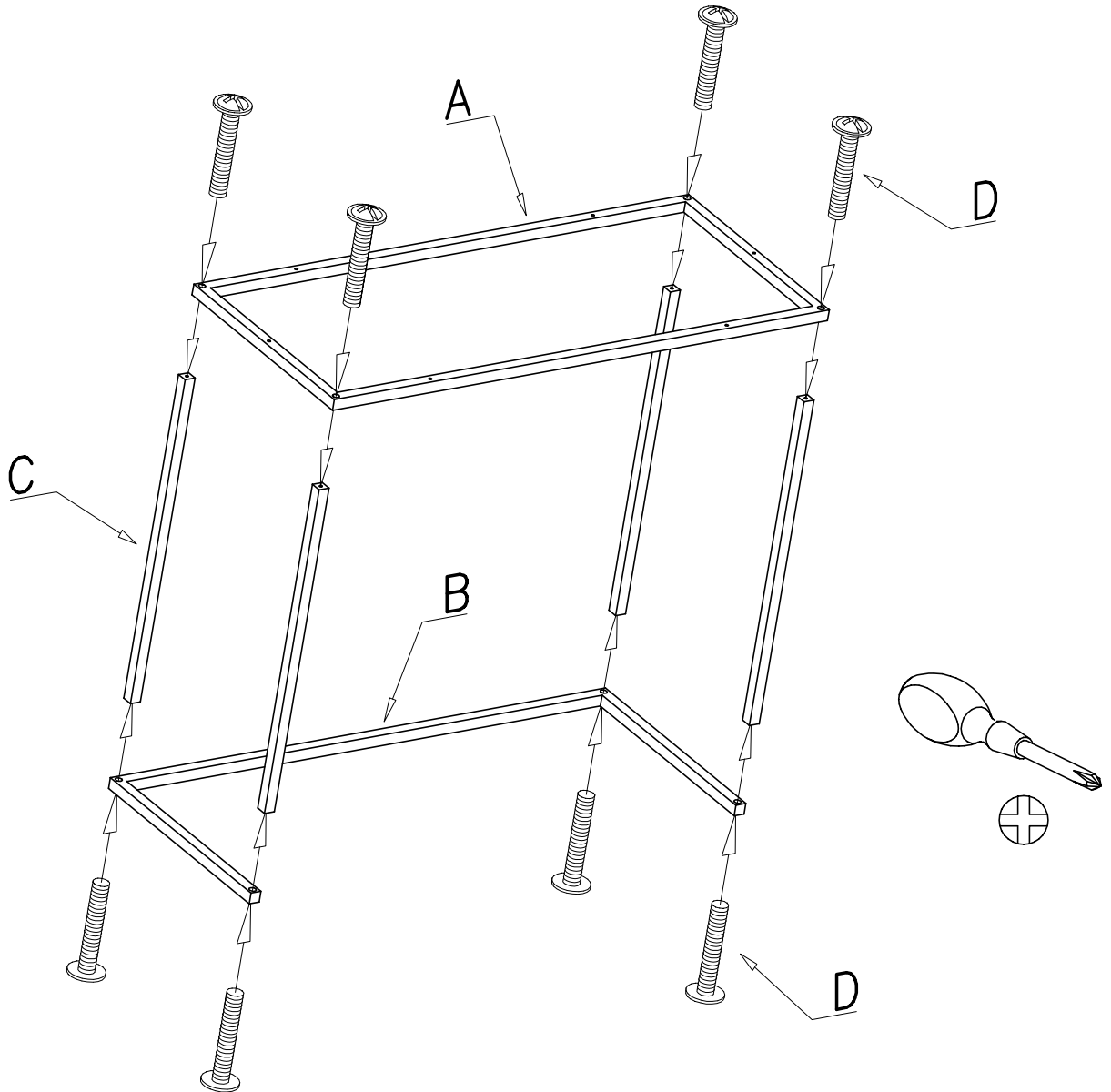
x4

D

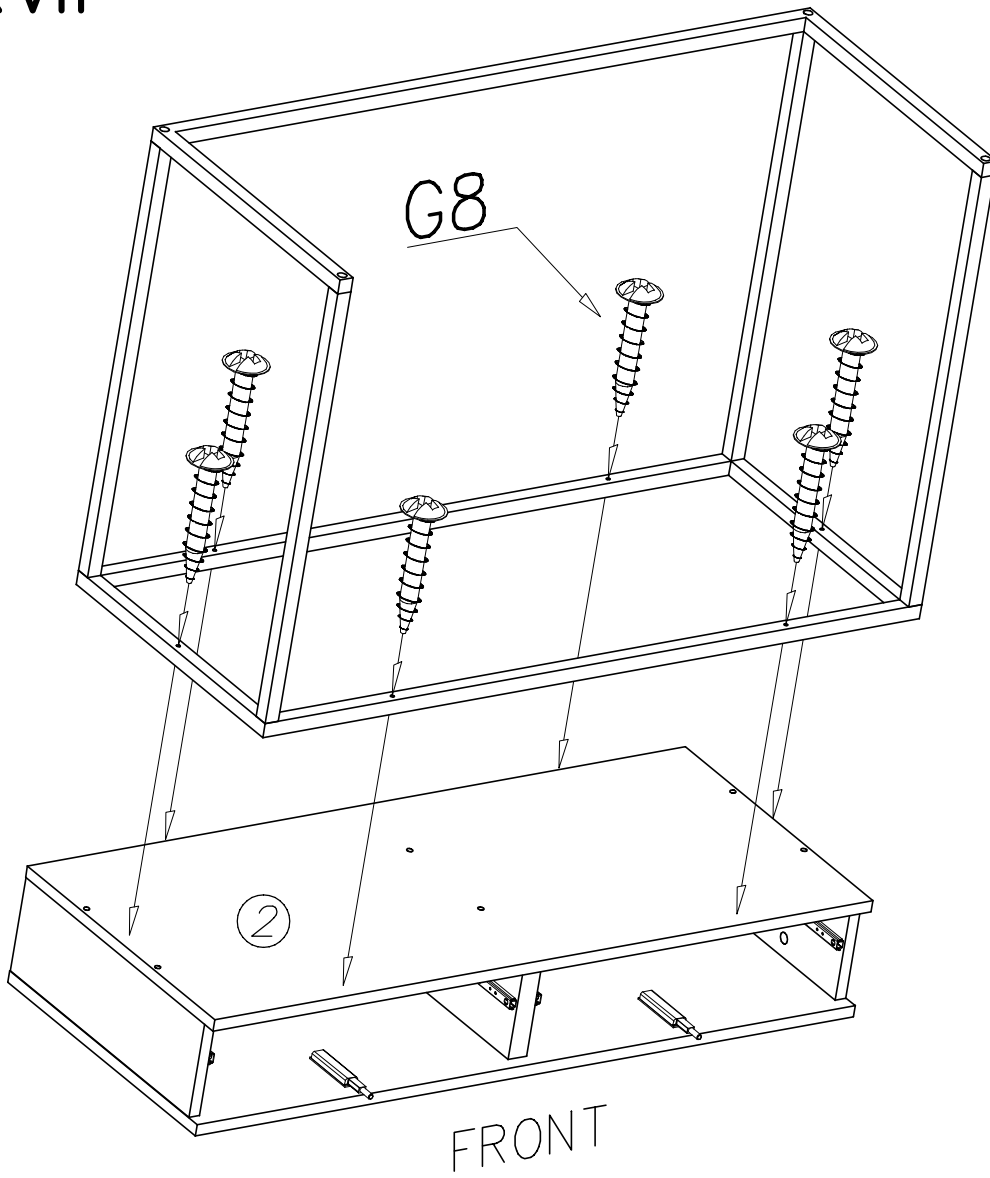


x8

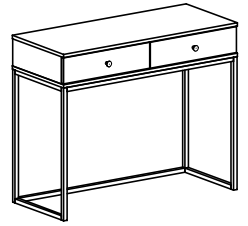
XVI



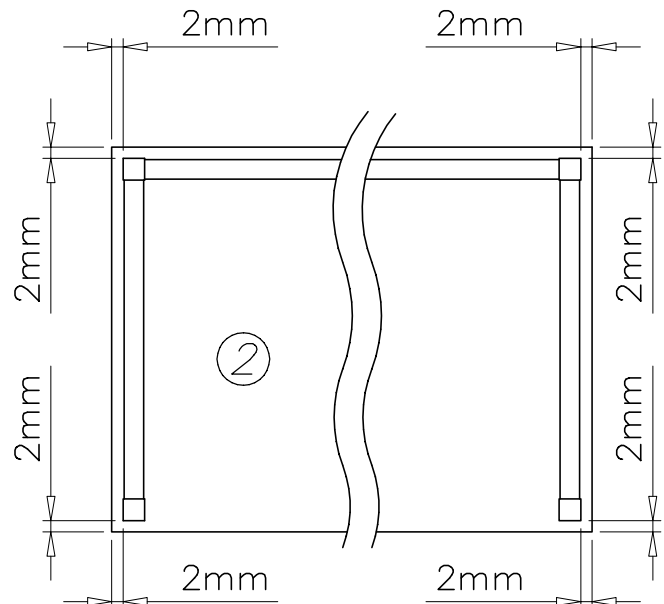
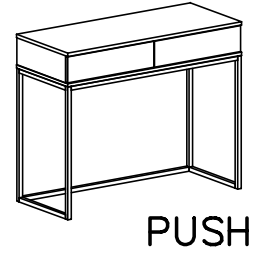
XVII



ver.1

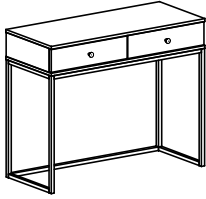


ver.2

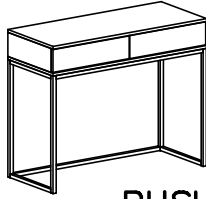


XVIII

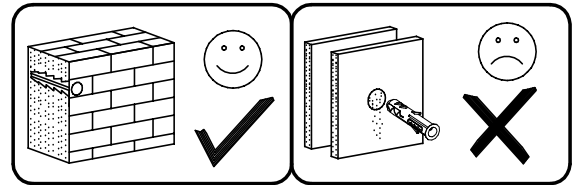
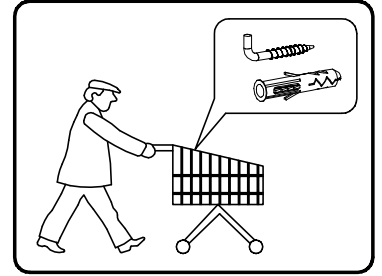
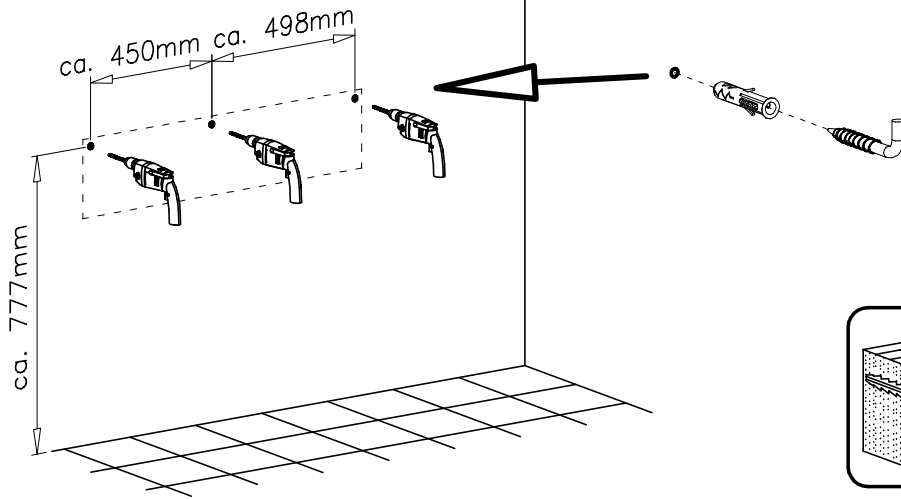
ver.1



ver.2

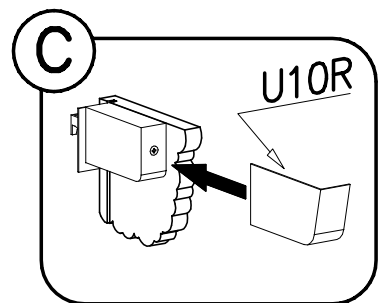
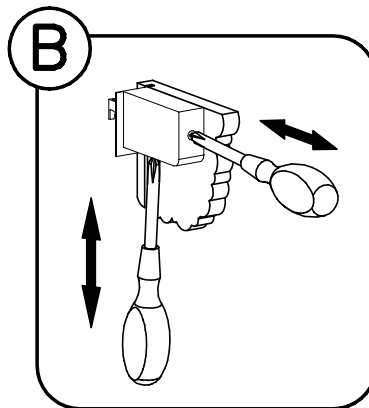
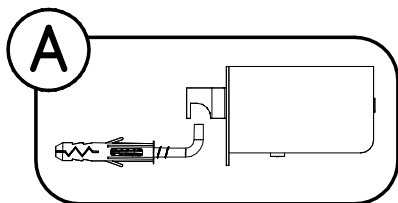
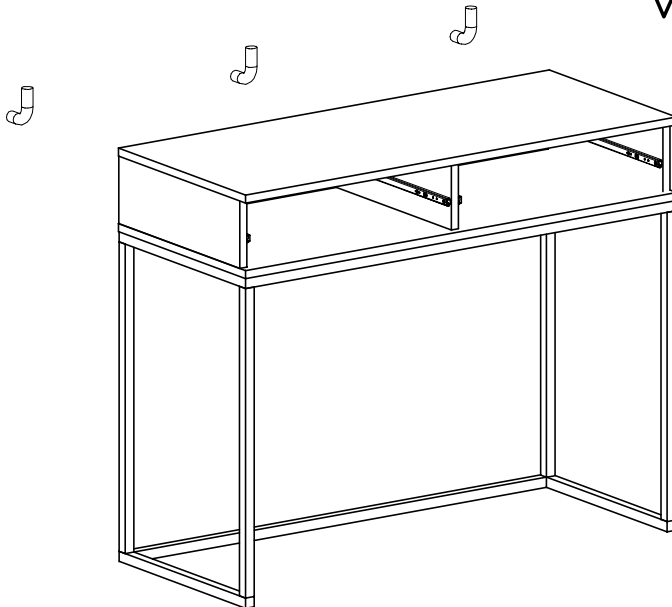


PUSH



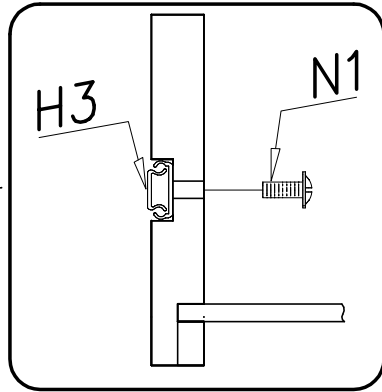
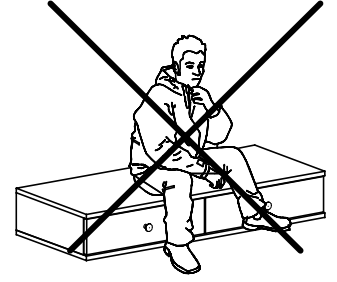
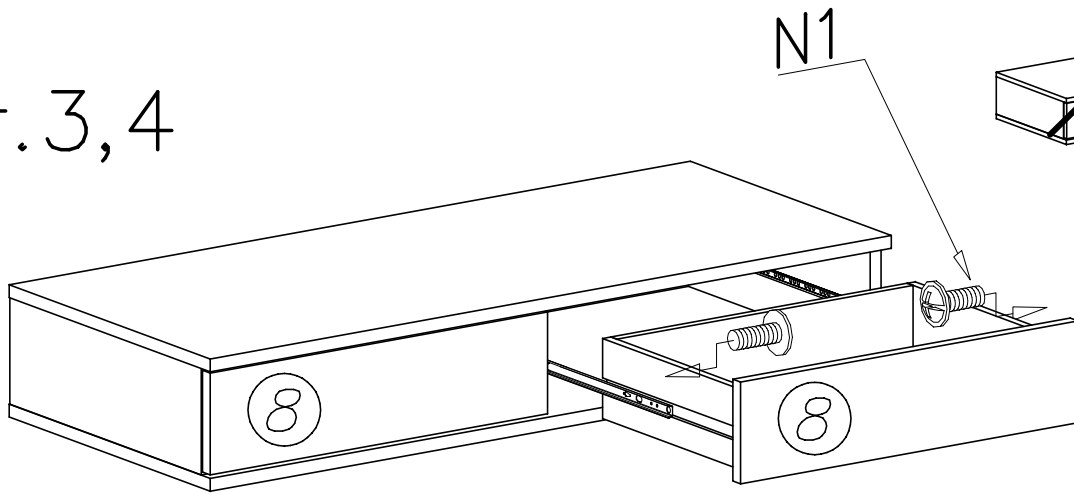
XIX

ver.1,2

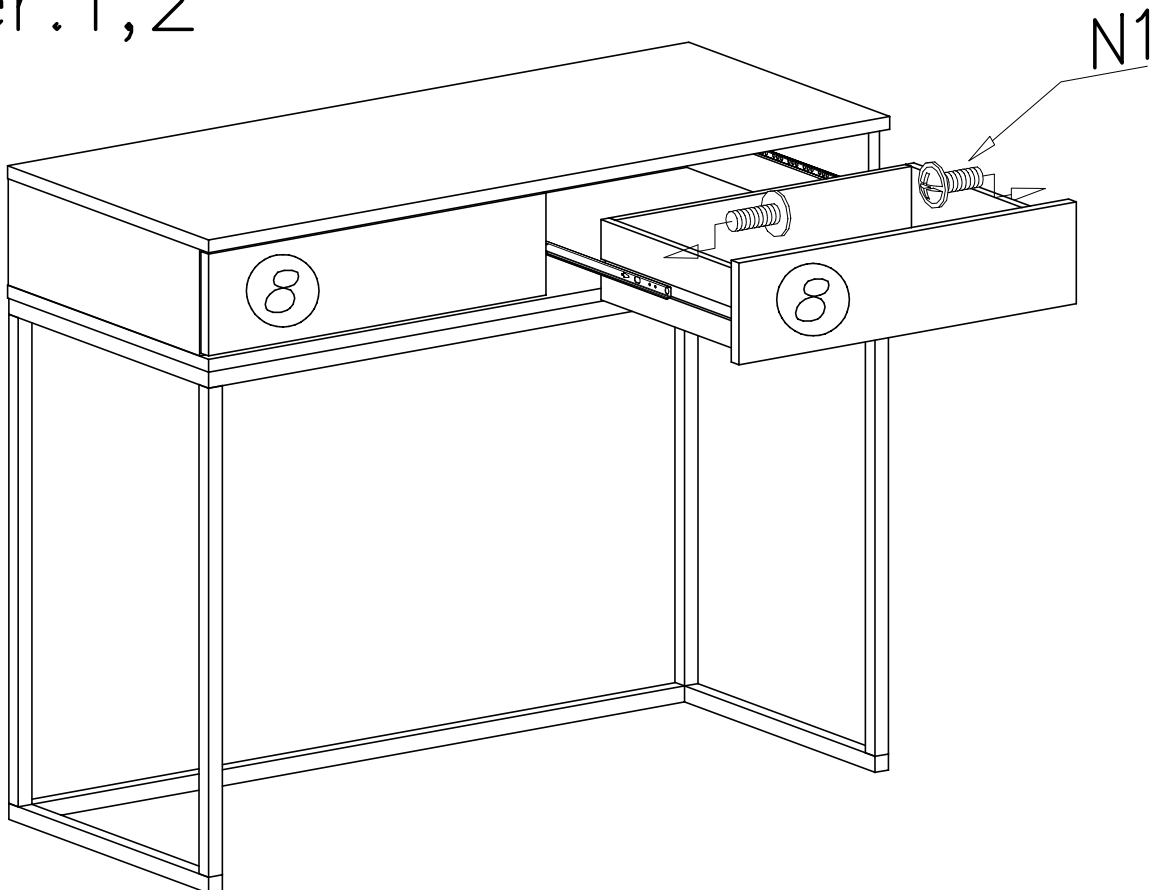


XX

ver. 3,4



ver. 1,2





Uwaga • Upozornění • Achtung • Attention • Caution • Figyelem
 Attenzione • Opgelet • Внимание • Atenție • Upozornenie • Dikkat

