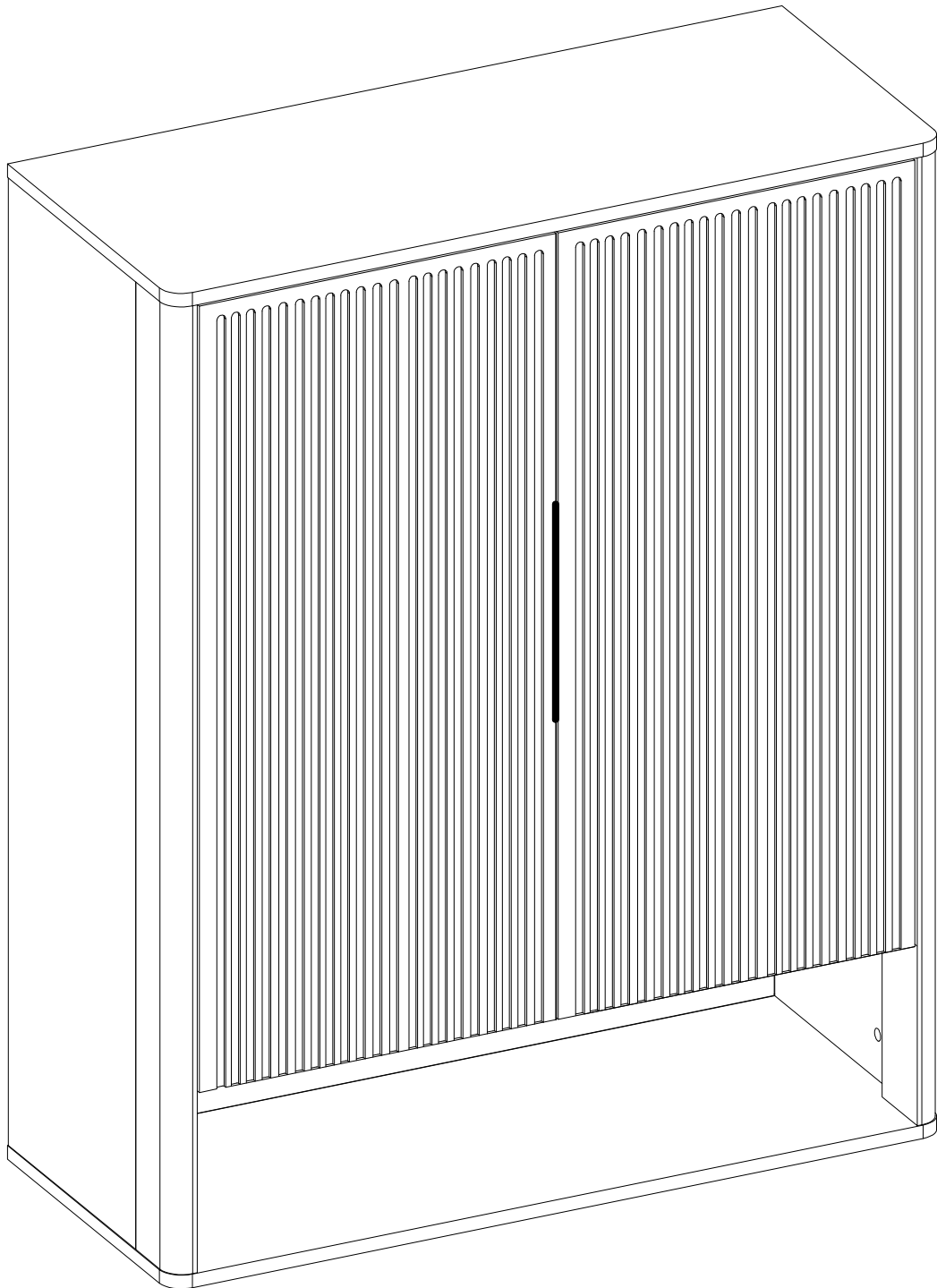
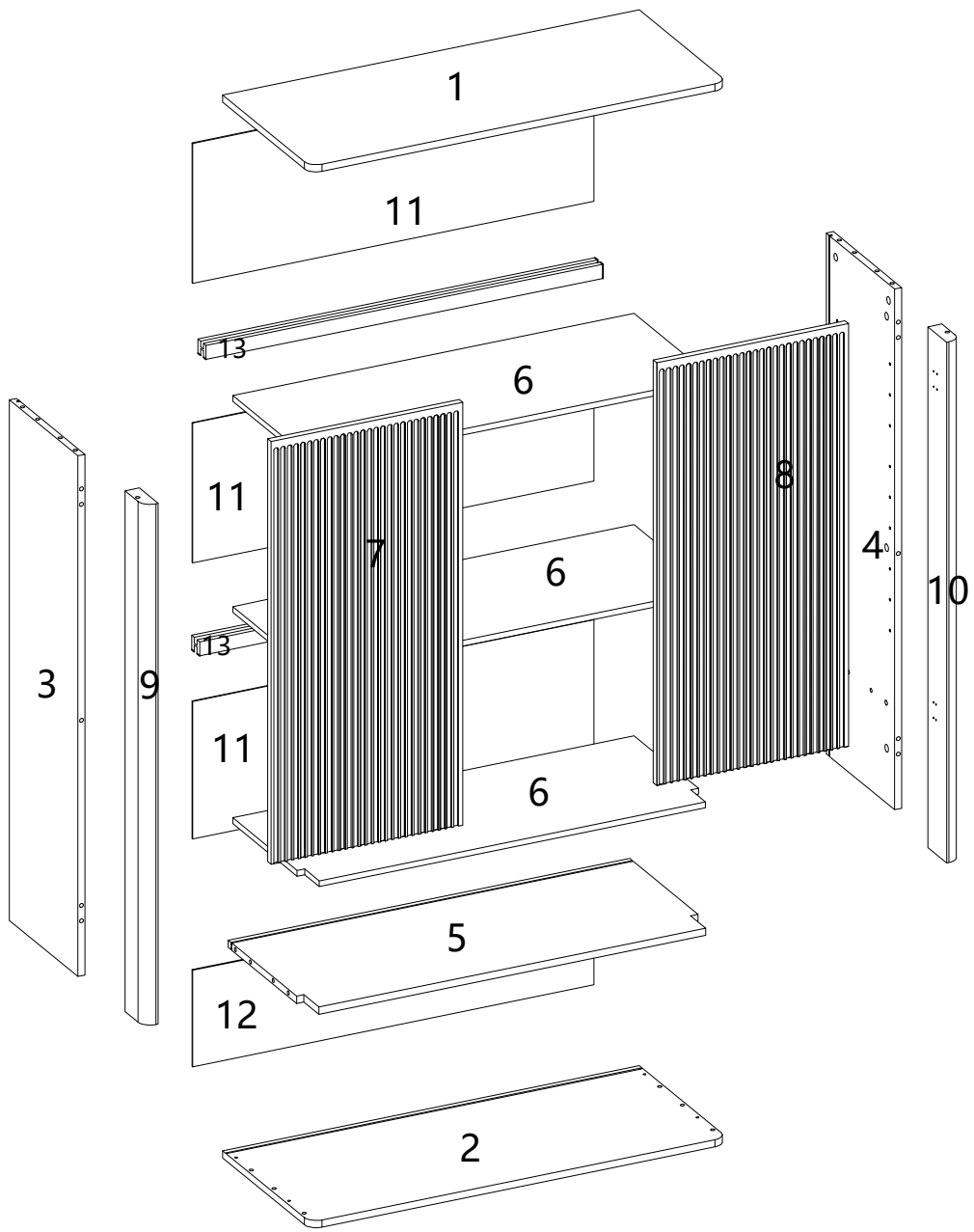
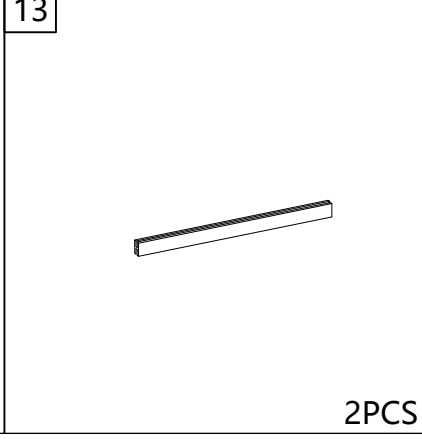
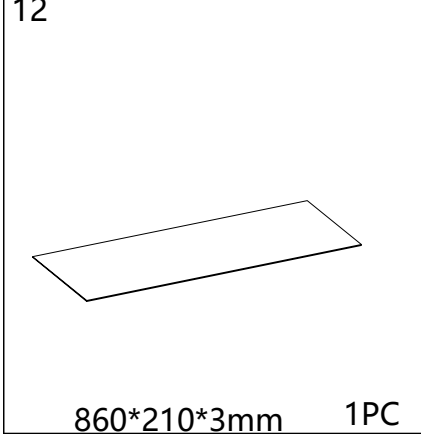
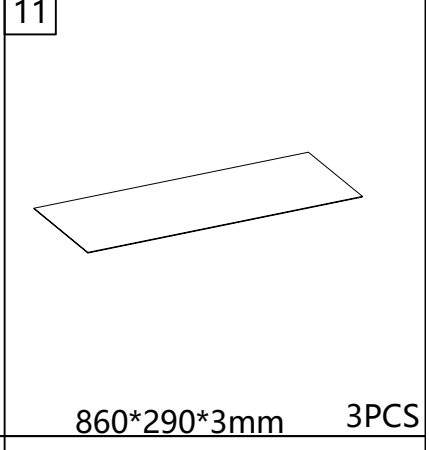
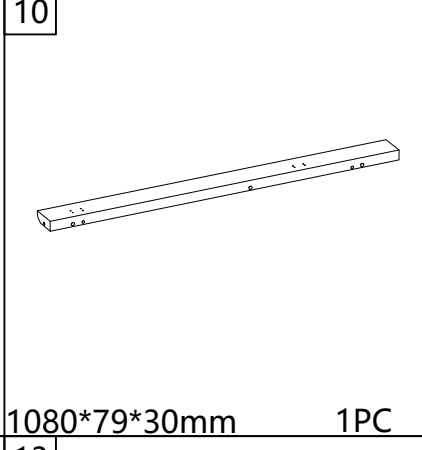
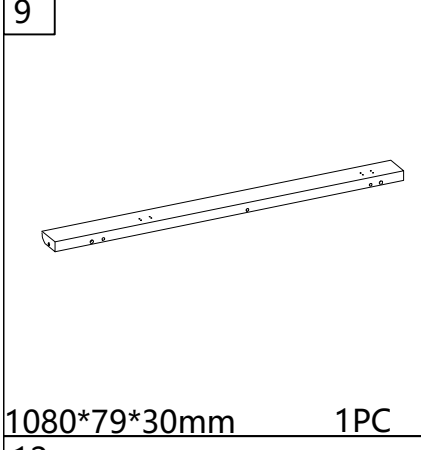
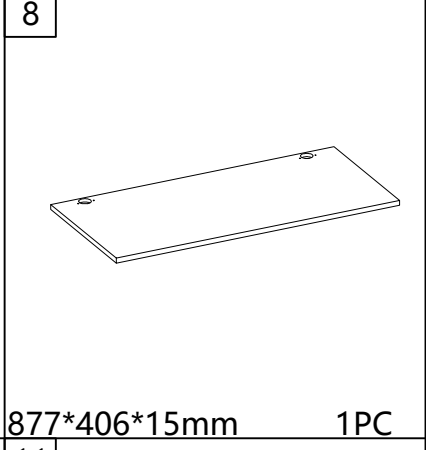
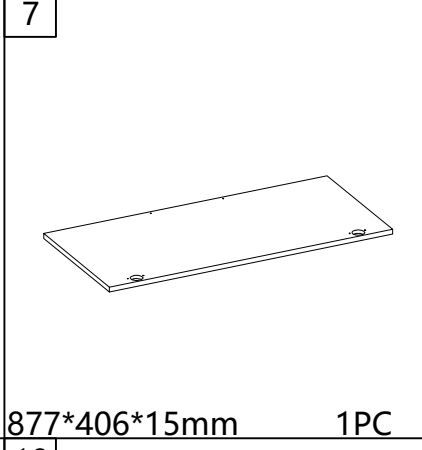
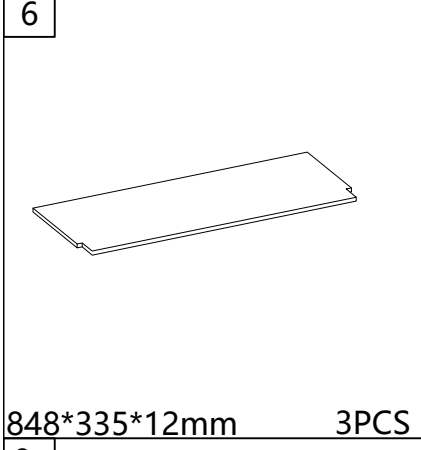
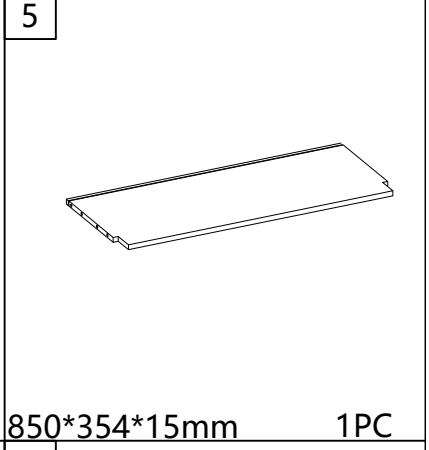
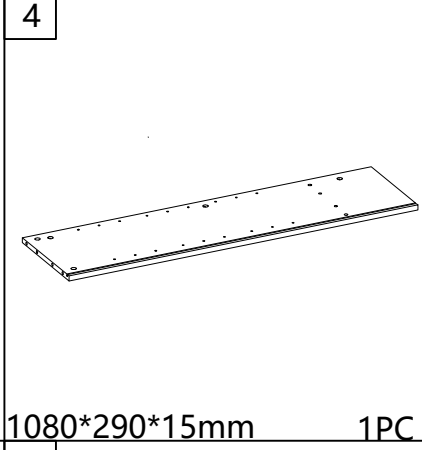
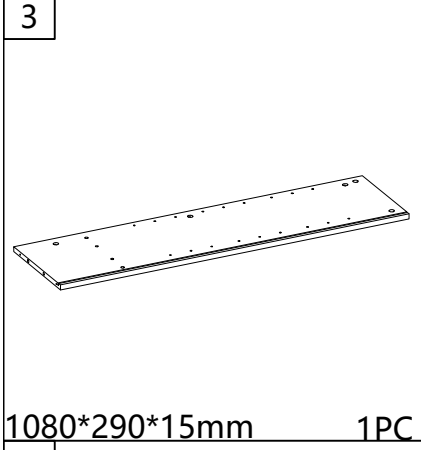
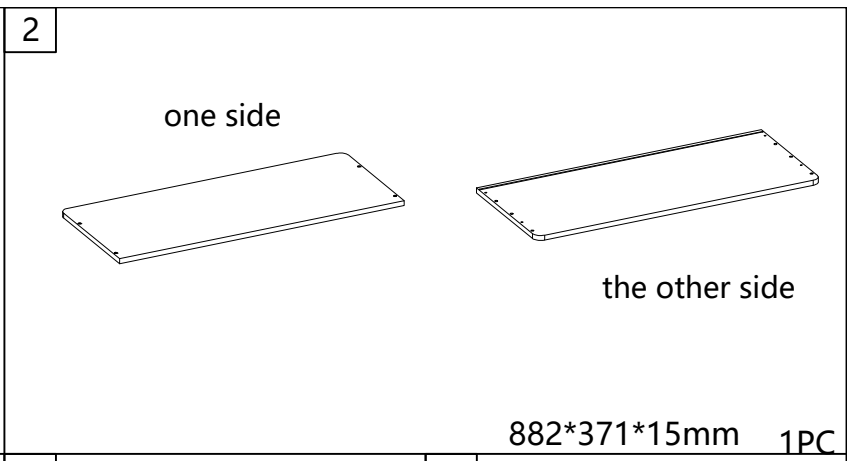
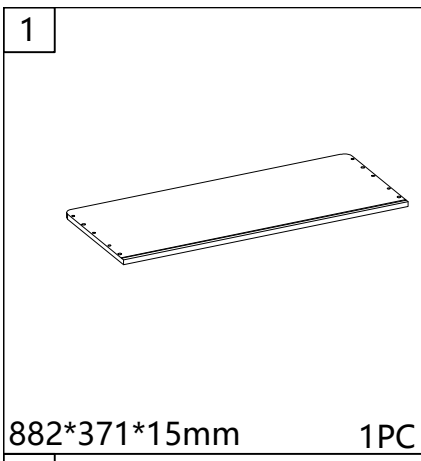


# Installation & Assembly

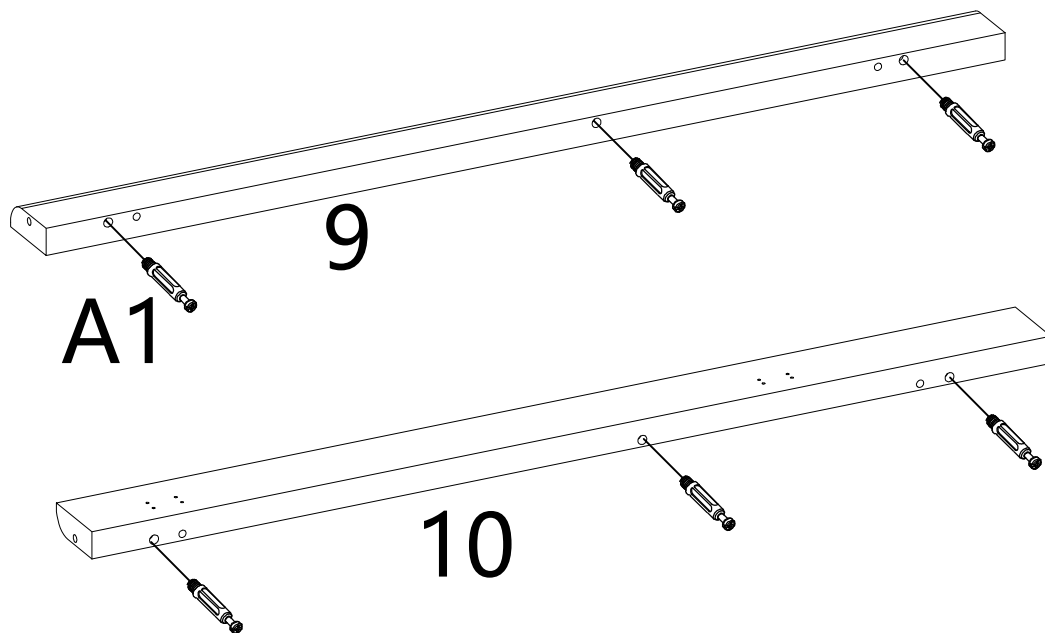
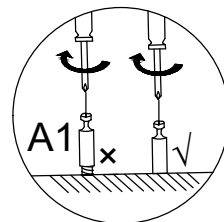
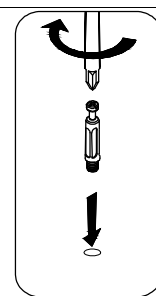





<b>A</b>  14PCS	<b>B</b>  #8*30mm 20PCS	<b>C</b>  M5*40mm 4PCS	<b>D</b>  M3.5*12mm 38PCS	<b>E</b>  4PCS	<b>F</b>  1PC	<b>G</b>  12PCS	<b>H</b>  14PCS	<b>I</b>  2PCS
<b>J</b>  14PCS	<b>K</b>  4PCS							

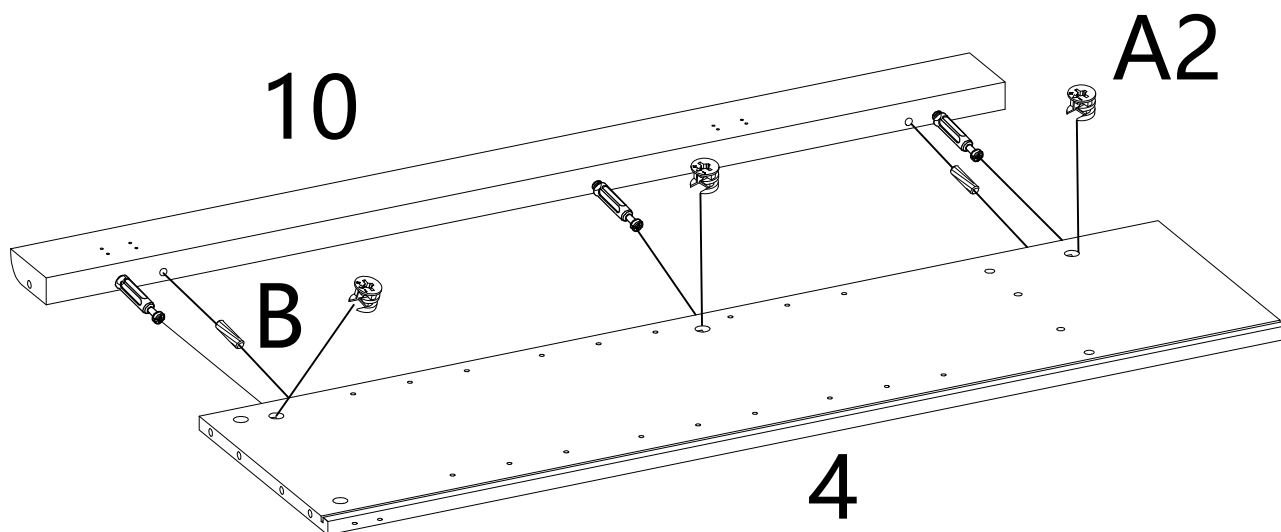
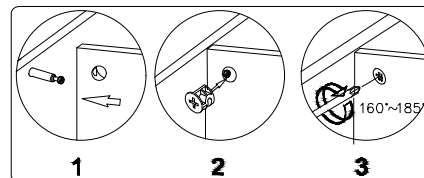



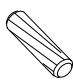
# STEP 1



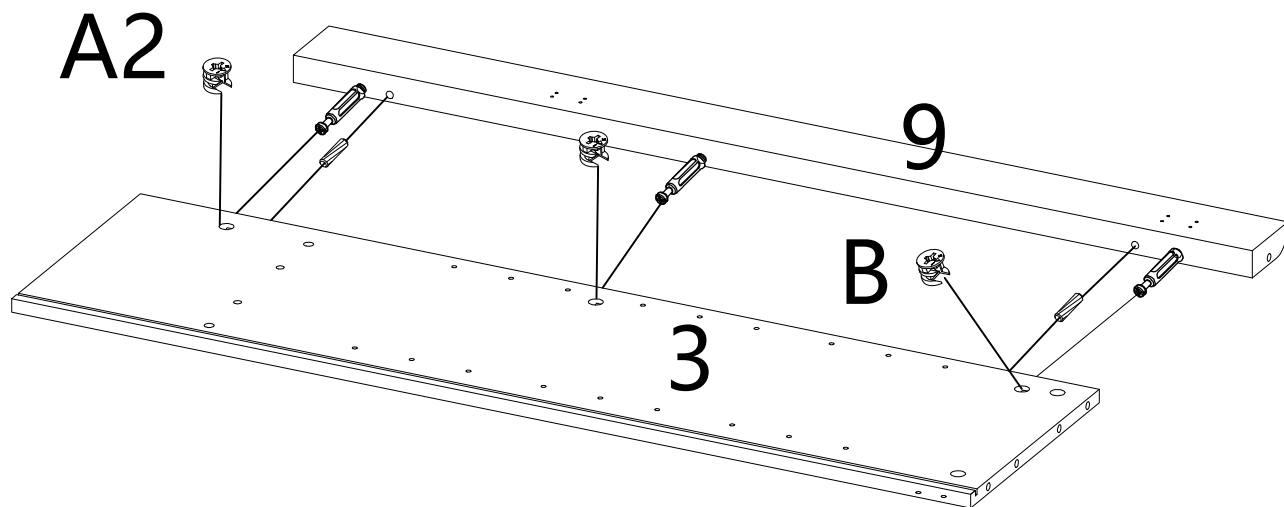
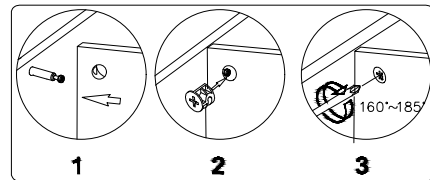
	A1 × 6PCS
---	-----------

# STEP 2



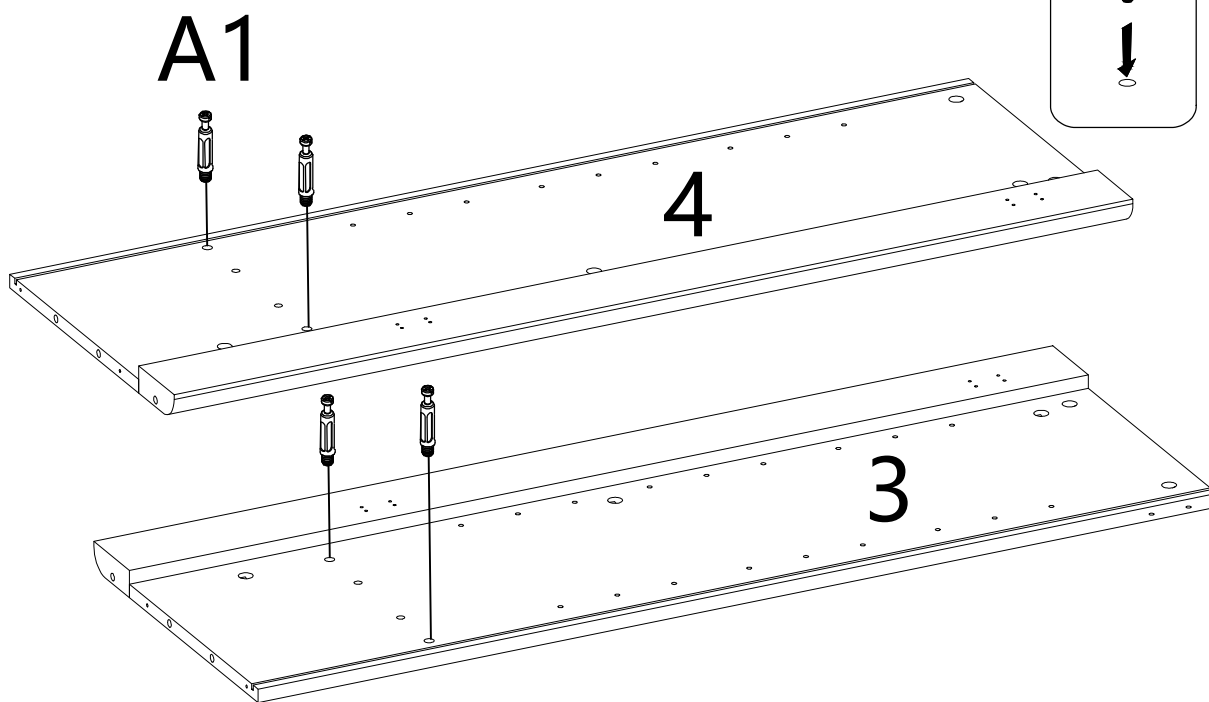
	A2 × 3PCS		B × 2PCS
---	-----------	---	----------

# STEP 3



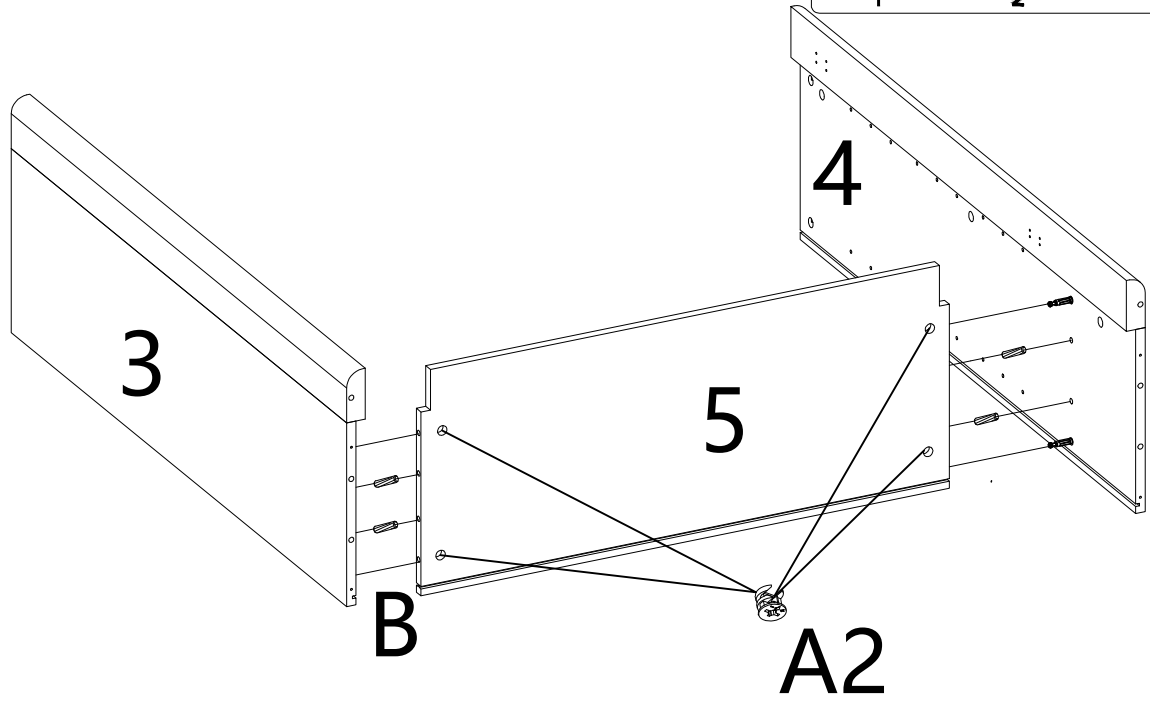
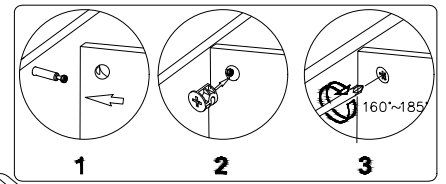
	A2 × 3PCS		B × 2PCS
--	-----------	--	----------


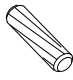
# STEP 4



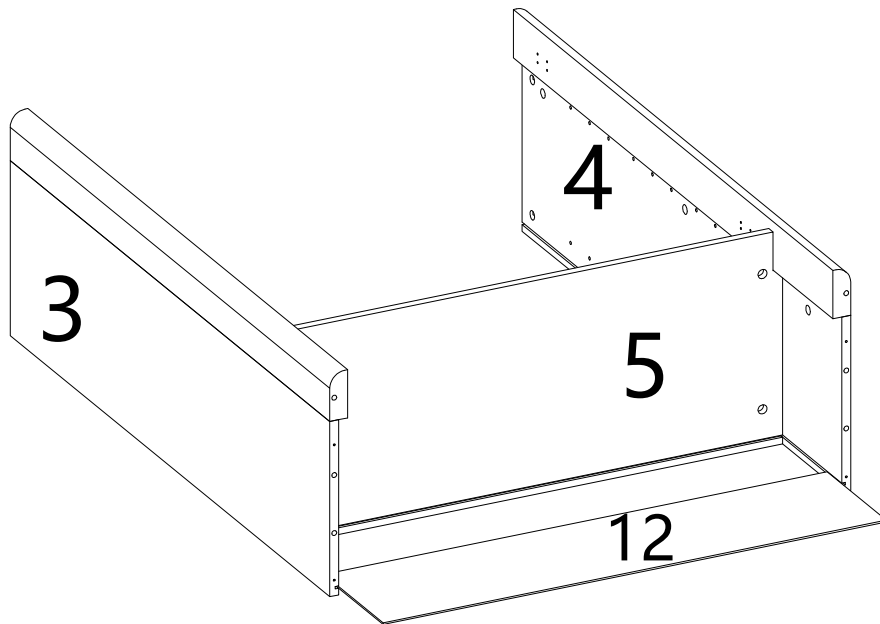
	A1 × 4PCS
--	-----------

# STEP 5

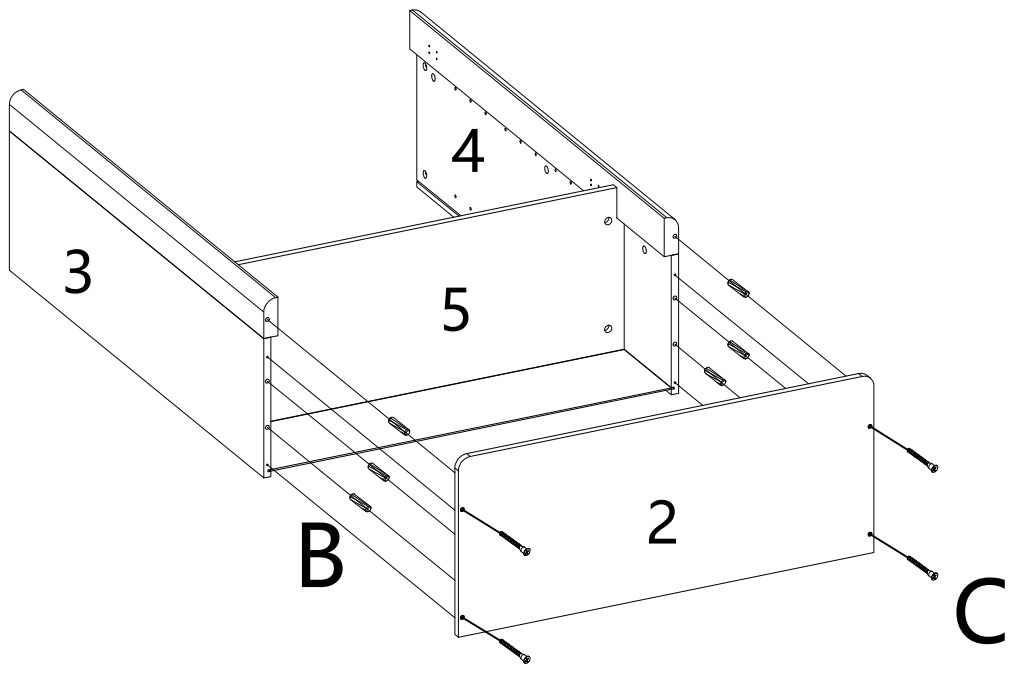


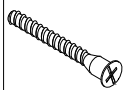
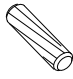
	A2 × 4PCS		B × 4PCS
---	-----------	---	----------

# STEP 6

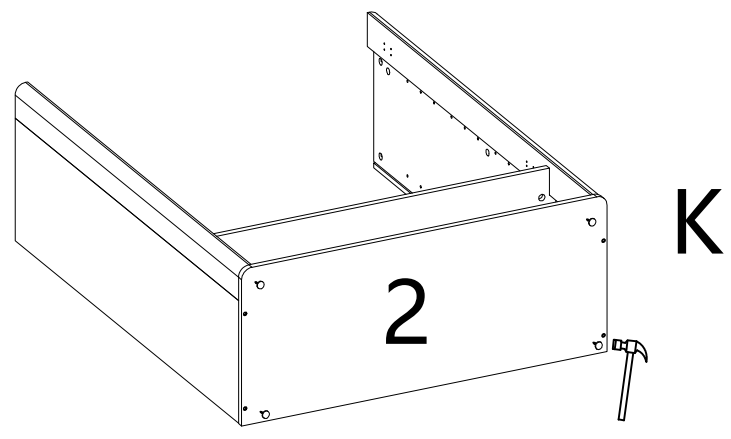



# STEP 7



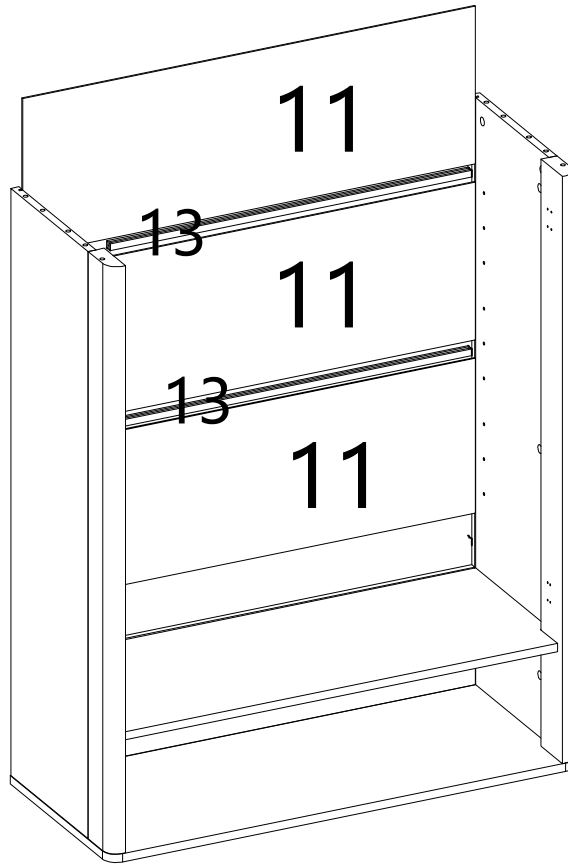
	C × 4PCS		B × 6PCS
---	----------	---	----------

# STEP 8

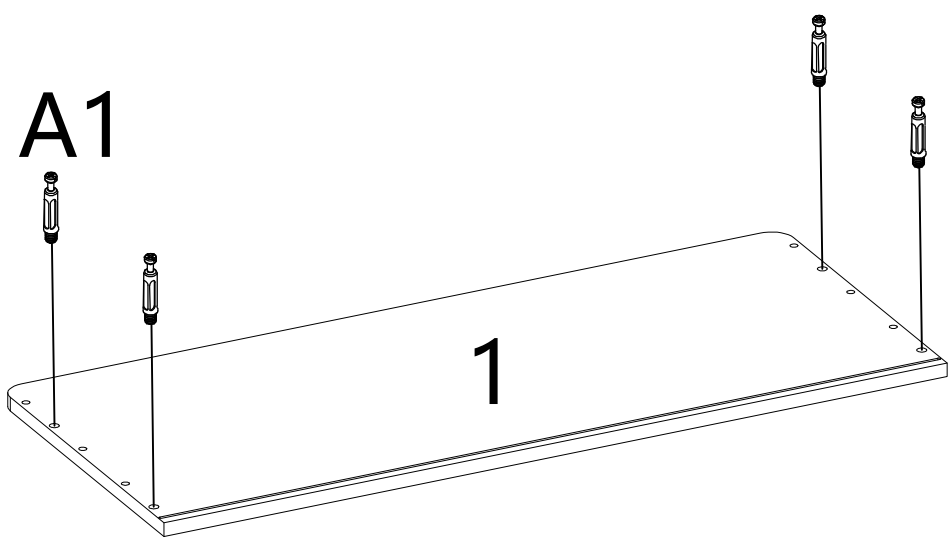
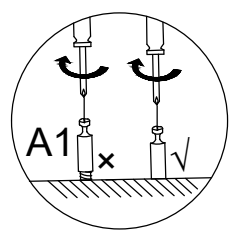
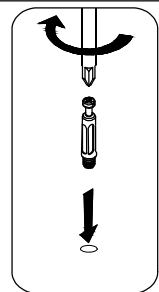



	K × 4PCS
---	----------

# STEP 9

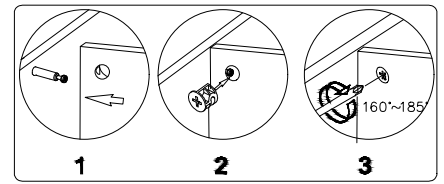
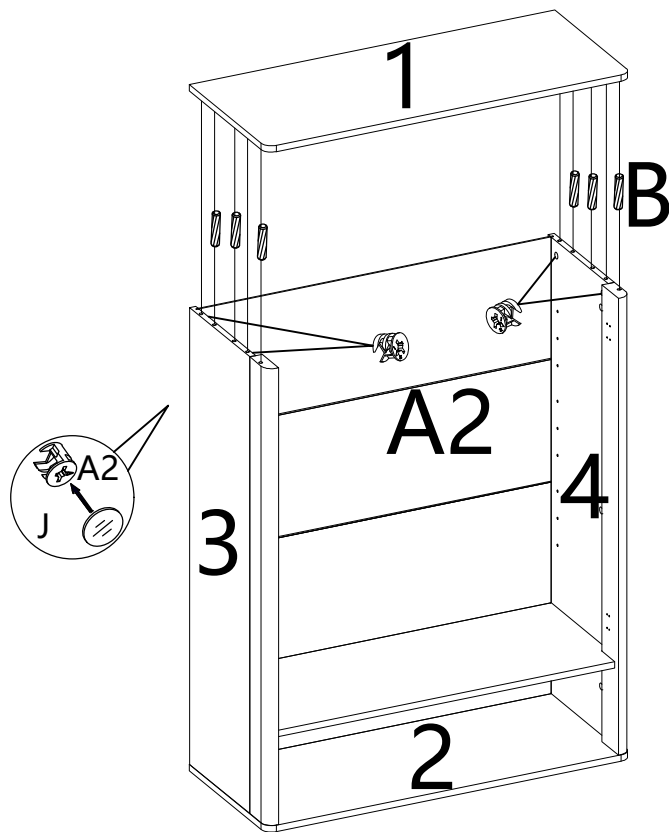




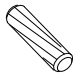
# STEP 10



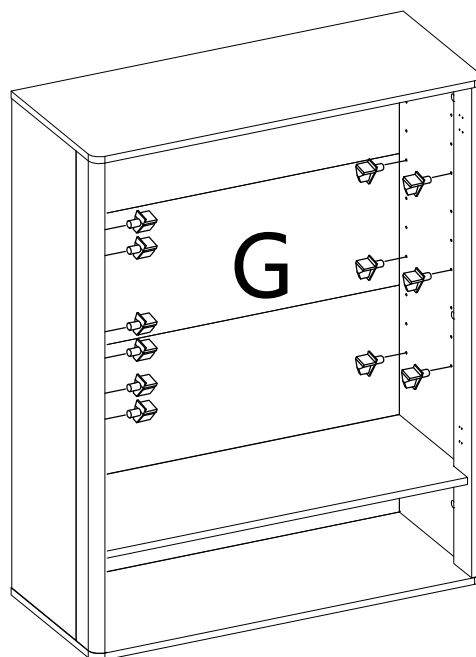
	A1 × 4PCS
---	-----------

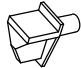
# STEP 11



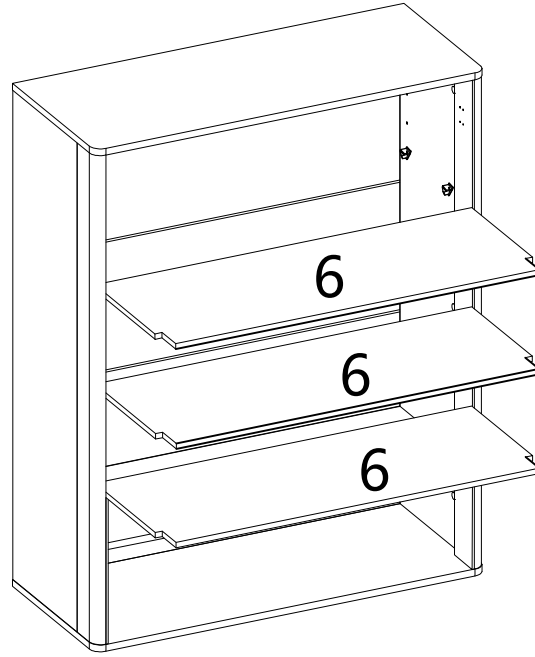
	J × 14PCS		A2 × 4PCS		B × 6PCS
---	-----------	---	-----------	---	----------

# STEP 12

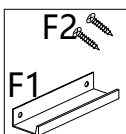
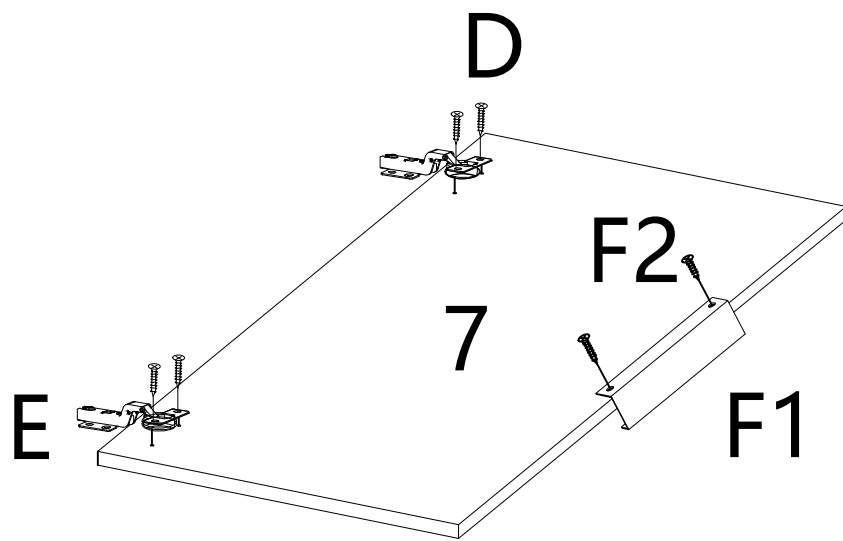


	G × 12PCS
---	-----------

# STEP 13



# STEP 14



F × 1PC

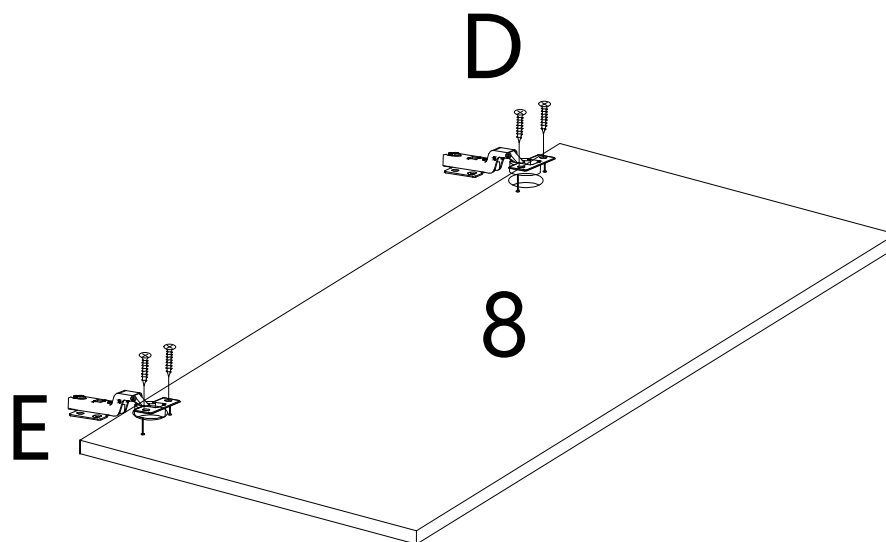


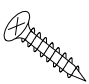

D × 4PCS



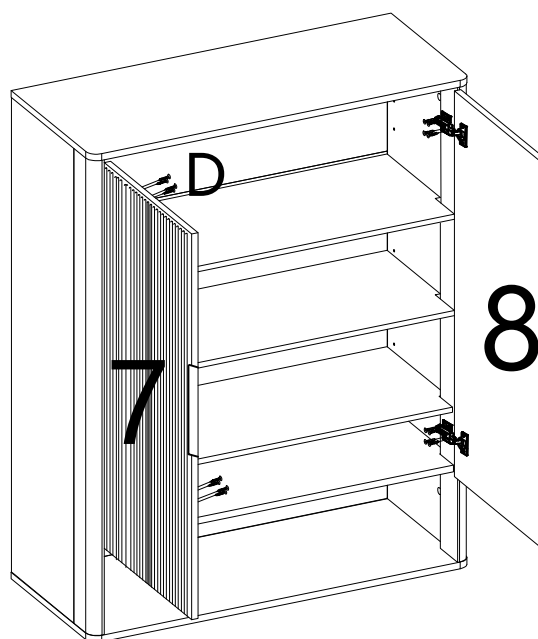
E × 2PCS

# STEP 15



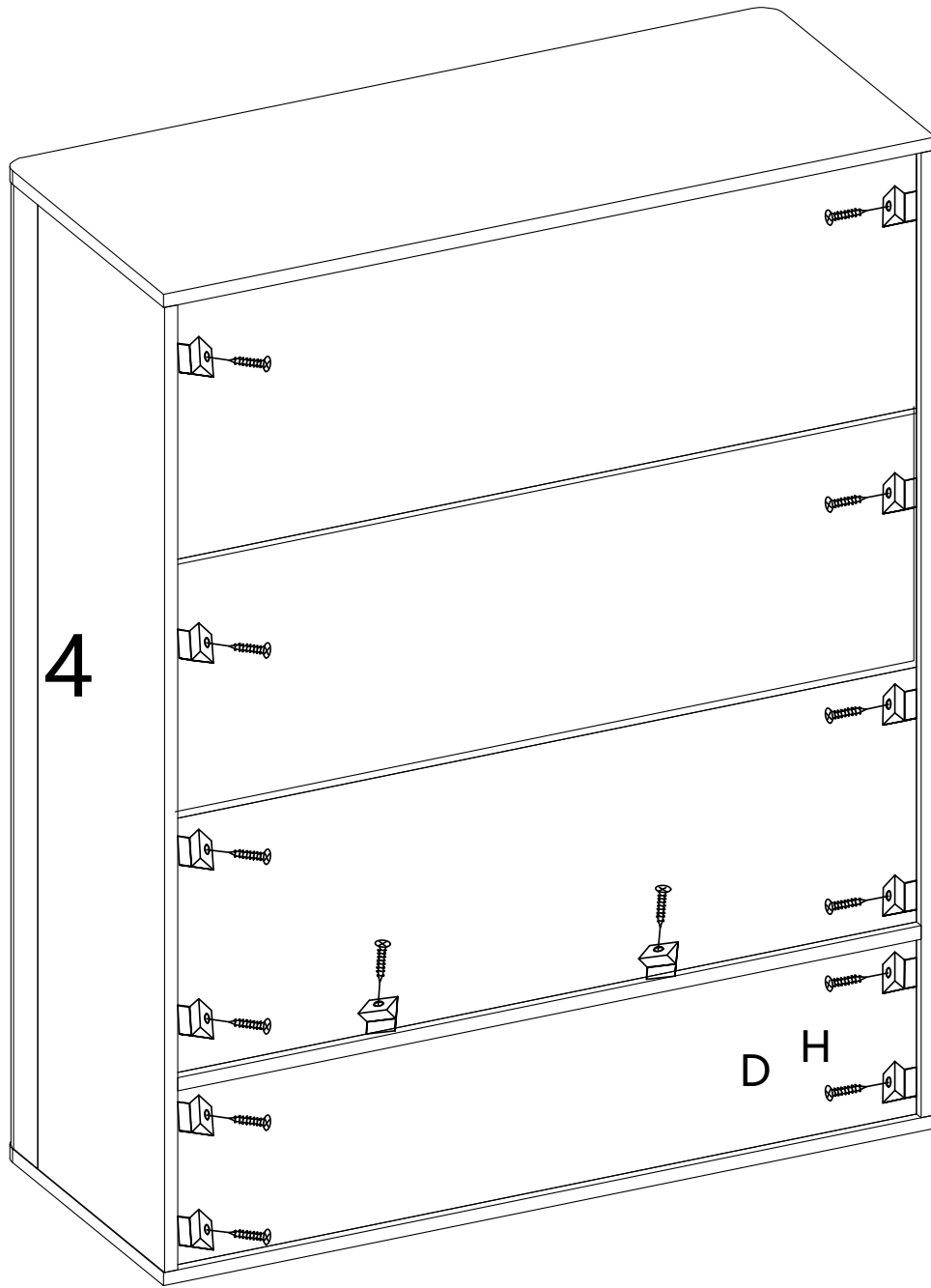
	D × 4PCS		E × 2PCS
---	----------	---	----------


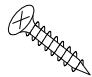
# STEP 16



	D × 16PCS
---	-----------

# STEP 17



	H × 14PCS		D × 14PCS
---	-----------	---	-----------

