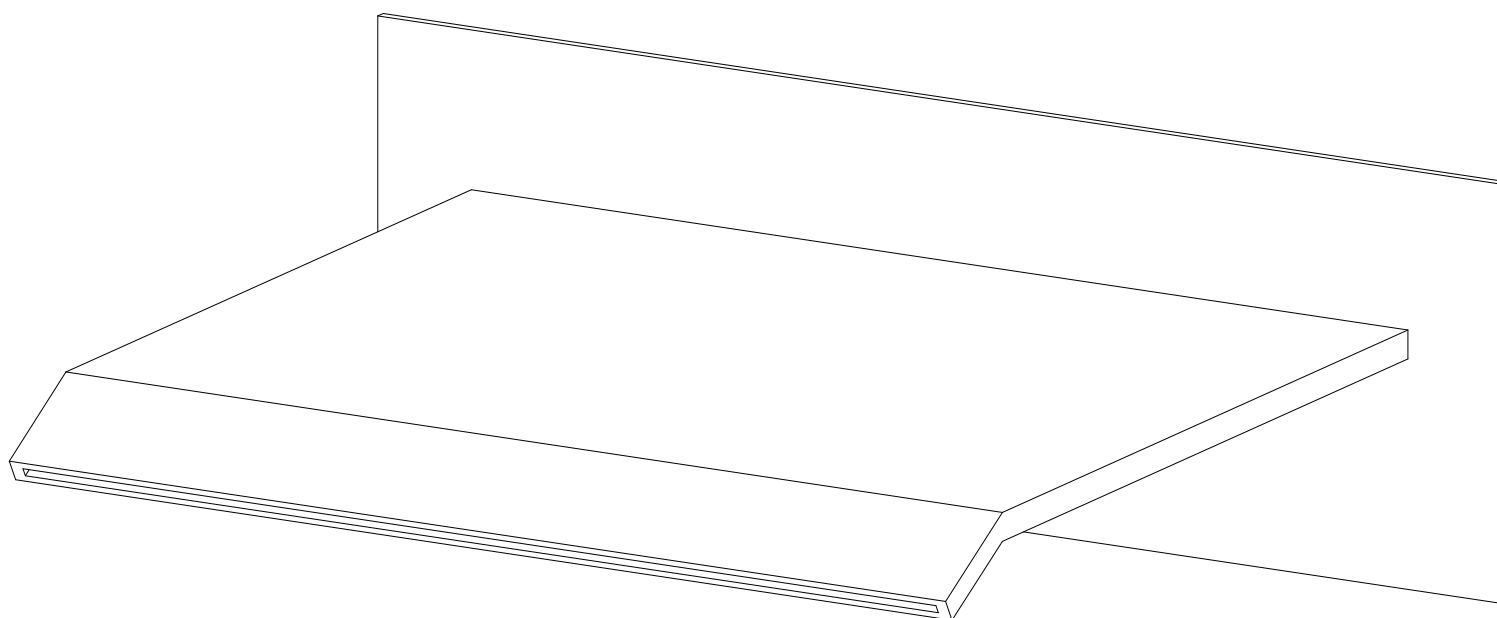
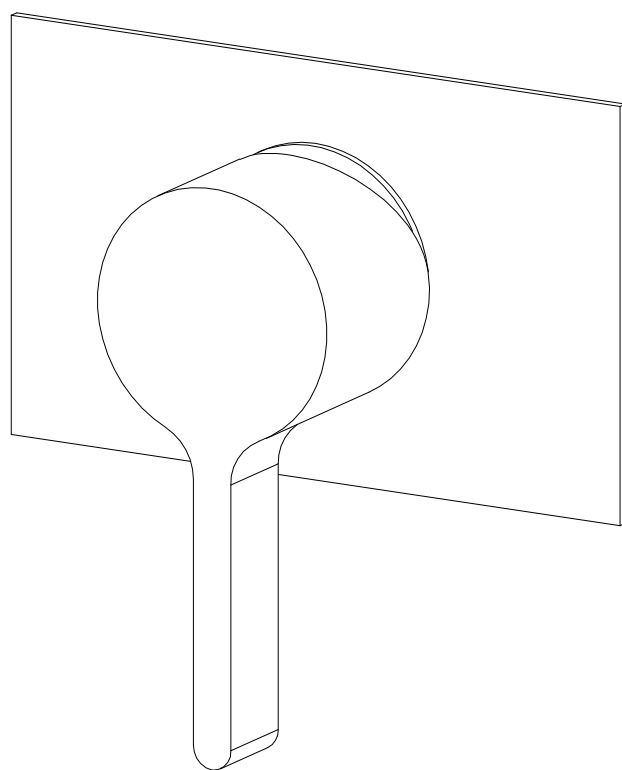


INSTALLATION GUIDE



WALL MOUNTED TUB FAUCET

MODEL	FINISH
S2140CW	Chrome
S2140BW	Brushed Nickel
S2140DW	Matte Black
S2140BGW	Brushed Gold

HOT LINE: +1-866-203-0866

THANK YOU

Dear Valued Customer,

Thank you for choosing SUMERAIN products. We would like to take this opportunity to express our sincere gratitude for your recent purchase. We hope you are completely satisfied with your new product. Rest assured, we meticulously engineer all SUMERAIN products and put them through rigorous factory tests to ensure their prolonged, trouble-free use under normal conditions.

Installing this product is as simple as it gets. All you need are some basic tools and our handy step-by-step illustrated guide. We wholeheartedly welcome any questions or feedback you may have. We eagerly anticipate the opportunity to assist you in the future. If you have any inquiries regarding this product, please do not hesitate to contact us at +1-866-203-0866 or email us at supports@sumerain.com.

Once again, we extend our gratitude for selecting SUMERAIN products. We remain committed to providing exceptional customer service.

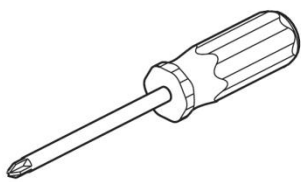
Sincerely,

SUMERAIN Customer Service Department

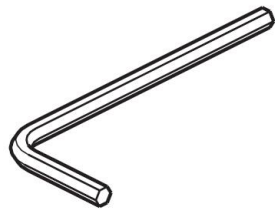
BEFORE PROCEEDING

1. Unpack your new product and verify that all components are present in the package. Until you're ready to install, it's best to keep the product in its original box.
2. Identify the water supply inlets and turn off the water supply valves. You'll typically find these valves near the water meter. If you're replacing an existing unit, make sure to remove the old one and clean the mounting surface thoroughly.
3. Adhere to all plumbing and building codes applicable in your area.
4. If you're not confident about installing the product yourself, we strongly recommend seeking help from a professional.

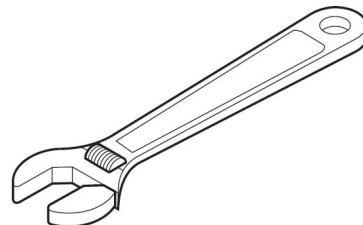
TOOLS RECOMMENDED



Philips screwdriver



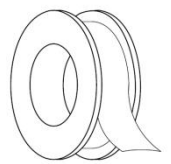
Allen wrench



Adjustable wrench



Channel locks



Teflon tape

LIMITED LIFETIME CONSUMER WARRANTY

VERSION: 20160320.18.1

This product has been manufactured and tested to the highest quality standards by HONGKONG SUMERAIN SANITARY INDUSTRY Co., Limited ("SUMERAIN"). This warranty applies solely to SUMERAIN products purchased by consumers in the United States after January 1st, 2020. In the event of a faucet experiencing leaks or drips during regular usage, SUMERAIN will provide the necessary faucet cartridge to the purchaser, free of charge, in order to restore the faucet to proper working condition. If any defects are identified during normal residential use, SUMERAIN will, at its discretion, perform repairs, provide replacement parts or products, or make appropriate adjustments to ensure the product's optimal functionality.

WHO IS COVERED BY THE WARRANTY

This warranty provides exclusive coverage to the original consumer purchaser, including those who have made purchases through online retail platforms. However, online retail customers who are specifically covered by the "Online CONSUMER Limited Lifetime WARRANTY & Return policy" are also included. Please note that this warranty is non-transferable and cannot be assigned to any other party.

WHAT IS COVERED BY THE WARRANTY

This warranty is applicable only to the SUMERAIN manufactured product that you have purchased. SUMERAIN provides the following warranty against defects in material or workmanship: under normal installation, use, service, and maintenance, if the product or any of its components prove to be defective due to improper workmanship or materials, SUMERAIN will, at its discretion, provide free replacement parts or replace the entire product.

FINISH WARRANTY

Customers are responsible for thoroughly inspecting the product for any material or finish defects within three days of receiving it. Please note that SUMERAIN does not cover surface finish defects under warranty once the fixture has been installed.

ELECTRONIC FAUCETS WARRANTY

SUMERAIN guarantees its LED components, including electronic faucets, valves, controllers, and battery-powered devices, against material and manufacturing defects for one year from the date of purchase, under normal use. The water flow impeller power device (LED faucet power generation device) is guaranteed to be free from manufacturing defects for the first three months from the date of purchase.

LENGTH OF WARRANTY

As stated in the following, any replacement or repaired parts of the product will be covered for the duration of this warranty, which SUMERAIN provides for a period of 1 year from the original date of purchase.

CIRCUMSTANCES THAT SUMERAIN WILL NOT WARRANT AND PAY FOR:

- A. Conditions, malfunctions, or damage that do not result from defects in material or workmanship.
- B. Conditions, malfunctions, or damage resulting from normal wear and tear, improper installation, improper maintenance, misuse, abuse, negligence, accidents, alterations, or the use of abrasive or caustic cleaning agents, "no-rinse" cleaning products, or the product in a manner contrary to the provided instructions. This includes home conditions such as excessive water pressure or corrosion.
- C. Labor or other expenses associated with disconnection, deinstallation, or return of the product for warranty service, as well as installation or reinstallation of the product.
- D. Accessories, connected materials, and products (including but not limited to hand shower flexible hose, spray flexible hose, hand shower, shower head), or related products that are not manufactured by SUMERAIN.

TO OBTAIN WARRANTY PARTS OR INFORMATION

To obtain warranty parts or information professionally, please follow the steps below:

Contact your SUMERAIN retailer or dial the technical service phone number at +1-866-203-0866, or send an email to supports@sumerain.com.

When applying for warranty service, you will need to provide the following information:

- a. Sales receipt or other evidence of purchase date and platform.
- b. Detailed description of the problem.
- c. Ship the product or defective parts to the designated Sumerain warehouse in the United States with prepaid postage. Please ensure careful packaging and insurance of the items. Once the warranty service is completed, any repaired or replaced products or parts will be shipped back to you with prepaid postage.

If you have any further questions or need additional assistance, please contact the provided contact information.

EXCLUSIONS & LIMITATIONS

Pursuant to the terms of this warranty, repair, replacement (or, in limited circumstances, refund of the purchase price) shall be the sole remedy available to the purchaser. SUMERAIN assumes no obligations or liabilities and does not authorize any individual to create obligations or liabilities in relation to this product. SUMERAIN shall not be held liable to the purchaser or any party for any incidental, special, or consequential damages resulting from a breach of this warranty or any implied warranties (including merchantability). Please note that certain states do not allow the exclusion or limitation of incidental or consequential damages, therefore the aforementioned limitation or exclusion may not apply to you. This warranty grants you specific legal rights, and you may also have additional rights that vary from state to state. Before initiating any legal proceedings against us under the Magnuson-Moss Warranty Act, you may be legally required to provide us with a reasonable opportunity to rectify or resolve any non-compliance.

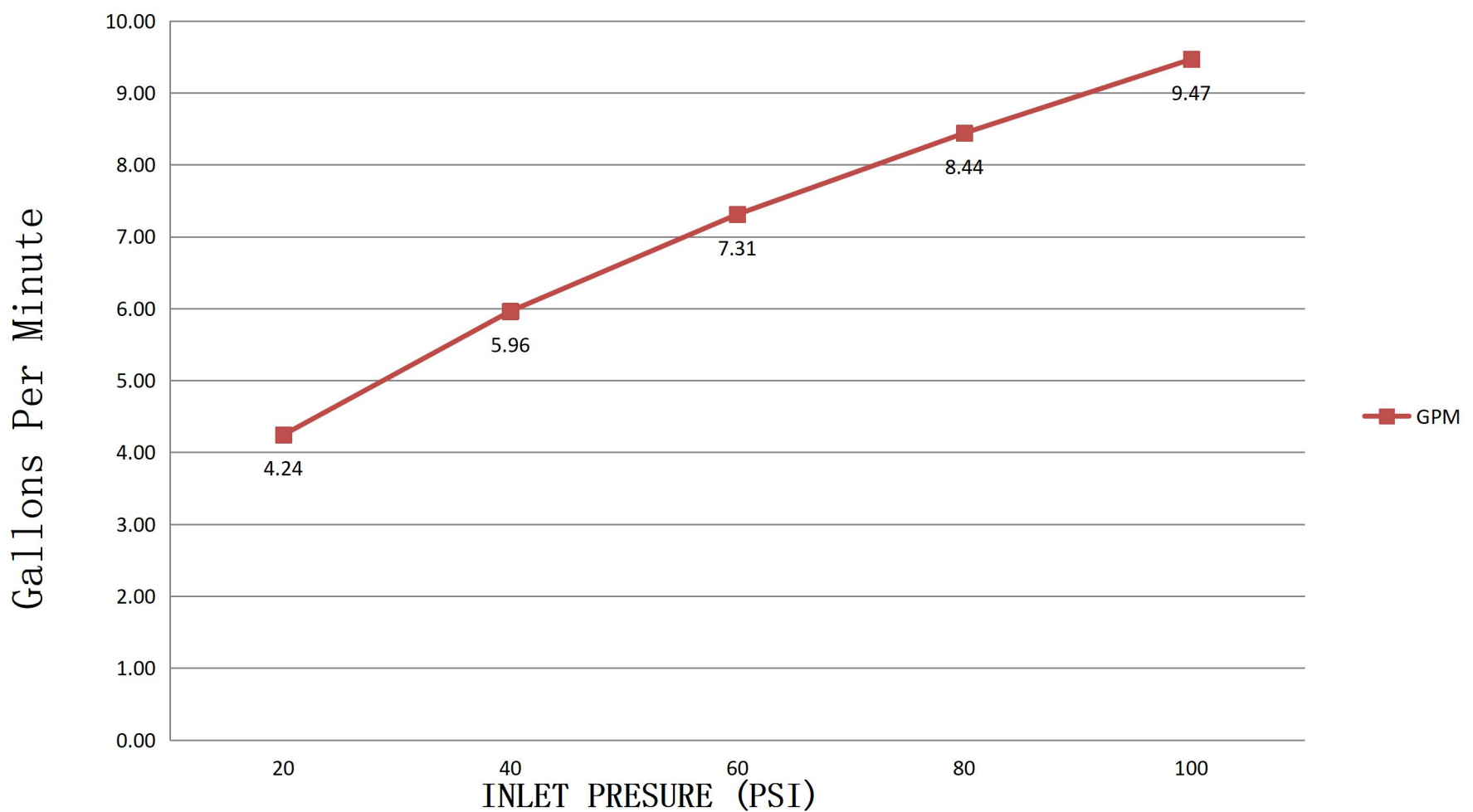
PRODUCT INSTRUCTIONS & QUESTIONS

Prior to installation, we strongly recommend conducting a meticulous inspection of your SUMERAIN product to identify any potential damage or visible defects. It is crucial to thoroughly review the accompanying instructions regarding the correct installation, maintenance, and care procedures for the product. Should you have any inquiries regarding the utilization, installation, performance, or this warranty of your SUMERAIN product, please don't hesitate to reach out to us at +1-866-2030-866 or via email at supports@sumerain.com. Our dedicated team is readily available to provide professional assistance and address any concerns you may have.

FUNCTIONS AND SPECIFICATIONS

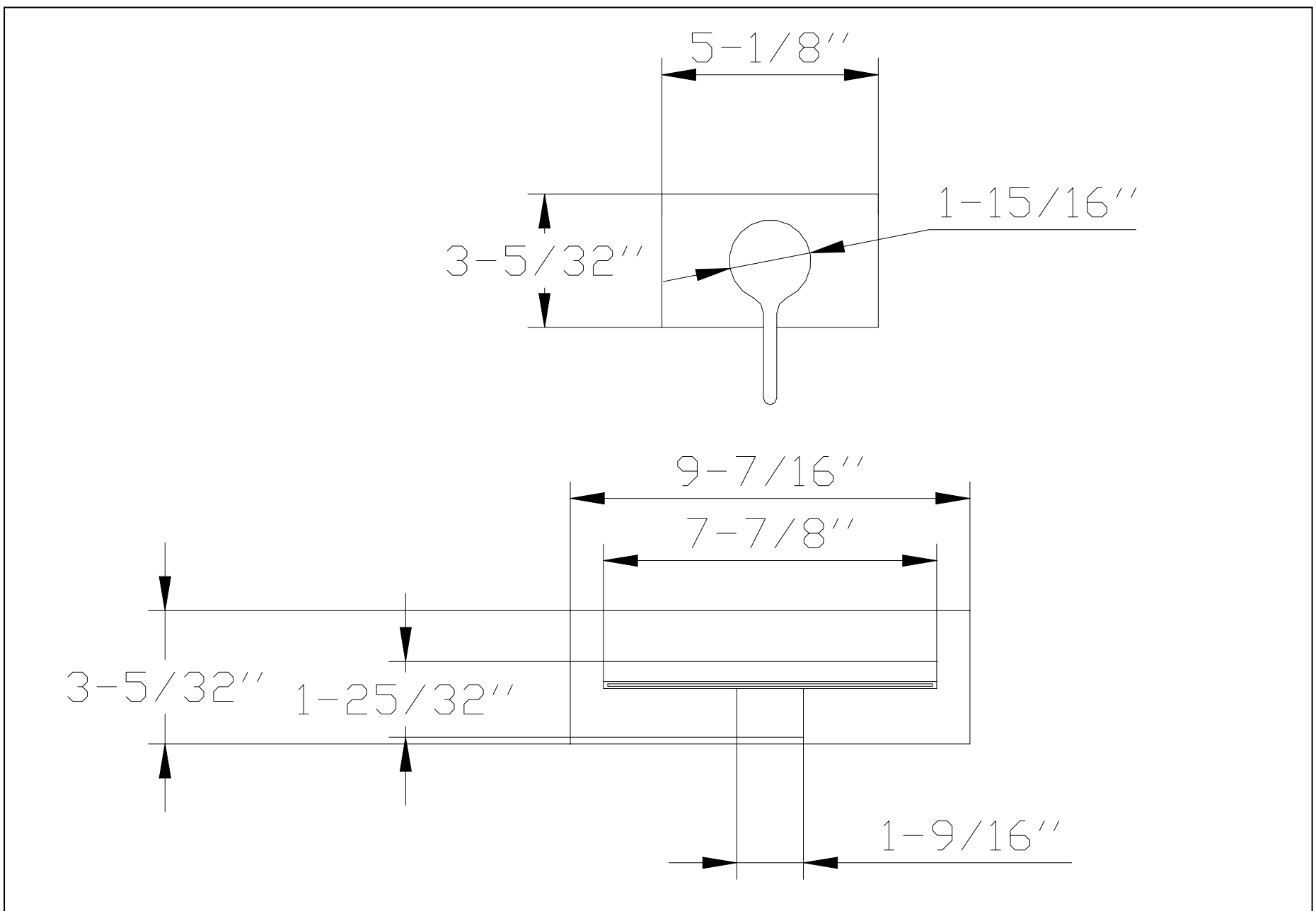
Faucet Type	Bathtub Faucet
Feature	Waterfall, Wall Mounted
Theme	Modern, Contemporary
Finish	Brushed Nickel / Matte Black/ Brushed Gold
Faucet Holes	Two
Number Of Handles	One
Handle Style	Lever
Faucet Height	Adjustable
Spout Reach	6-11/16 in. [170mm]
Spout Width	7-7/8 in. [200mm]
Spout Height	Adjustable
Installation Type	Wall Mounted
Valve Type	Ceramic Disc
Valve Body Material	Brass
Spout Material	304 Stainless Steel
Handle Material	Metal
Net Weight	6.2 lbs [2.8 kg]
Gross Weight	6.9 lbs [3.1 kg]
Working Water Pressure	29~116 PSI [0.2 ~ 0.8 MPa]
Max Flow Rate	7.3GPM [27 L/M] @60PSI
Packing Box	11-13/16 in. [300mm] x 8-21/32 in. [220mm] x 5-29/32 in. [150mm]

TUB SPOUT FLOW RATE

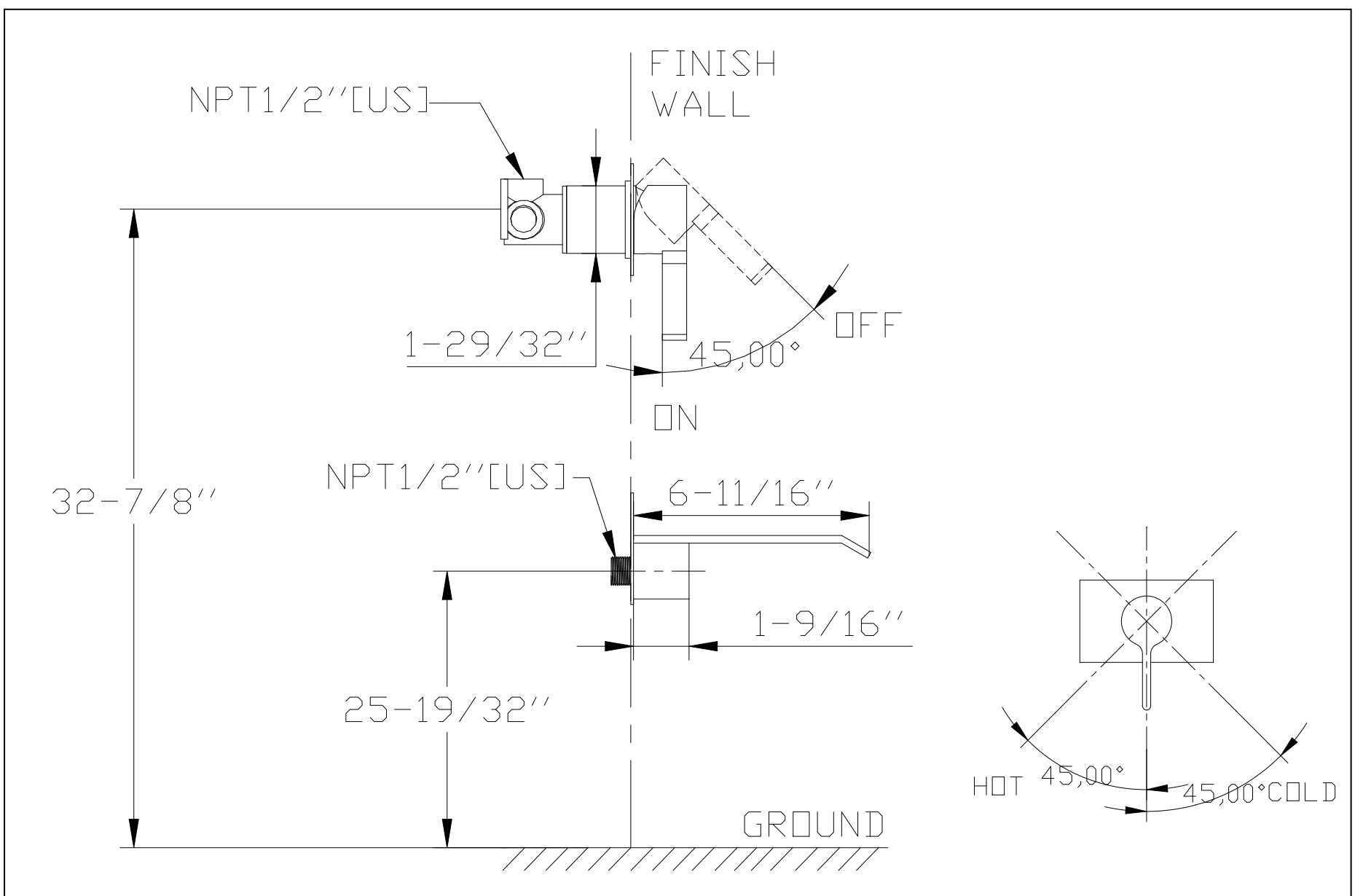


* Flow rates shown are for mixed hot and cold

DIMENSION



FRONT VIEW



SIDE VIEW

INSTALLATION STEPS

1. BEFORE PROCEEDING



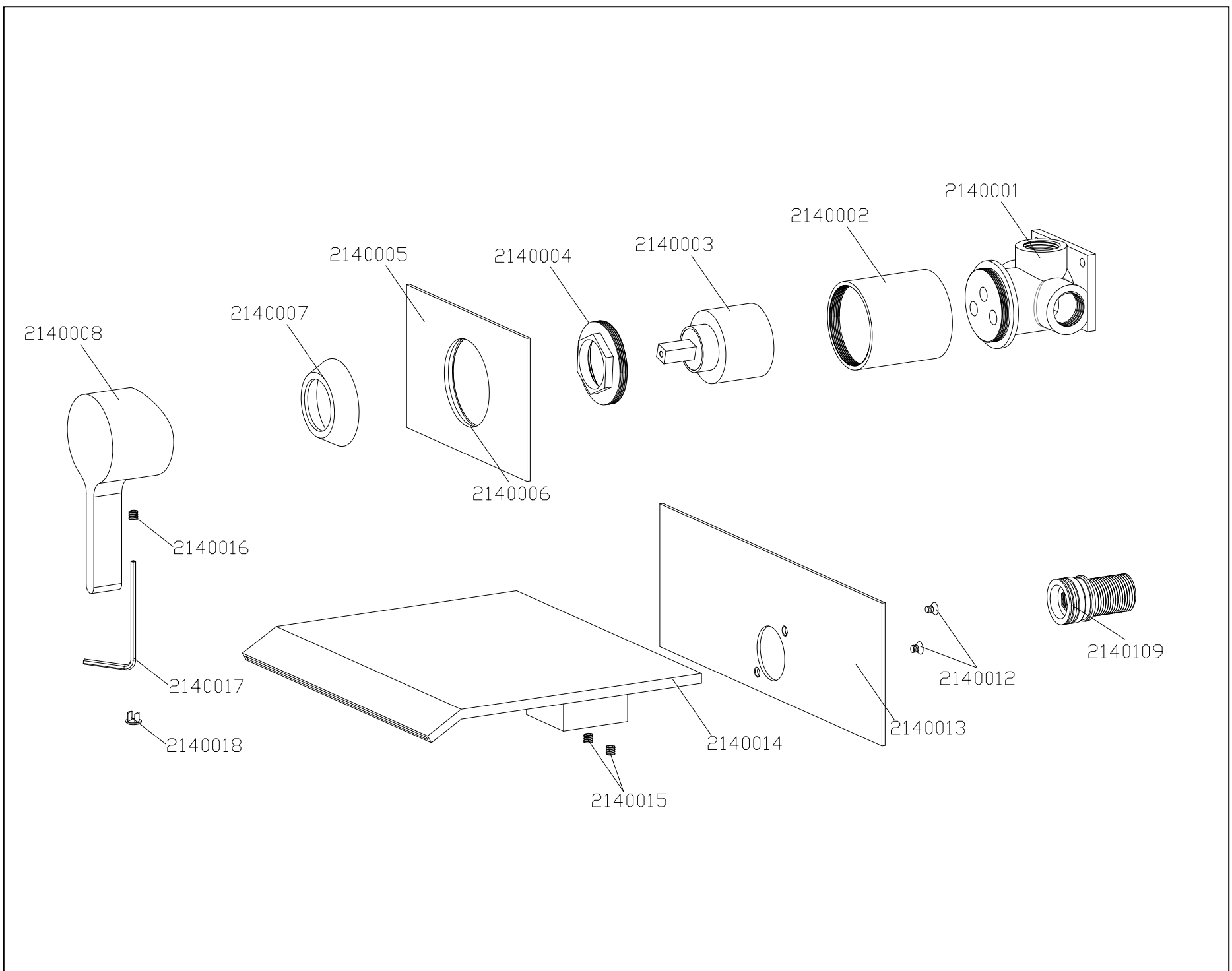
WARNING: Please read all instructions thoroughly before proceeding. We at SUMERAIN recommend hiring a professional if you are unsure about installing this product. It's important that this product be installed in compliance with all local and state plumbing and building codes.

2. SHUT OFF WATER SUPPLY

Find the water supply inlets and close the valves, usually near the water meter. If replacing an existing unit, remove it, then clean the mounting surface.

3. CHECK THE COMPONENTS OF THE BOX

Upon opening the box, check to ensure that all the following items are included. If any of these items is missing, please contact us via email: supports@sumerain.com



CODE	ITEM NAME	QTY	CODE	ITEM NAME	QTY
2140001	Rough-in valve	1 PCS	2140002	Sleeve	1 PCS
2140003	cartridge	1 PCS	2140004	Bonnet nut	1PCS
2140005	Escutcheon	1 PCS	2140006	Rubber gasket	1 PCS
2140007	Flange	1 PCS	2140008	Handle(lever)	1 PCS
2140109	Supply nippy	1 PCS	2140012	Set screw	2 PCS
2140013	Escutcheon	1 PCS	2140014	Tub spout	1 PCS
2140015	Set screw	2 PCS	2140016	Set screw	1 PCS
2140017	Allen wrench 2.8mm	1 PCS	2140018	Screw cover	1 PCS

4. BEFORE INSTALLATION



Attention: To ensure proper shower function, the shower must be installed, rinsed, and checked in accordance with all applicable regulations.

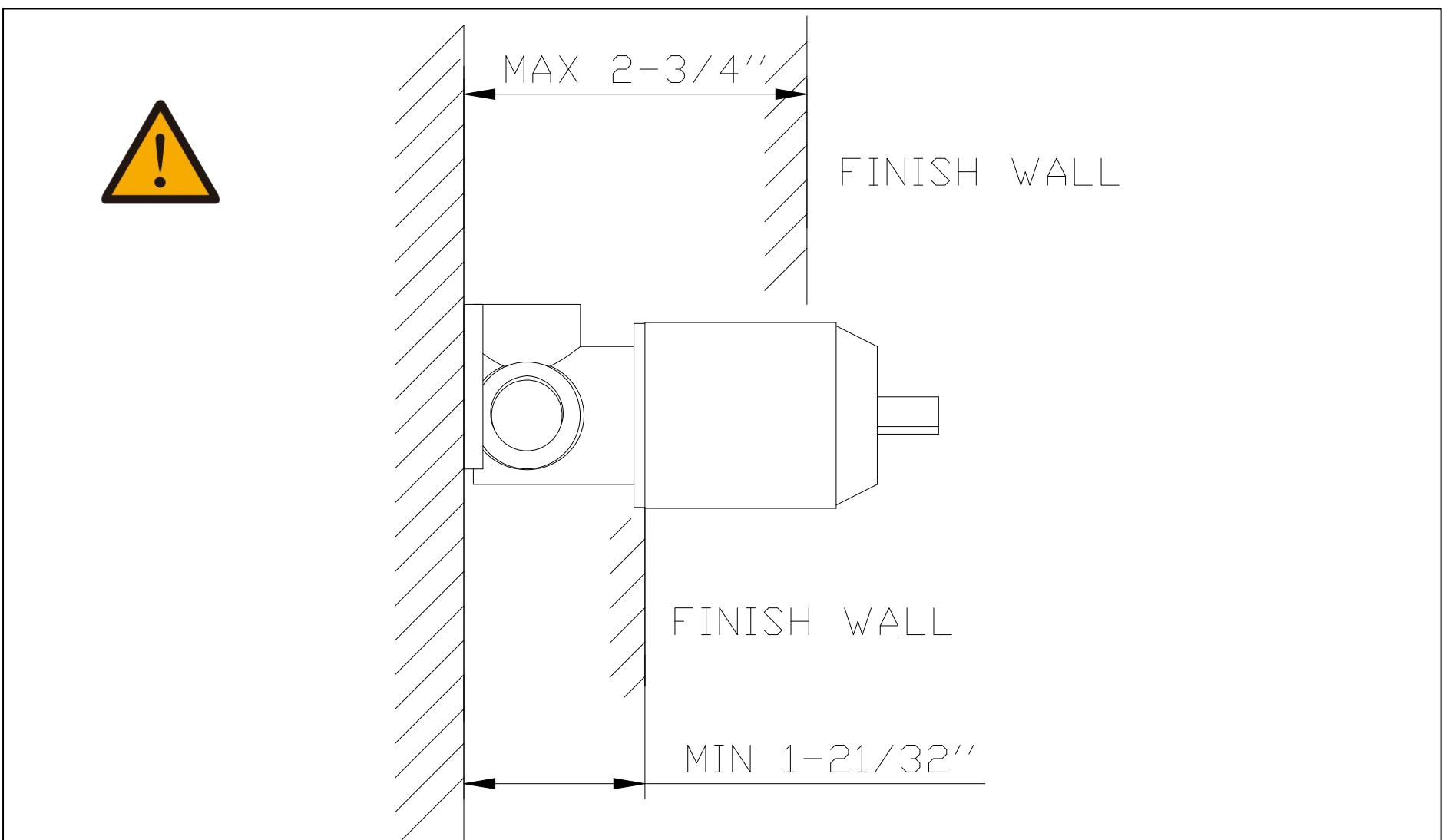
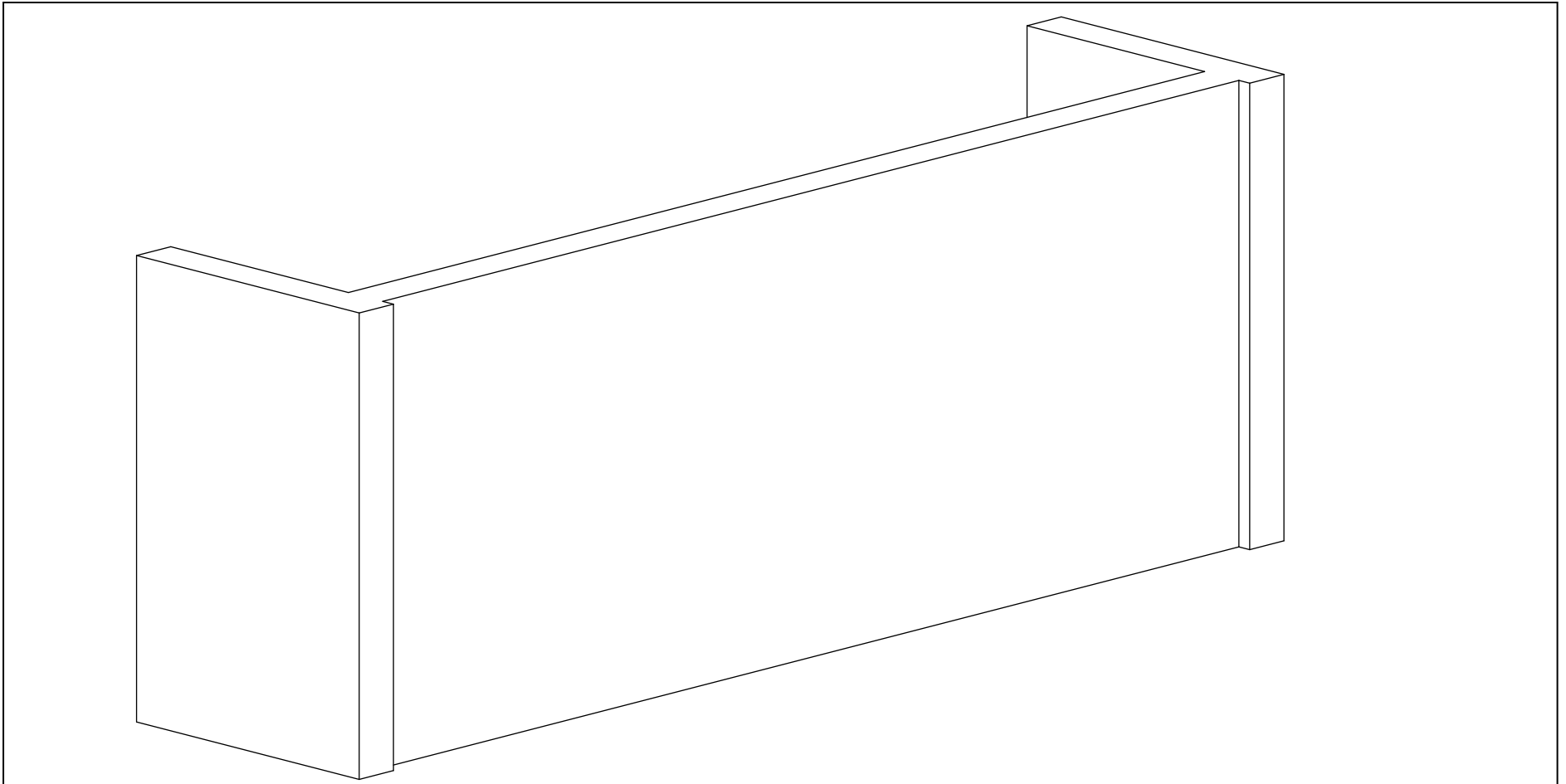
Operating pressure at the control valve: Max. 1Mpa.

Recommended operating pressure: 3 bar pressure.

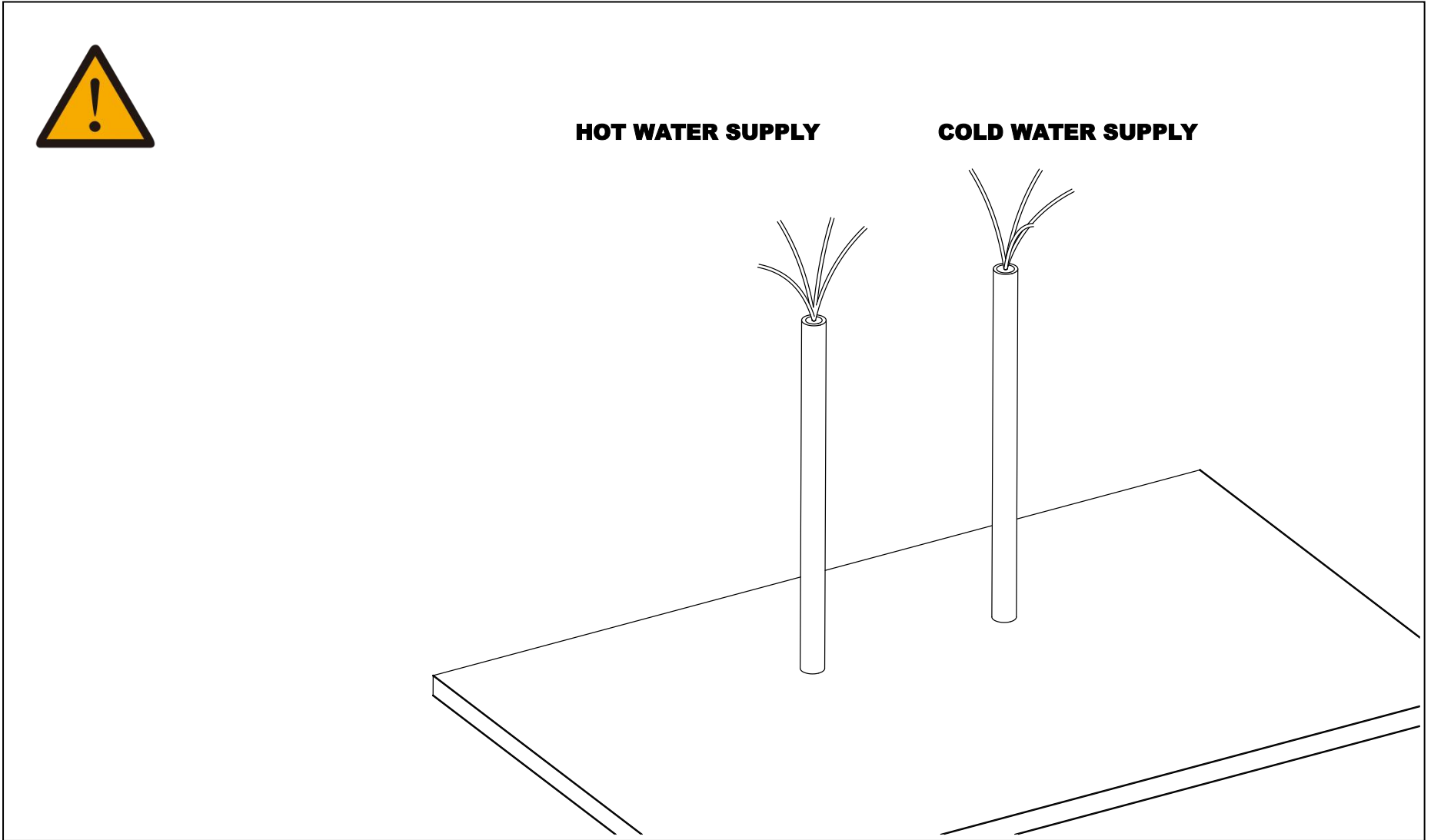
Hot water temperature: Max 60 degree centigrade (140 Fahrenheit).

5. Rough-in Valve Installation

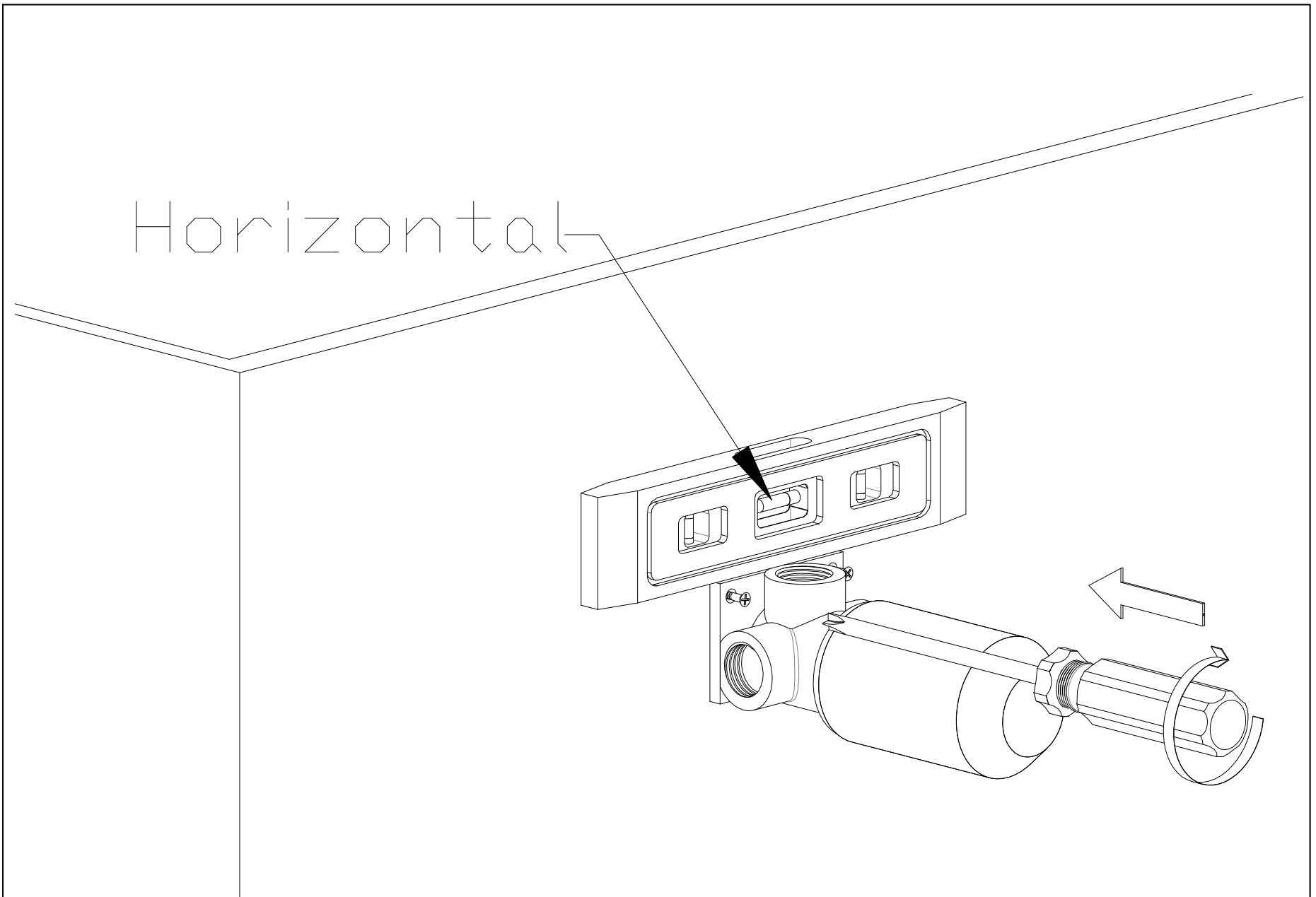
5.1 Prepare a mounting rack using wood for the installation of the rough-in valve assembly. The face of the mounting board should be positioned between 1-21/32" (42mm) and 2-3/4" (70mm) behind the finished wall surface.



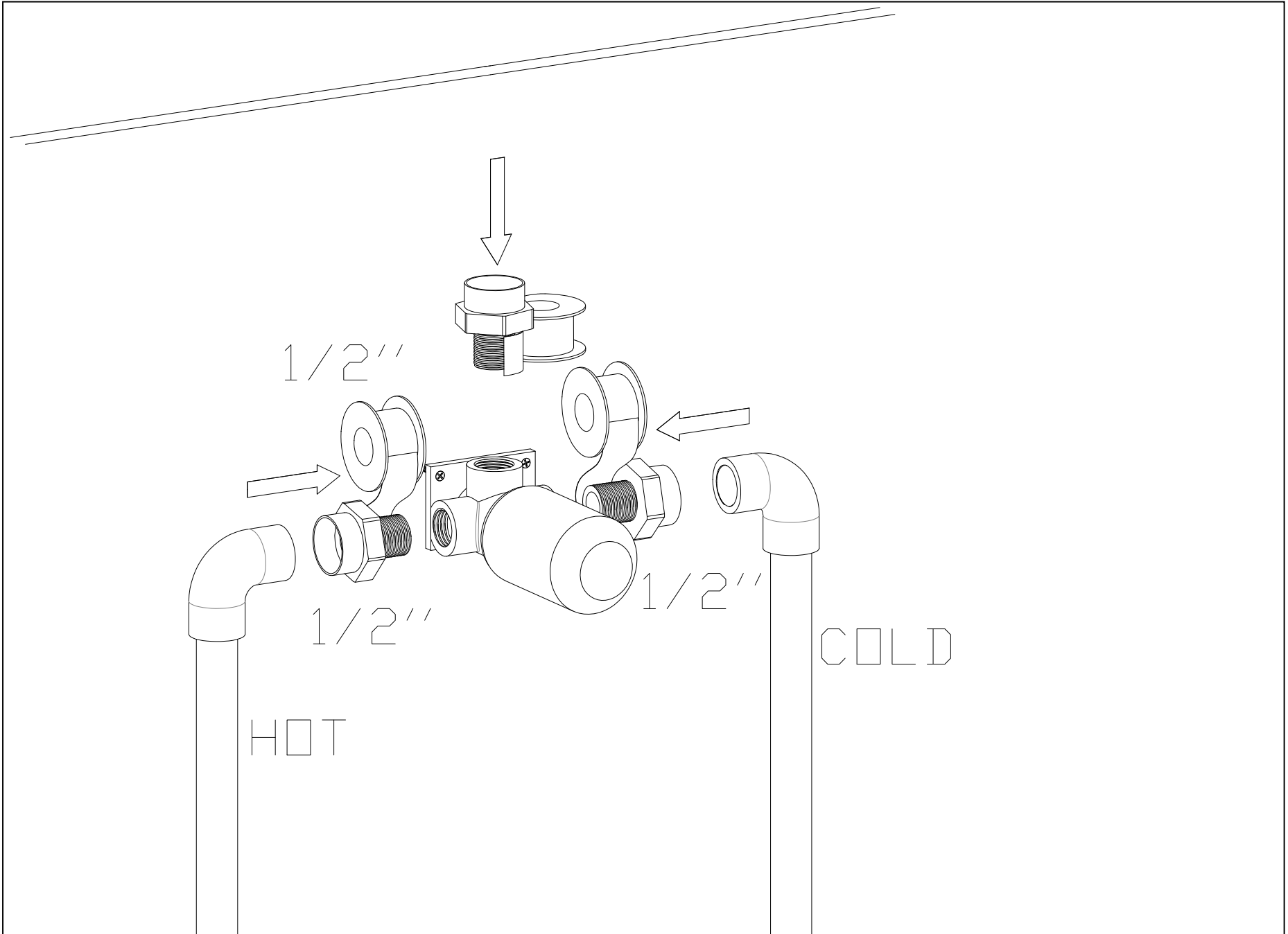
5.2 Turn on the shut-off valve to clean the hot and cold water supply pipe before connecting to the valve body, allow the water to flush 3~5 minutes to flush out the dirt and debris. Shut off the water supply again after finish.



5.3 Locate and level the valve assembly with air level. Mark the mounting hole of rough-in valve on the mounting rack.



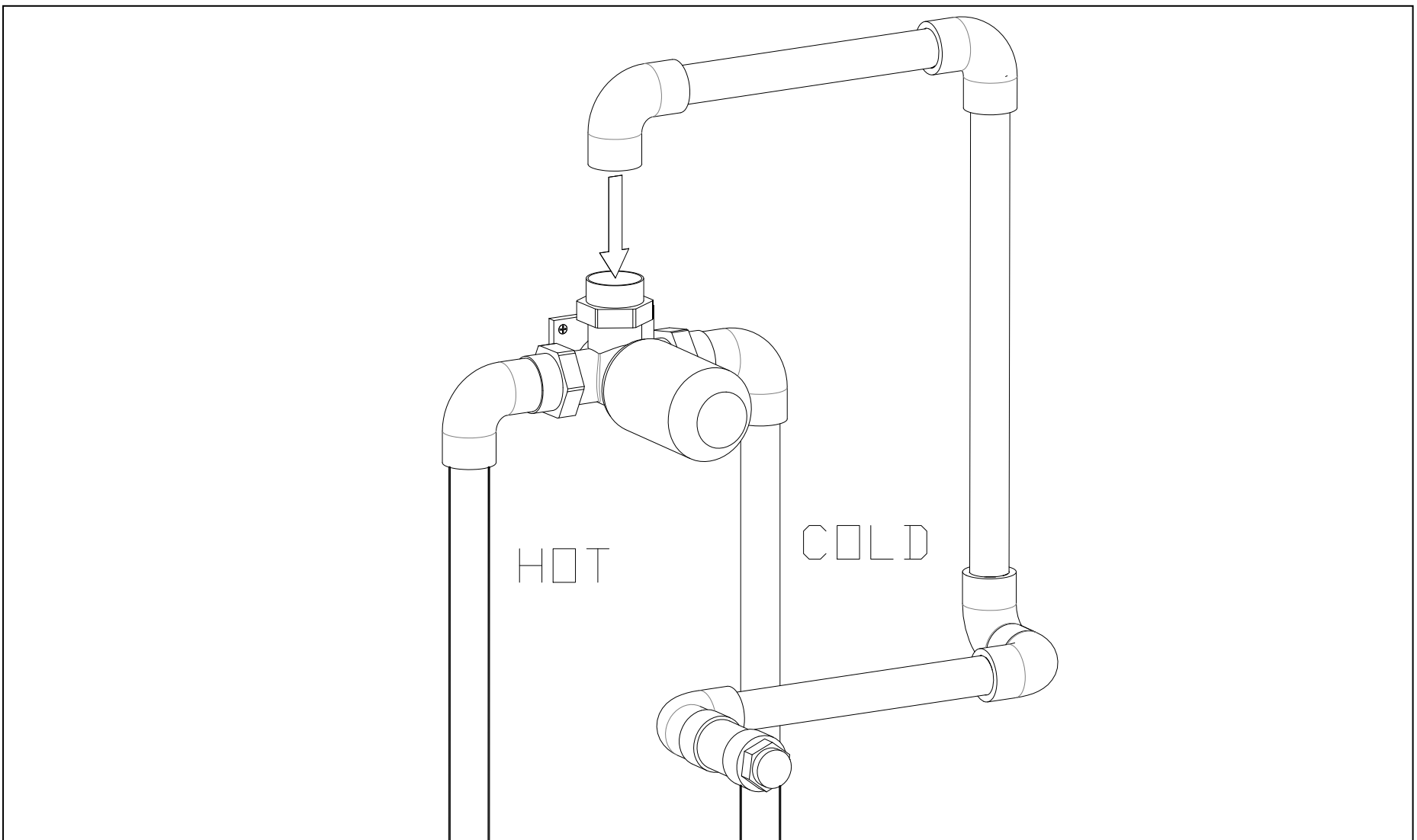
5.4 Connect the valve body to the water supplies using the appropriate fittings for your specific valve body type, which could be for copper tubing, iron pipe, or Pex.



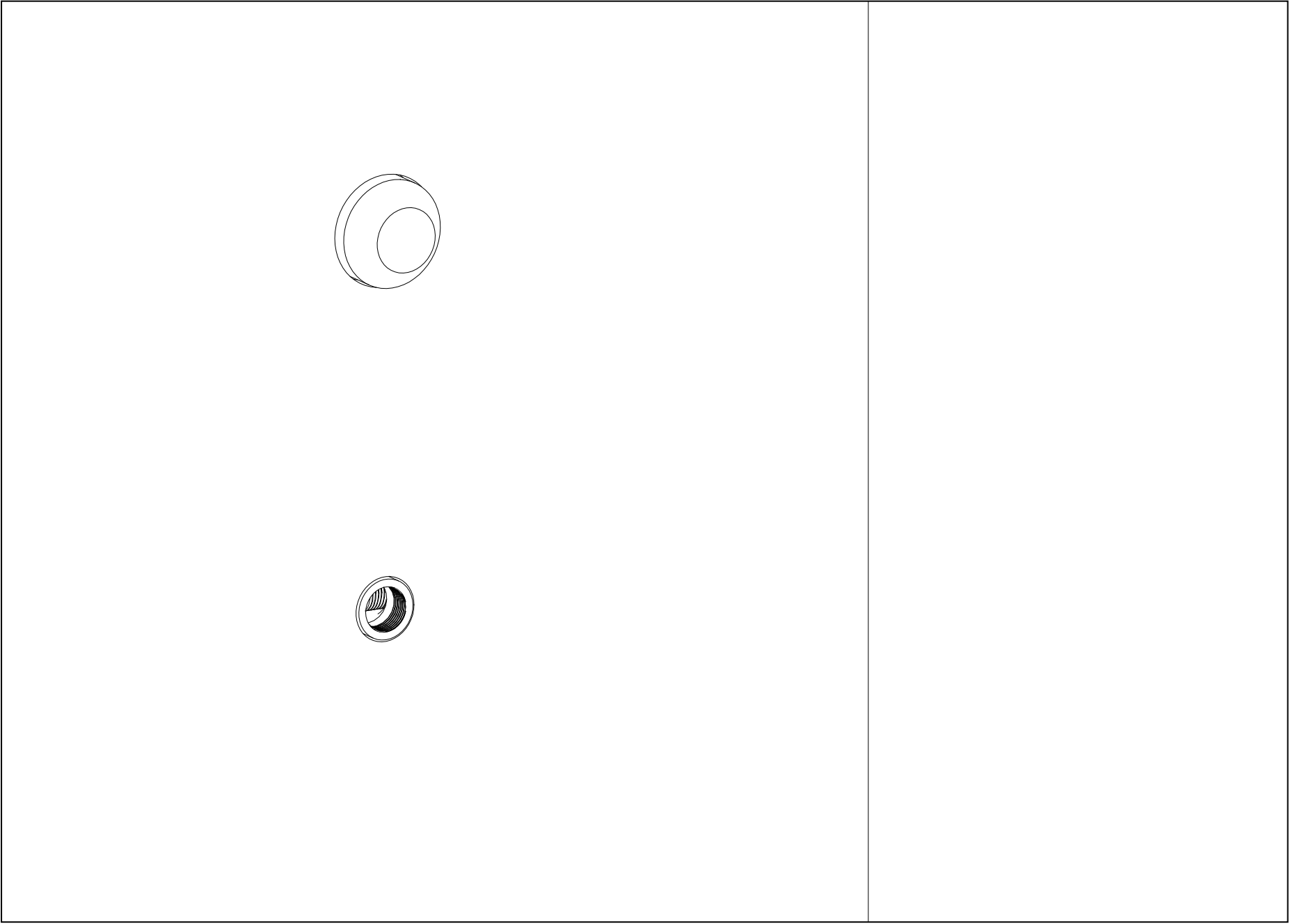
5.5 Install the feed pipe for spout .Rough-in Vale connecting thread of mixer water outlet: NPT 1/2"[US,CA] or G1/2"[others]. and turn on the hot and cold water supply and check all connections for leaks.



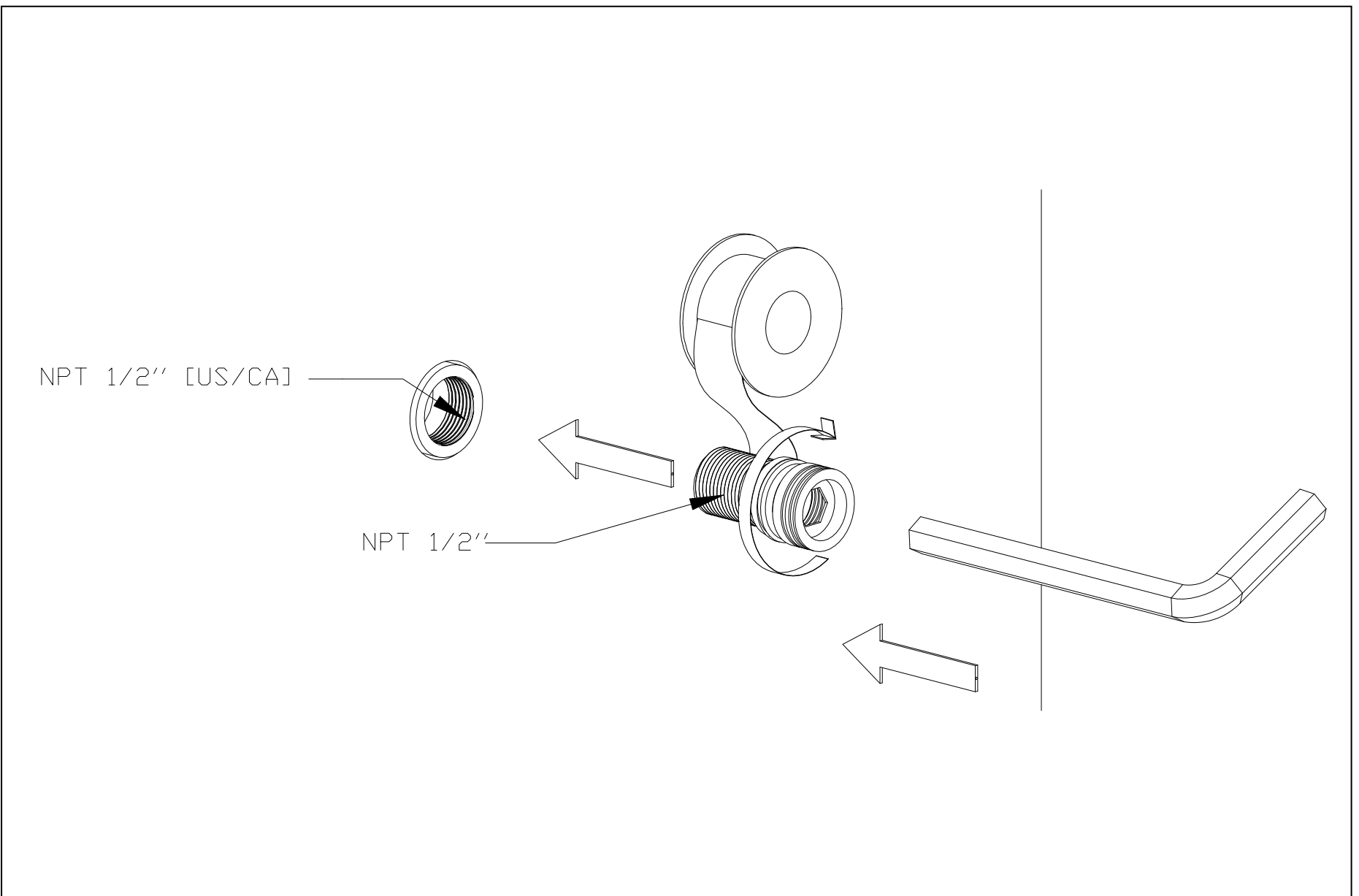
Please shut off your hot and cold water supply again if no leaking.



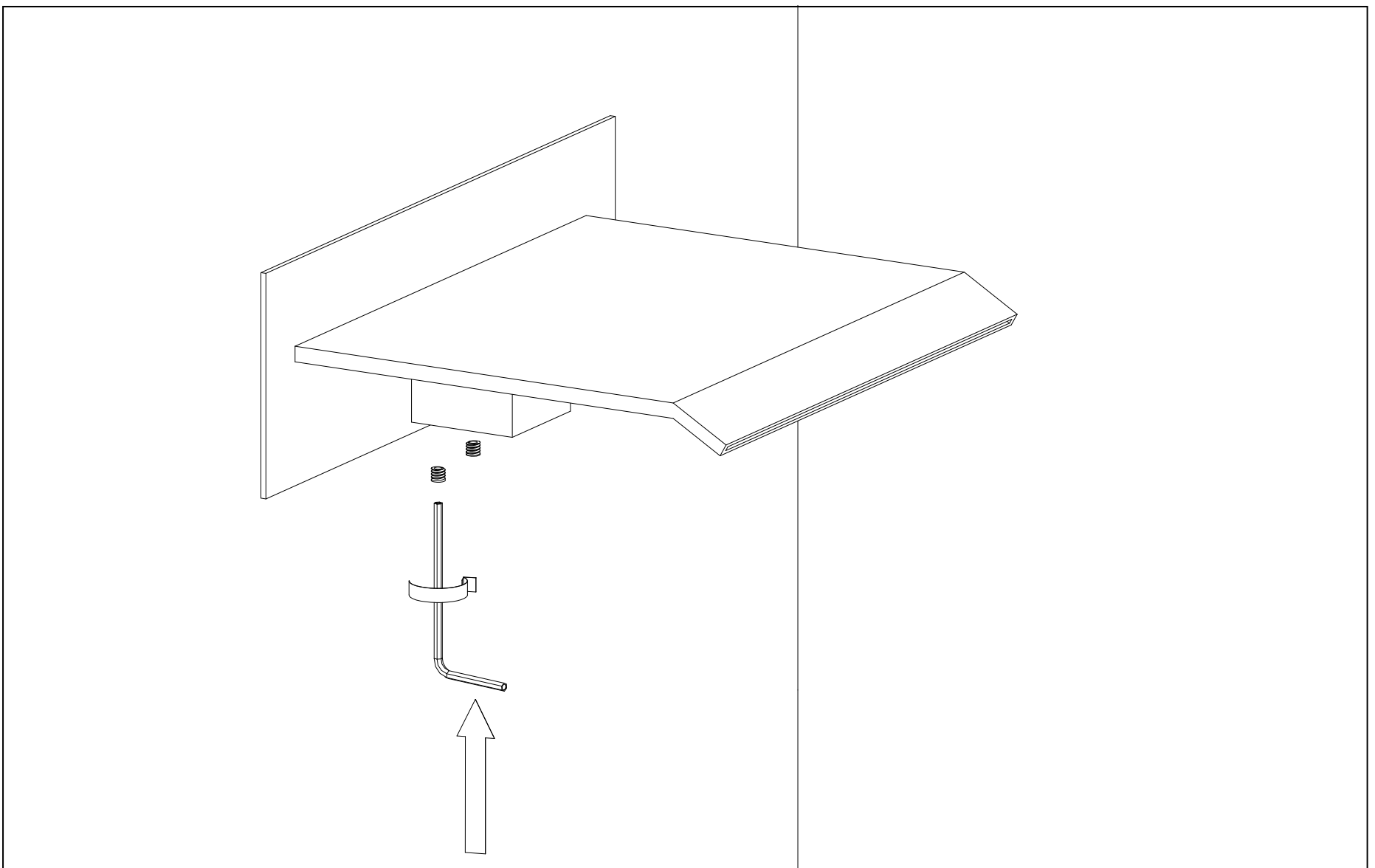
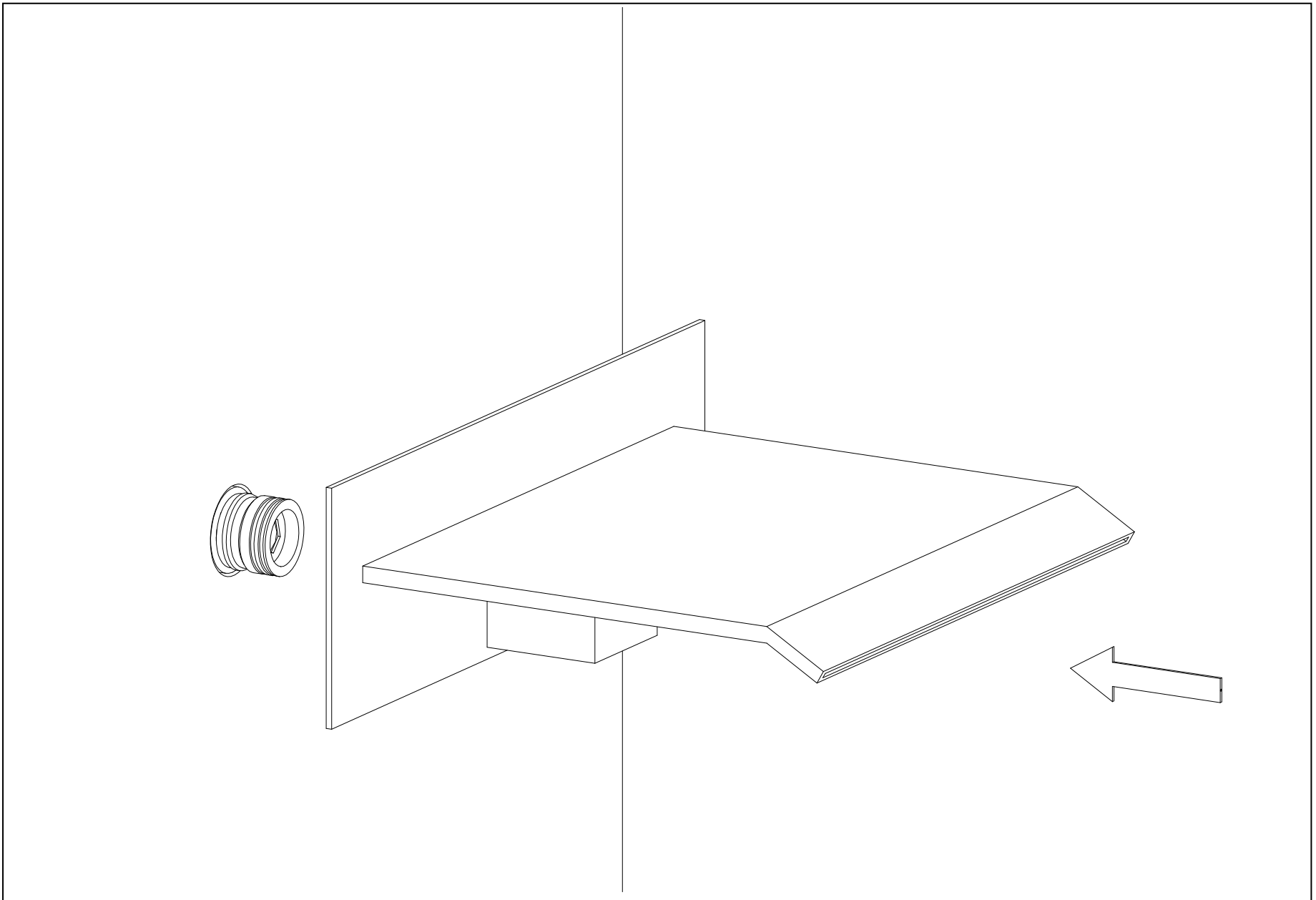
5.6 The finish wall has been completed.



5.7 Apply Teflon tape to the threads of the adapter, then connect the adapter to the mixer outlet for the tub spout.



5.8 Secure the spout to the spout adapter using the set screw. Tighten it using an Allen key.

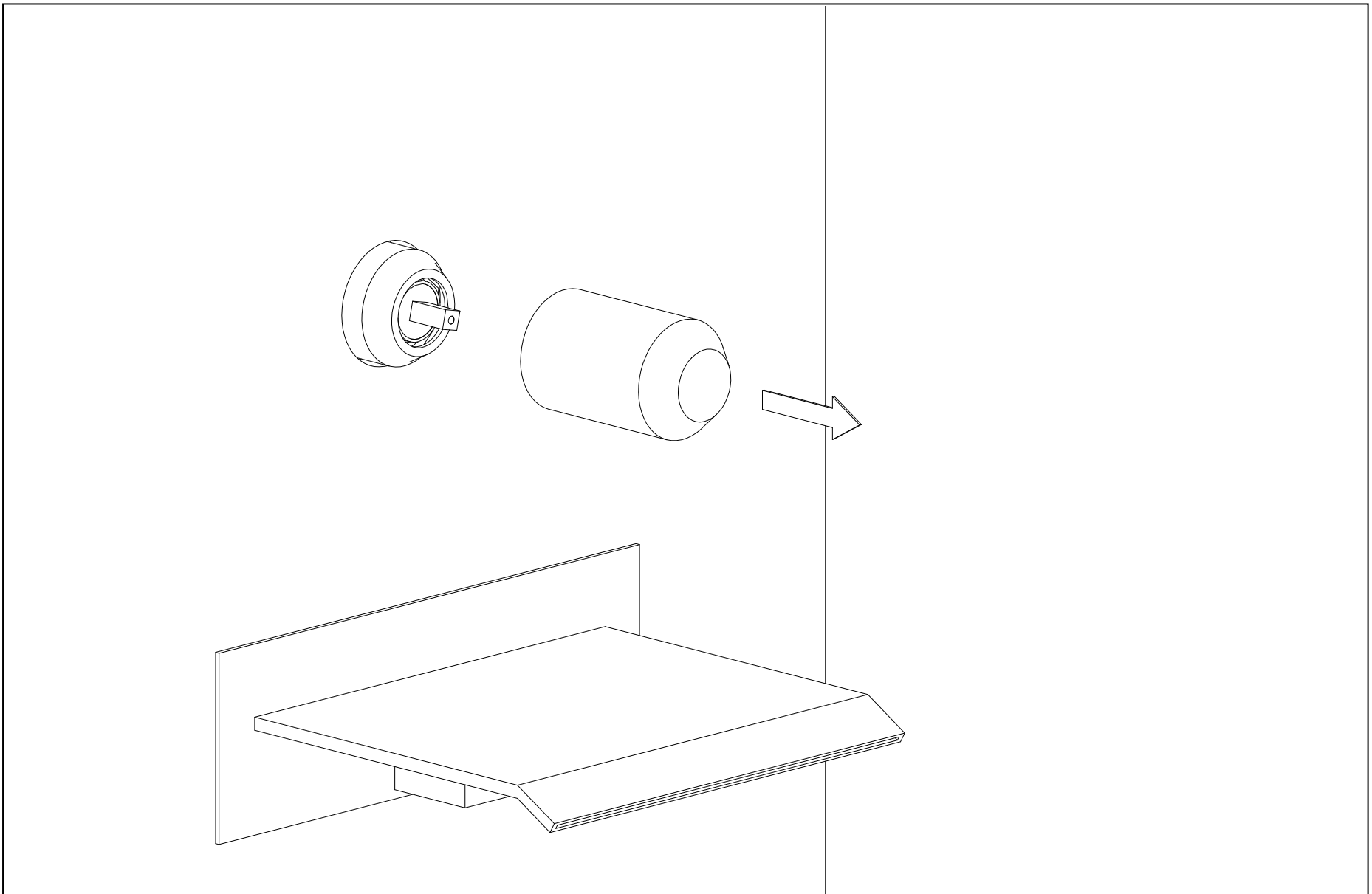


6. VALVE TRIM INSTALLATION

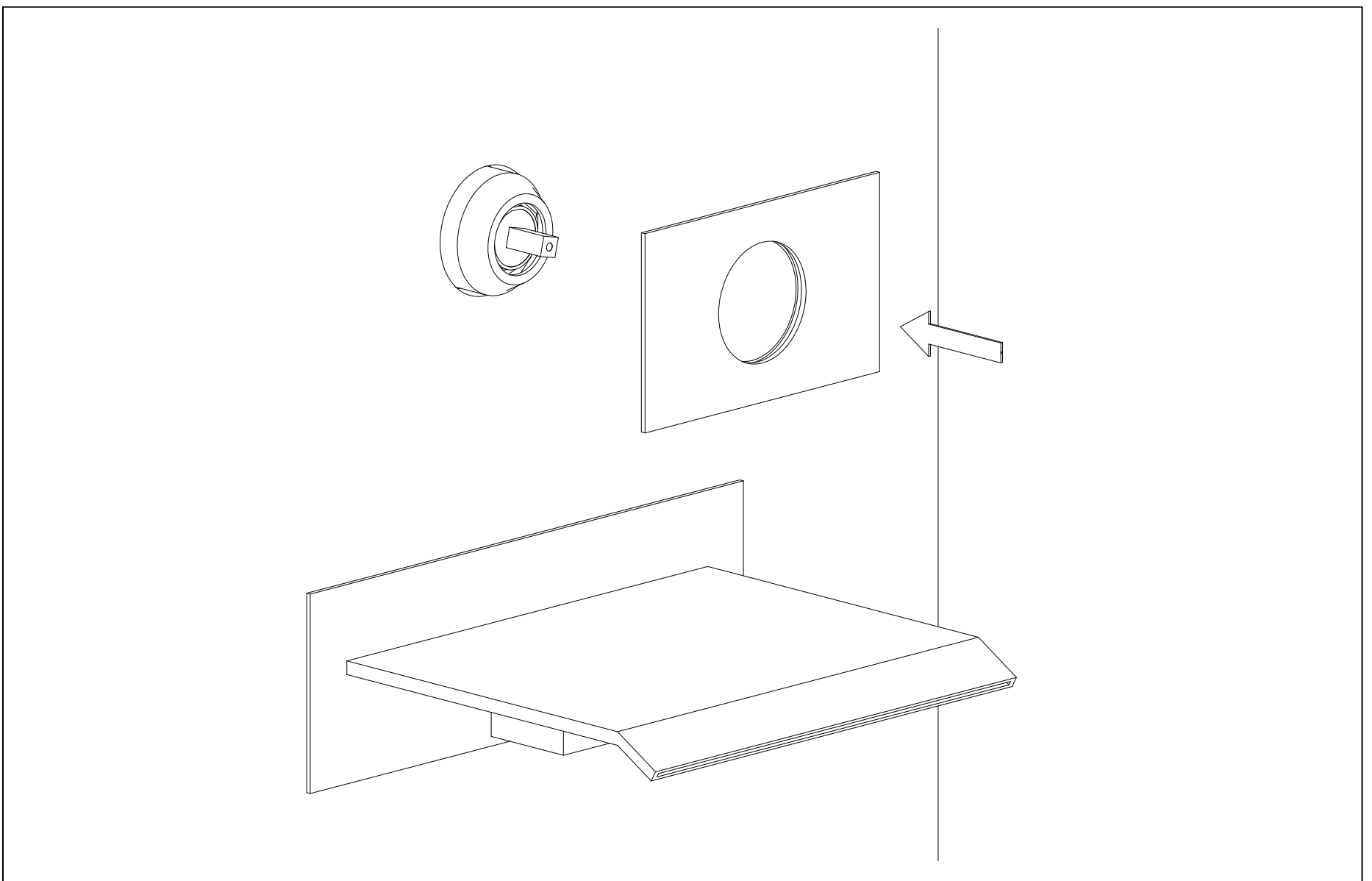
6.1 Remove the plaster guard cover and check all connections for leaks. After conducting the leak test, please replace the plaster guard cover.



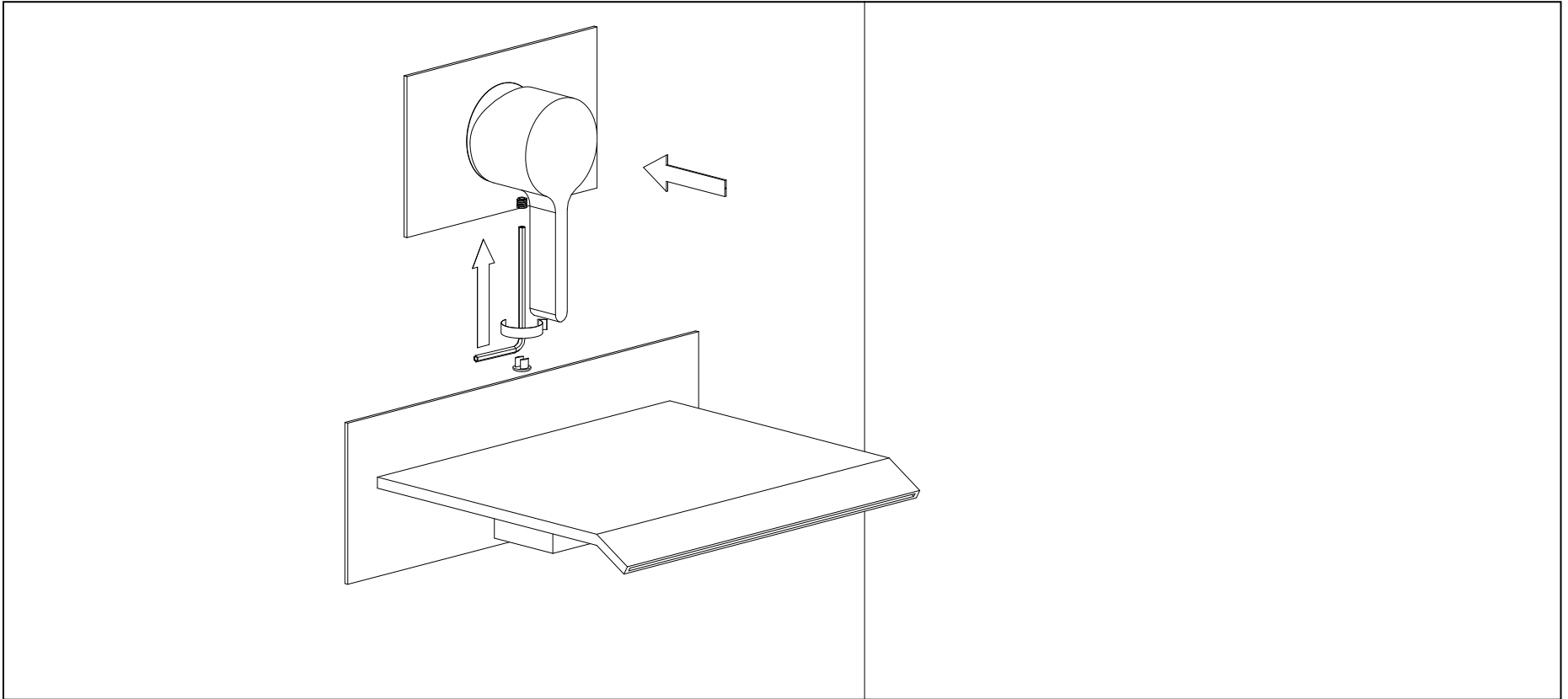
Please shut off your hot and cold water supply again if no leaking.



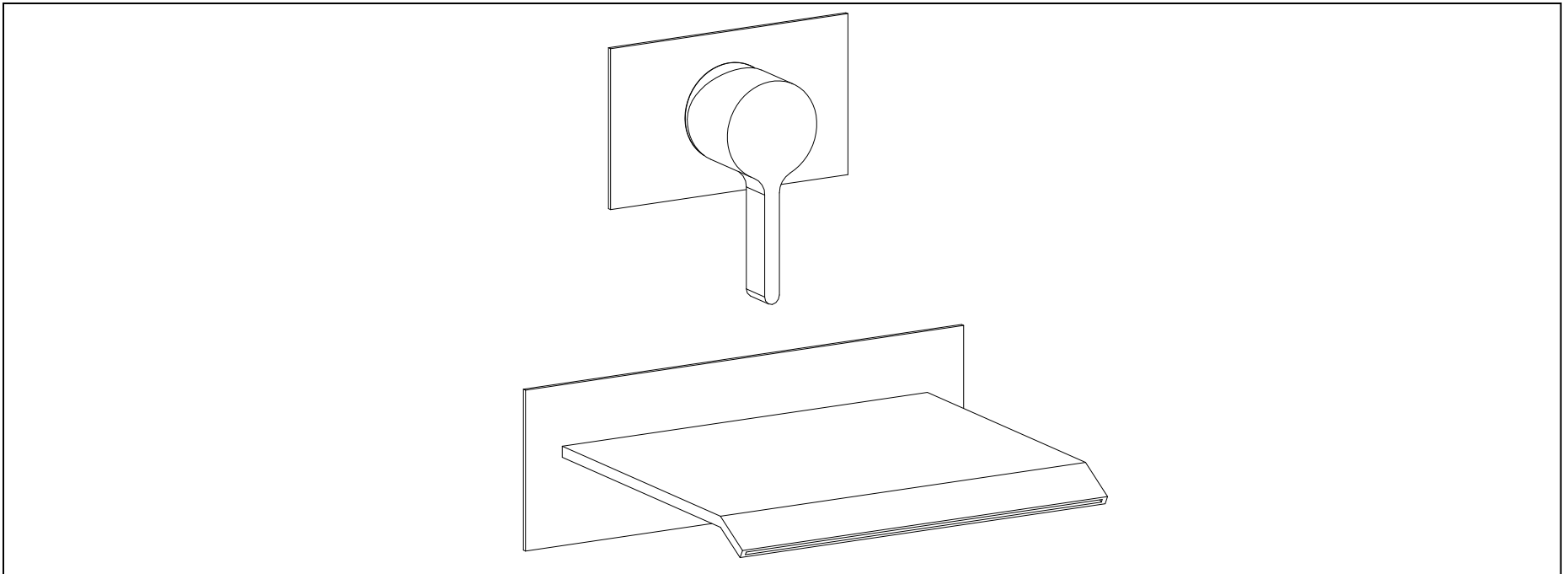
6.2 Attach the escutcheon over the valve body.



6.3 Place the handle onto the valve stem and tighten the set screws using the provided Allen wrench. Do not overtighten. Then, attach the screw cover to the handle.



6.4 The installation is finished.



7 . INSPECTION

Turn on both the hot and cold water supplies, then check all connections to ensure there are no leaks anywhere.

INSTALLATION COMPLETED

CLEANING RECOMMENDATION FOR SUMERAIN PRODUCTS

Modern lavatory faucets, kitchen faucets, and showers are built using a wide variety of materials to cater to the market's demands for design and functionality. To avoid damage and potential returns, adhering to specific cleaning guidelines is crucial.

Cleaning Materials for faucets & showers

When cleaning faucets and showers, it is important to consider the following professional terms:

- Acidic cleaning agents are essential for lime removal.
- Ensure to use only cleaning agents that are specifically designed for this particular application.
- Avoid using cleaning agents containing hydrochloric, formic, phosphoric, or acetic acid, as they can cause significant damage.
- Avoid mixing different cleaning agents, as this can cause harmful chemical reactions.
- Avoid using abrasive cleaning agents or tools, including unsuitable cleaning powders, sponge pads, or microfiber cloths that could damage the surface.

Cleaning instructions for faucets & showers

Please follow the cleaning material manufacturer's instructions. In addition, pay attention to the following points:

- Clean faucets and showers regularly as needed to maintain their optimal function and appearance.
- Apply the recommended amount of cleaning product for the specified duration. Be sure not to leave the cleaner on the faucets longer than necessary to avoid potential damage.
- Regular cleaning can help prevent calcification. If you notice scale deposits on the faucet surface or spout, use a commercial descaler such as Lime-Away® or CLR®.
- In case of rust formation due to hard water conditions, gently abrade the affected area with aluminum foil soaked in water until the surface is smooth. Subsequently, apply a modest amount of chrome polish or a suitable product like automotive wax (for instance, Meguiar's®, Turtle Wax®) to buff the surface..
- Solid stainless steel faucets and spouts, especially waterfall spouts, typically lack a protective coating. Although stainless steel is naturally resistant to tarnishing, it can oxidize over time and react to its environment. Therefore, it's crucial to keep stainless fixtures clean and dry. Use a cleaner specifically designed for stainless steel, such as Weiman® or CLR®.
- When using a spray cleaner, it is recommended that you first apply it to a soft cloth or sponge rather than spraying it directly onto the faucet. This method helps prevent water droplets from entering the faucet opening and causing potential damage.
- After cleaning, thoroughly rinse with clean water to remove any residue from the cleaner.

Important

Residues from liquid soap, shampoo, and shower gel can also contribute to damage. Therefore, it's crucial to thoroughly rinse these substances off with clean water after use.



Note: if the surface is already damaged, the application of cleaning materials might exacerbate the damage.

Components with damaged surfaces need to be replaced to avoid potential injuries.

Note that any damage resulting from improper treatment is not covered by the warranty.

SUMERAIN®

SUMERAIN INTERNATIONAL GROUP INC

Address: 1226 NORTH KING ST NUM 522
WILMINGTON, DE 19801
United States

Tel: +1(866)203-0866

Web: <http://www.sumerain.com>

E-mail: supports@sumerain.us

HONGKONG SUMERAIN SANITARY INDUSTRY CO., LIMITED

Address: FLAT/RM 3B 3/F BANK TOWER
NOS.351&353 KING'S ROAD
NORTH POINT
HK

Tel: +86-750-2731579

E-mail: supports@sumerain.com

SUMERAIN EUROPE SUPPORT

Address: Flottwellstr. 15
10785 Berlin,
Deutschland

Tel: +49 (0)30/23975898

E-mail: de@sumerain.com