

ASSEMBLY INSTRUCTIONS

TOOLS REQUIRED:

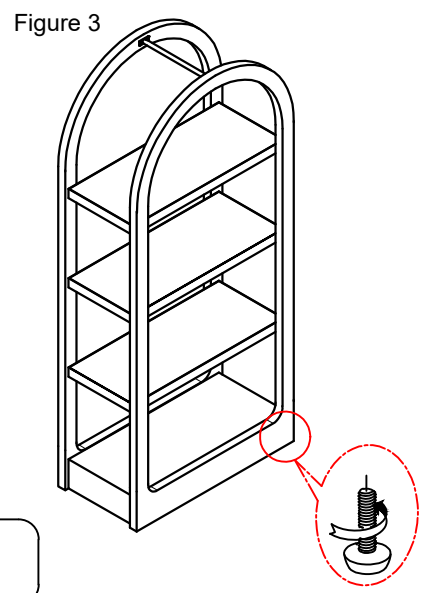
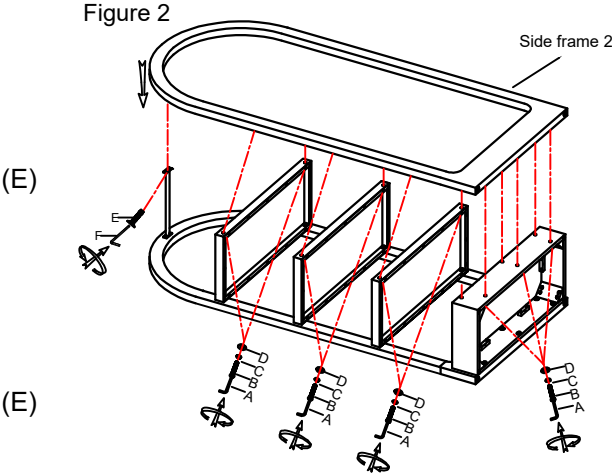
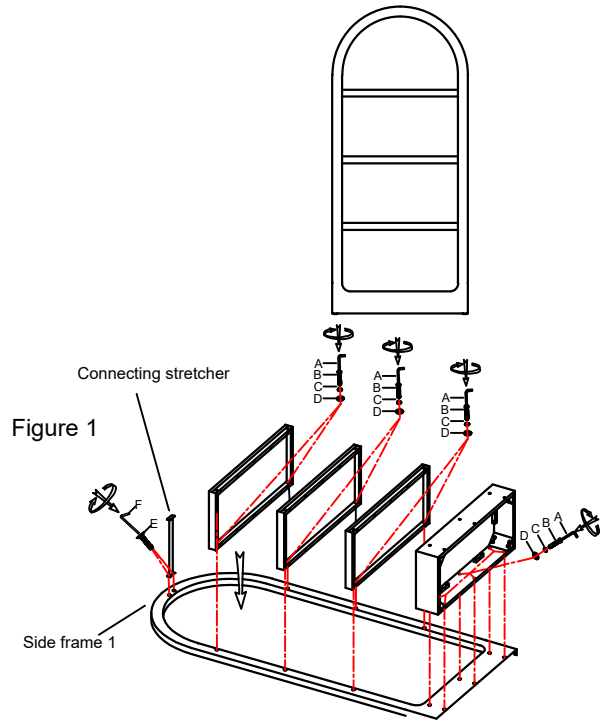
Allen Wrench (supplied, part # A & part # F)
Phillips Screw Driver (Not Provided)

BEFORE YOU START:

1. Check the parts against the parts list to make sure all items are present.
2. Assemble your furniture on a soft, flat surface to avoid scratching the finish.
3. CAUTION: Do not over tighten screws, nuts or bolts during assembly.
4. Your furniture may require occasional tightening.

INSTRUCTIONS:

1. Set the side frame 1 on a smooth and clean soft surface.
2. Attach Shelves to side frame 1 using Bolt (B), Lock washer (C), Flat washer (D) and tighten with Wrench(A). As shown in Figure 1.
3. Attach connecting stretcher to side frame 1 by using Bolt (E) with Wrench (F) As shown in Figure 1.
4. Attach side frame 2 to Shelves by using Bolt (B), Lock washer (C), Flat washer (D) and tighten with Wrench(A) As shown in Figure 2.
5. Attach side frame 2 to connecting stretcher by using Bolt (E) with Wrench (F) As shown in Figure 2.
6. To level the etagere, please adjust the bottom levelers accordingly. As shown in Figure3.



HARDWARE PACK				
NO.	DRAWING	DESCRIPTION	SIZE	Q'TY
A		Allen Wrench	73*29*5mm	1PCS
B		Bolt	5/16*45mm	24PCS
C		Lock Washer	5/16mm	24PCS
D		Flat Washer	5/16*22mm	24PCS
E		Bolt	5/16-18*1"	4PCS
F		Allen Wrench	3/16"	1PCS

