
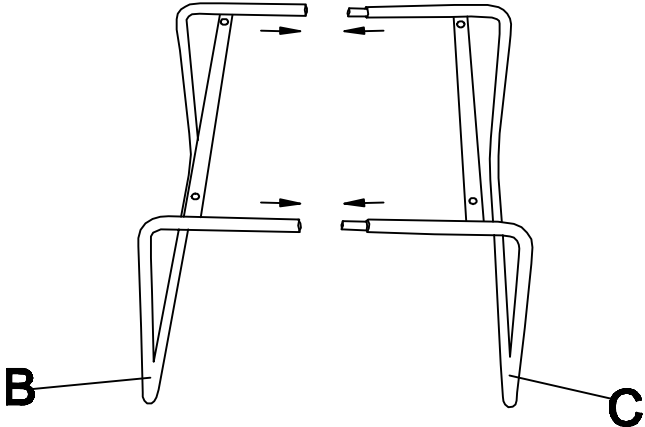
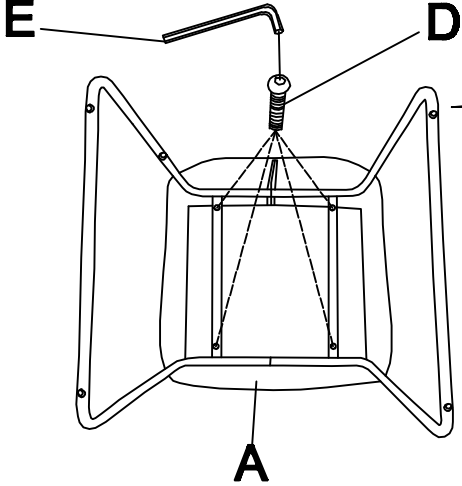

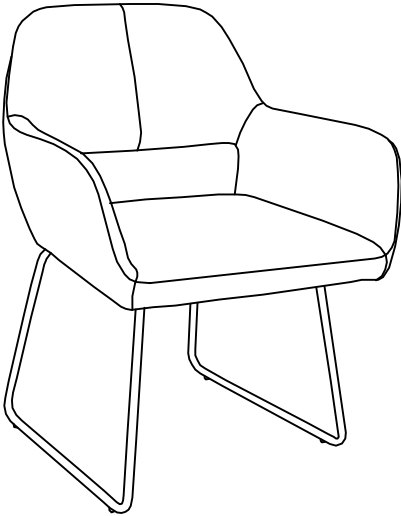
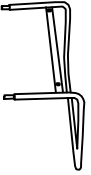




# ASSEMBLY INSTRUCTION

<< Before assembling, read all the instruction >>

<p><b>A×1</b></p> 	<p><b>1</b></p> 	<p><b>2</b></p> 
<p><b>B×1</b></p> 	<p><b>3</b></p> 	
<p><b>C×1</b></p> 		
<p><b>D×4</b></p> 		
<p><b>M6×25</b></p>		
<p><b>E×1</b></p> 		
<p><b>M6</b></p>		