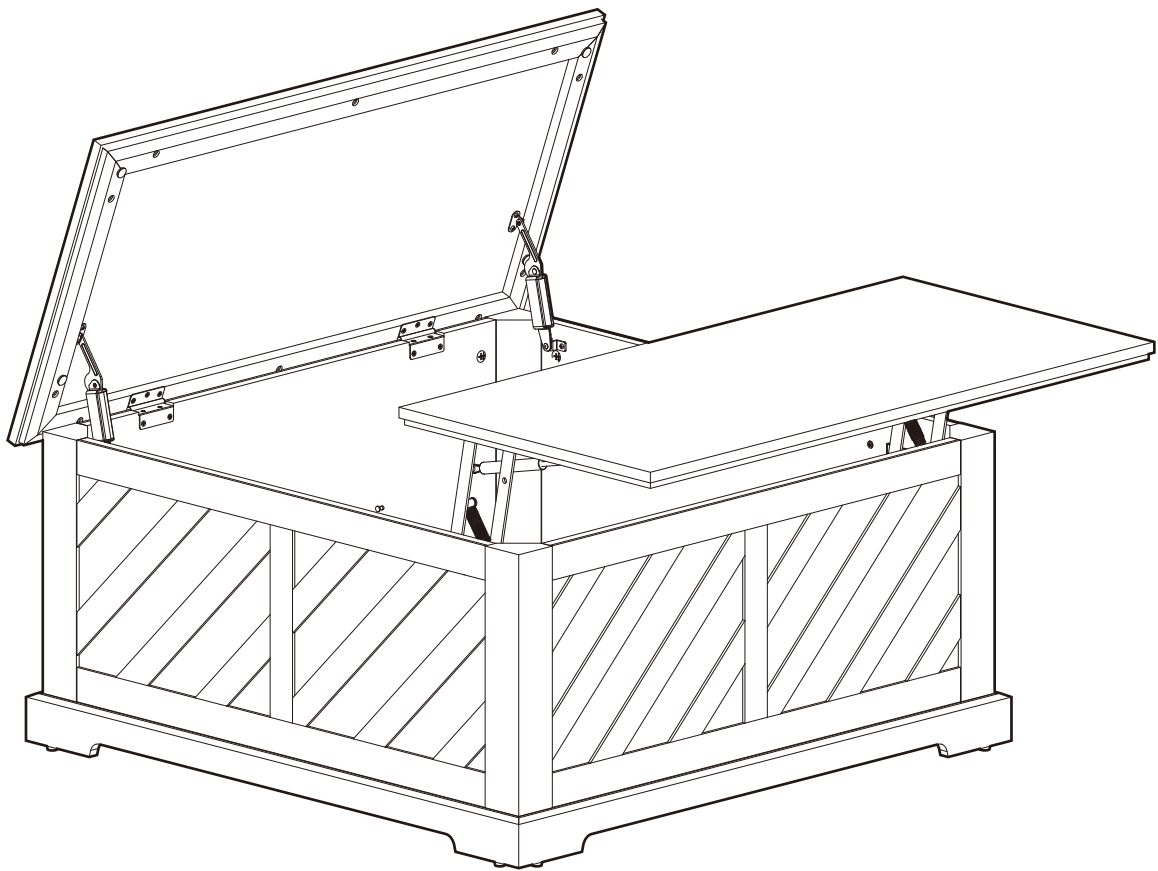


# INSTRUCTION MANUAL

---



## Coffee Table

---

## Important Safety Information

- Please carefully read all instructions before attempting installation. If you DO NOT understand the instructions or have any questions or concerns, please call technical support or email customer service.

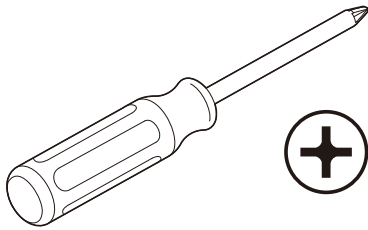
**CAUTION:** Avoid potential injuries and property damage!

- DO NOT use this product for any purpose that is NOT explicitly specified in this manual. We are NOT liable for damage or injury caused by improper mounting, incorrect assembly or inappropriate use.

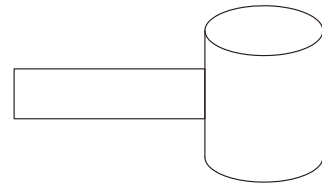
**WARNING:** This product contains small parts that may pose a choking hazard.

- Before starting assembly, verify all parts are included and undamaged. DO NOT use damaged or defective parts. If you require replacement parts, please call technical support or email customer service.

## Tools Needed (Not Included)

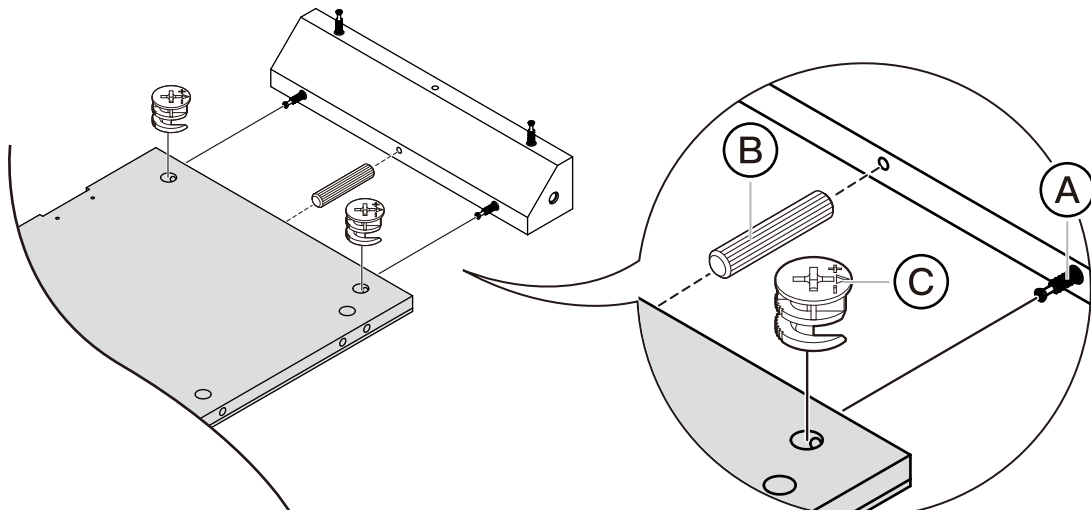


Phillips Screwdriver



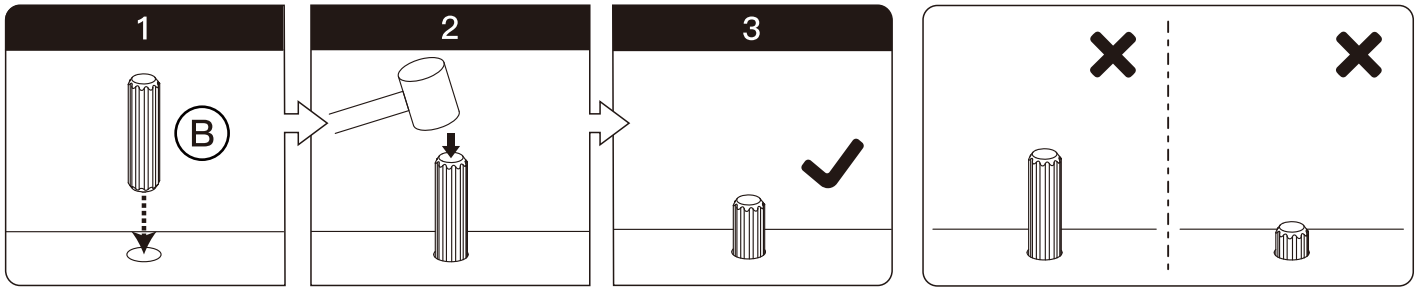
Rubber Mallet

## How the Assembly System Works



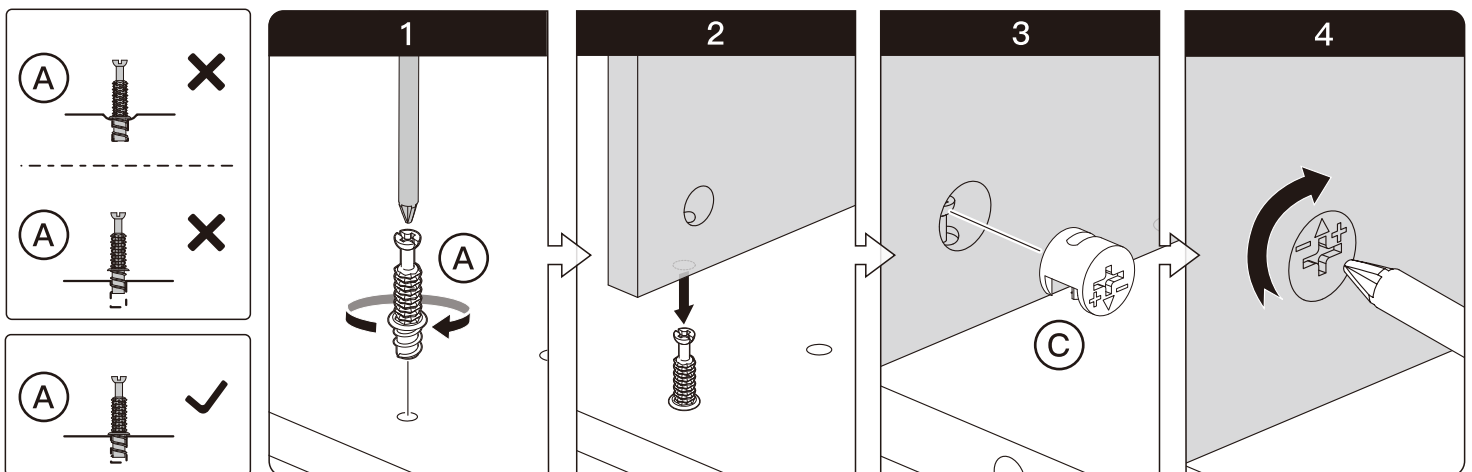
## How to Install Wood Dowels

Insert the wood dowel [B] at least halfway into the hole. IF NECESSARY, lightly tap the wood dowel with a self-supplied rubber mallet.



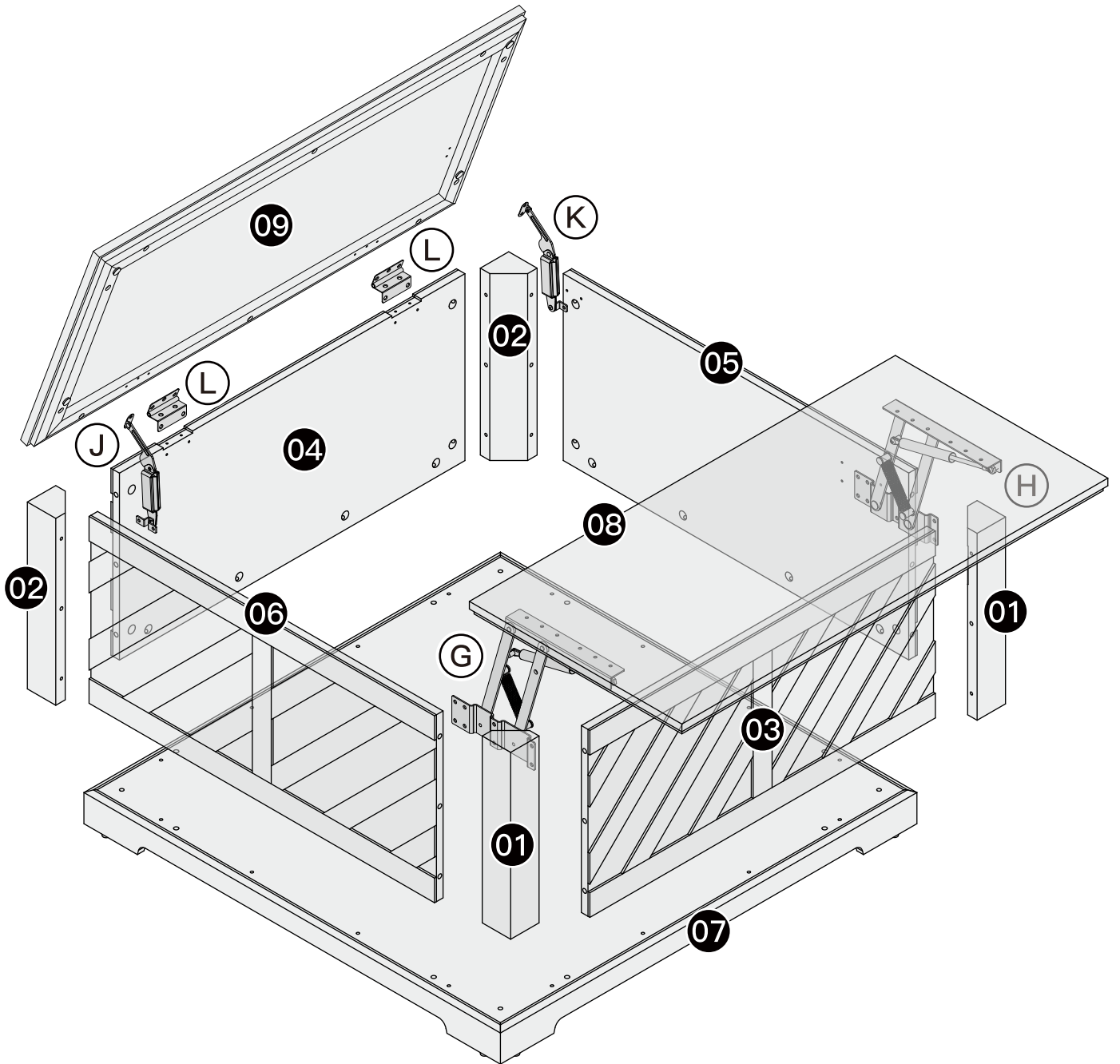
## Using the Cam Lock System

1. Screw cam bolt [A] into threaded hole on the panel.
2. Connect both panels together. Make sure cam bolt [A] goes into the pre-drilled hole on the end of the panel for cam lock [C].
3. Insert cam lock [C] into large hole on the panel. Make sure the open slot on cam lock [C] faces the head of cam bolt [A].
4. Turn cam lock [C] clockwise to tighten.



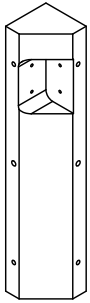
You are now ready to assemble the coffee table.

# Exploded Drawing



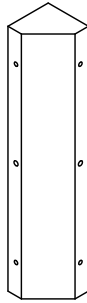
# Supplied Parts and Hardware

01 x 2



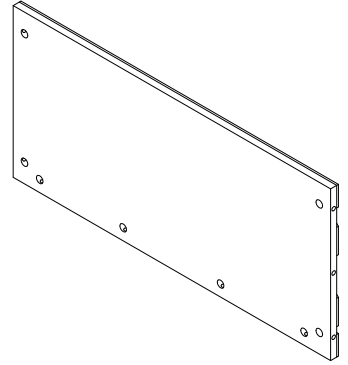
Leg

02 x 2



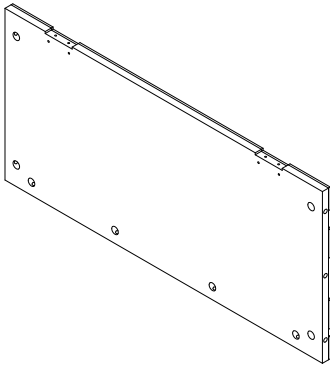
Leg

03 x 1



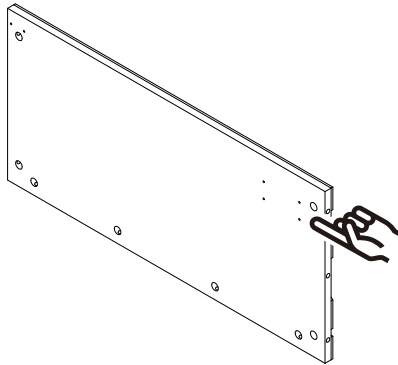
Front Side Panel

04 x 1



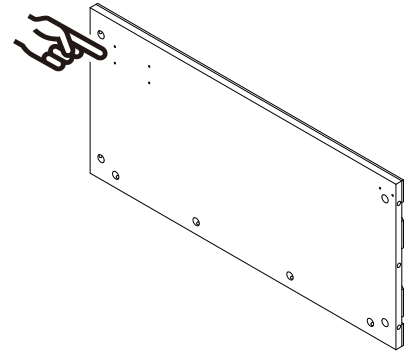
Back Side Panel

05 x 1



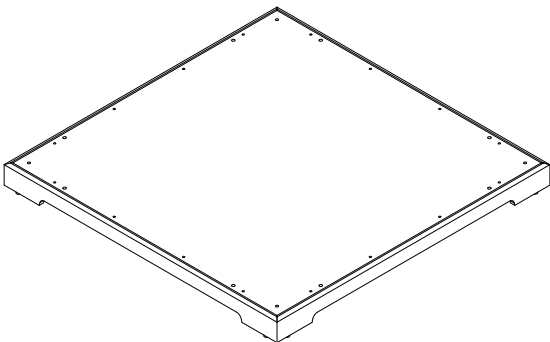
Right Side Panel

06 x 1



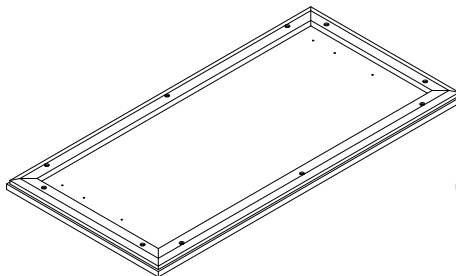
Left Side Panel

07 x 1



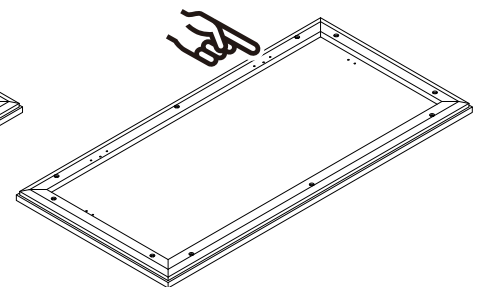
Base

08 x 1



Front Top Panel

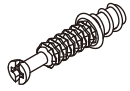
09 x 1



Back Top Panel

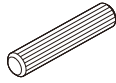
# Supplied Parts and Hardware

(A) x 32



Cam Bolt

(B) x 16



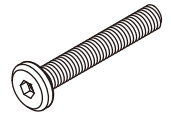
Ø8 x 30mm  
Wood Dowel

(C) x 32



Cam Lock

(D) x 4



M6 x 40mm  
Bolt

(E) x 4



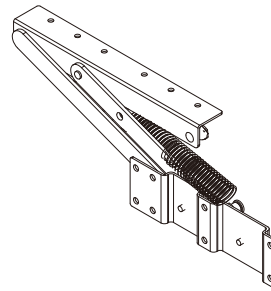
Ø16 x 1/4" x 1mm  
Washer

(F) x 4



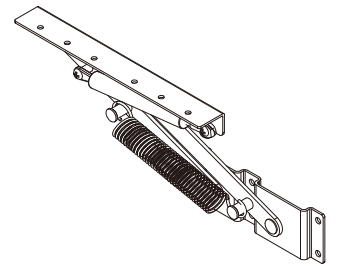
1/4" x 1.5mm  
Washer

(G) x 1



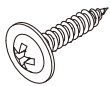
Lift Mechanism

(H) x 1



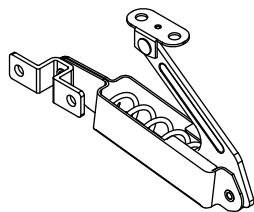
Lift Mechanism

(I) x 18



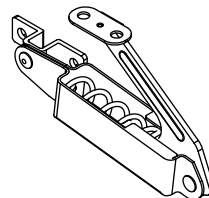
Ø7 x 15mm  
Screw

(J) x 1



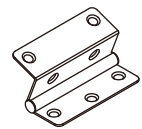
Flip Arm

(K) x 1



Flip Arm

(L) x 2



Hinge

(M) x 14



Ø7 x 12mm  
Screw

(N) x 8



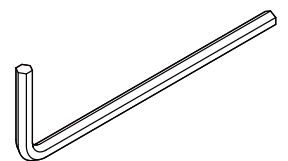
Ø7 x 12mm  
Screw

(O) x 8



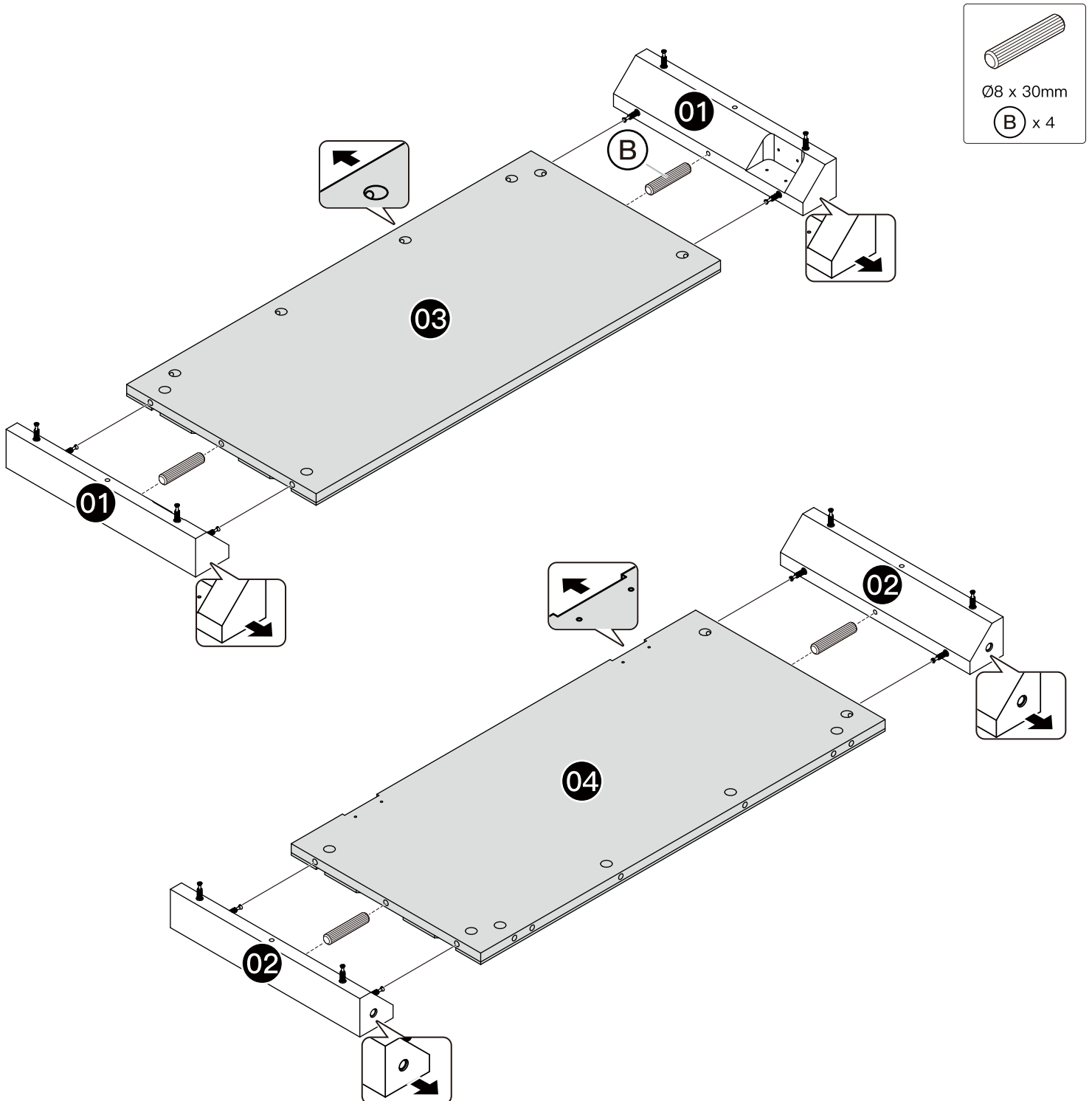
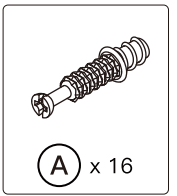
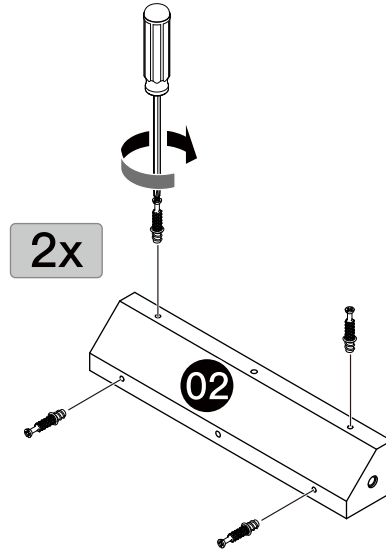
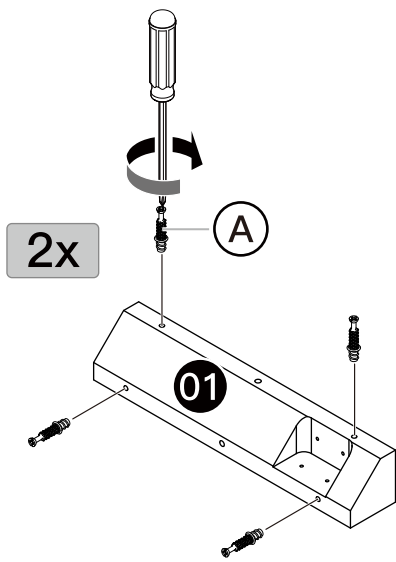
Cabinet Silencer

(P) x 1

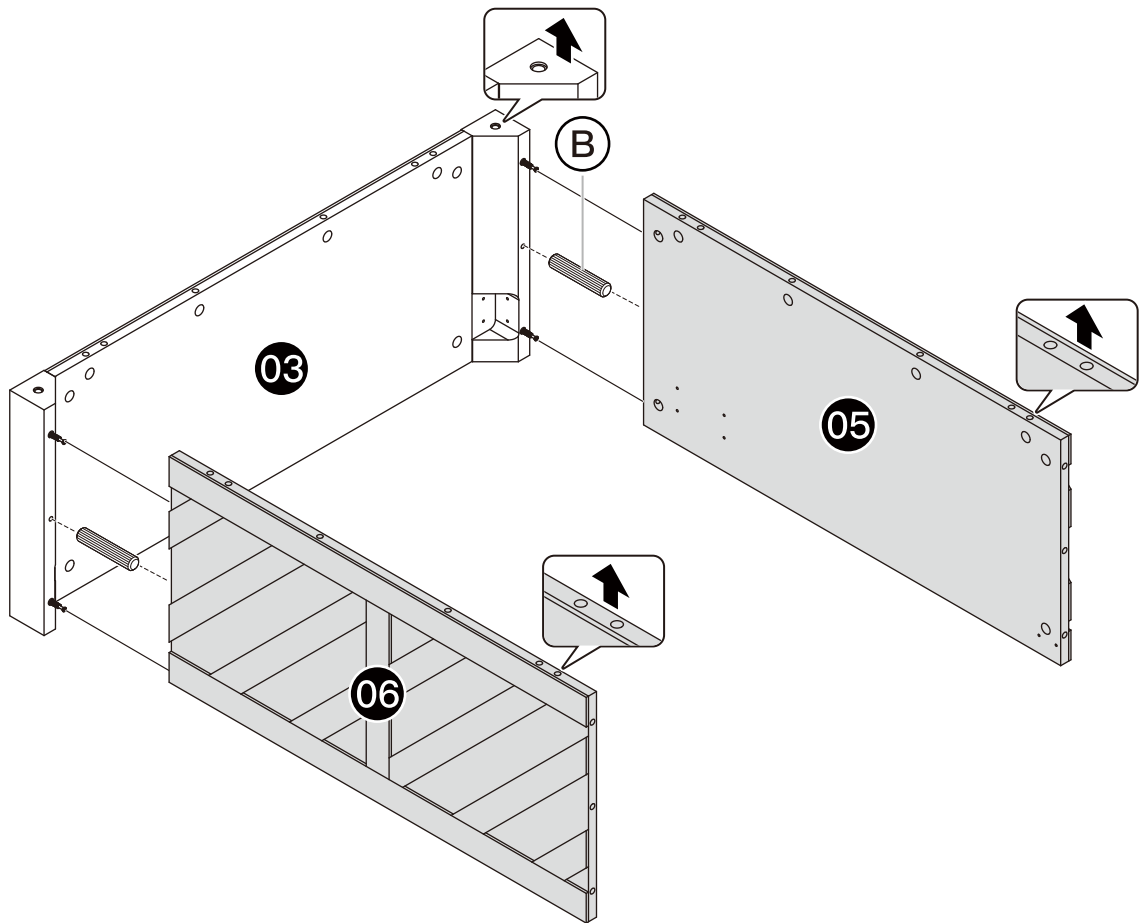


5/32" (4mm)  
Allen Key

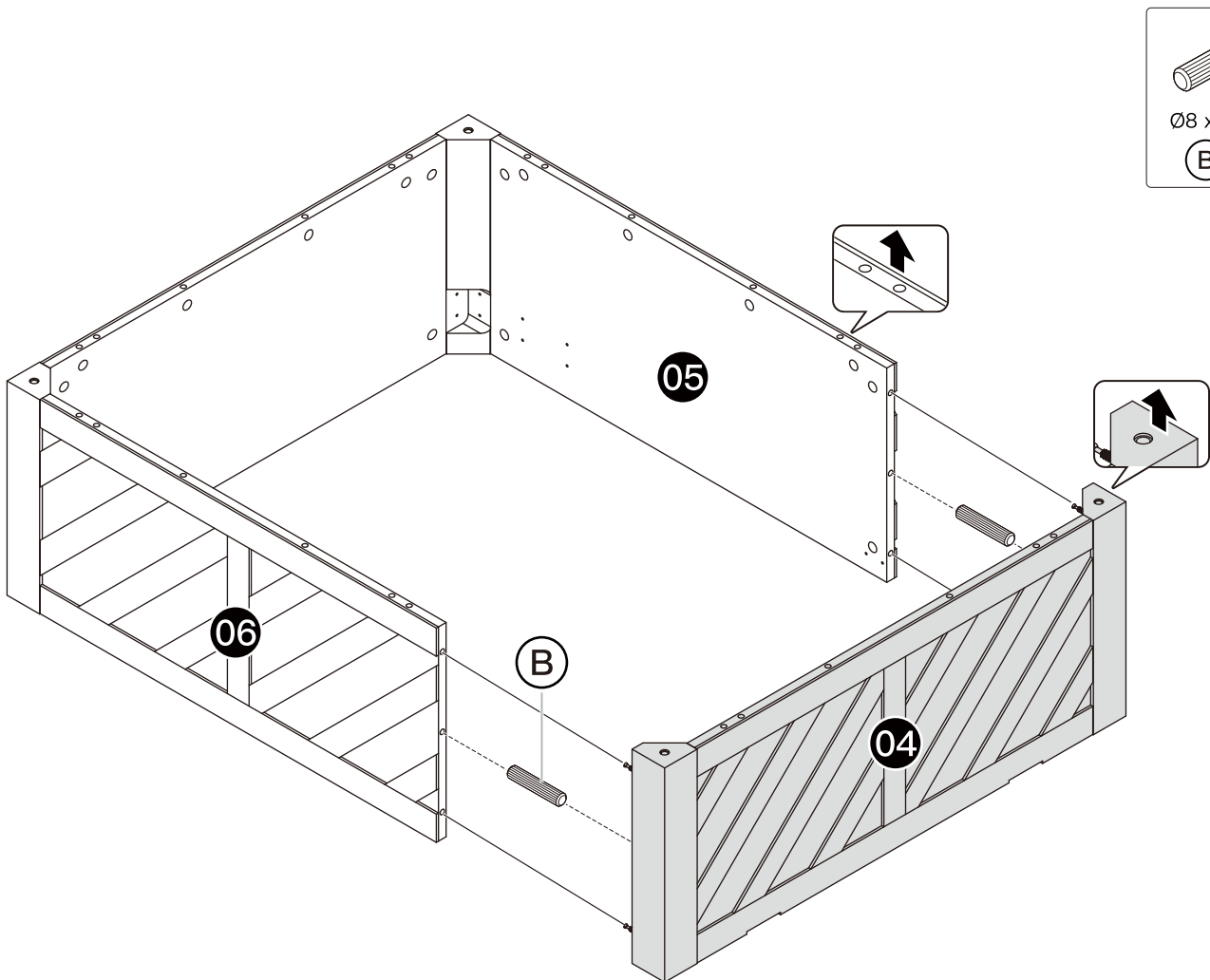
1



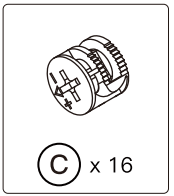
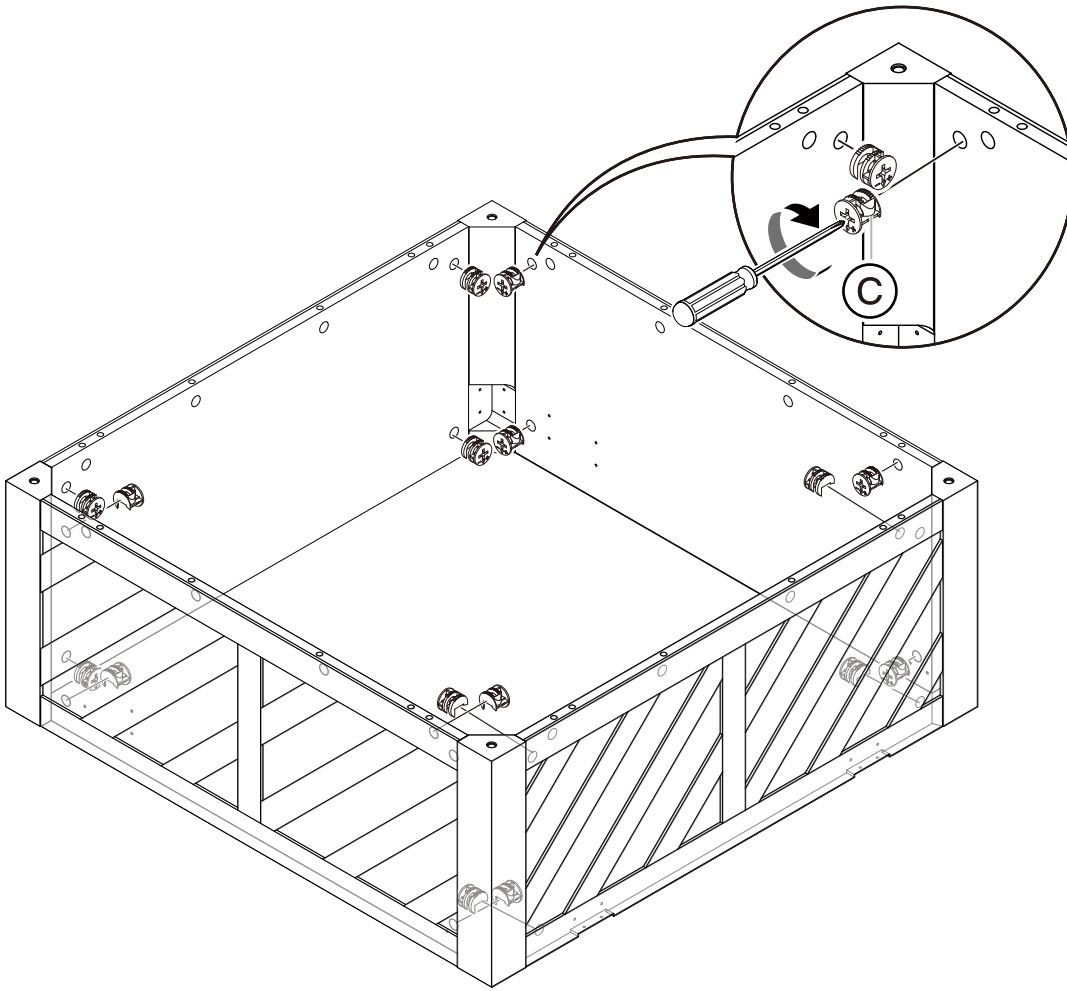
2



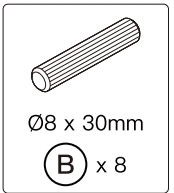
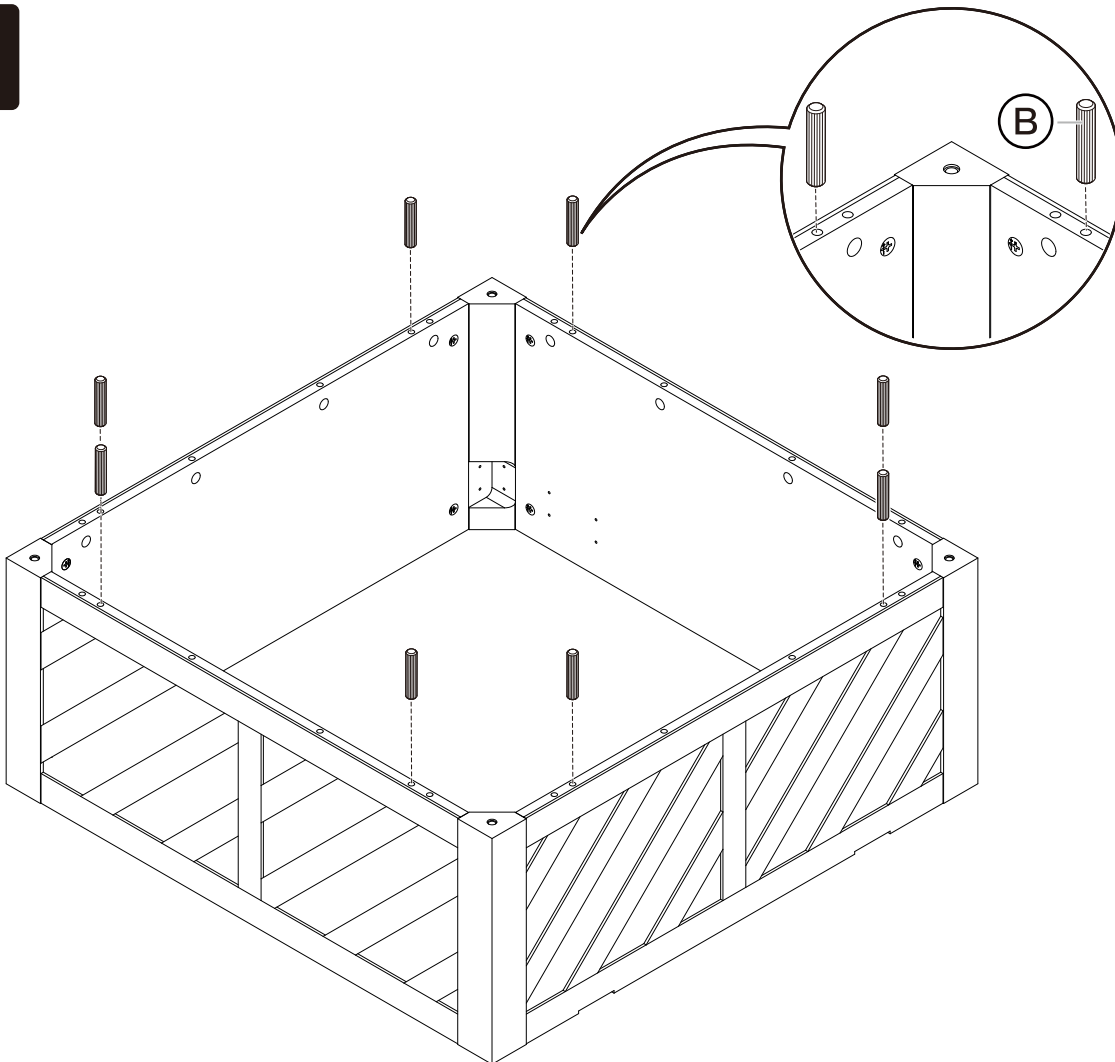
$\text{Ø}8 \times 30\text{mm}$   
B x 2

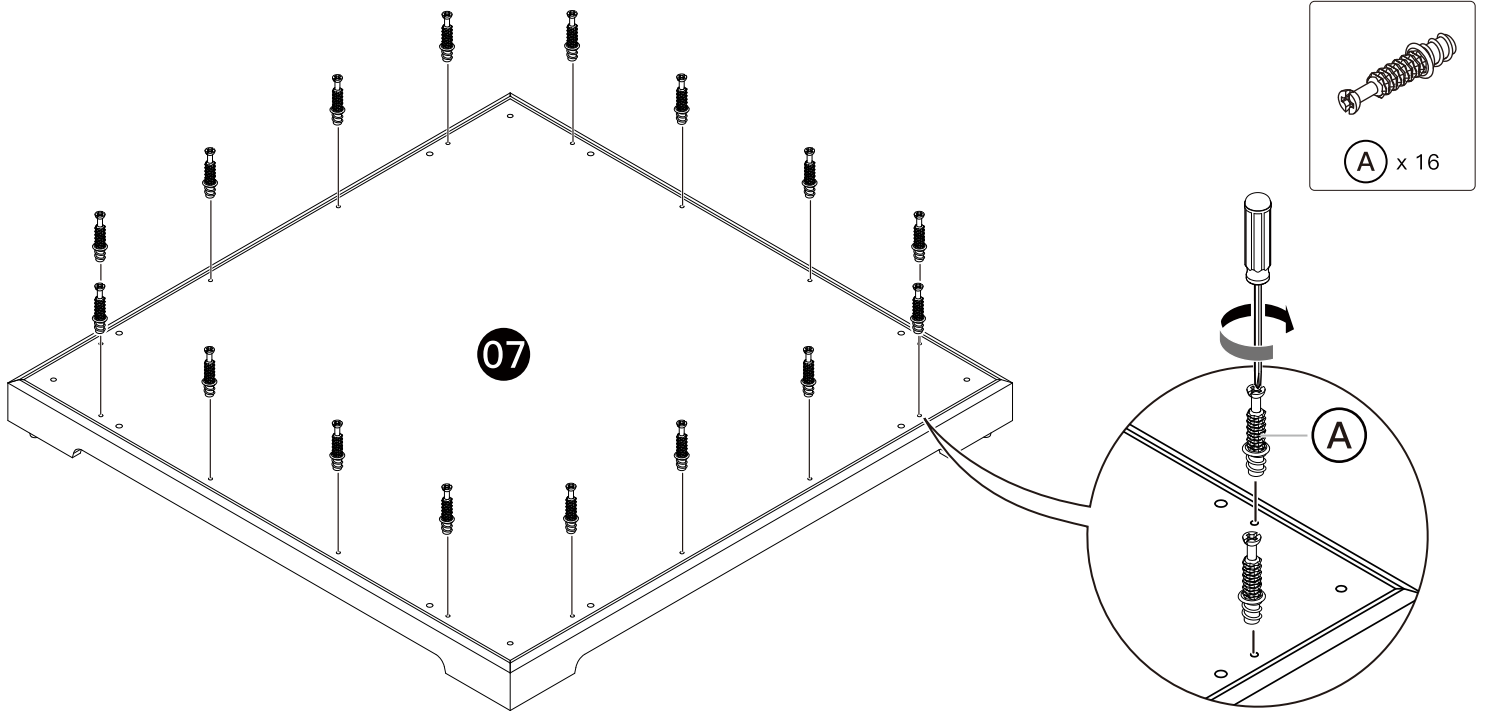



$\text{Ø}8 \times 30\text{mm}$   
B x 2




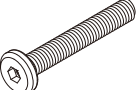


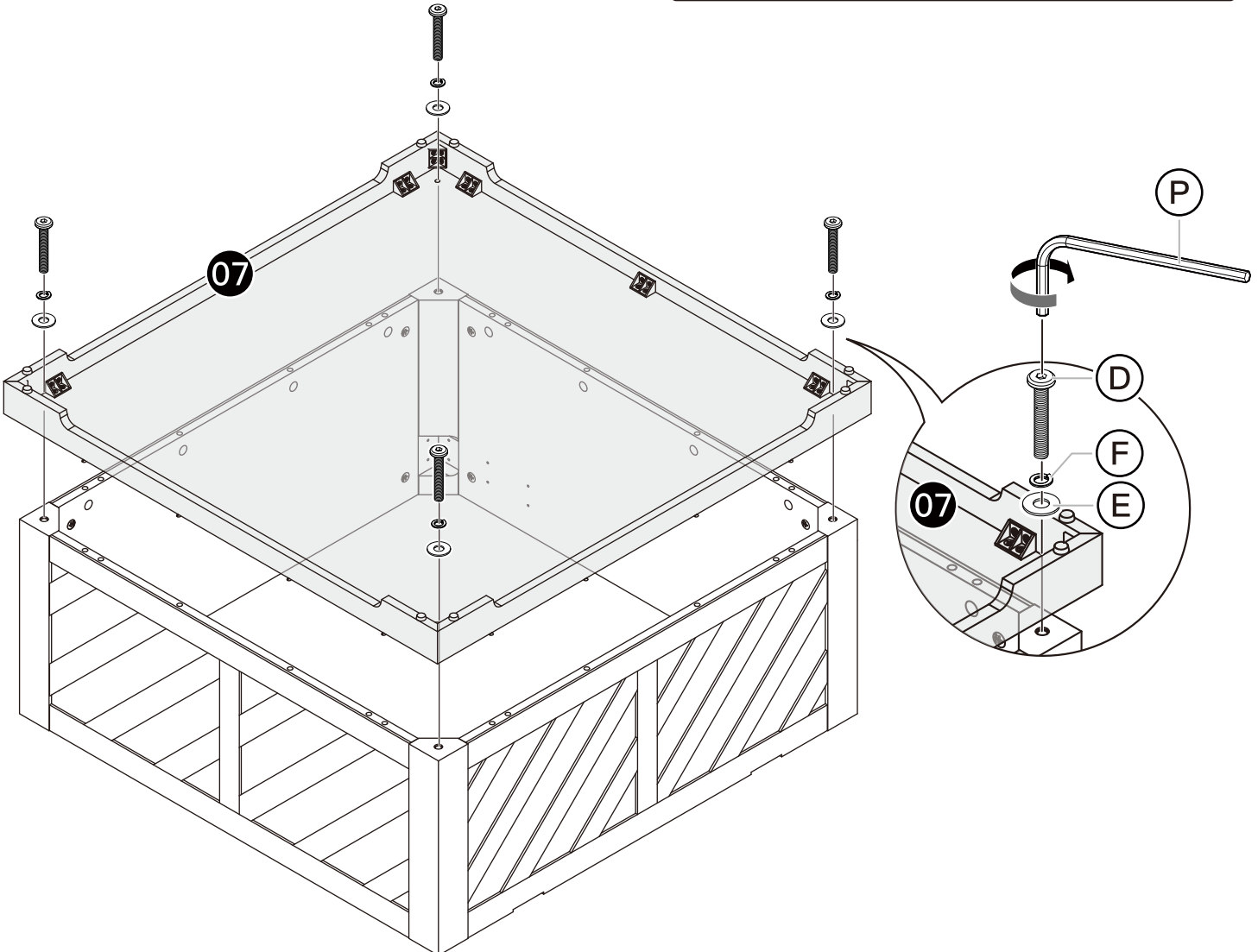
**3**

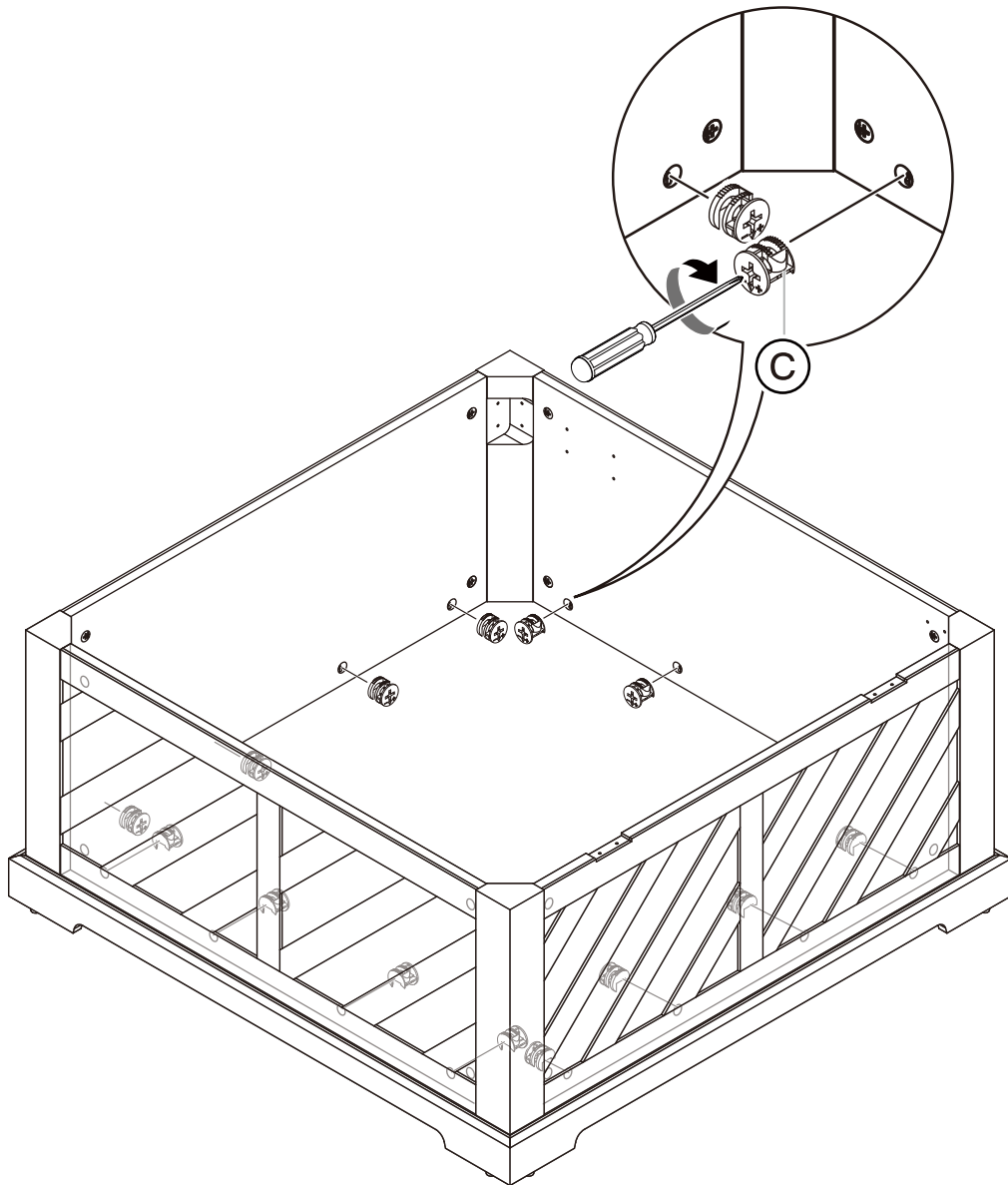
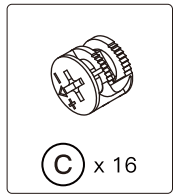
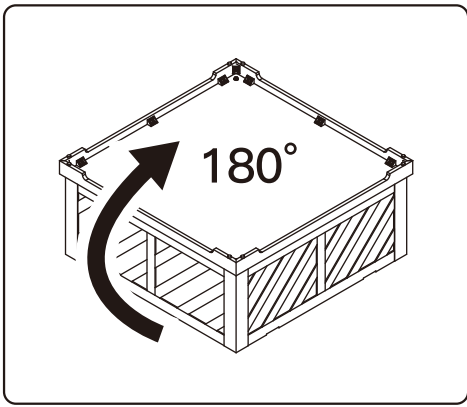






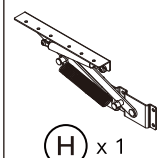
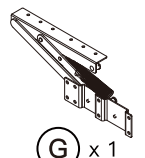
 You may need assistance with this step.

			
5/32" (4mm)	1/4" x 1.5mm	Ø16 x 1/4" x 1mm	M6 x 40mm
(P) x 1	(F) x 4	(E) x 4	(D) x 4



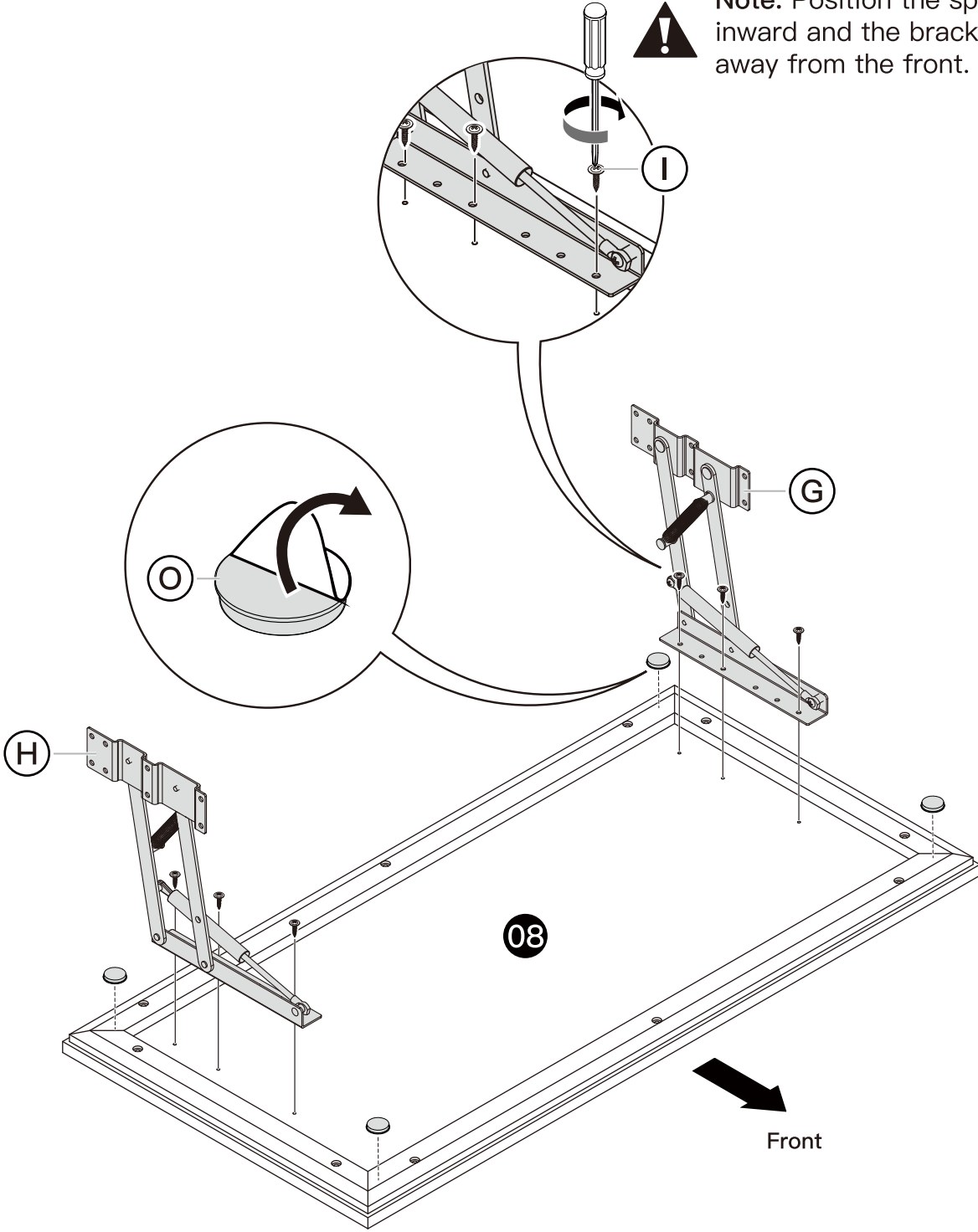



# 4


 O x 4	 Ø7 x 15mm I x 6	 H x 1	 G x 1
--	---	---	---

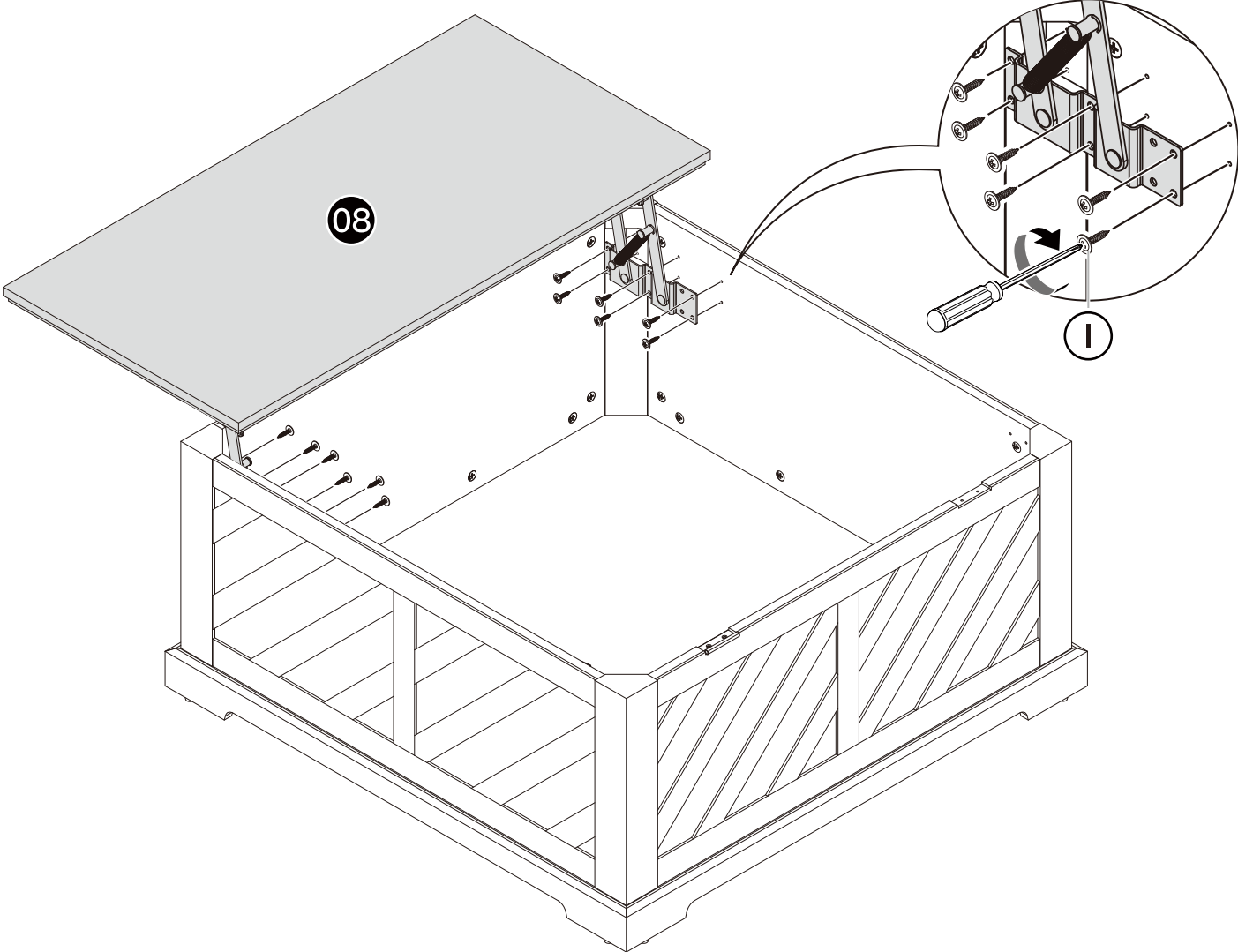



**Note:** Position the springs facing inward and the brackets angled away from the front.


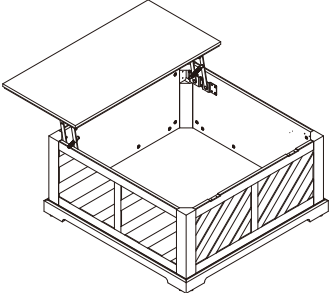

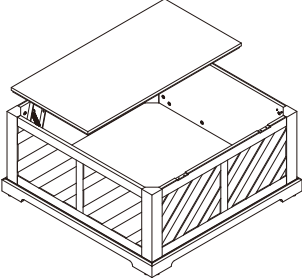
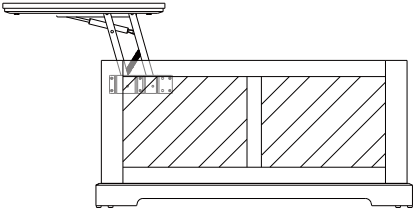
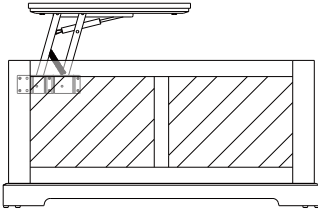


 You may need assistance with this step.




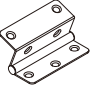
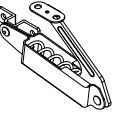
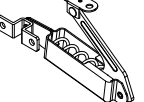
  
Ø7 x 15mm  
① x 12



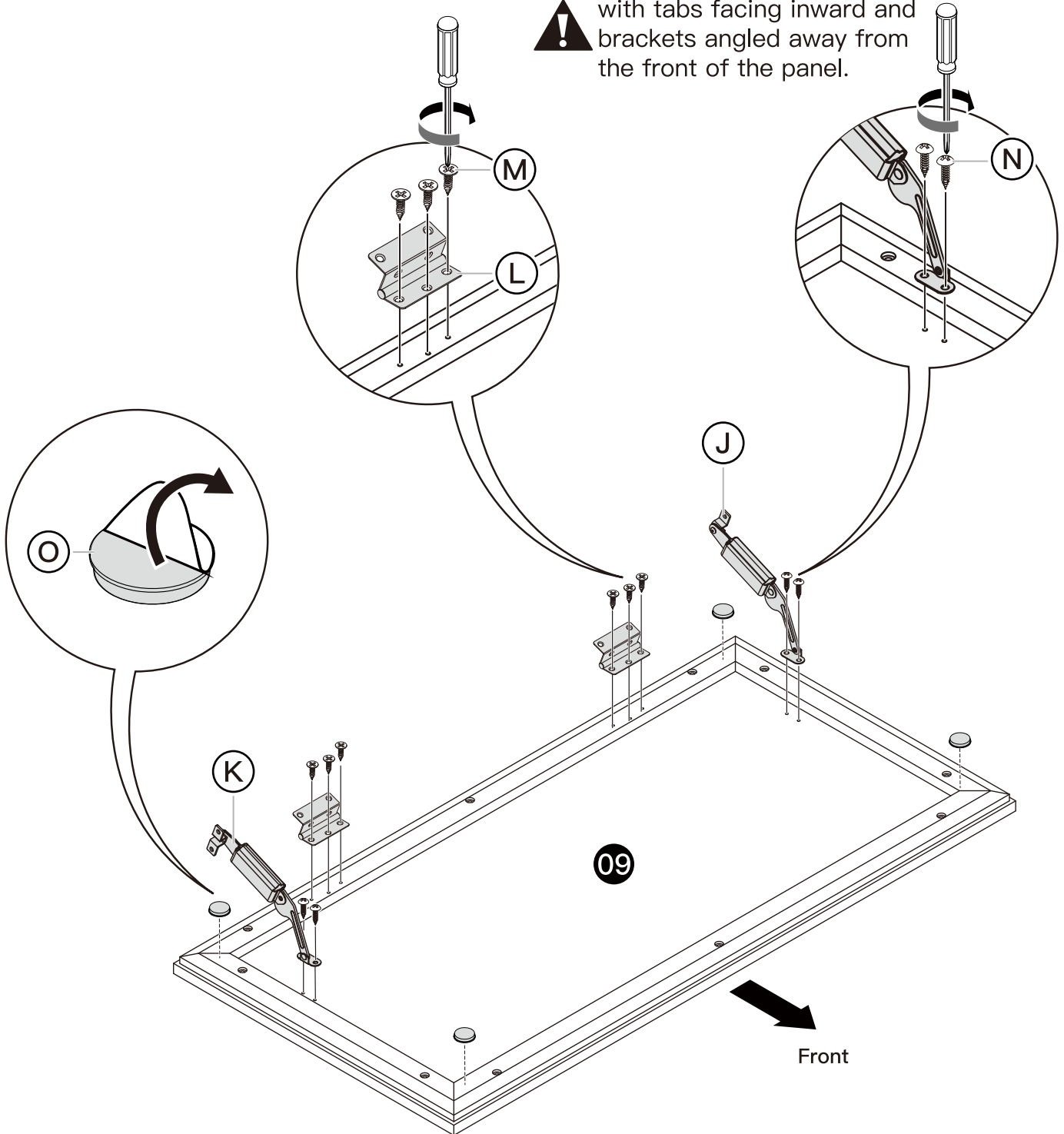
 **Note:** The top panel should open away from the table. Please refer to the correct configuration on the left below.


 	 
	



# 5

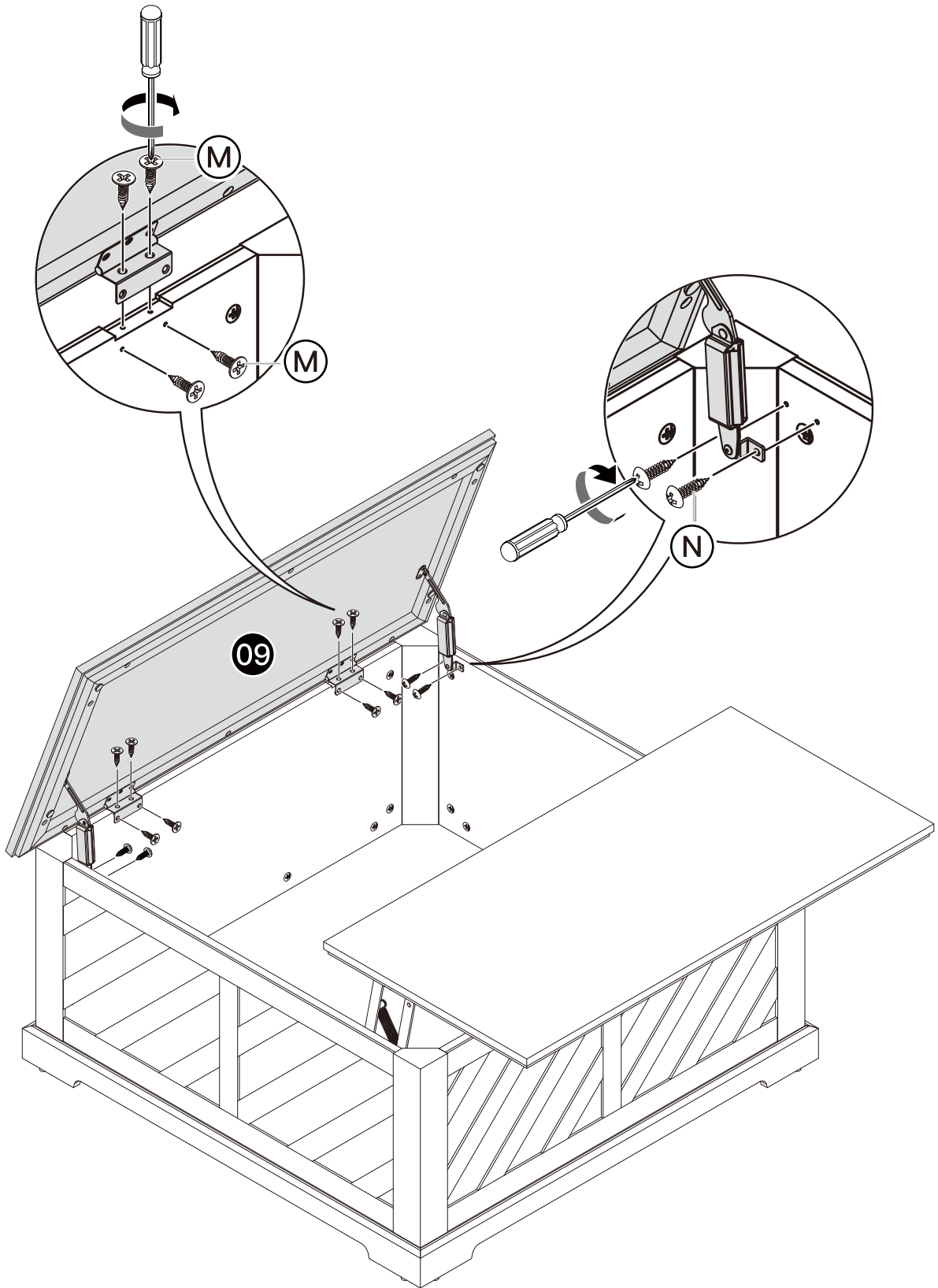
					
Ø x 4	Ø7 x 12mm N x 4	Ø7 x 12mm M x 6	L x 2	K x 1	J x 1

**Note:** Position the flip arms with tabs facing inward and brackets angled away from the front of the panel.



 You may need assistance with this step.

 Ø7 x 12mm <b>(N)</b> x 4	 Ø7 x 12mm <b>(M)</b> x 8
--	--



**Finished**

