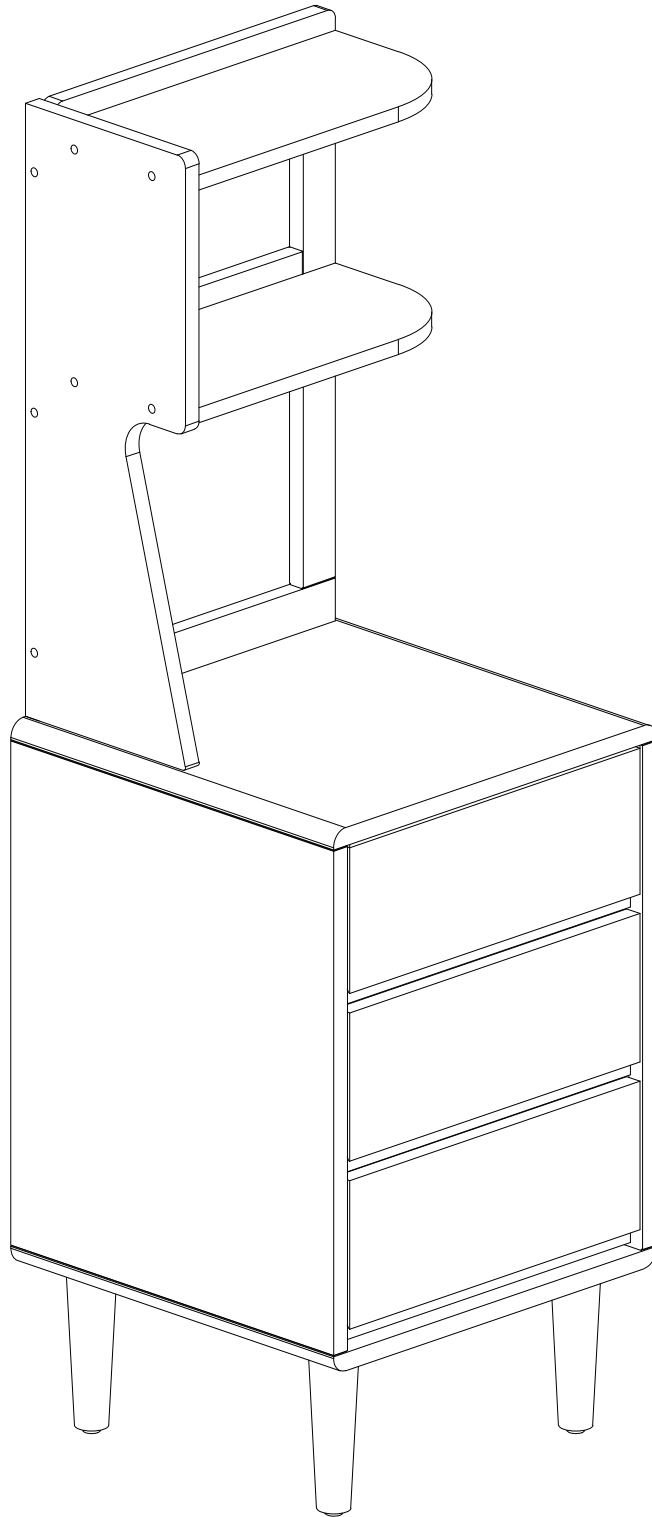


CTG066



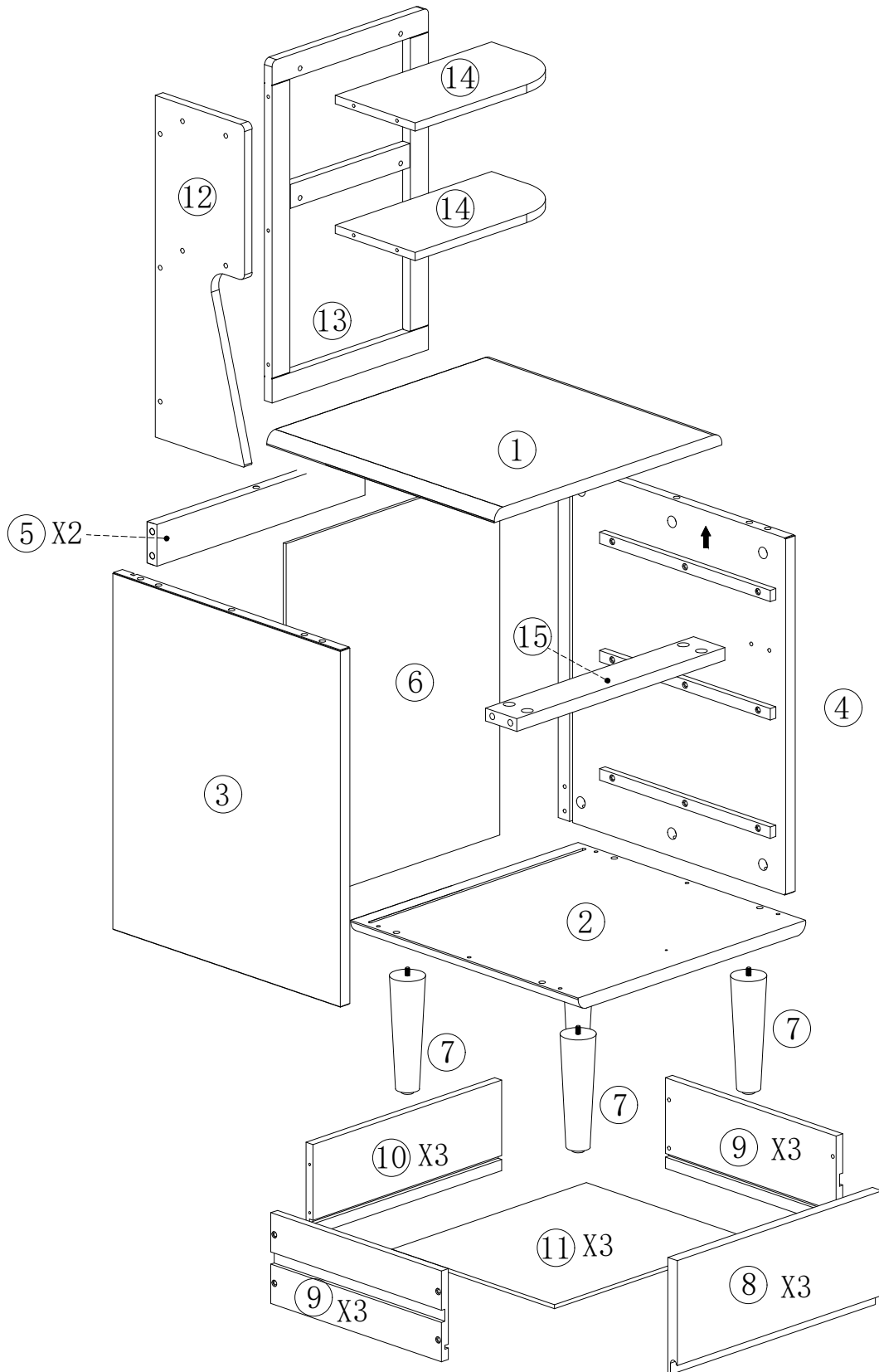
Installation Diagram

NO

CTG066

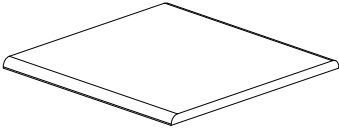
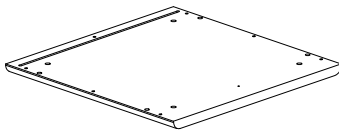
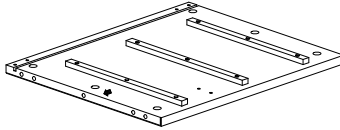
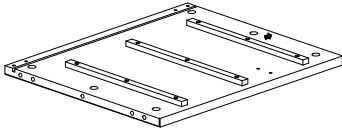
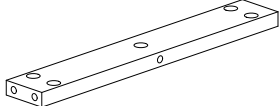
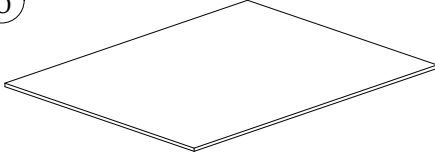

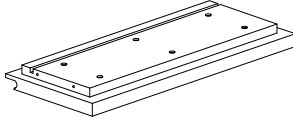
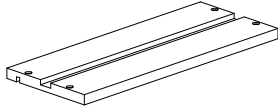
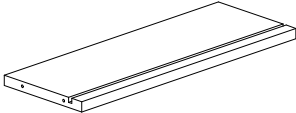
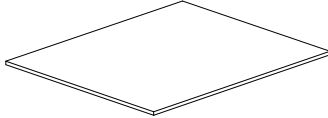
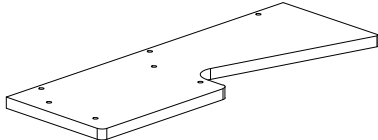
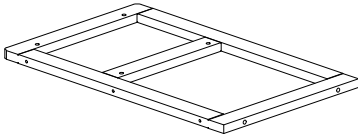
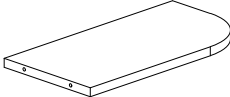
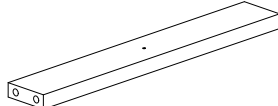
NAME

Nightstand with 3 drawers



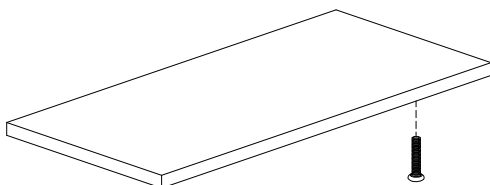
Specification name: three drawers nightstand

Parts List

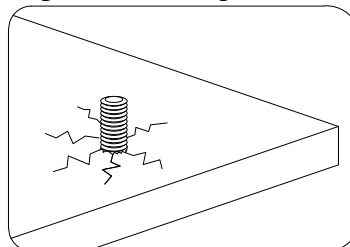
<p>①</p>  <p>400*400*17MM 1PC</p>	<p>②</p>  <p>400*400*17MM 1PC</p>	<p>③</p>  <p>472.5*400*27MM 1PC</p>
<p>④</p>  <p>472.5*400*27MM 1PC</p>	<p>⑤</p>  <p>366*55*17MM 2PCS</p>	<p>⑥</p>  <p>482*376*5MM 1PC</p>
<p>⑦</p>  <p>150*Ø45MM 4PCS</p>	<p>⑧</p>  <p>360*153.5*29MM 3PCS</p>	<p>⑨</p>  <p>300*120*12MM 6PCS</p>
<p>⑩</p>  <p>332*120*12MM 3PCS</p>	<p>⑪</p>  <p>342*286*5MM 3PCS</p>	<p>⑫</p>  <p>572*198*17MM 1PC</p>
<p>⑬</p>  <p>572*348*17MM 1PC</p>	<p>⑭</p>  <p>348*178*14MM 2PCS</p>	<p>⑮</p>  <p>366*55*17MM 1PCS</p>

NOTE

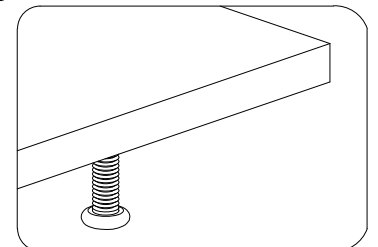
Using the right screws can prevent damage to these components.



Example

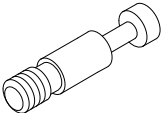


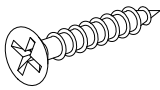
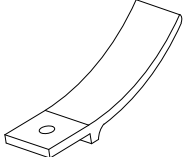
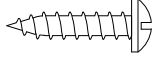
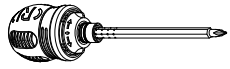
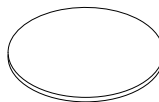
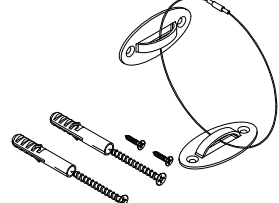
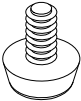
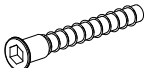

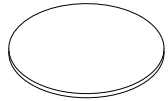


Error: Screws can cause wood to split. Correct: The screws are the correct size

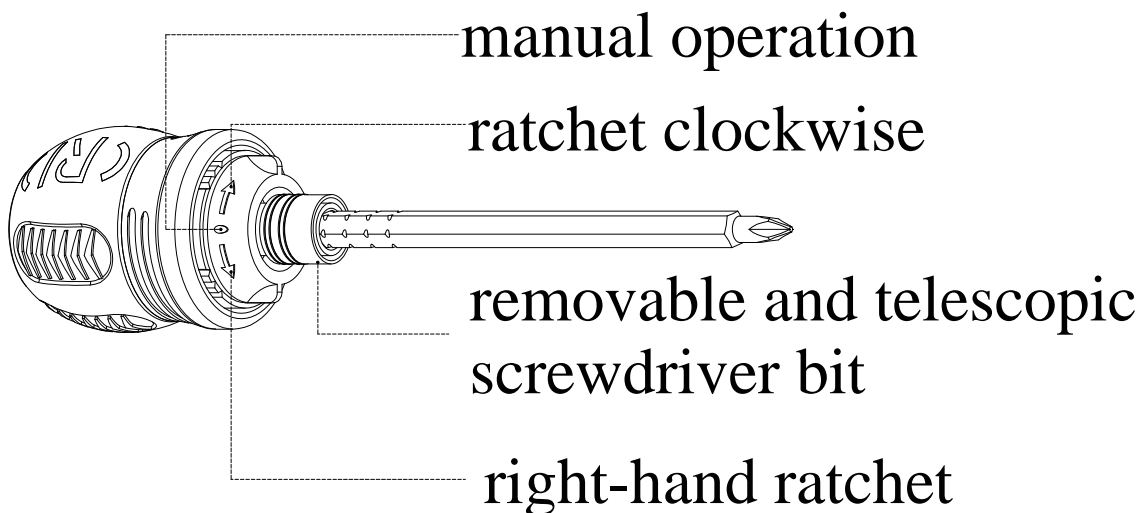


Specification name: three drawers nightstand

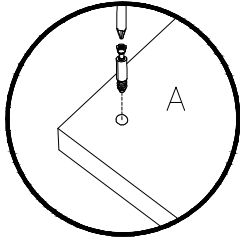
Hardware Table

<p>A</p>  <p>L=40MM 28+2PCS</p>	<p>B</p>  <p>Ø15*9MM 28+2PCS</p>	<p>C</p>  <p>Ø8*30MM 8+1PCS</p>
<p>D</p>  <p>#8*25MM 24+2PCS</p>	<p>E</p>  <p>L=50MM 3PCS</p>	<p>F</p>  <p>#3.5*15MM 3PCS</p>
<p>G</p>  <p>M6*136MM 1PC</p>	<p>H</p>  <p>Ø20MM 12+2PCS</p>	<p>I</p>  <p>1SET</p>
<p>J Installed</p>  <p>M6*Φ19*20MM 4PCS</p>	<p>K</p>  <p>M7*35MM 11+1PCS</p>	<p>L</p>  <p>M4*100MM 1PC</p>
<p>M</p>  <p>Ø15MM 3PCS</p>		

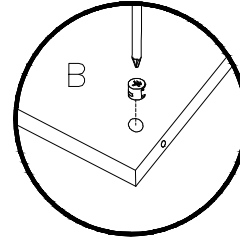
Multi-function Ratchet Screwdriver User Manual



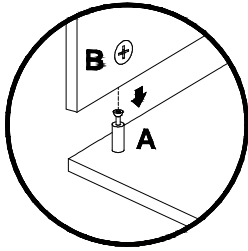
How to use the cam lock system



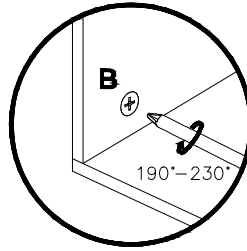
1. Screw cam bolt into panel



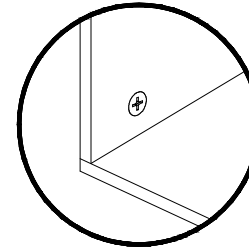
2. Push cam into panel - arrow feature on cam top points to panel edge



3. Align cam bolt(s) with cam(s) and insert all the way into cross-bored hole(s)

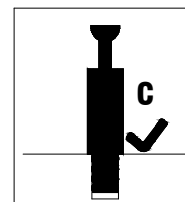
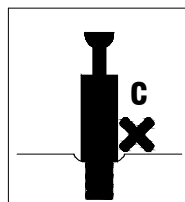
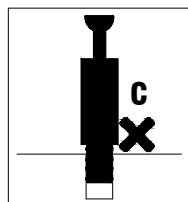
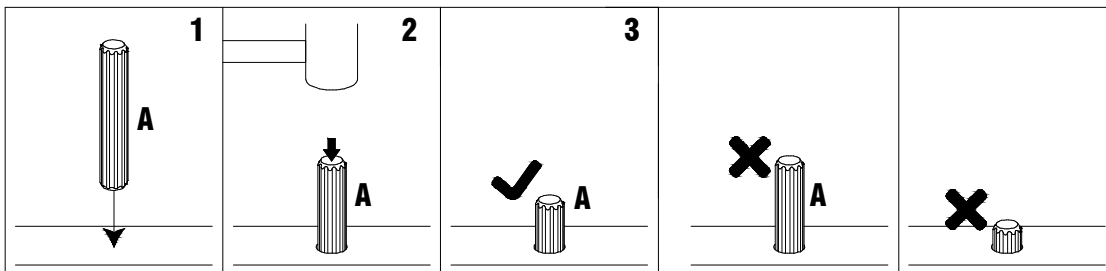


4. Rotate cam(s) clockwise 190°-230° to lock panels together



5. Panels should be tight against each other and connection should be rigid

Insert the wood dowel (A) at least half way by tapping lightly with a rubber mallet, IF NECESSARY

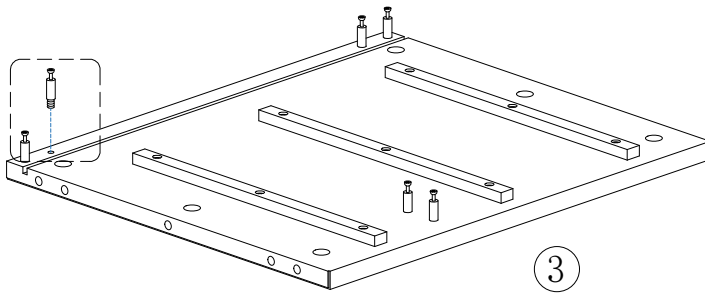


⚠ WARNING

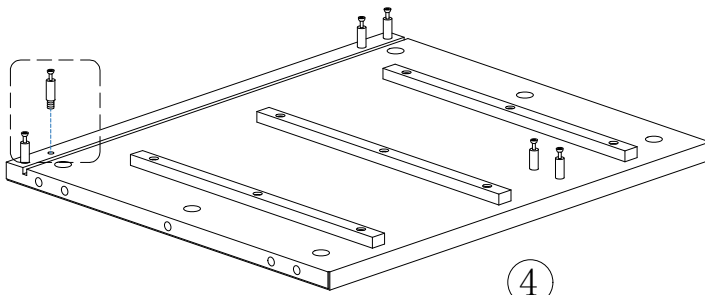
- Unit must be placed on a level surface or leveled with included hardware (when applicable).
- Do not sit or stand on or allow children to climb, sit or stand on the assembled product.
- For safety reasons, it is imperative that this unit be mounted to the wall.
- Do not use without installing the tip restraint.
- Unit can tip over causing severe injury or death.
- Do not exceed the recommended weight limits.
- Evenly distribute the weight on each level and always keep the heavier loads on the bottom.
- Before cutting, drilling or hammering into any wall or floor surface, verify the location of electrical, plumbing and gas lines. Cutting may cause serious injury.

Specification name: three drawers nightstand

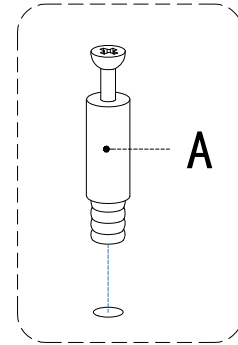
Step 1



3

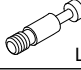



4

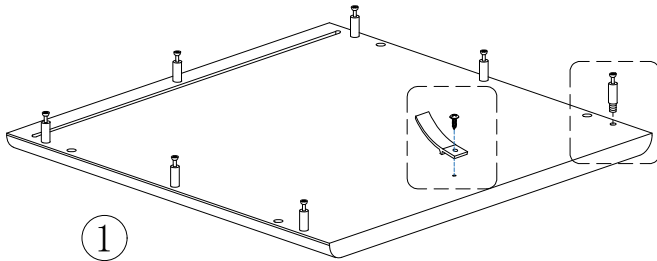


A

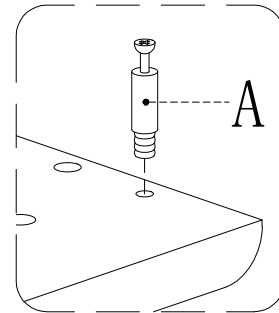
As shown, hardware A is secured to part 3/4 with tool G

A	 L=40MM	12PCS
G	 M6*128MM	1PC

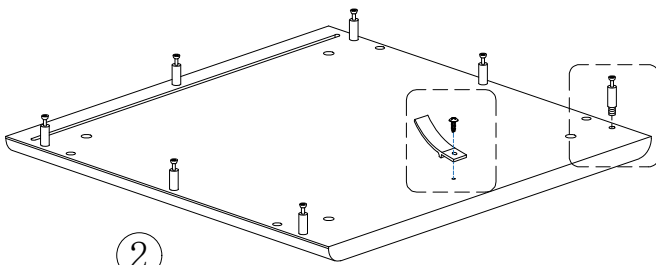
Step 2



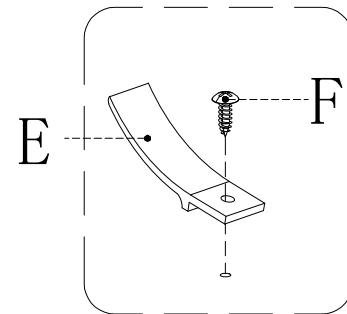
1



A

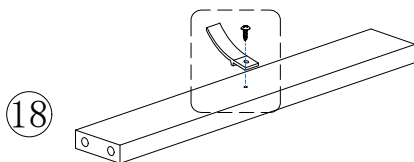


2

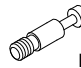

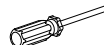



E

F

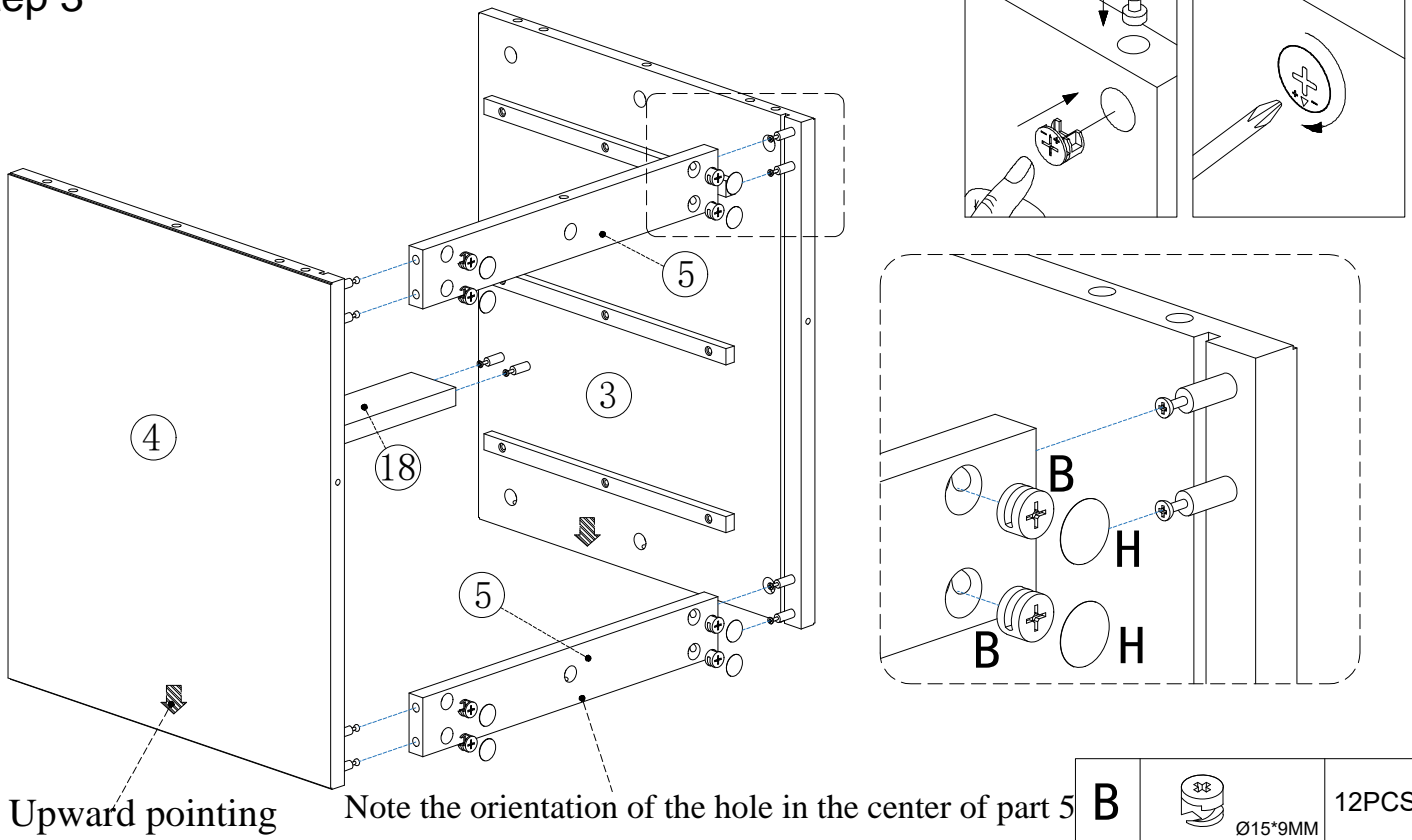


18


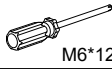

A	 L=40MM	14PCS	E	 L=50MM	3PCS
G	 M6*128MM	1PC	F	 #3.5*15MM	3PCS

Specification name: three drawers nightstand

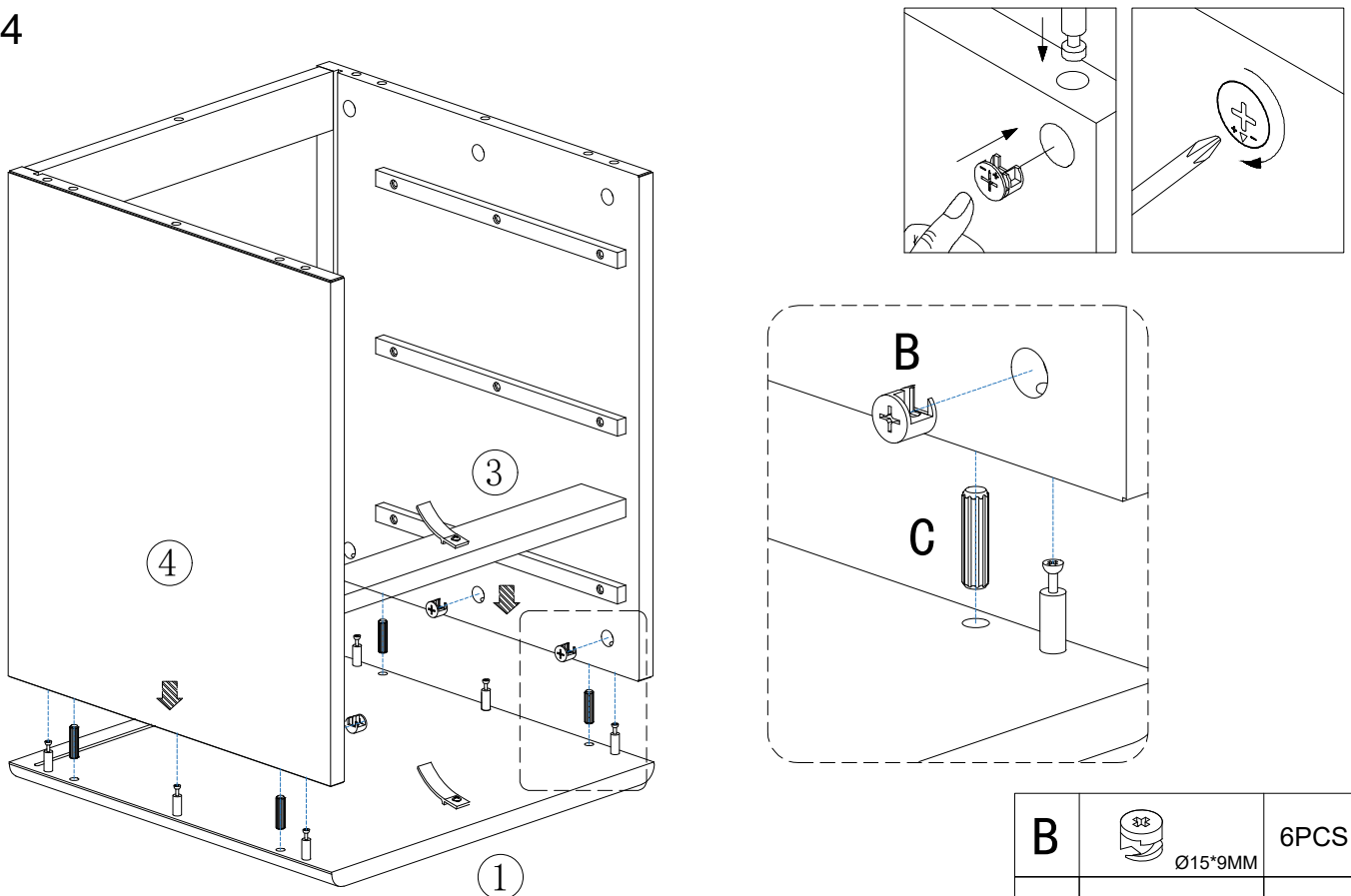
Step 3





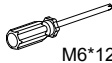
Attach parts 3/4/5/18 together with hardware B/G as shown. Note the orientation of the hole in the center of part 5, and then cover the hole where part 5 is mounted with hardware H.

B	 Ø15*9MM	12PCS
G	 M6*128MM	1PC
H	 Ø20MM	8PCS

Step 4

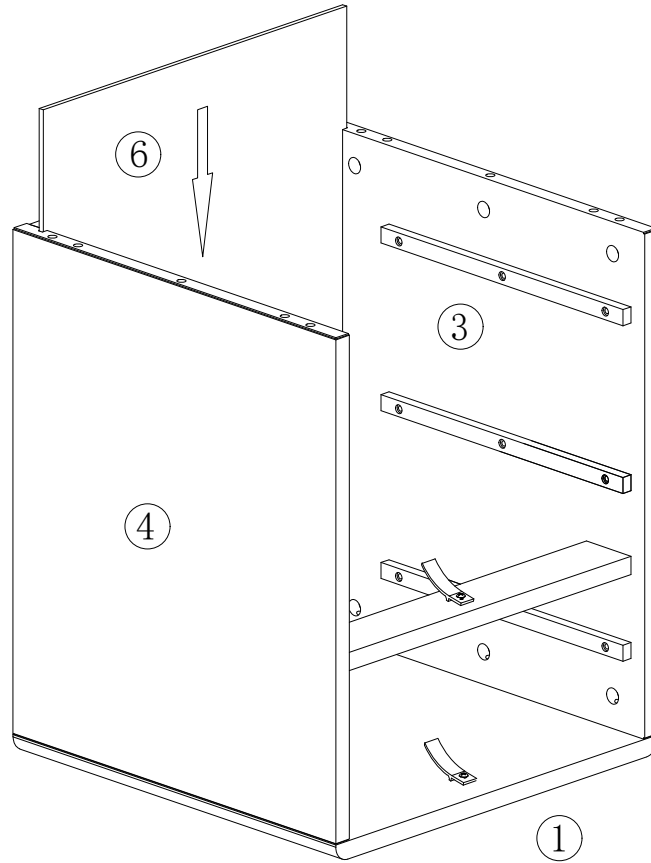


As shown, use hardware B/C/G to connect part 1 to the parts grouped in Step 3.

B	 Ø15*9MM	6PCS
C	 Ø8*30MM	4PCS
G	 M6*128MM	1PC

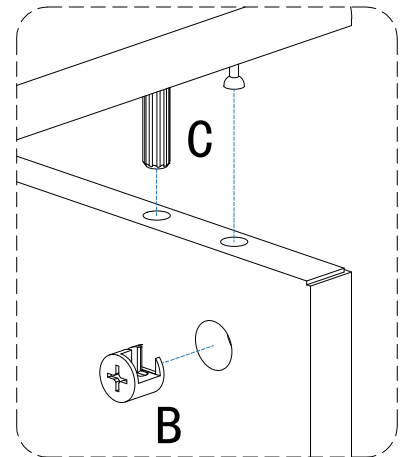
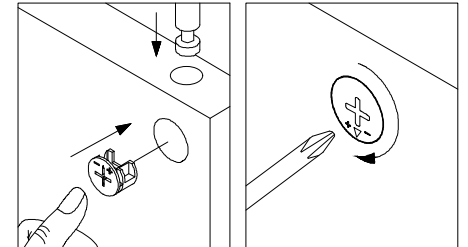
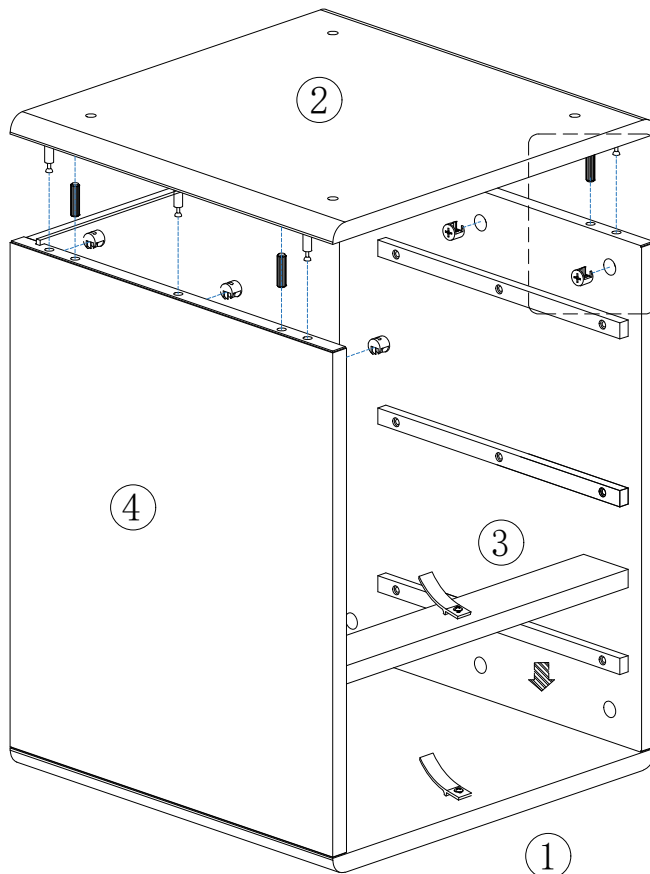
Specification name: three drawers nightstand

Step 5






Insert part 6 into the grouped parts of Step 4 as shown

Step 6

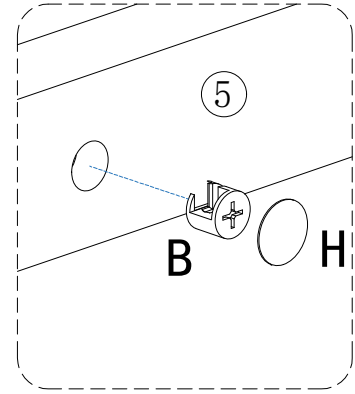
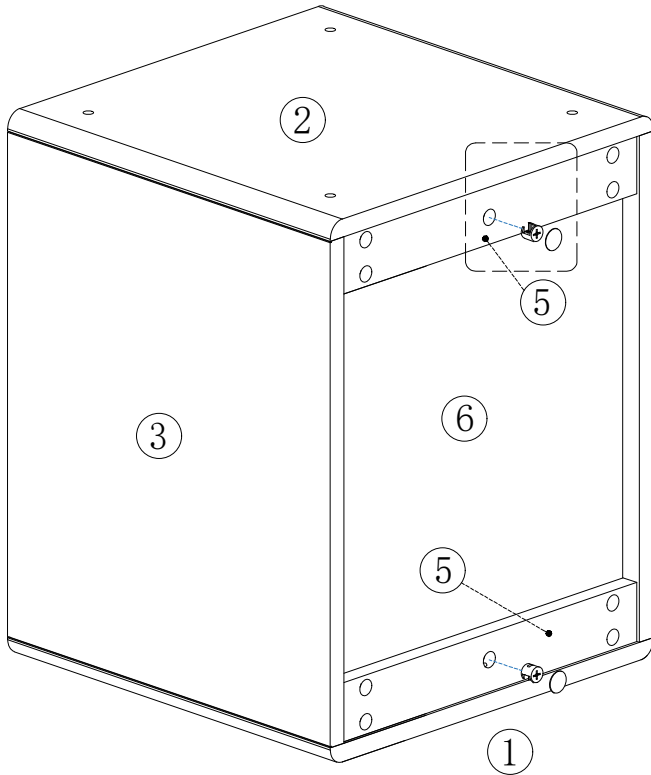


As shown, use hardware B/C/G to attach part 2 to the Step 5 grouped parts.




B	 Ø15*9MM	6PCS
C	 Ø8*30MM	4PCS
G	 M6*128MM	1PC

Specification name: three drawers nightstand

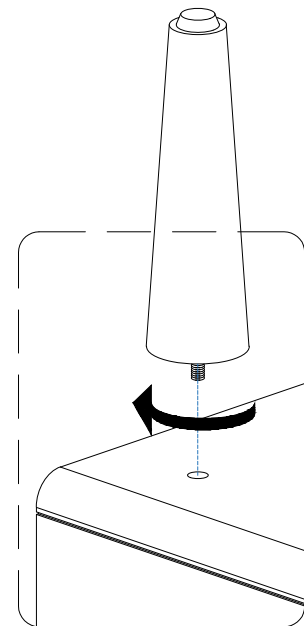
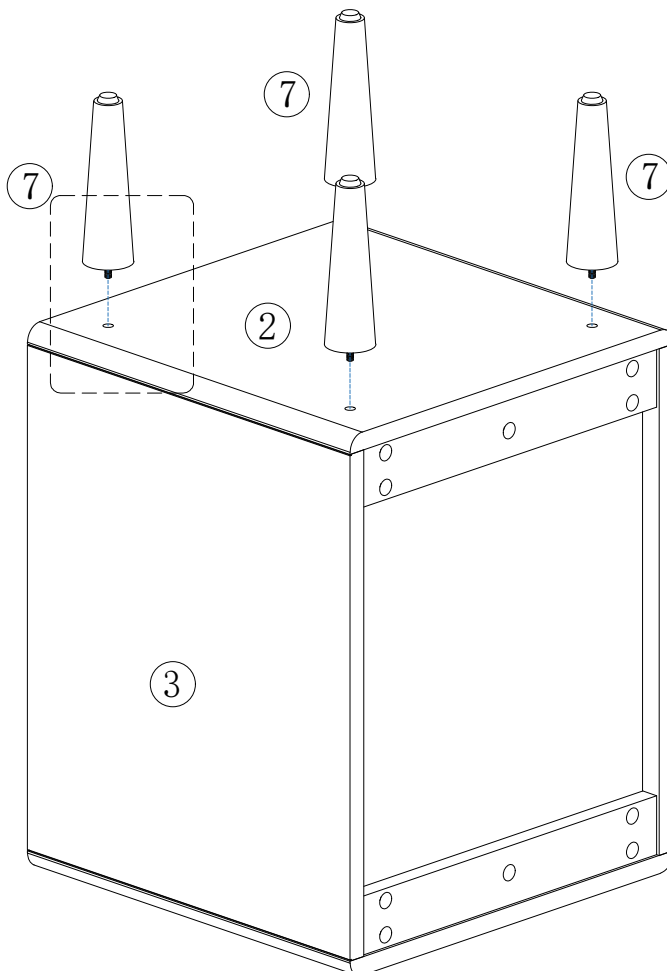
Step 7



Attach parts 1/2/5 parts with hardware B/G and cover with hardware H as shown.

B	 Ø15*9MM	2PCS
G	 M6*128MM	1PC
H	 Ø20MM	2PCS

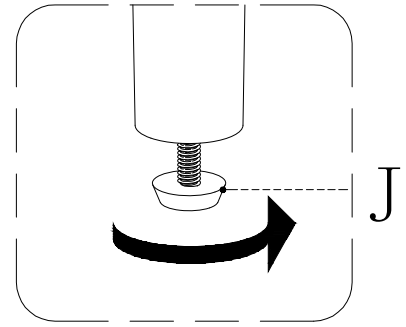
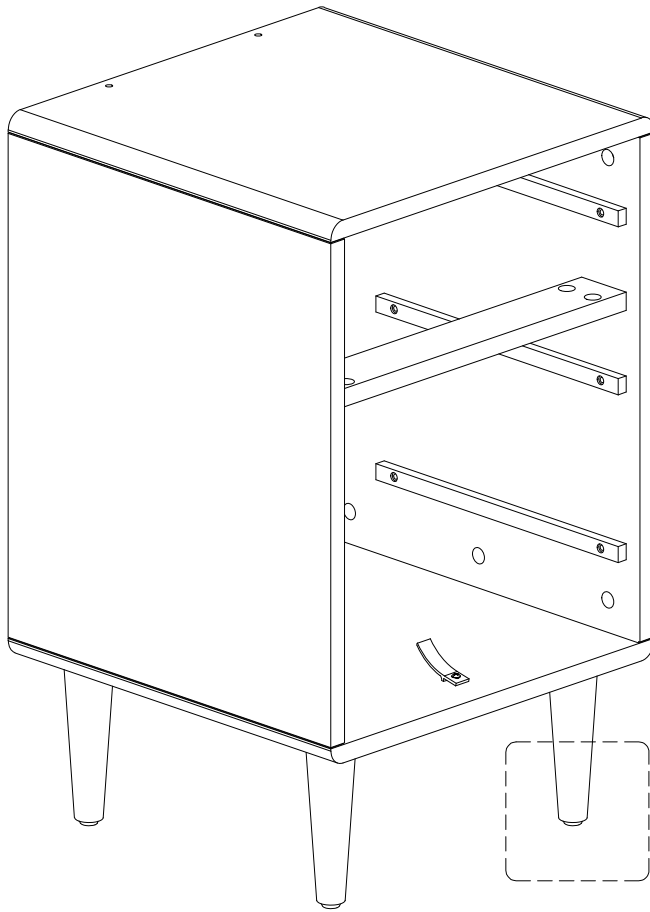
Step 8



Tighten part 7 clockwise onto part 2 as shown.

Specification name: three drawers nightstand

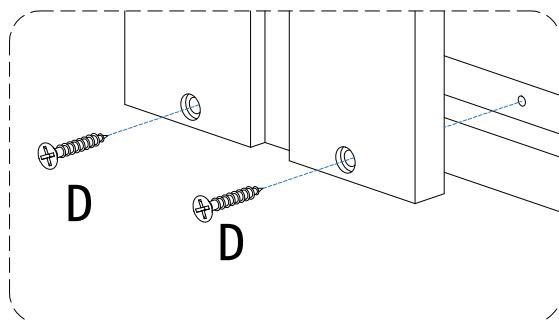
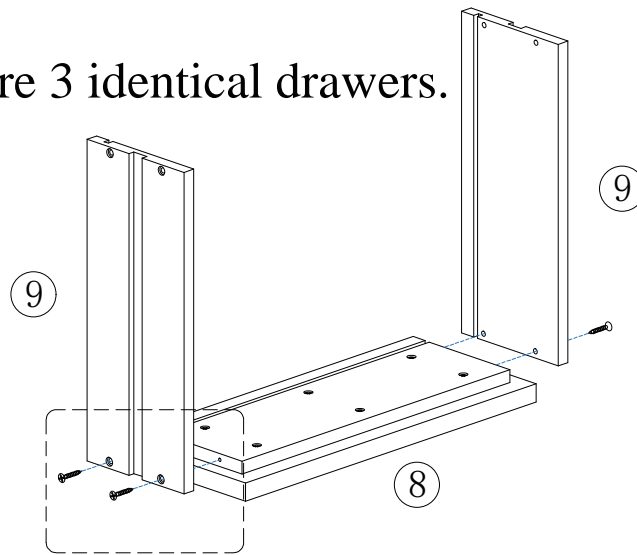
Step 9




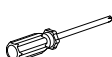
As shown, rotate the appropriate hardware J to adjust the two drawer nightstand to level.

Step 10

▲ Note that there are 3 identical drawers.



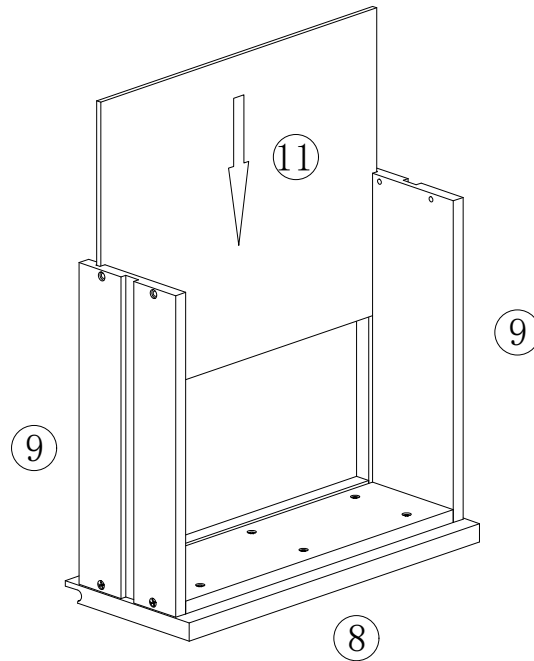
Attach parts 8/9 together with hardware D/G as shown. Note that the same drawer has 3.

D	 #8*25MM	12PCS
G	 M6*128MM	1PC

Specification name: three drawers nightstand

Step 11

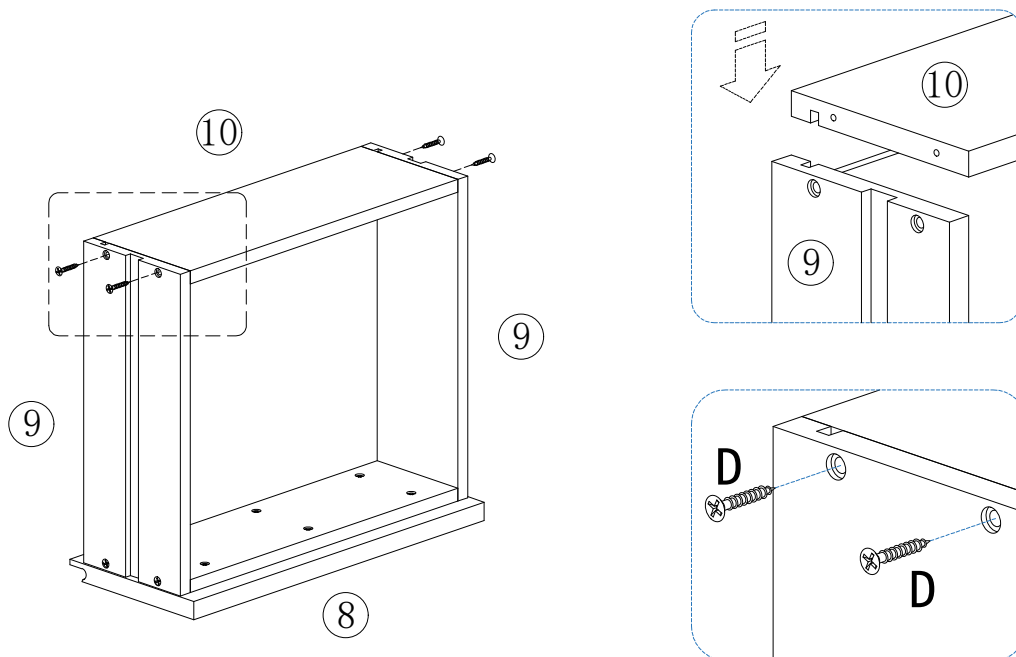
▲ Note that there are 3 identical drawers.




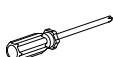
Insert part 11 into Step8 grouped parts as shown. Note that the same drawer has 3.

Step 12

▲ Note that there are 3 identical drawers.

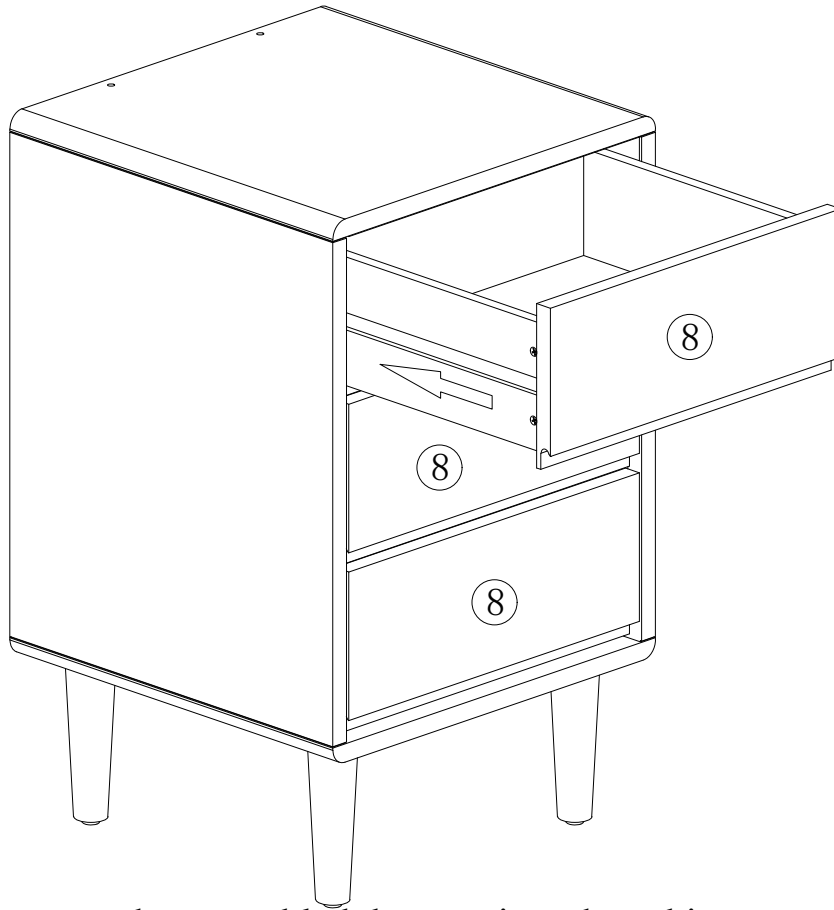


Attach parts 9/10 together with hardware D/G as shown.
Note that the same drawer has 3.

D	 #8*25MM	12PCS
G	 M6*128MM	1PC

Specification name: three drawers nightstand

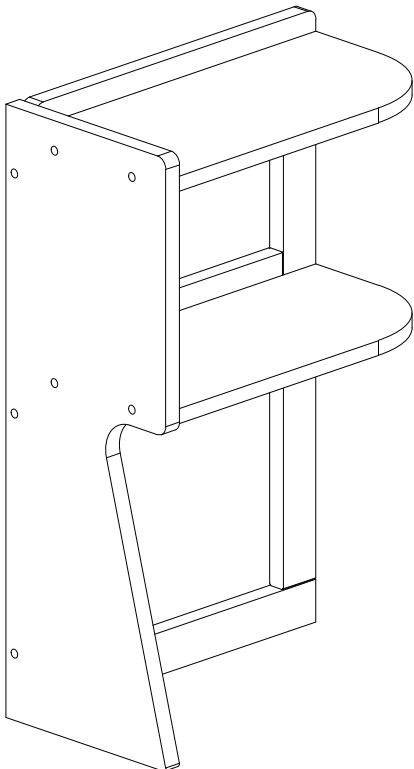
Step 13



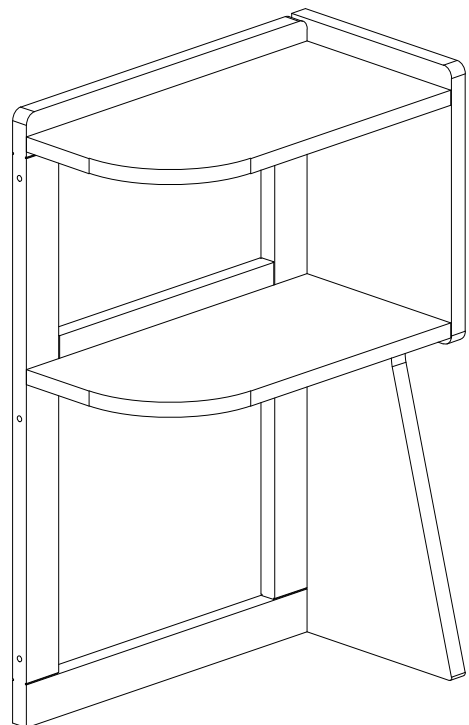
As shown in the picture, put the assembled drawers into the cabinet assembled in Step 9.

Step 14 Please select the appropriate mounting method according to your needs:

Installation Method One:



Installation Method Two:



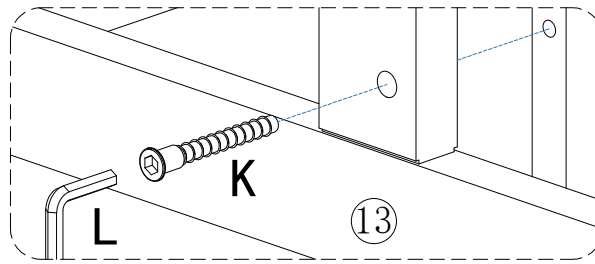
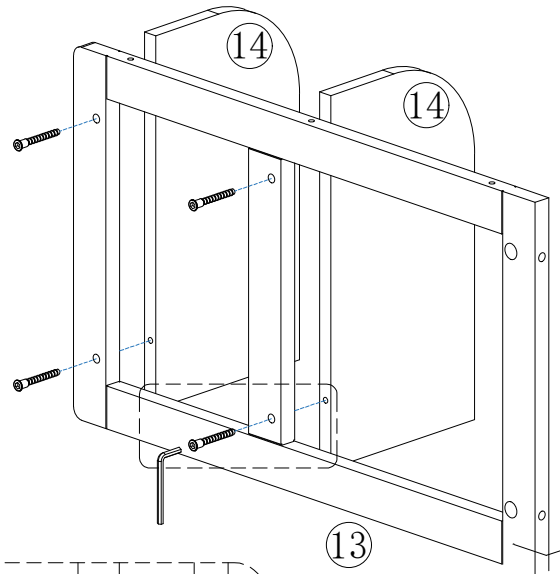
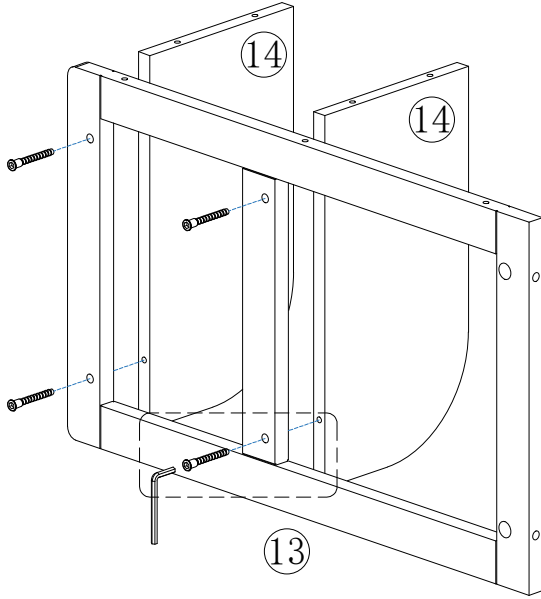
Specification name: three drawers nightstand



Step 15

Please select the appropriate mounting method according to your needs:

Installation Method One:

Installation Method Two:



K	 M7*35MM	4PCS
L	 M4*100MM	1PC

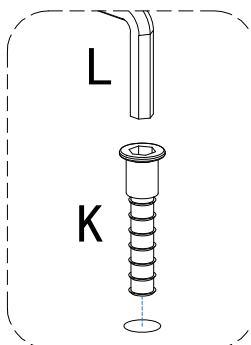
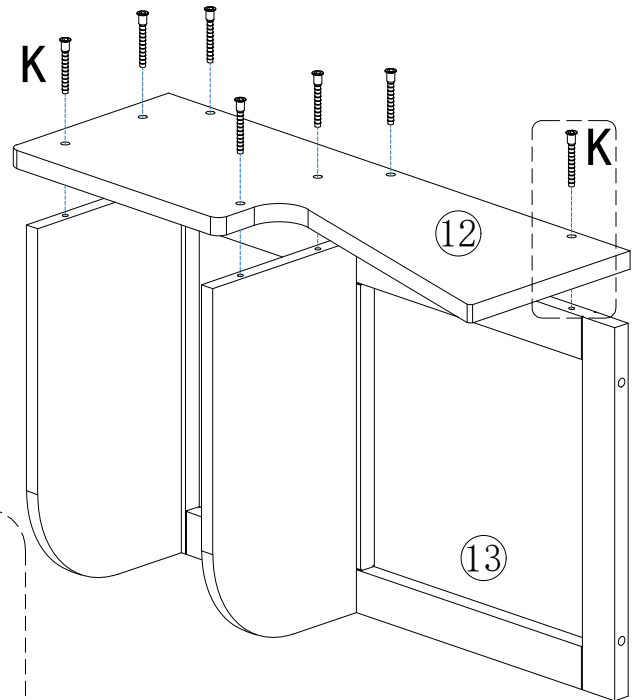
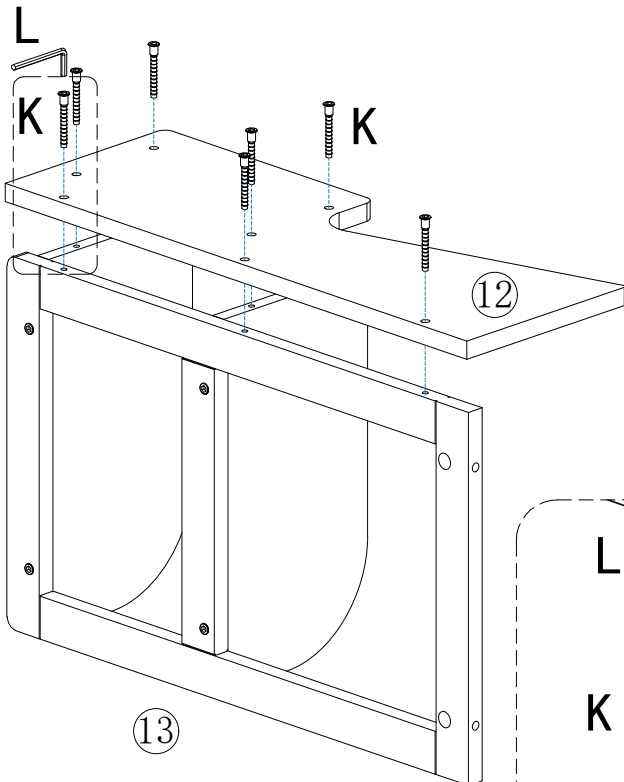
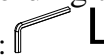
Assemble parts 13/14 with hardware K/L as shown


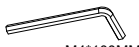
Step 16

Please select the appropriate mounting method according to your needs:

Installation Method One:

Installation Method Two:

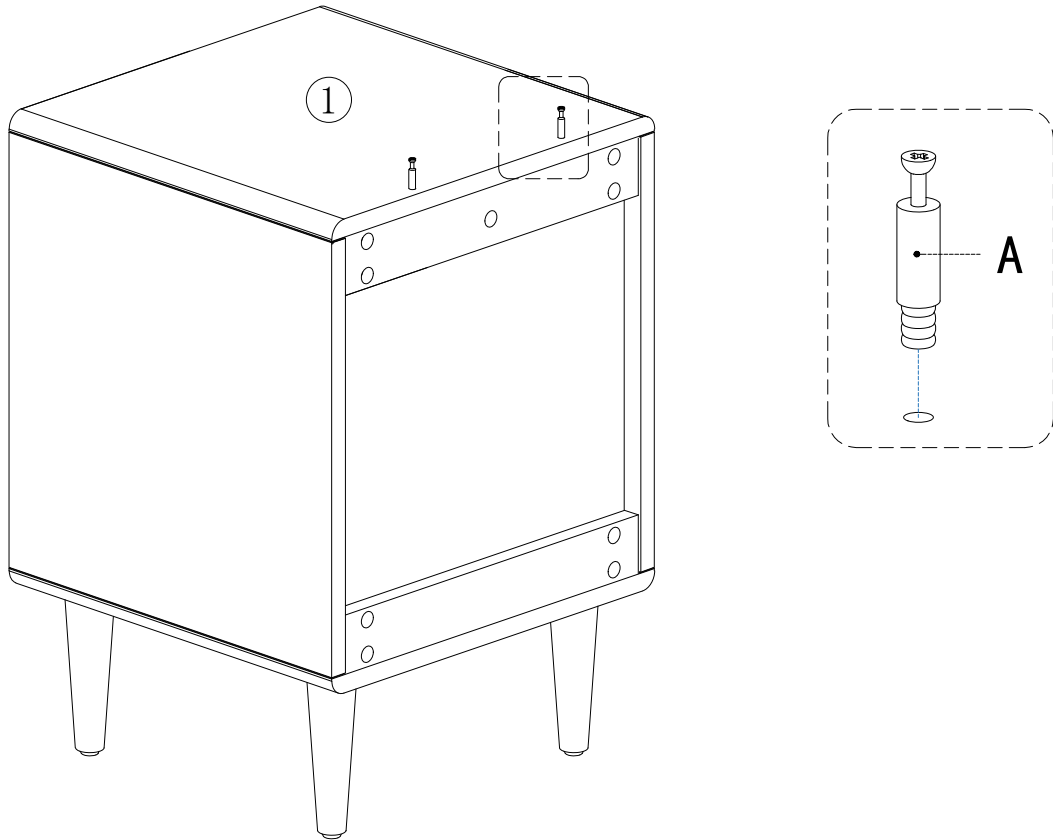


K	 M7*35MM	7PCS
L	 M4*100MM	1PC



As shown, assemble the Step 15 grouped parts with the #12 parts using the hardware K/L.

Specification name: three drawers nightstand

Step 17



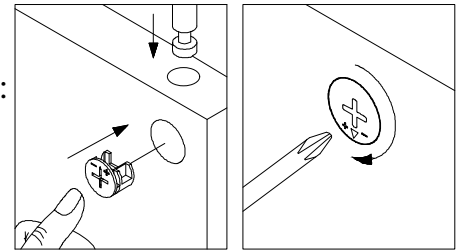
As shown in the figure, assemble the hardware A with tools in the position shown in Step 13 assembled parts.

A	 L=40MM	2PCS
G	 M6*136MM	1PC

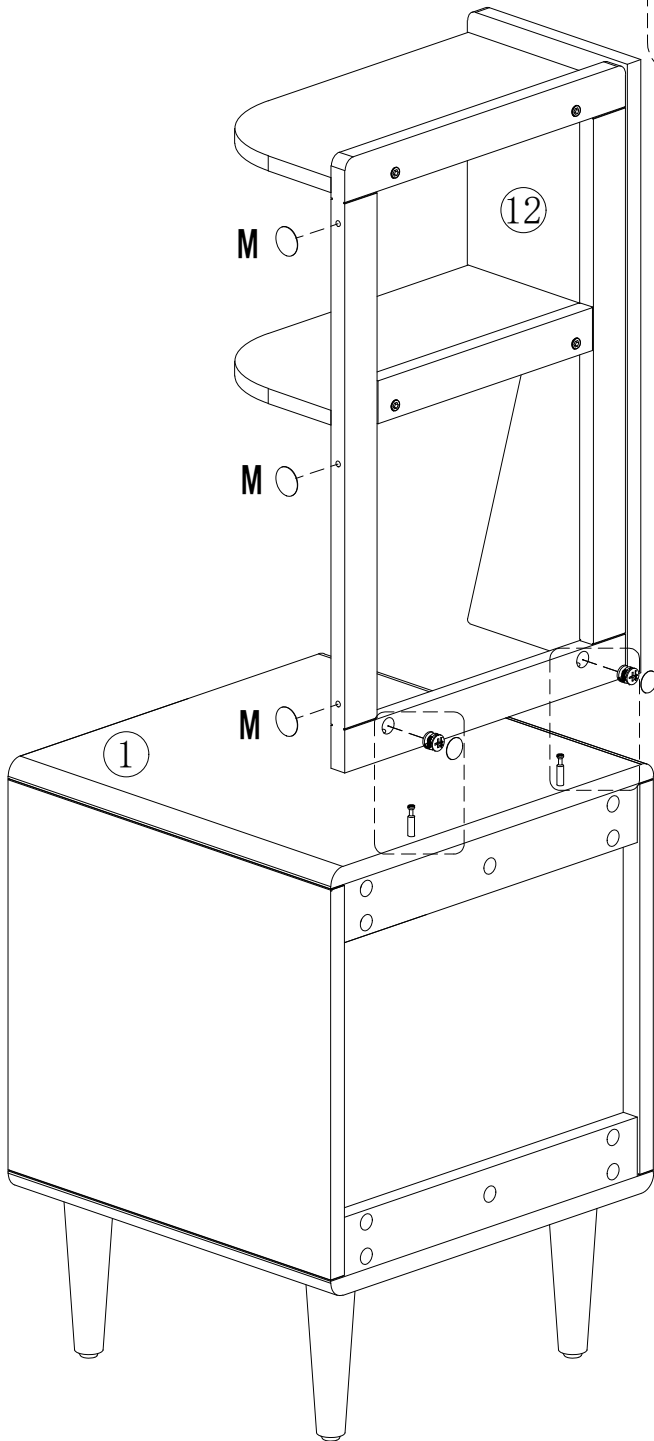
Specification name: three drawers nightstand

Step 18

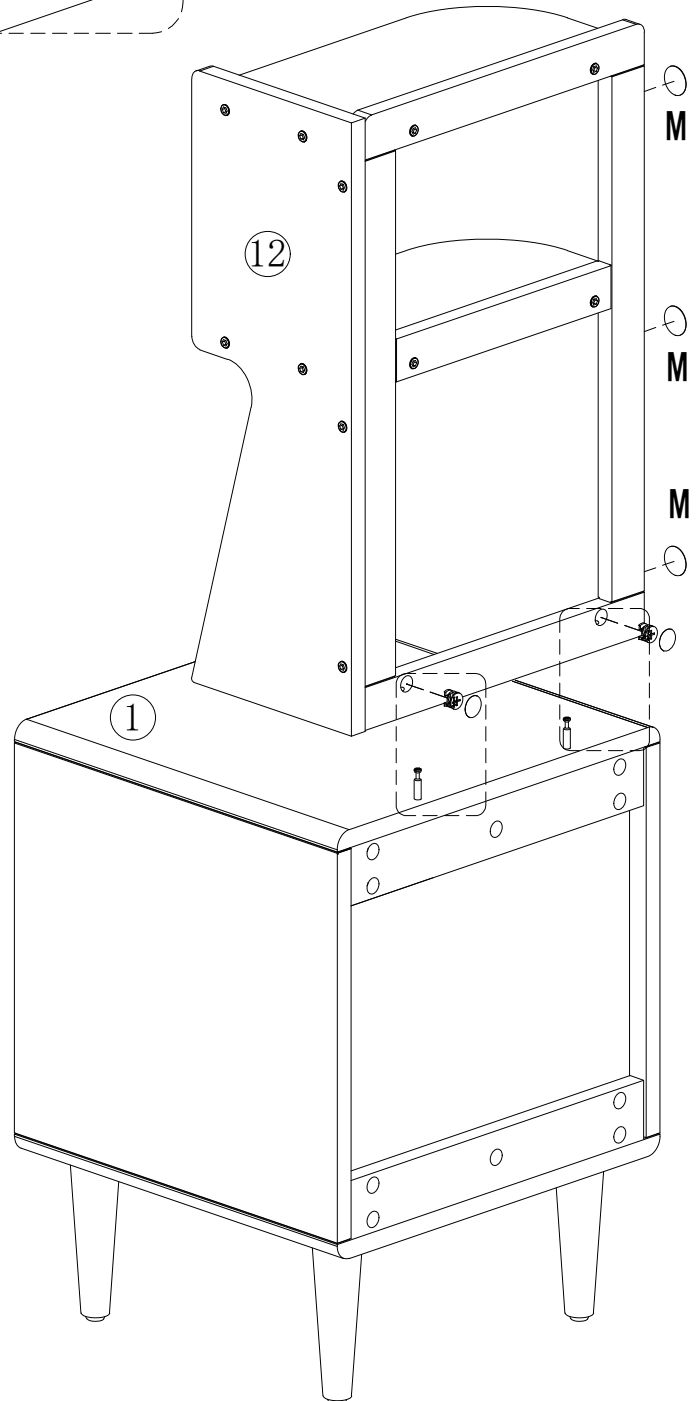
Please select the appropriate mounting method according to your needs:







Installation Method One:



Installation Method Two:

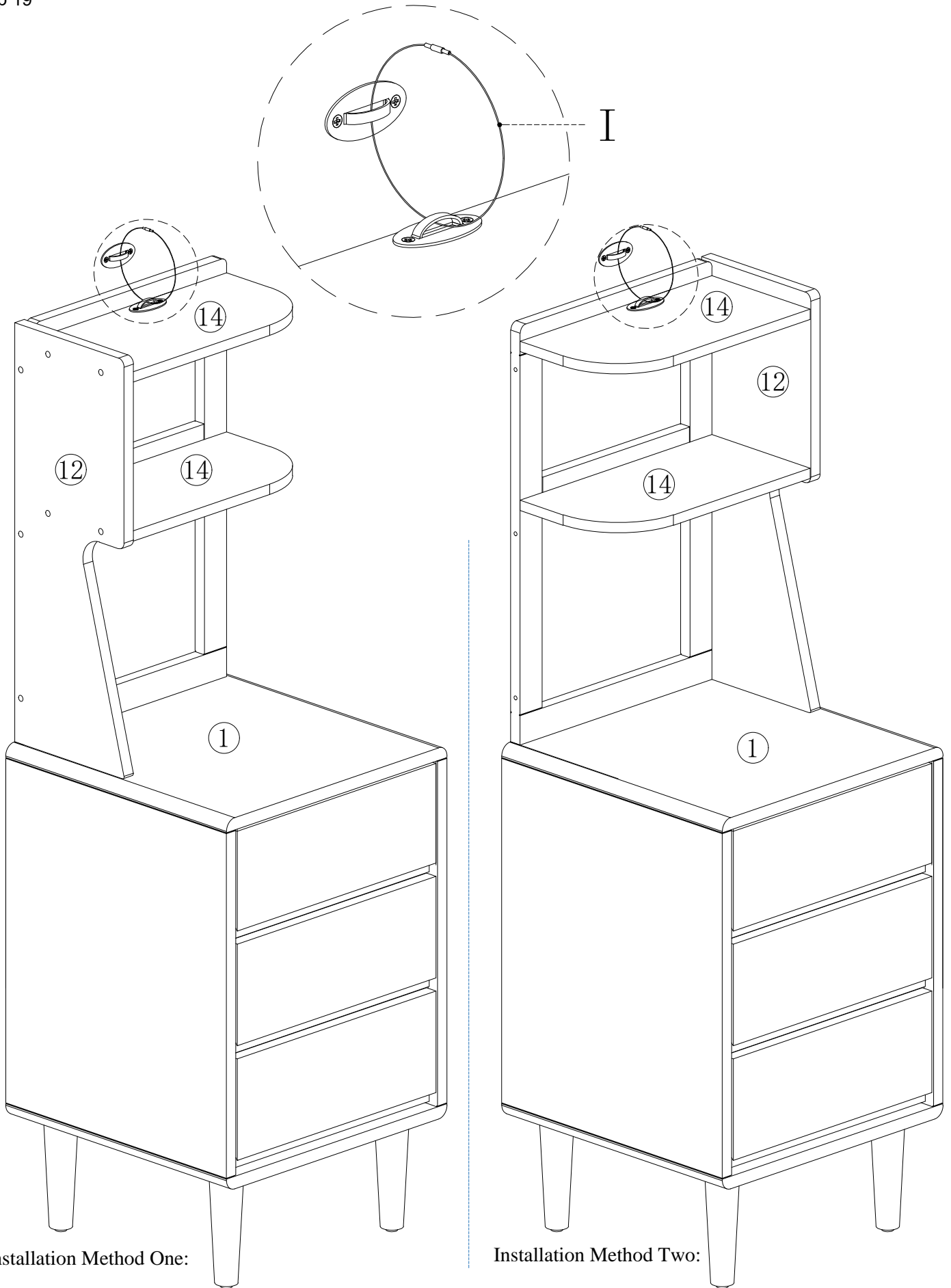


As shown, assemble the Step 16/Step 17 grouped parts with hardware B/G and cover with hardware H/M.

B		Ø15*9MM	2PCS
G		M6*136MM	1PC
H		Ø20MM	2PCS
M		Ø15MM	3PCS

Specification name: three drawers nightstand



Step 19



Installation Method One:

Installation Method Two:

As shown, use hardware I to secure the Step18 grouped pieces to the wall.

G	 M6*136MM	1PC
I		1PCS