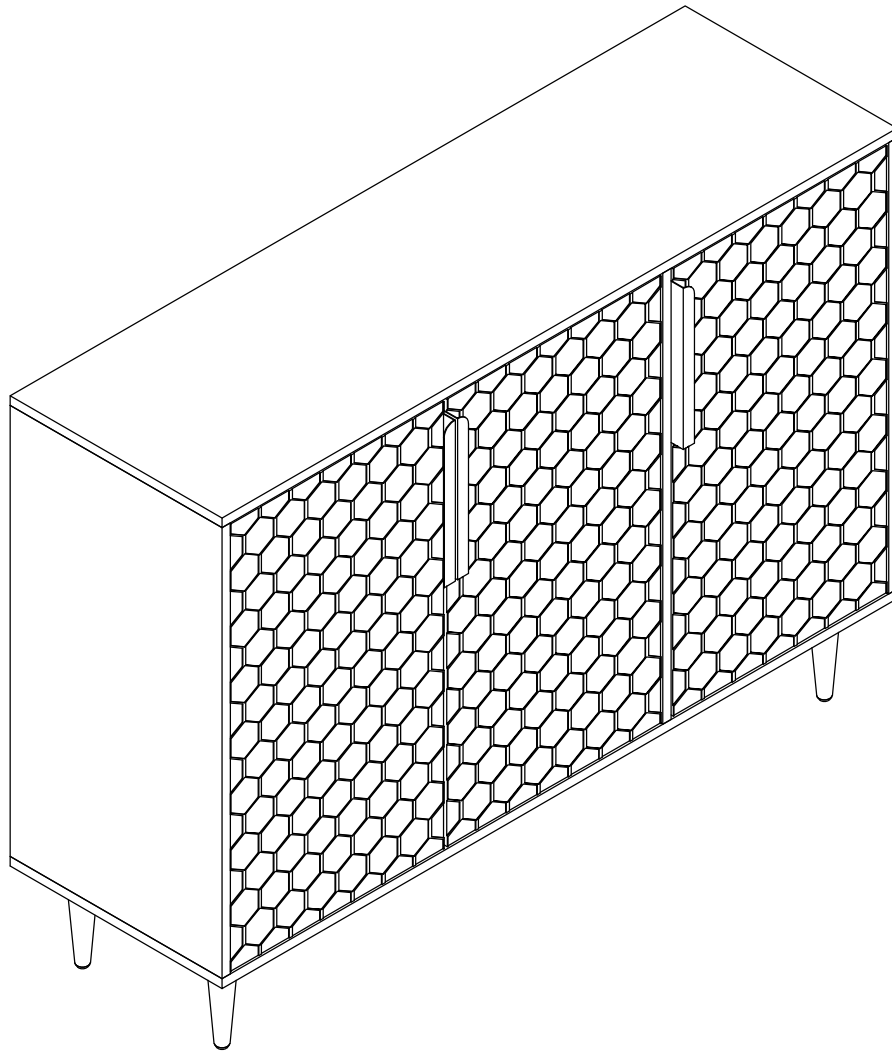


Installation Instruction



Product name

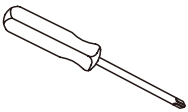
3 Door Cabinet

Ver.1.0 20240507

Assembling

What you need

- Use the packaging carton as a working surface to prevent product damage during assembly
- Phillips head screwdriver



Weight Limitation



40

lbs table top

| 22

lbs per shelf

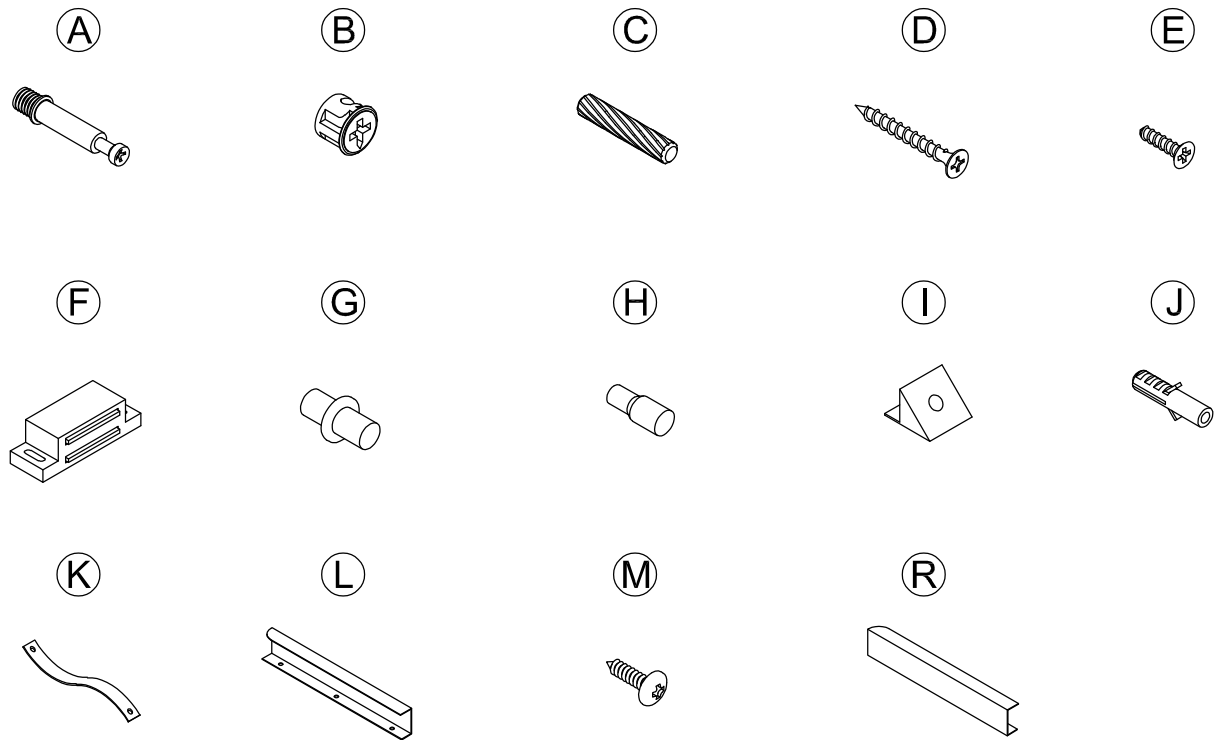


2 PERSONS

What's included

Code	Description	Qty
A	Cam Bolt M6X35MM	12
B	Cam Lock 15X10MM	12
C	Wooden Dowel M6X30MM	14
D	Screw M4X35MM	10
E	Screw M3X14MM	20
F	Magnetic Door Catcher	4
G	Metal Pin	6
H	Metal Support	8
I	Plastic corner support	12
J	Anchor M6X30MM	2
K	Nylon Strap	2
L	Handle for Left Door	1
M	Screw M4X14MM	31
R	Handle for Right Door	2

The Hardwares



IMPORTANT:

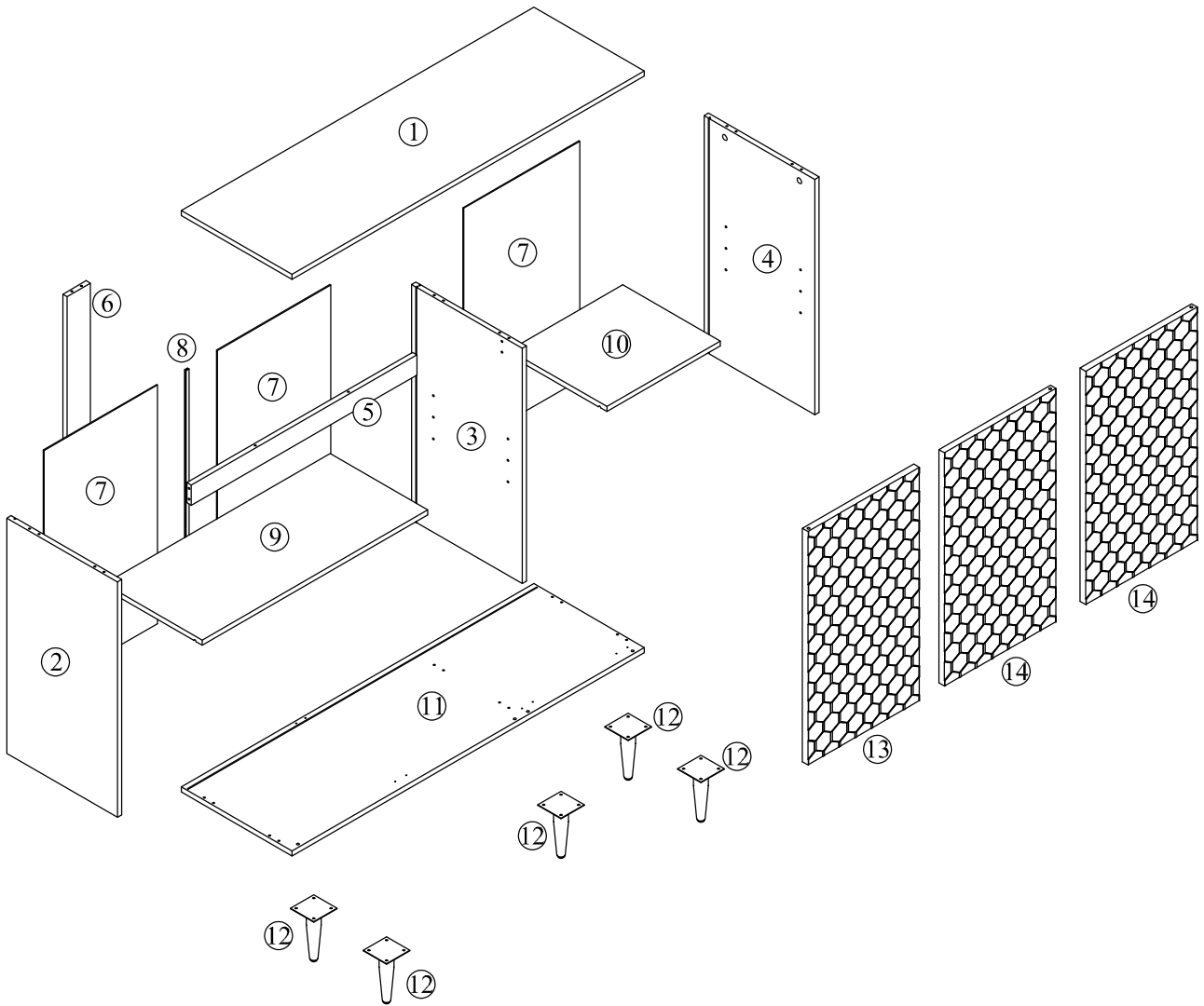
1. Do not tighten bolts / screws completely until all bolts / screws are lined up and inserted into holes.
2. Do not over tighten screws and bolts to avoid stripping.
3. Please use hand tools to assemble this product. Do not use power tools.
4. Must need 2 people to assemble this product.



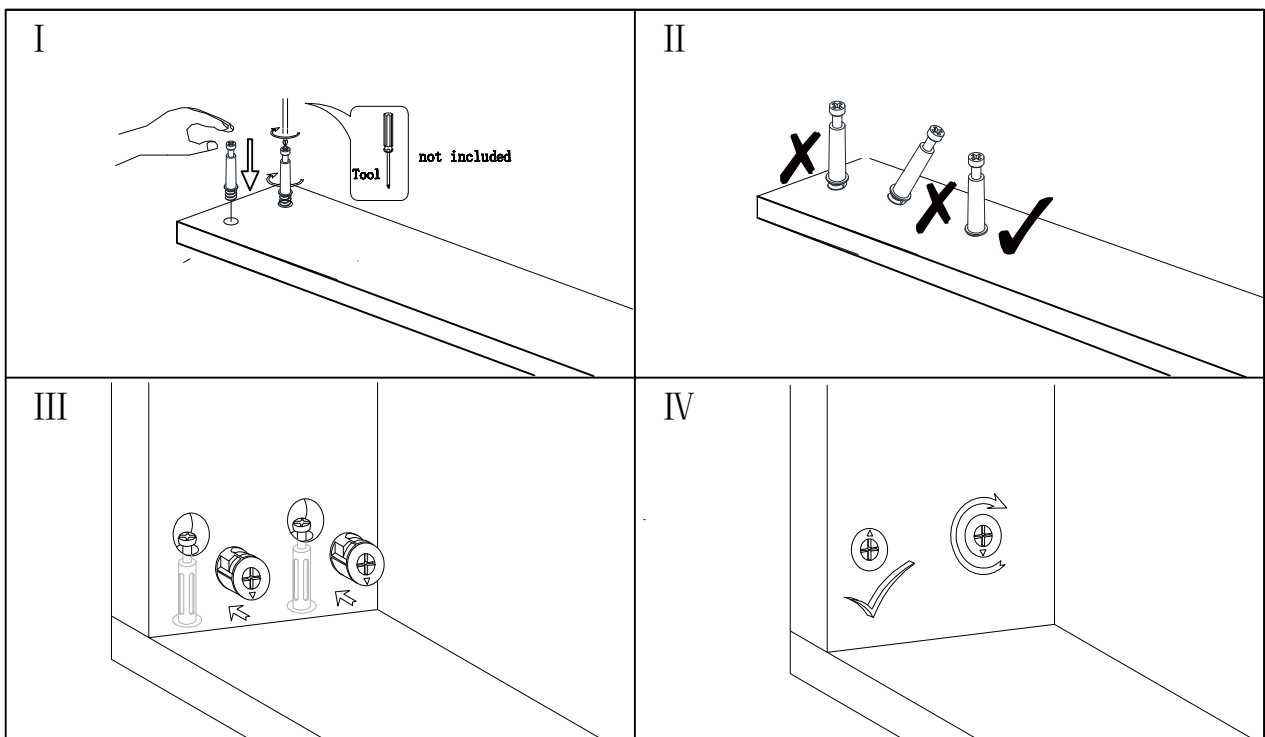
Included Accessories

Code	Description	Qty
1	Cabinet Top	1
2	Left Side Panel	1
3	Middle Division Panel	1
4	Right Side Panel	1
5	Horizontal Front Stretcher	1
6	Vertical Back Stretcher	1
7	Back Panel	3
8	Plastic Strip	1
9	Left Shelf	1
10	Right Shelf	1
11	Bottom Panel	1
12	FEET	5
13	Left Door	1
14	Right Door	2

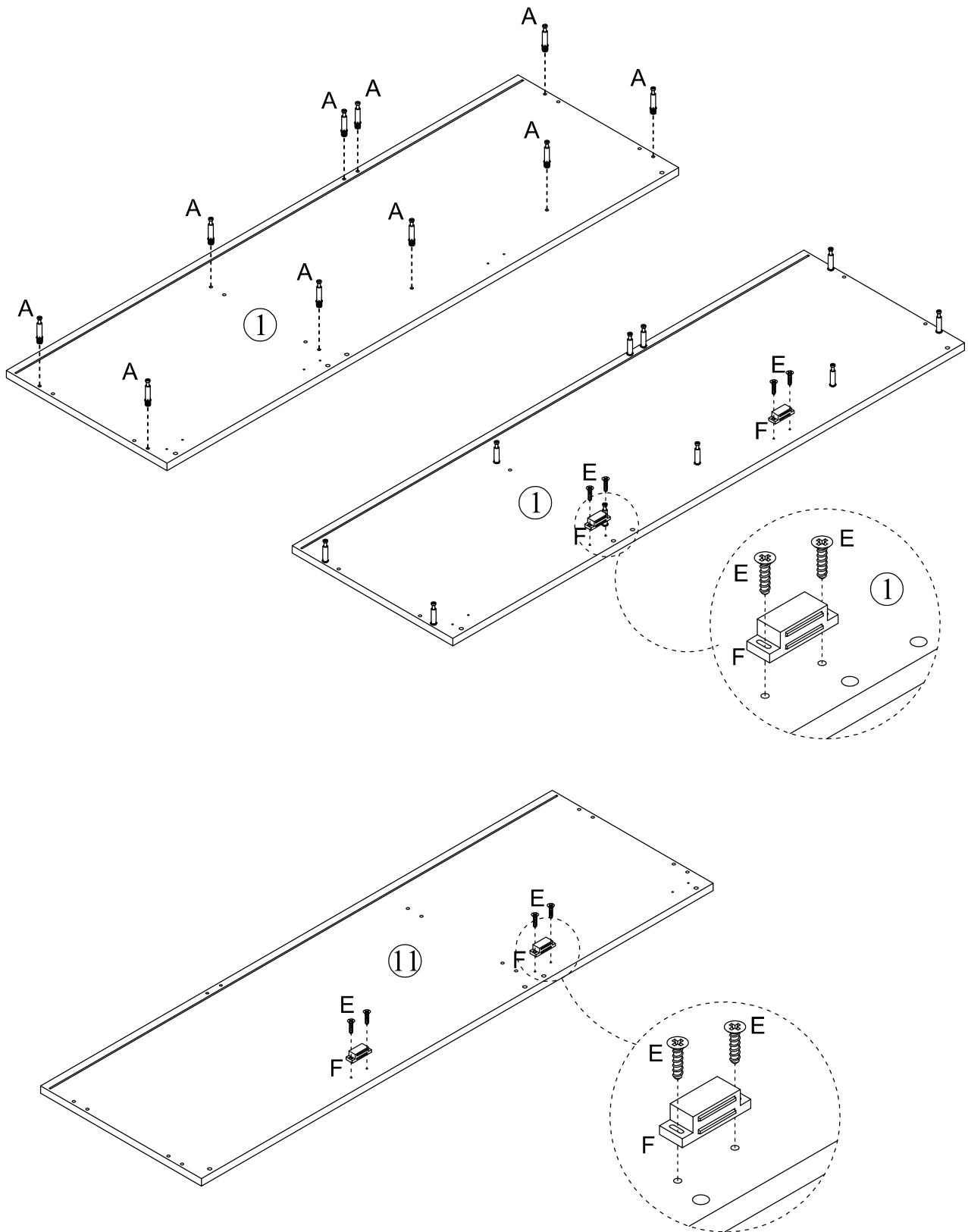
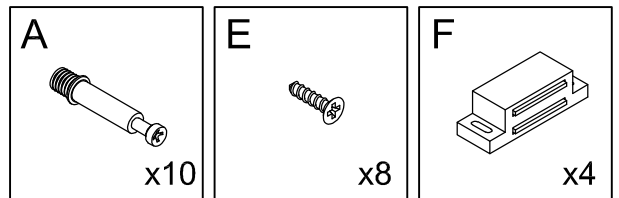
The Accessories



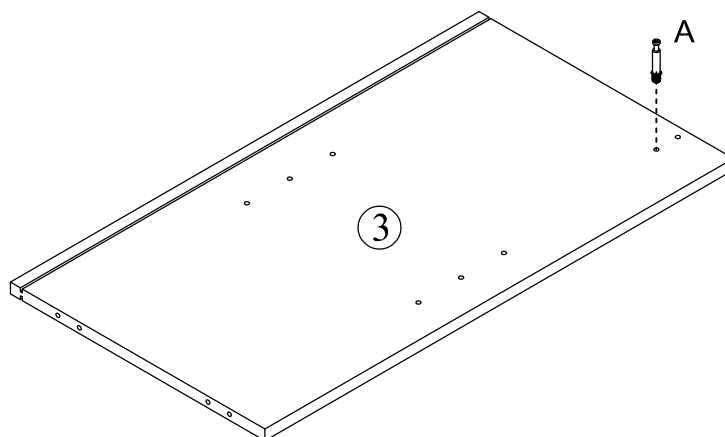
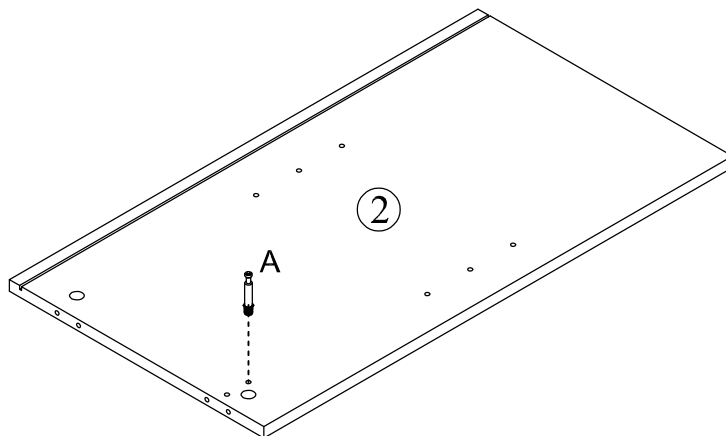
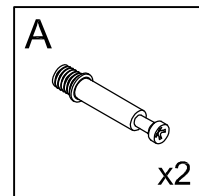
Noted :



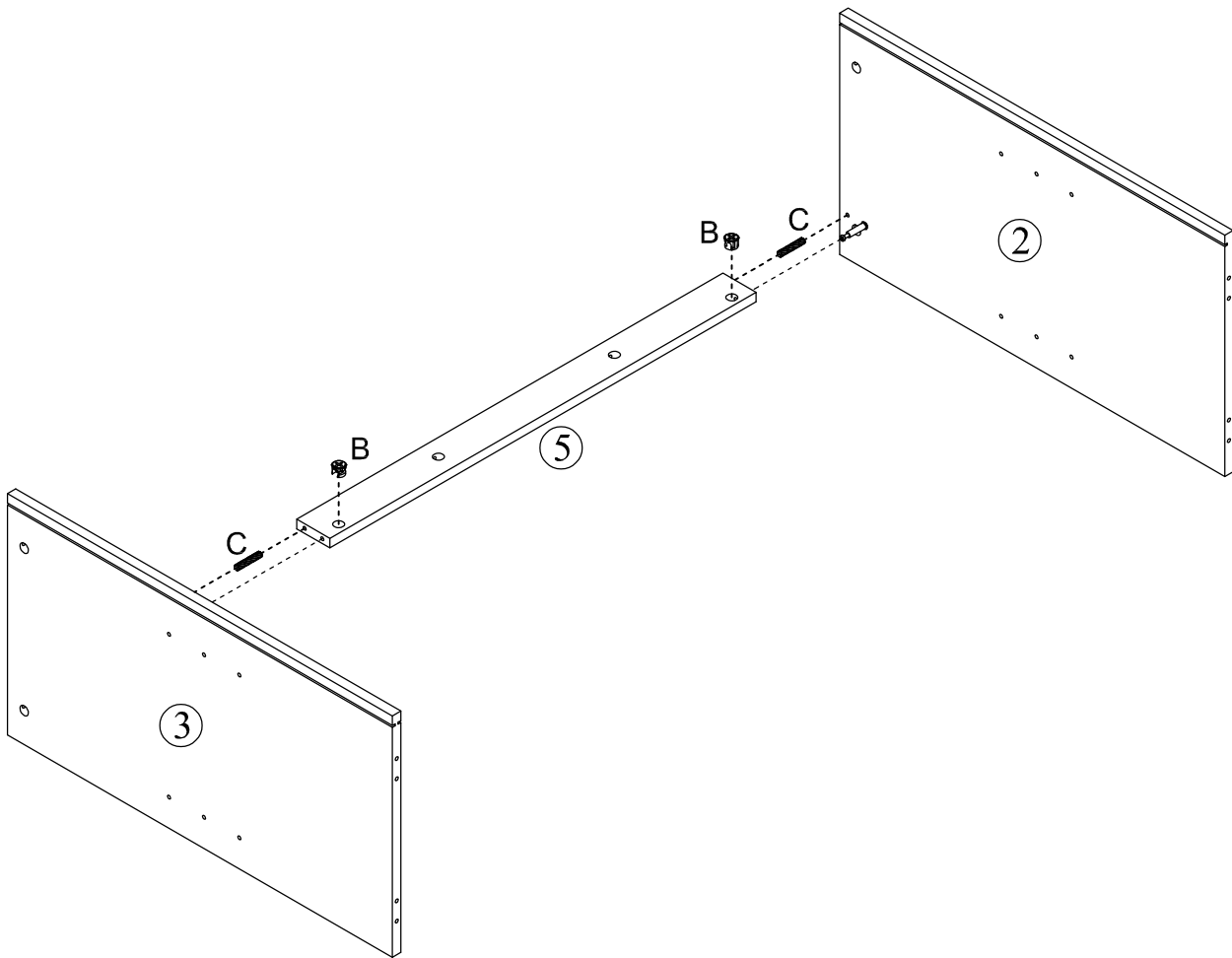
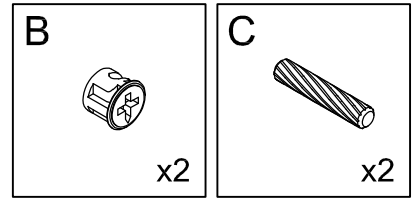
STEP 1



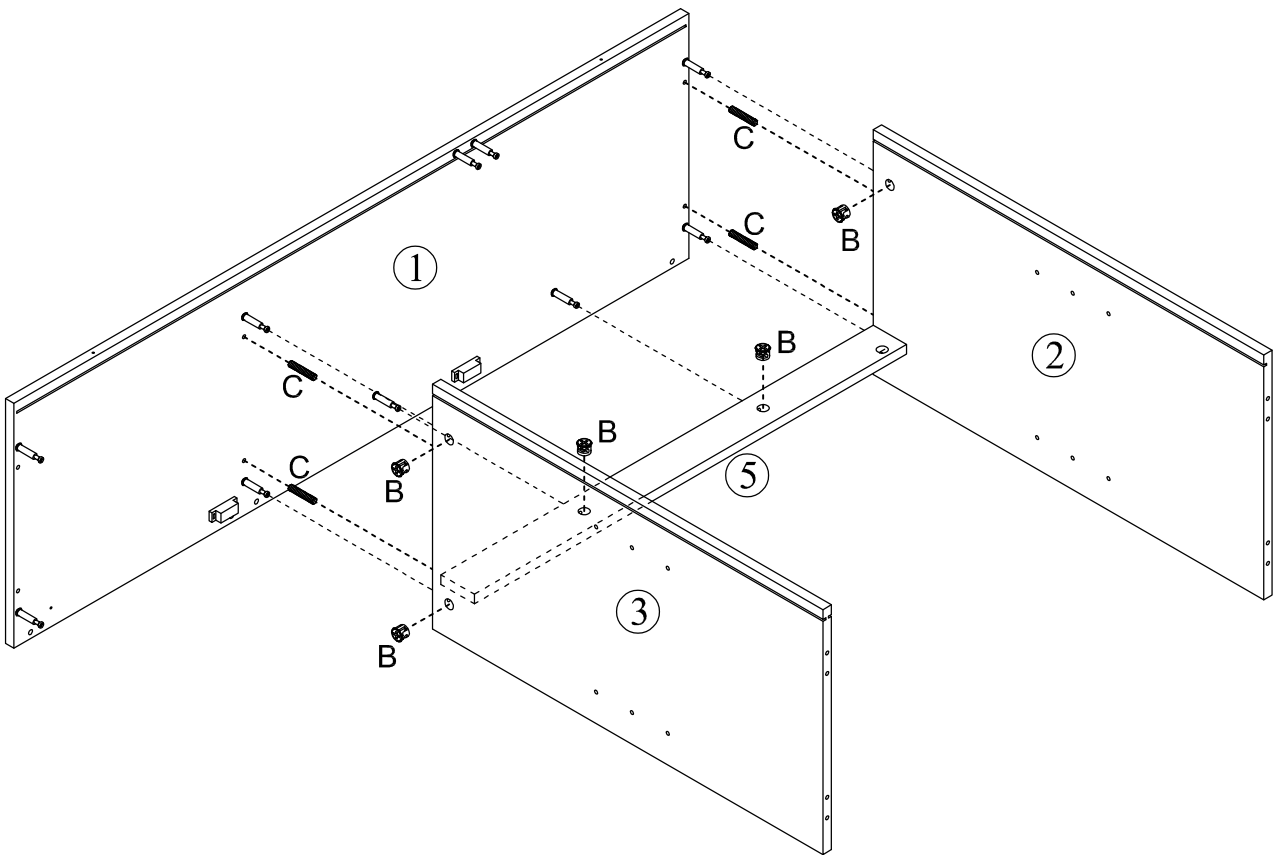
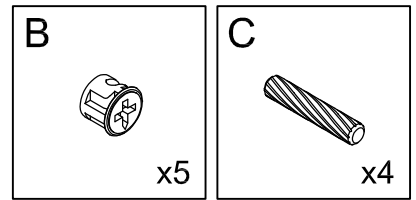
STEP 2



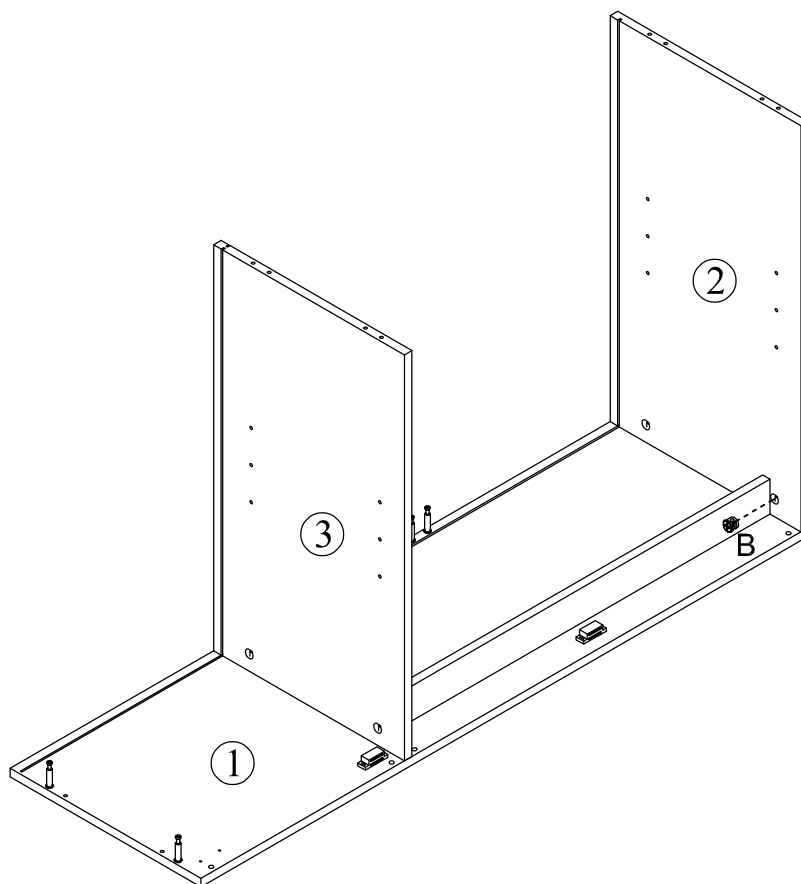
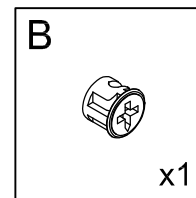
STEP 3



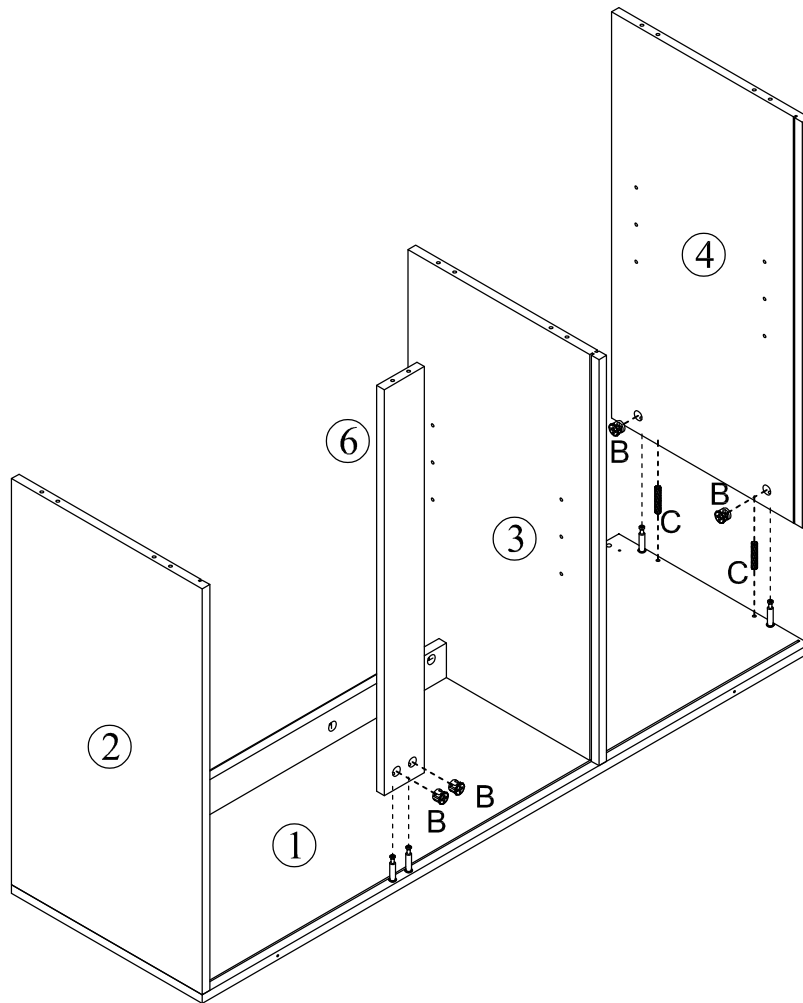
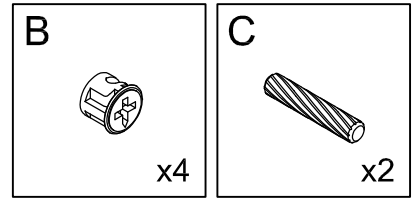
STEP 4



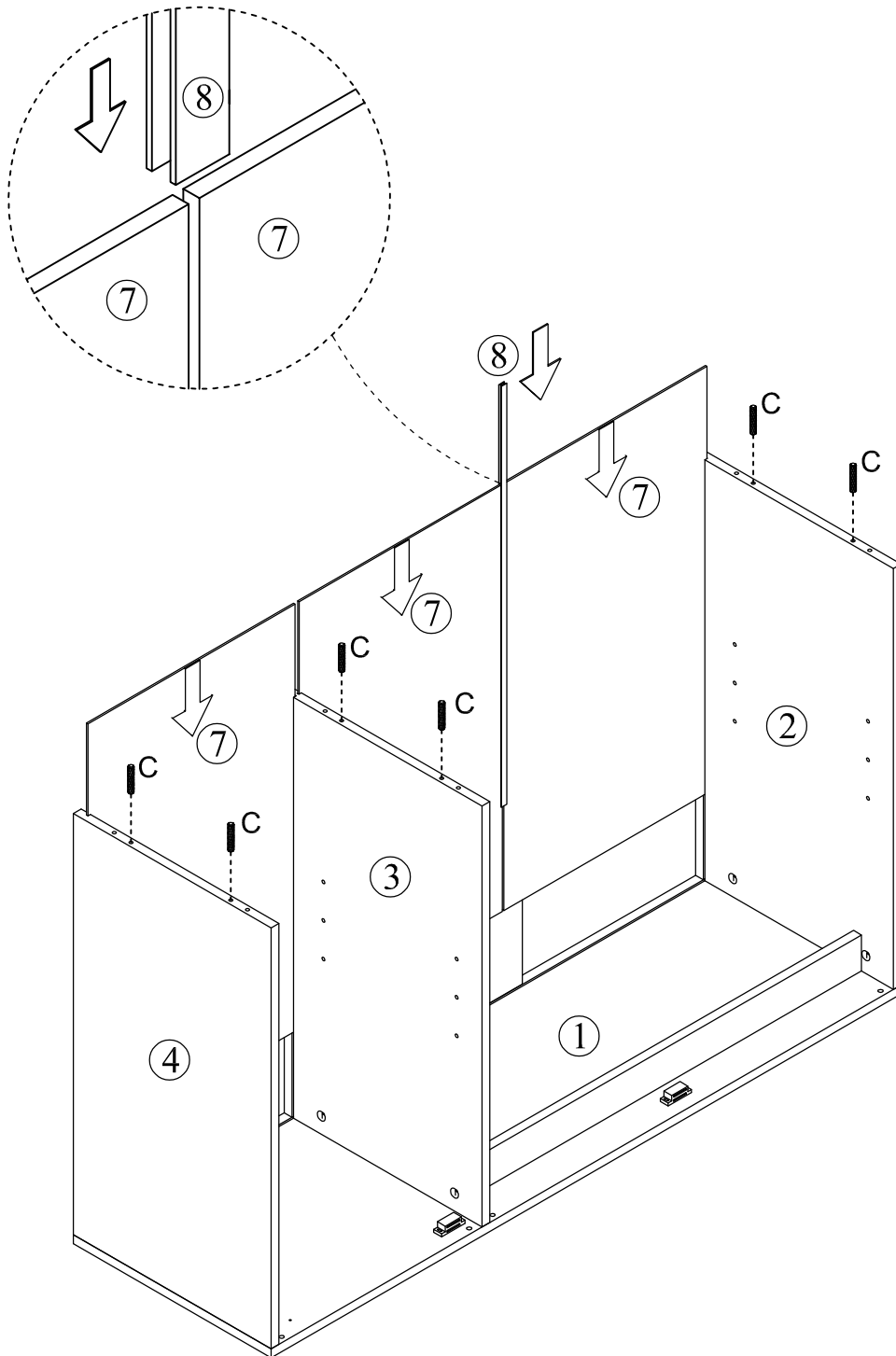
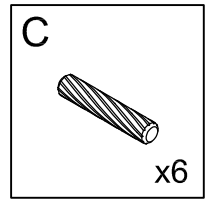
STEP 5



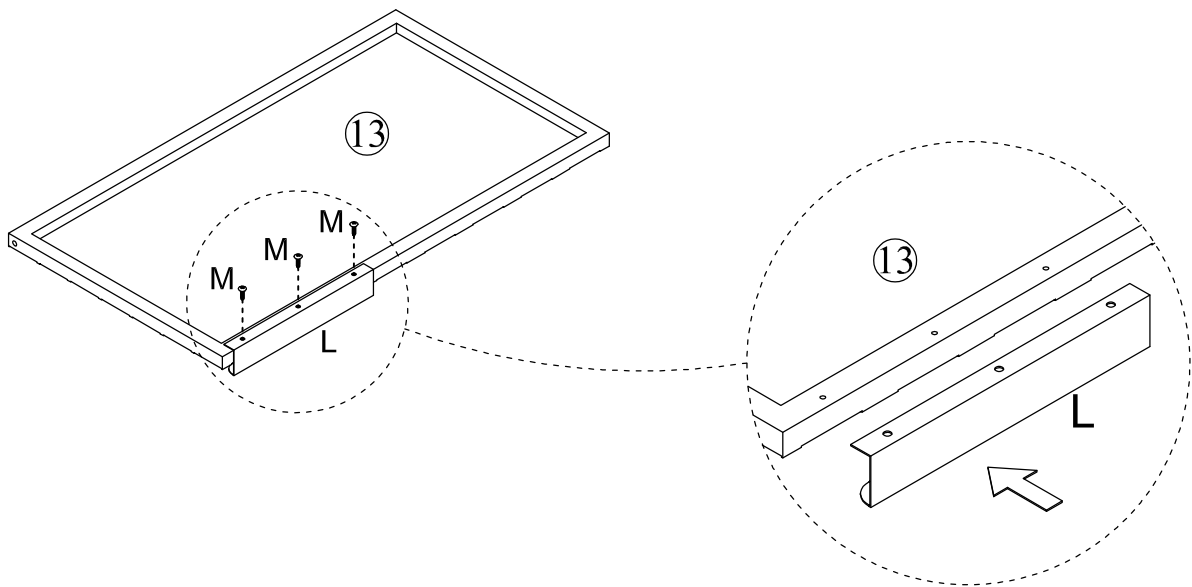
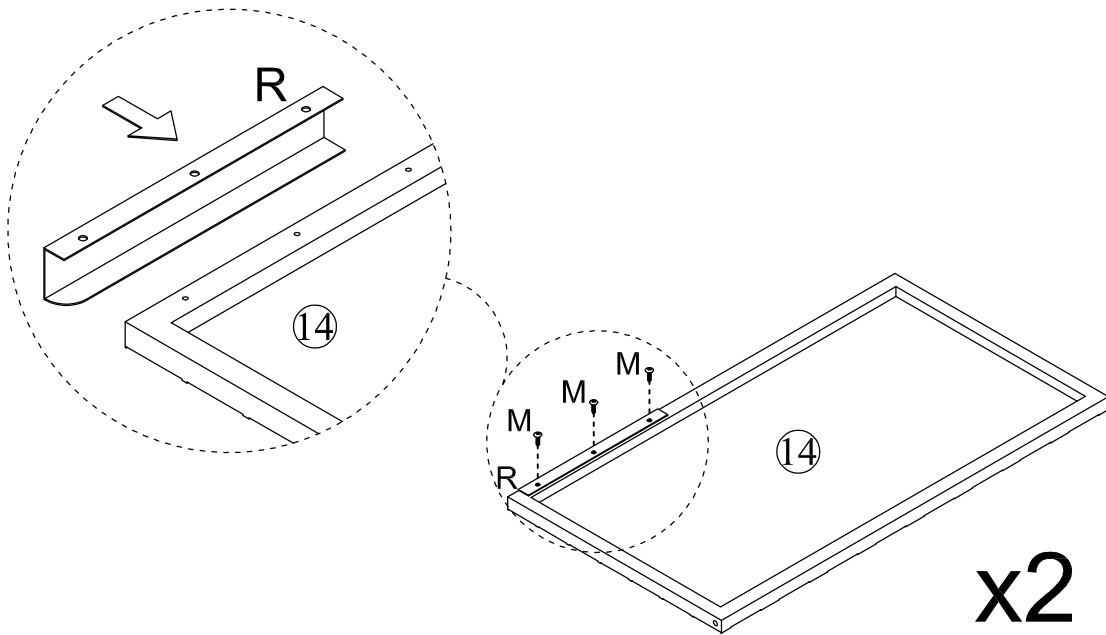
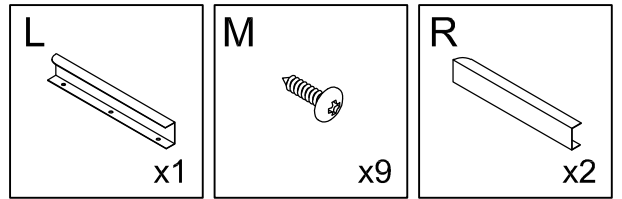
STEP 6



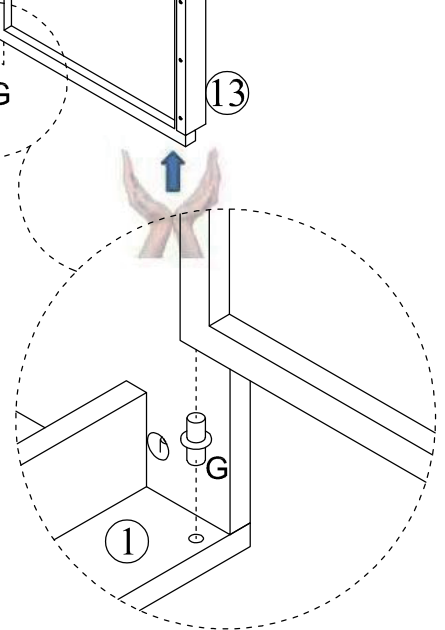
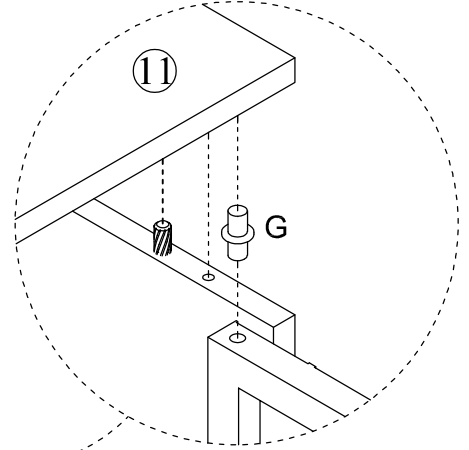
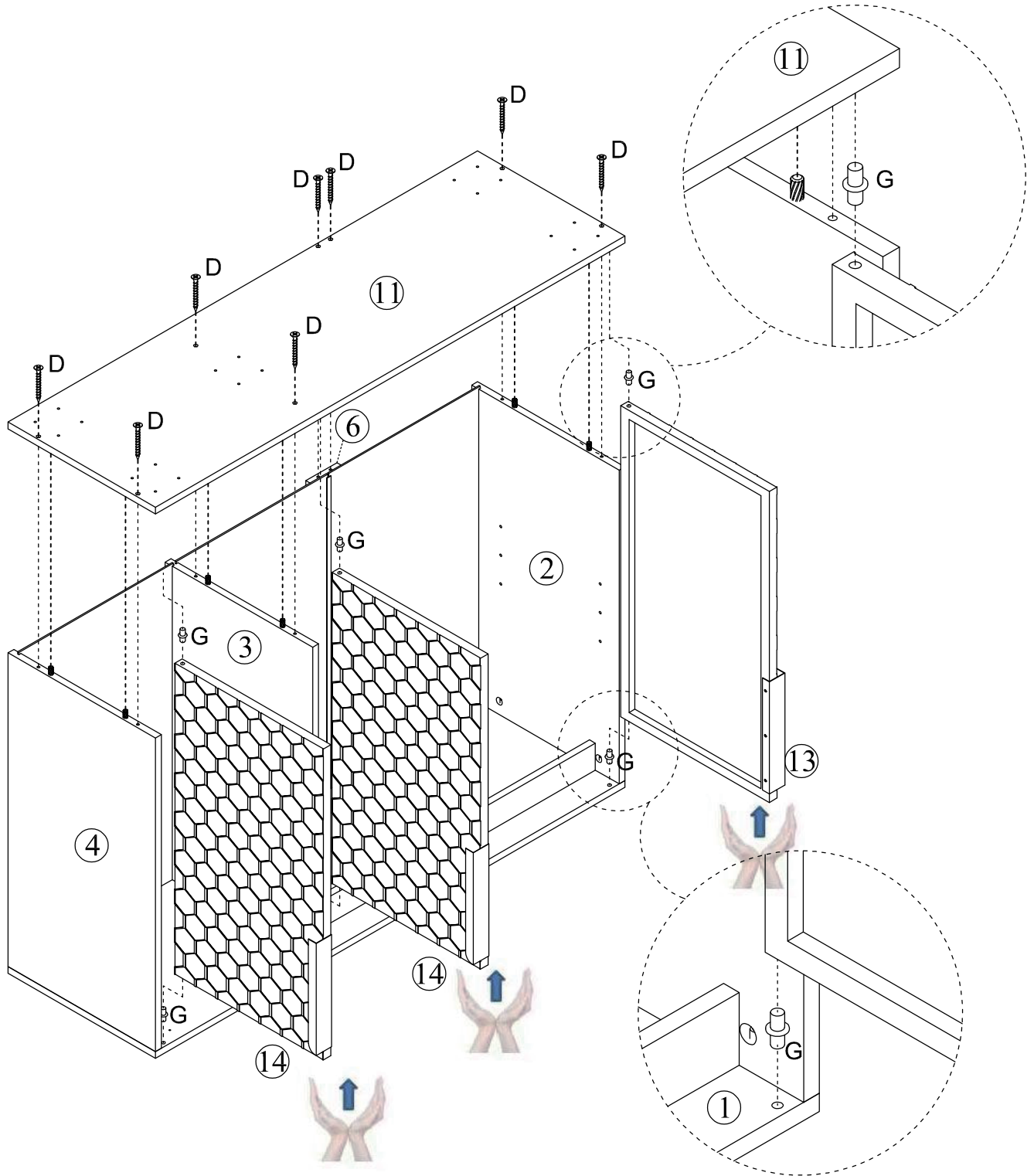
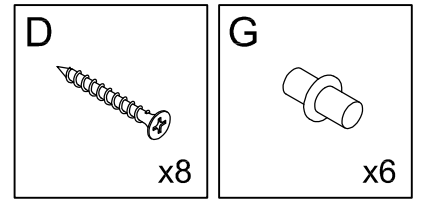
STEP 7



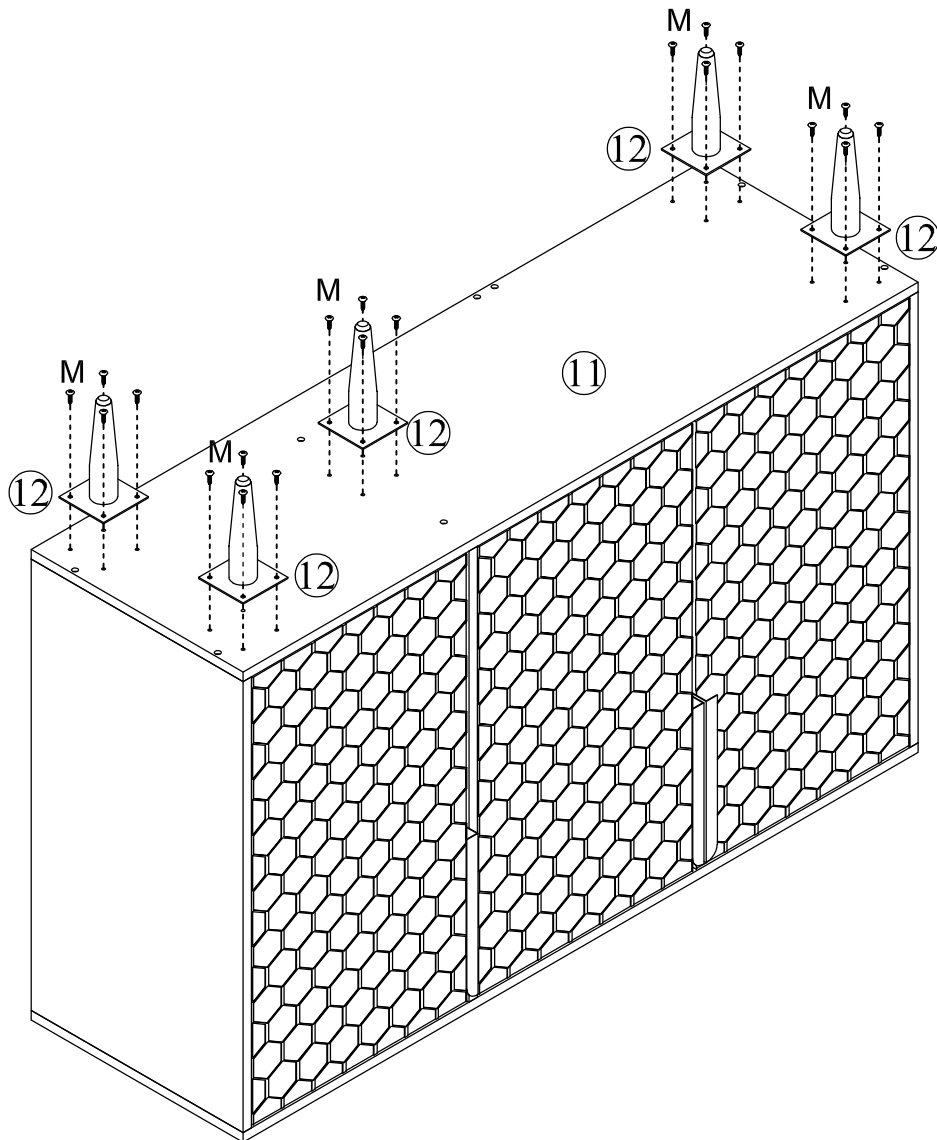
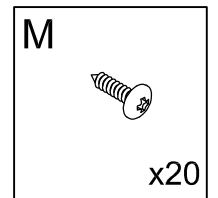
STEP 8



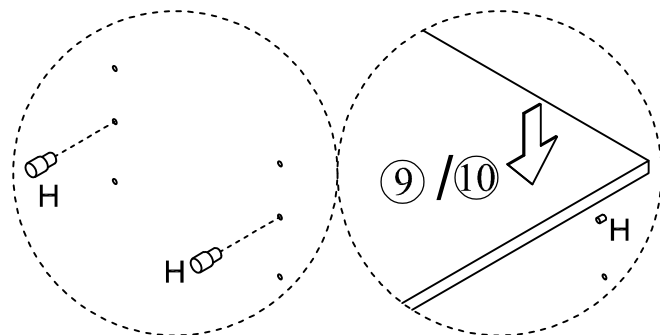
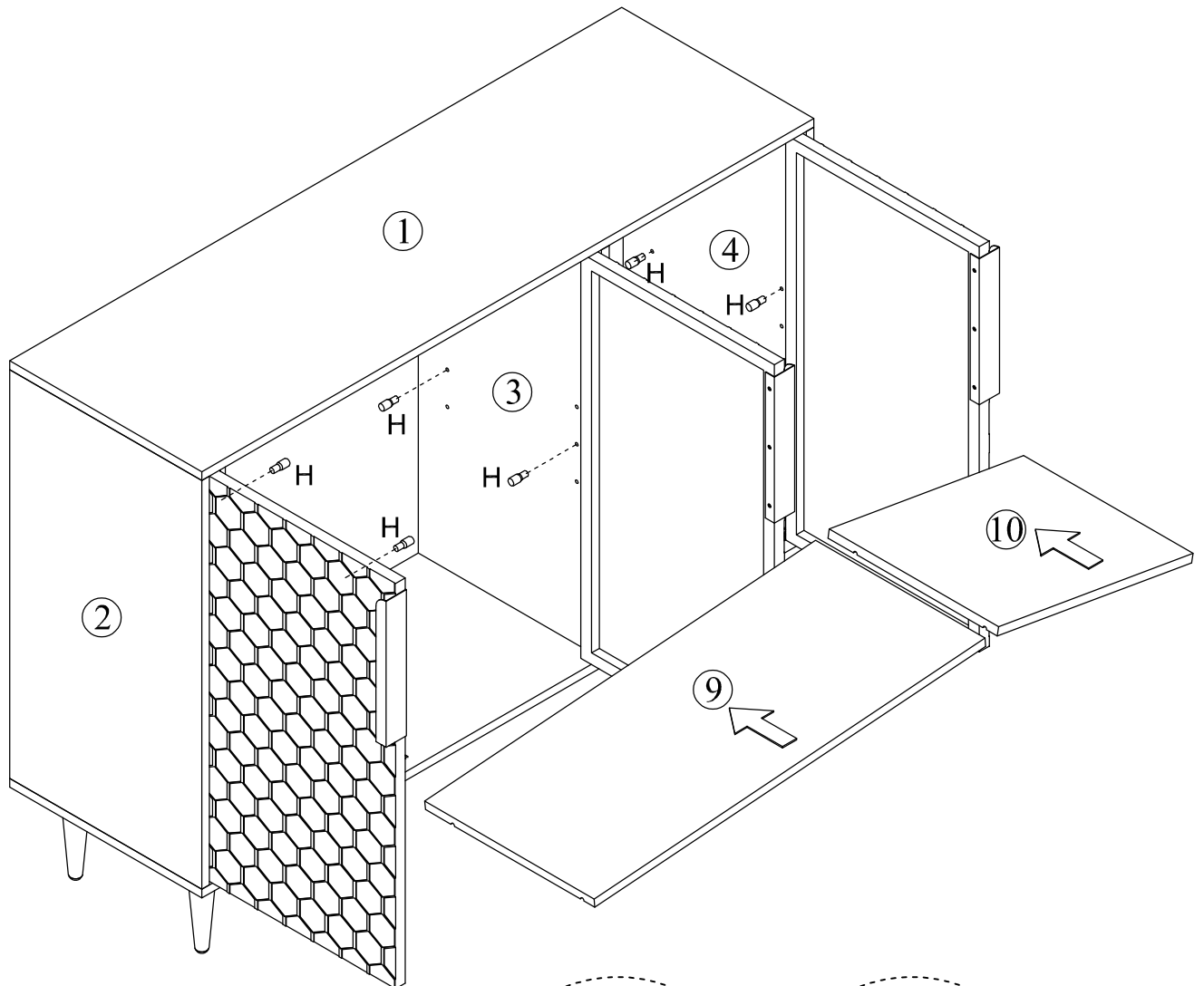
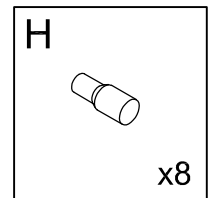
STEP 9



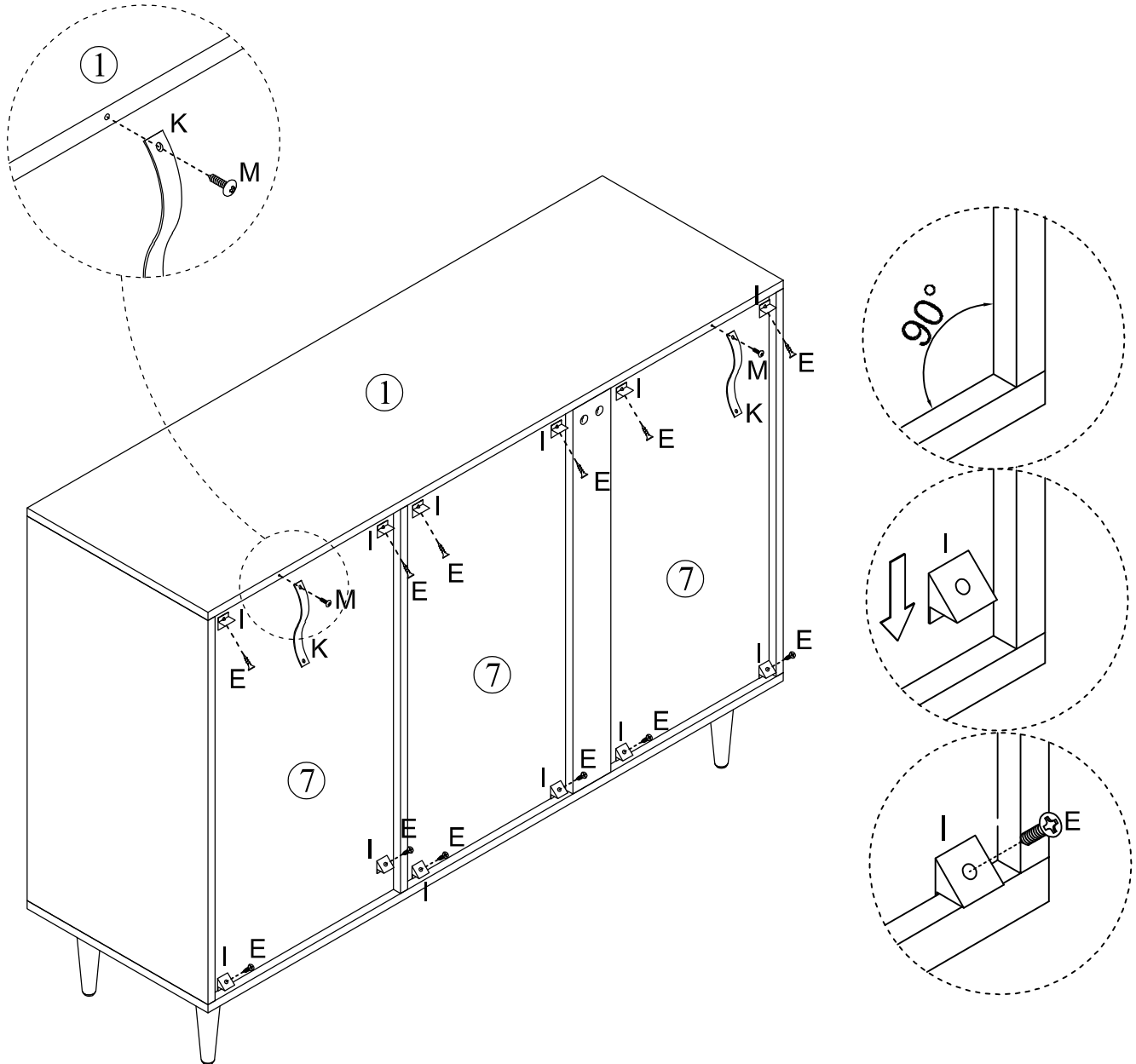
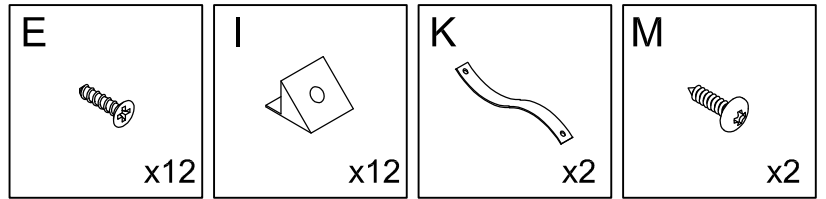
STEP 10



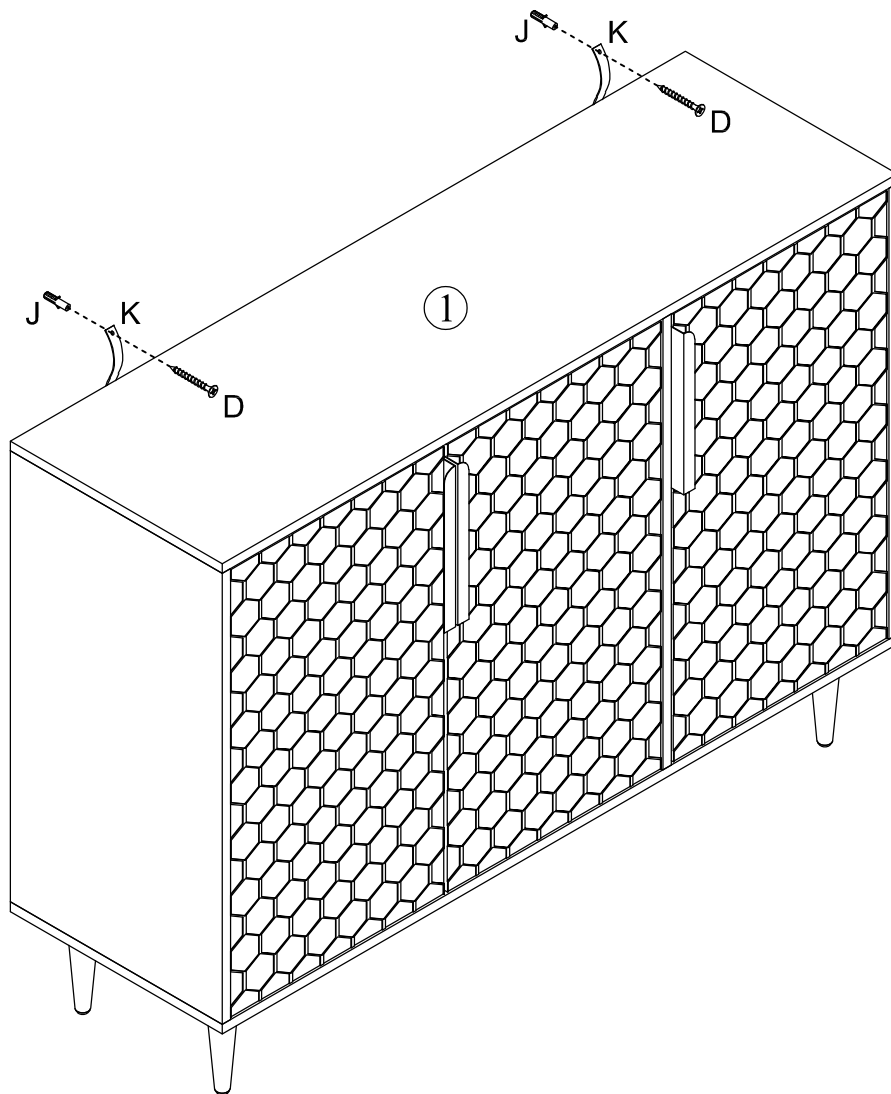
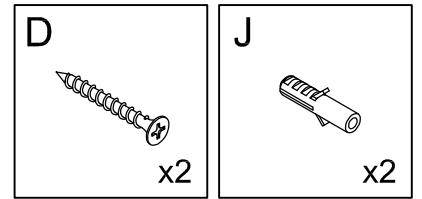
STEP 11



STEP 12



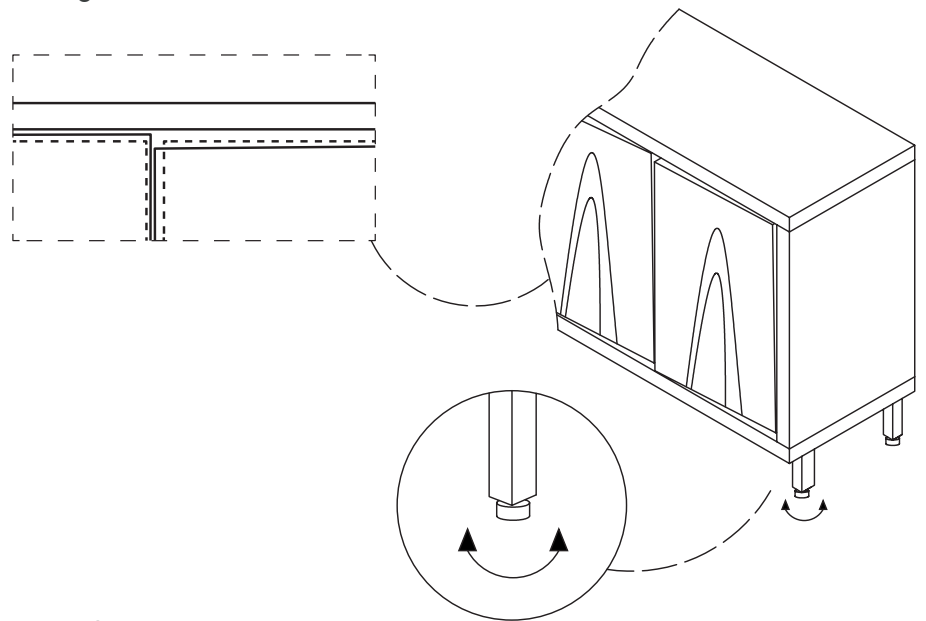
STEP 13



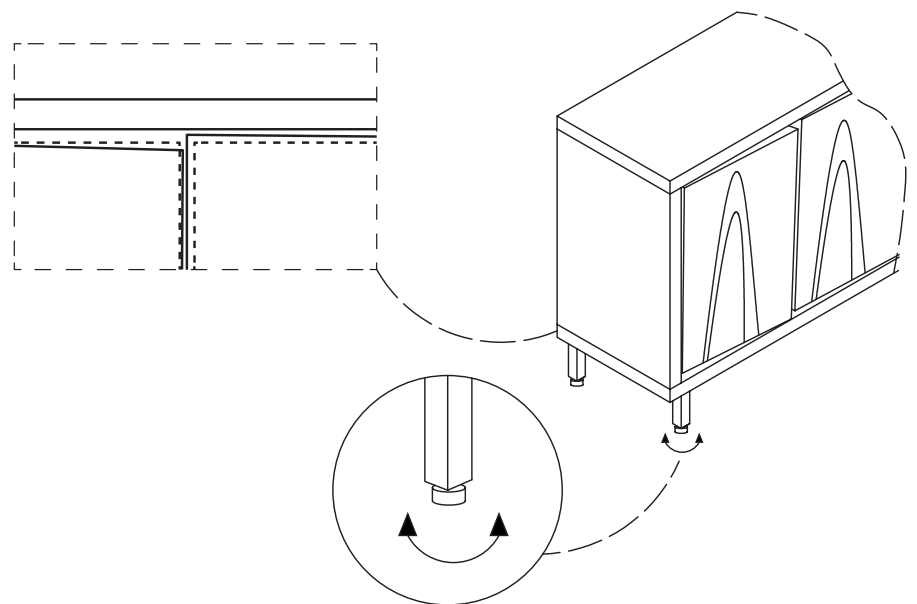
Is your cabinet door looking crooked or unevenly spaced? (Cont.)

If you're still having trouble lining everything up, your next step should be to try to adjust the feet slightly to square up the cabinet & doors. Follow the illustrations below:

If the right door appears to be hanging low, you can adjust the adjustable leveler on the front right until the door is better aligned.



If the left door appears to be hanging low, you can adjust the adjustable leveler on the front left until the door is better aligned.



Proper Use

- DO NOT** use for commercial purposes
- DO NOT** use as a step stool or stand on table
- DO NOT** put hot serving liquid directly on the table top
- DO NOT** leave spilled liquid on the table top
- DO NOT** use table if damaged
- DO NOT** exceed weight limit
- DO NOT** make temporary repairs
- DO NOT** use outdoor

Dear Customer:

Thank you for purchasing our product,we wish you satisfy our service,if you have any further questions or any quality issues,please show the belows number and don't hesitate to contact our Customer Service People:

W2232202405