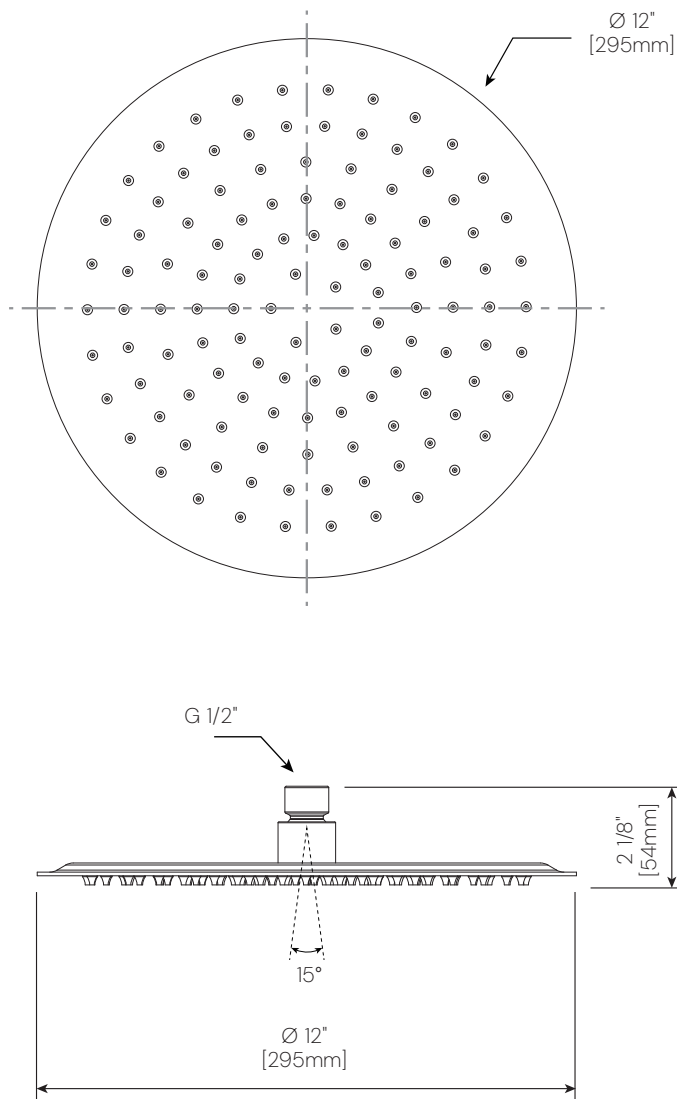


# SHOWER HEAD

C10.CR08

**CRANACH**  
BATH & KITCHEN



## FEATURES

- Rain Spray  
Wide and even water flow, relaxing and spa-like sensation.
- Brass Ball Joint  
Durable adjustable joint, easy positioning of the showerhead.
- Easy Clean Spray Nozzles  
Lime and calcium buildup prevention, hassle-free maintenance.
- Solid Stainless Construction  
Premium stainless steel, durable and rust-resistant.

## SPECIFICATION

- Rotation angle  $\pm 15^\circ$
- Inlet: G 1/2" female connection
- Size:  $\varnothing 12"$  (295mm)
- Shower arm and flange not included
- Finish Availability: Polished Chrome/Matte Black/Brushed Nickel/Brushed Gold

## FLOW

- 1.8/2.5 GPM @ 80 PSI MAX

## WARRANTY

- Parts and Finish: Limited lifetime warranty for residential, or 10 years for commercial purchasers and multi-family (apartments and condominiums) residential, in each case from the date of purchase.

## STANDARDS

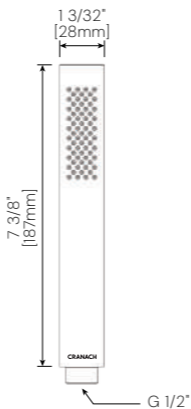
- ASME A112.18.1/CSA B125.1

*Cranach deserves the right to make changes in specifications and materials and to change or discontinue models both without notice or obligation. Dimensions are only for reference only.*

# HAND SHOWER

C90.HS03

**CRANACH**  
BATH & KITCHEN



## FEATURES

- Single Function  
Single stream full body coverage engineered for total immersion.
- Easy Clean Spray Nozzles  
Lime and calcium buildup prevention, hassle-free maintenance.
- All Metal Construction  
Durable metal build, superior strength and long-lasting reliability.

## SPECIFICATION

- Inlet: G 1/2" male connection
- Finish Availability: Polished Chrome/Matte Black/Brushed Nickel/  
Brushed Gold
- Hose and holder not Included

## FLOW

- 1.8/2.5 GPM @ 80 PSI MAX

## WARRANTY

- Parts and Finish: Limited lifetime warranty for residential, or 10 years for commercial purchasers and multi-family (apartments and condominiums) residential, in each case from the date of purchase.

## STANDARDS

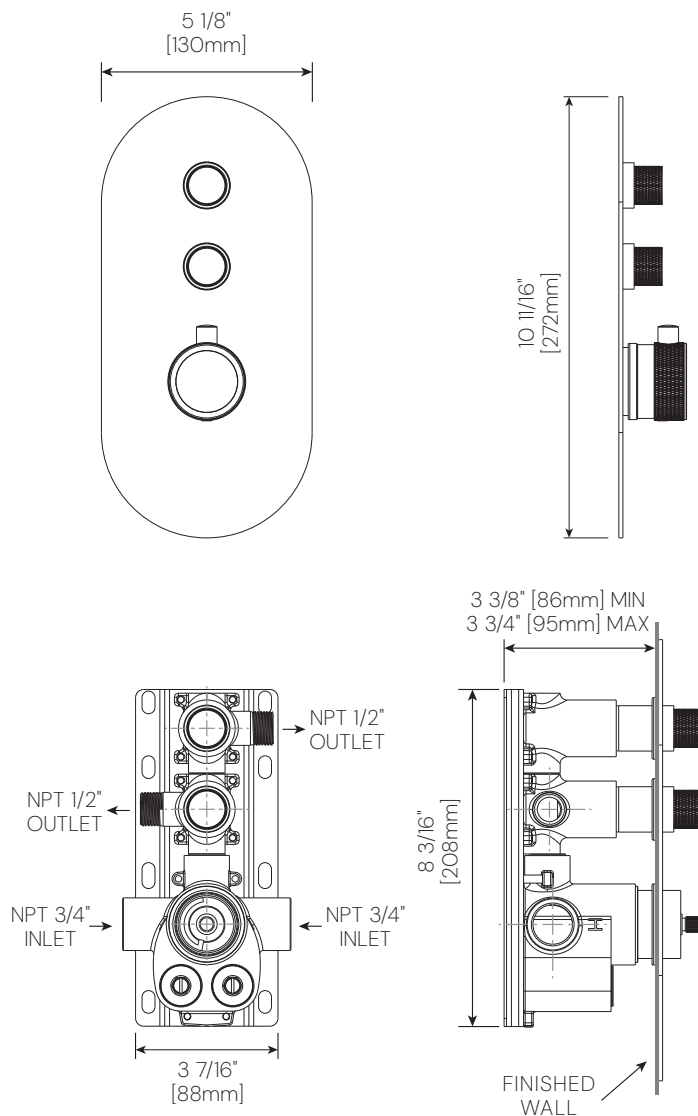
- ASME A112.18.1/CSA B125.1

*Cranach deserves the right to make changes in specifications and materials and to change or discontinue models both without notice or obligation. Dimensions are only for reference only.*

# TIRM & VALVE

C66.RHO2

**CRANACH**  
BATH & KITCHEN



## FEATURES

- Thermostatic Valve  
Precise temperature control, reliable operation, and improved user safety.
- 2 Outlets  
Two independent outlets operable singly or in any combination.
- Corrosion-Resistant Finish  
Resilient coating, defense against corrosion and wear.
- All Metal Construction  
Durable metal build, superior strength and long-lasting reliability.

## SPECIFICATION

- Thermostatic cartridge locks temperature at 38°C/100°F
- Top & middle buttons control diverter functions
- Bottom knob controls temperature
- Inlet: NPT 3/4" female connection
- Outlet: NPT 1/2" male connection
- Finish Availability: Polished Chrome/Matte Black/Brushed Nickel/Brushed Gold
- Cartridges included

## FLOW

- 8.5 GPM @ 80 PSI MAX

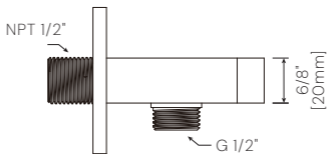
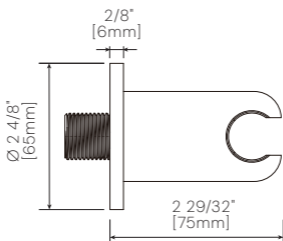
## WARRANTY

- Parts and Finish: Limited lifetime warranty for residential, or 10 years for commercial purchasers and multi-family (apartments and condominiums) residential, in each case from the date of purchase.

## STANDARDS

- ASME A112.18.1/CSA B125.1

*Cranach deserves the right to make changes in specifications and materials and to change or discontinue models both without notice or obligation. Dimensions are only for reference only.*



## FEATURES

- All Metal Construction  
Durable metal build, superior strength and long-lasting reliability.
- Easy Wipe Clean  
Chemical-free cleaning, effortless maintenance on frequently touched areas.

## SPECIFICATION

- Inlet: NPT 1/2" male connection
- Outlet: G 1/2" male connection
- Finish Availability: Polished Chrome/Matte Black/Brushed Nickel/Brushed Gold

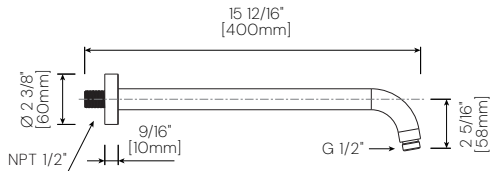
## WARRANTY

- Parts and Finish: Limited lifetime warranty for residential, or 10 years for commercial purchasers and multi-family (apartments and condominiums) residential, in each case from the date of purchase.

## STANDARDS

- ASME A112.18.1/CSA B125.1

*Cranach deserves the right to make changes in specifications and materials and to change or discontinue models both without notice or obligation. Dimensions are only for reference only.*



## FEATURES

- All Metal Construction  
Durable metal build, superior strength and long-lasting reliability.
- Easy Wipe Clean  
Chemical-free cleaning, effortless maintenance on frequently touched areas.

## SPECIFICATION

- Wall-mounted
- Inlet: NPT 1/2" male connection
- Outlet: G 1/2" male connection
- Shower arm and flange included

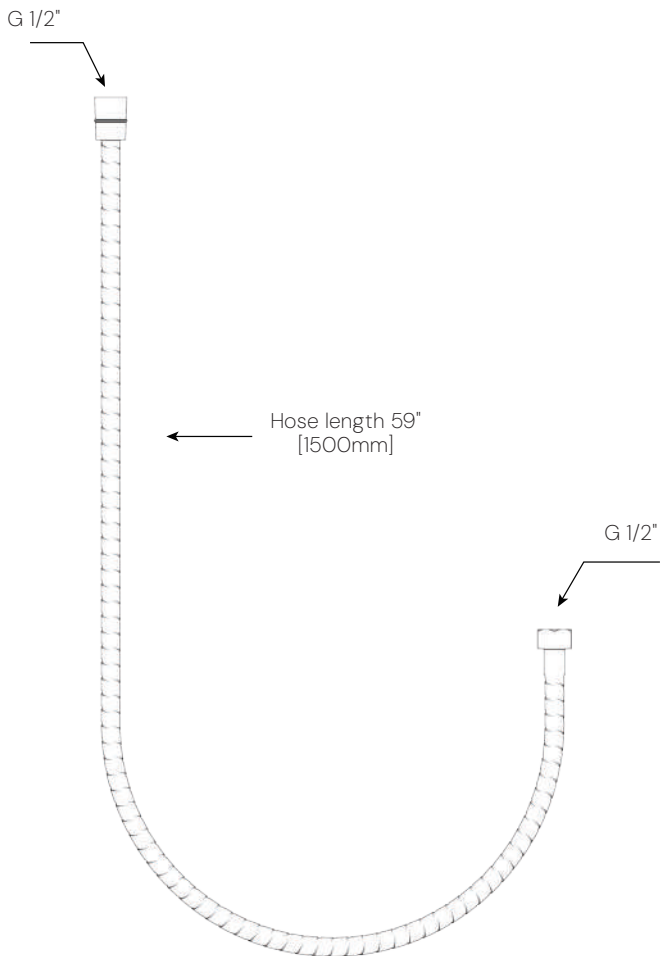
## WARRANTY

- Parts and Finish: Limited lifetime warranty for residential, or 10 years for commercial purchasers and multi-family (apartments and condominiums) residential, in each case from the date of purchase.

## STANDARDS

- ASME A112.18.1/CSA B125.1

*Cranach deserves the right to make changes in specifications and materials and to change or discontinue models both without notice or obligation. Dimensions are only for reference only.*



## FEATURES

- All Metal Construction  
Durable metal build, superior strength and long-lasting reliability.

## SPECIFICATION

- Outlet: G 1/2" female connection
- Inlet: G 1/2" female connection
- 59"(1500mm) length hose
- Finish Availability: Polished Chrome/Matte Black/Brushed Nickel/Brushed Gold

## WARRANTY

- Parts and Finish: Limited lifetime warranty for residential, or 10 years for commercial purchasers and multi-family (apartments and condominiums) residential, in each case from the date of purchase.

## STANDARDS

- ASME A112.18.1/CSA B125.1

*Cranach reserves the right to make changes in specifications and materials and to change or discontinue models both without notice or obligation. Dimensions are only for reference only.*