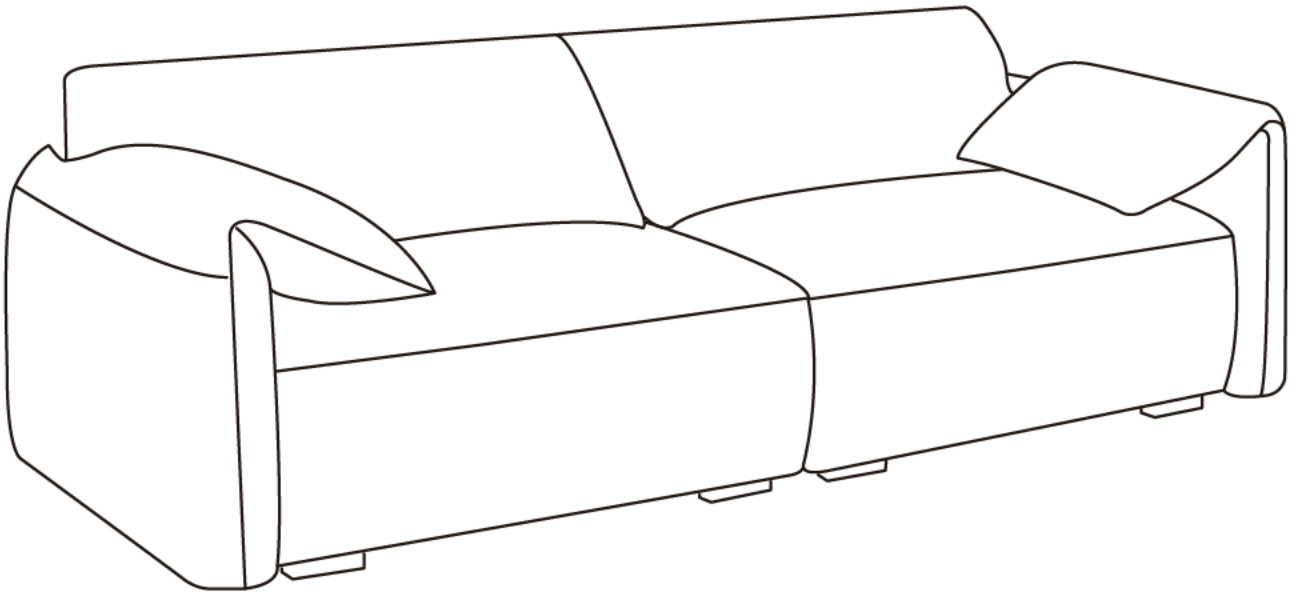


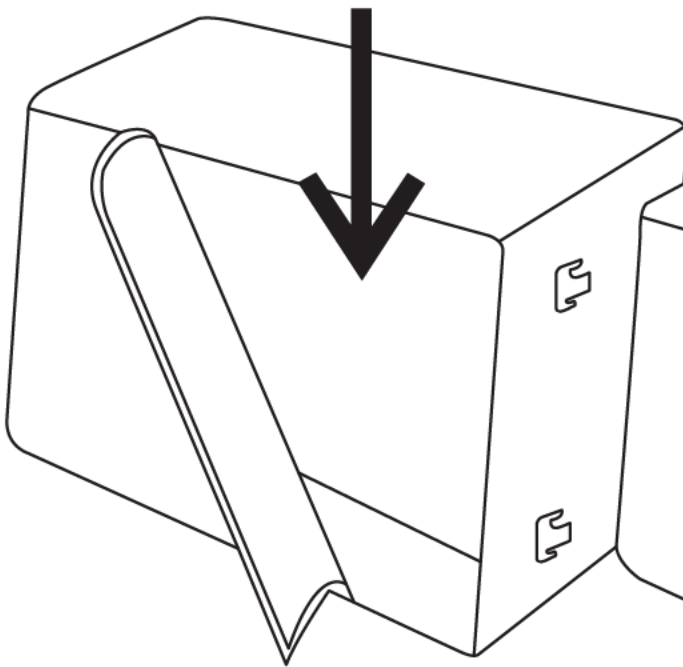
# INSTRUCTIONS



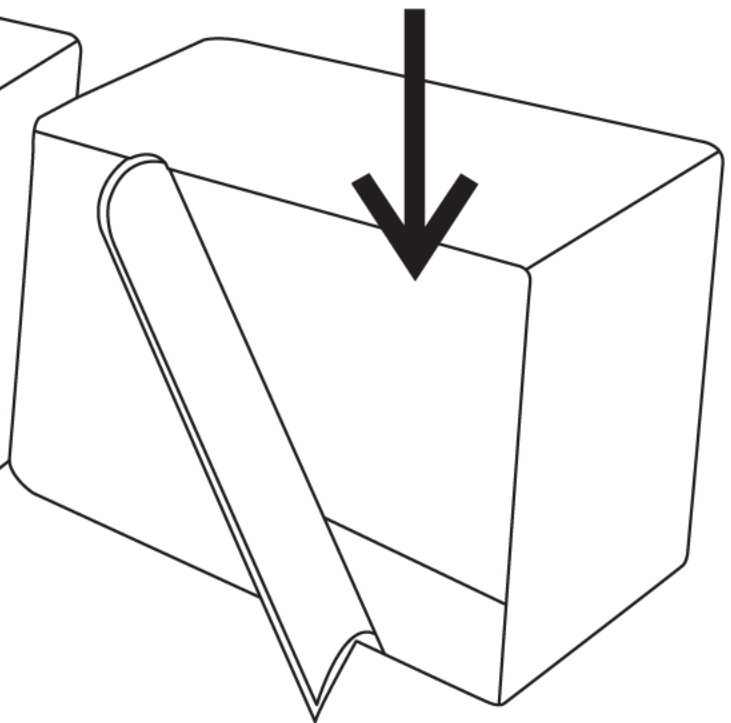
**Notes:** Sofa might be a little hard due to being compressed in package and long-time transport, but it will soften over time in use.

## Assembly Preparation

Arm inside

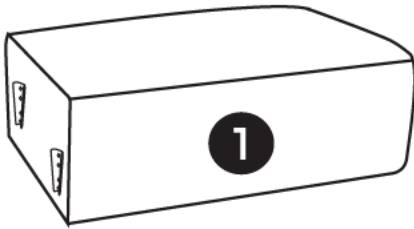


Arm inside

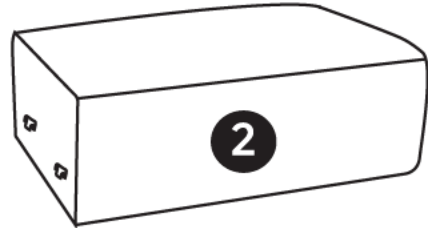


**Notes:** Carefully unpack parts/hardware from storage of seat body and place on a clean flat surface. Avoid using sharp objects such as a knife to open packing as you may accidentally damage the upholstery.

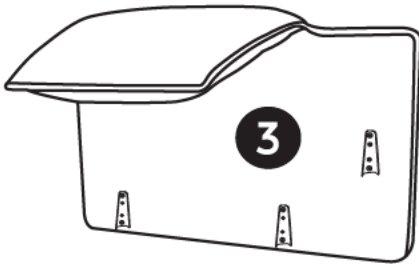
# Part List



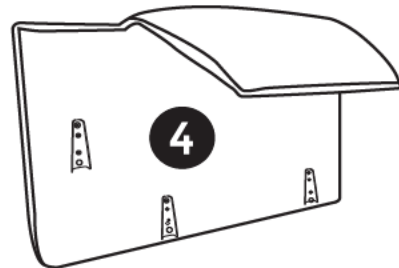
Sofa Body-L\*1



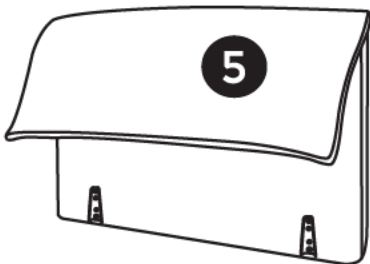
Sofa Body-R\*1



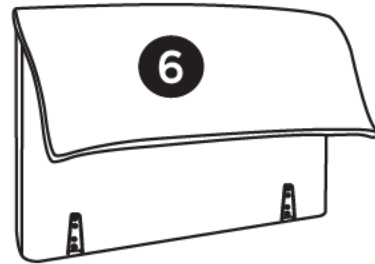
Left Arm\*1



Right Arm\*1



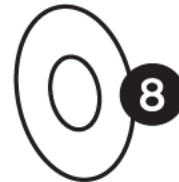
Backrest-L\*1



Backrest-R\*1



Bolt\*8



Washer\*8

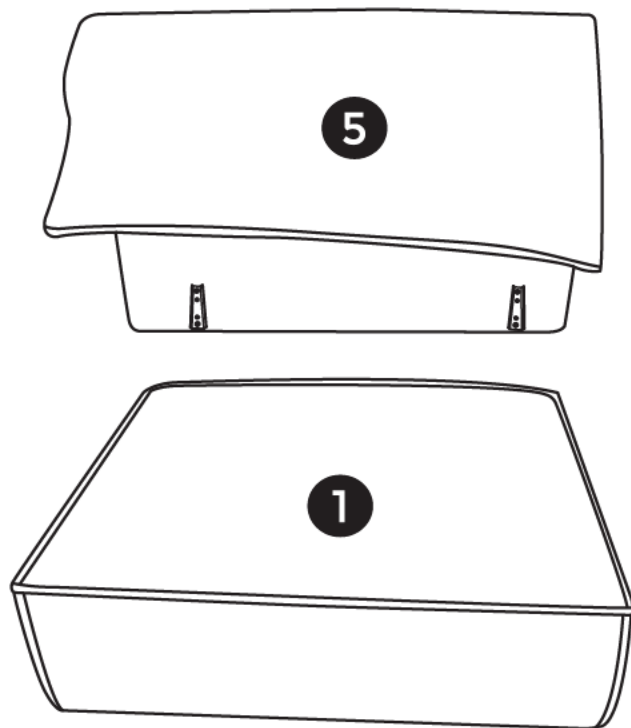


Leg\*8



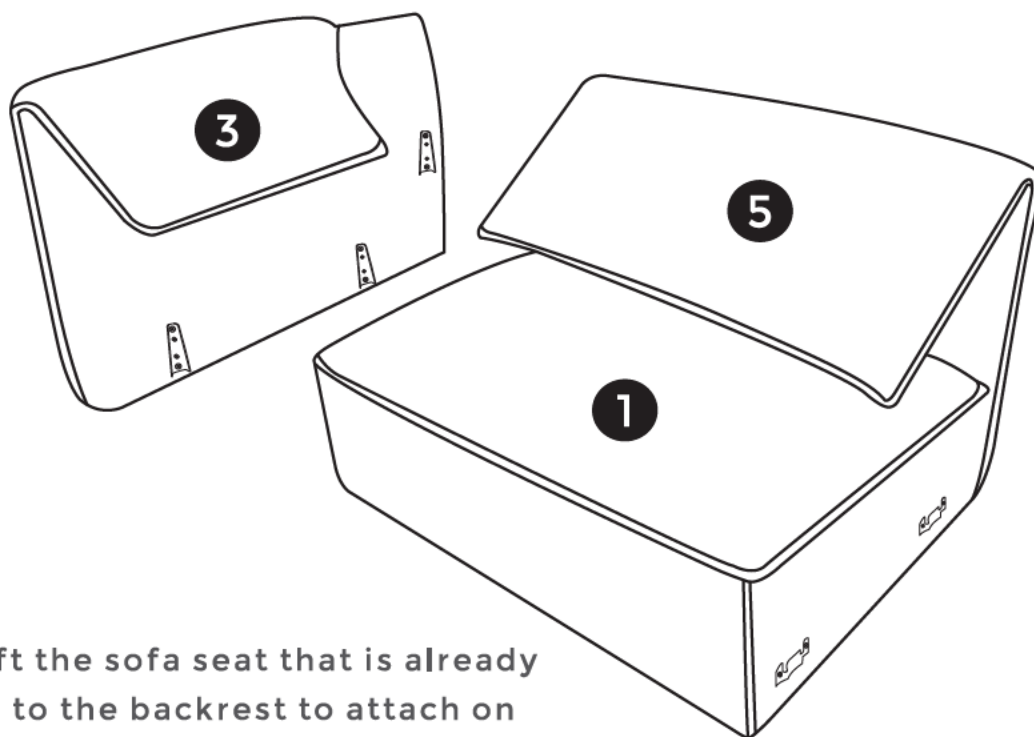
Allen key\*1

## Assembly Steps 1



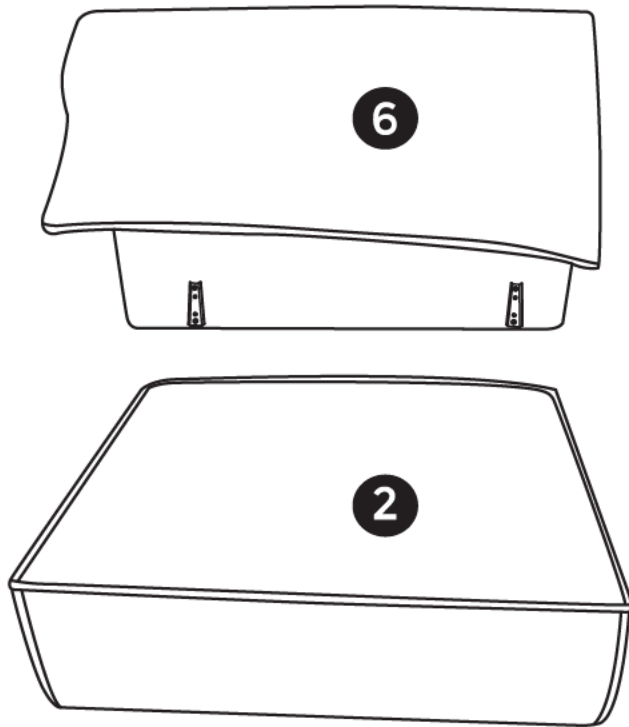
Please lift the sofa seat to attach it to the backrest. Not vice versa.

## Assembly Steps 2



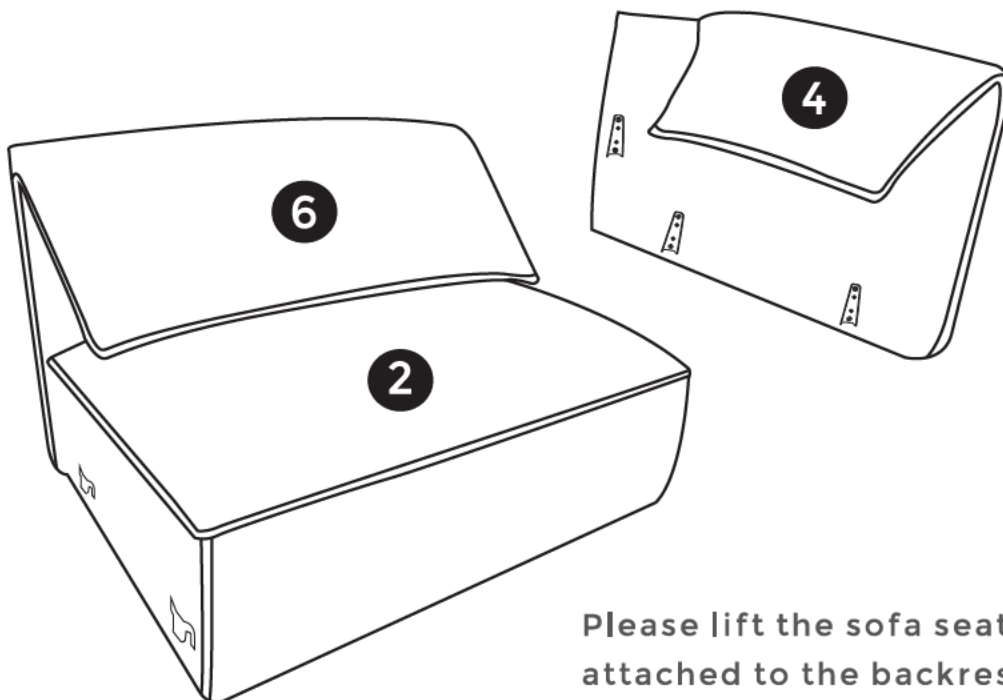
Please lift the sofa seat that is already attached to the backrest to attach on the armrest. Not vice versa.

## Assembly Steps 3



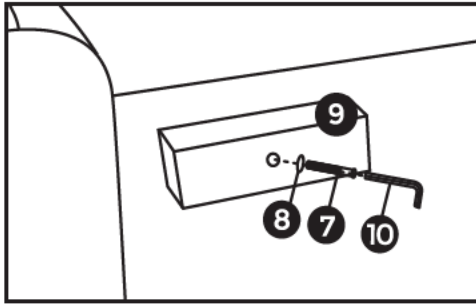
Please lift the sofa seat to attach it to the backrest. Not vice versa.

## Assembly Steps 4

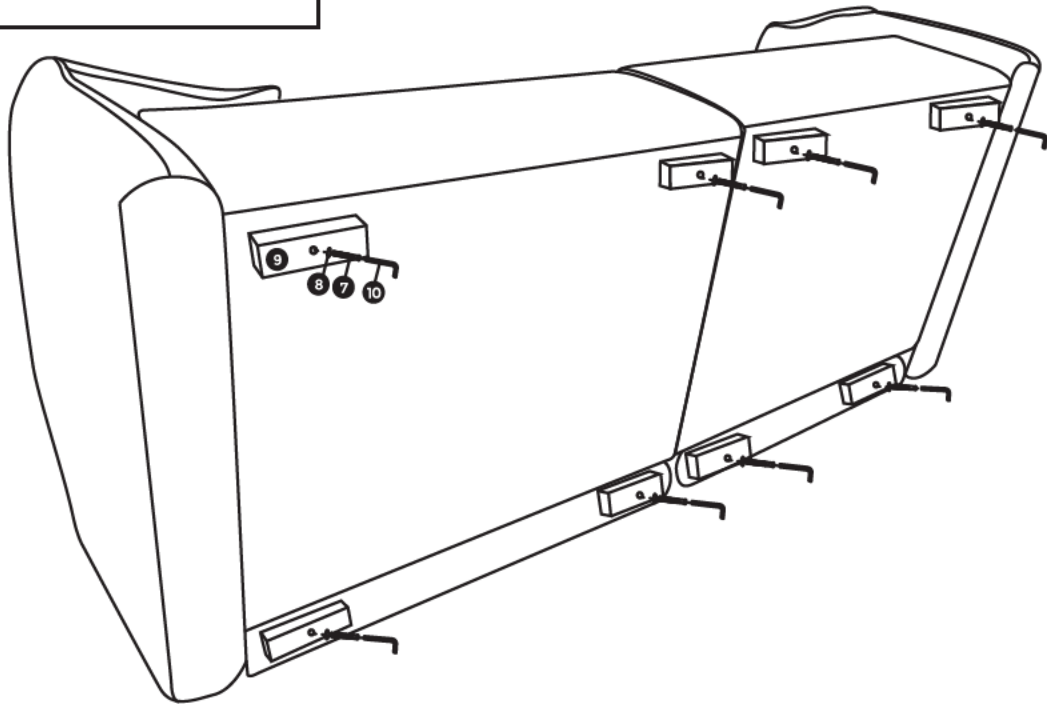


Please lift the sofa seat that is already attached to the backrest to attach on the armrest. Not vice versa.

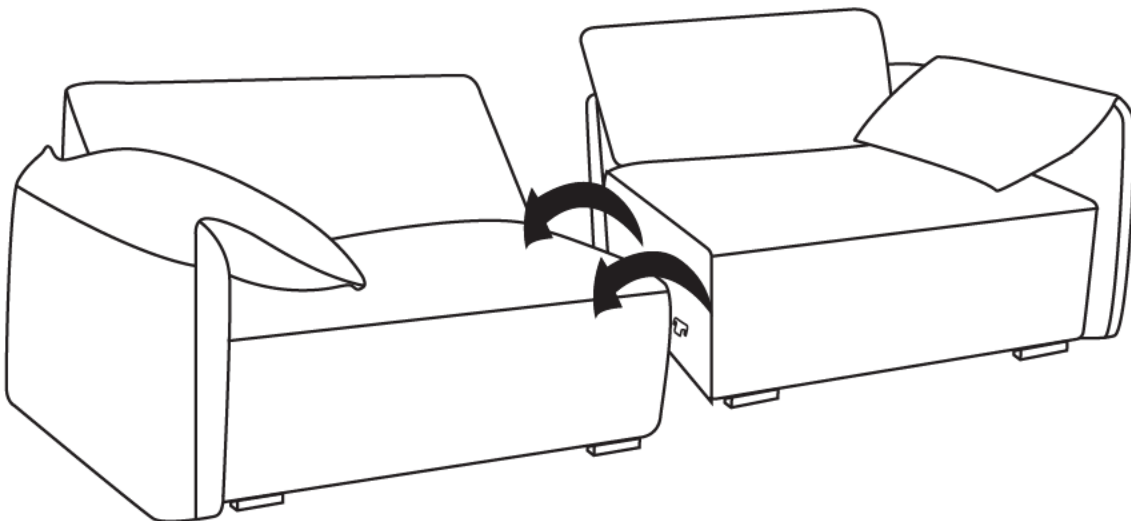
## Assembly Steps 5



Please use bolts (included in the hardware pack) to install sofa legs.



## Assembly Steps 6



---

# CARE & MAINTENANCE

---



**Do not put hot items directly on furniture surface.**



**Do not clean furniture with harsh cleansers or polish.**



**Dust and pick up spills using a clean, non-colored, lint-free cloth.**



**Stains may be removed with mild soap solution and a damp cloth.**



**Do not place furniture under direct sunlight.**



**Do not place furniture near heating or cooling vents.**



**Do not write on furniture without a passed barrier to protect the surface.**



**Do not place furniture outside, for indoor use only.**



**PROHIBIT jumping on it.**

---