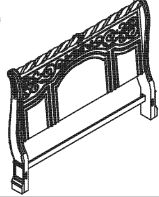
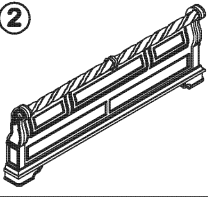
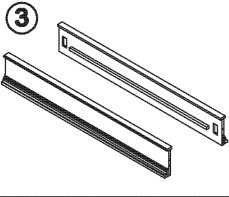
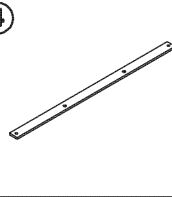
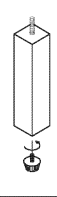


# ASSEMBLY INSTRUCTION






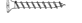
## DESCRIPTION: KING SLEIGH BED

Thank you for purchasing this quality product. Be sure to check all packing material carefully for small parts which may have some loose inside the carton during shipment. Identify and count all parts and compare with the parts List Below:

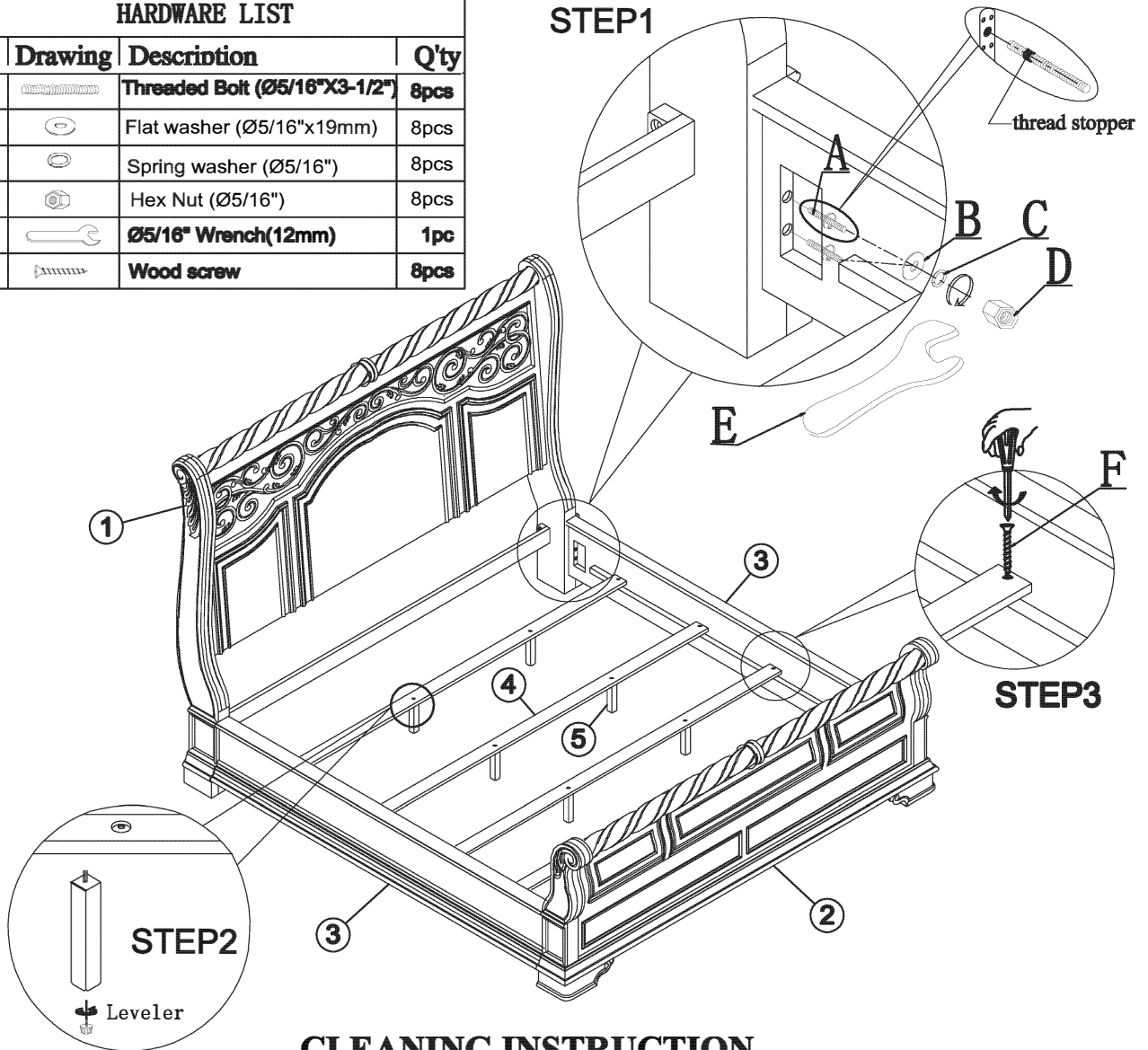
### PART LIST

<b>①</b> 	<b>②</b> 	<b>③</b> 	<b>④</b> 	<b>⑤</b> 
HEAD BOARD: 1PC	FOOT BOARD: 1PC	SIDE RAIL : 2PCS	SLATS : 4PCS	SUPPORT LEGS : 8PCS

### HARDWARE LIST

NO.	Drawing	Description	Q'ty
A		Threaded Bolt (Ø5/16"X3-1/2")	8pcs
B		Flat washer (Ø5/16"x19mm)	8pcs
C		Spring washer (Ø5/16")	8pcs
D		Hex Nut (Ø5/16")	8pcs
E		Ø5/16" Wrench(12mm)	1pc
F		Wood screw	8pcs

### STEP1



### CLEANING INSTRUCTION

Clean the Bed surface with a furniture polish and a soft cloth.