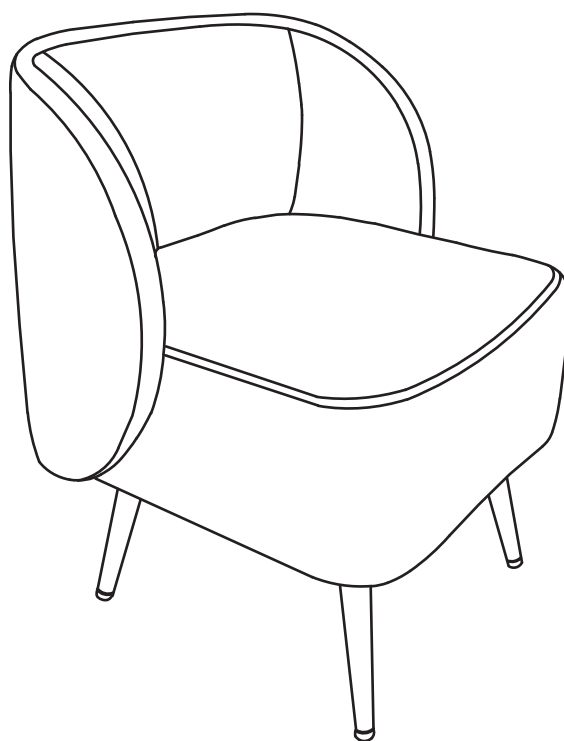
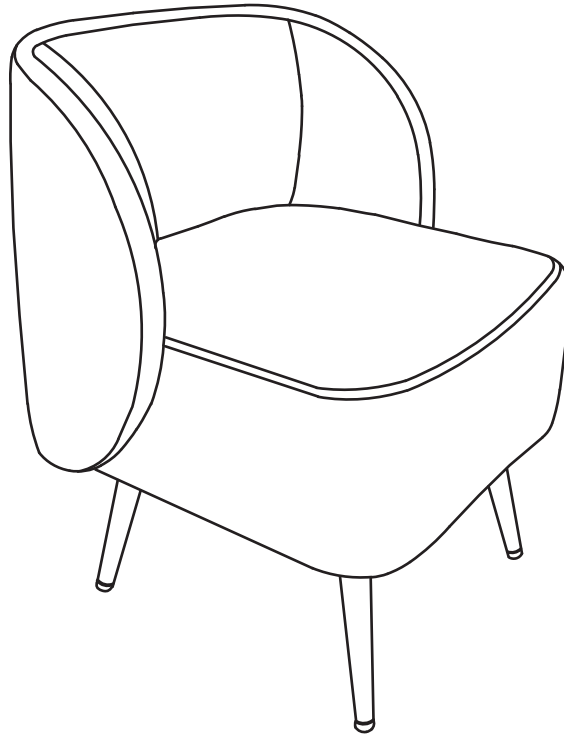


## VANITY CHAIR



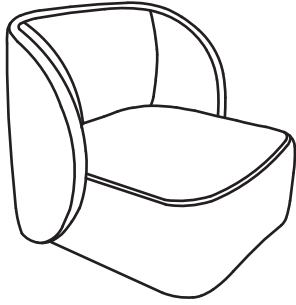
**Assembly Instructions - Important:**

Carefully unpack and identify each component before attempting to assemble. Refer to parts list. Please take care when assembling the unit and always set the parts on a clean, soft surface. If you require any assistance with assembly, parts or information on other products, please visit our website: [www.officestar.net](http://www.officestar.net) or call or write us.

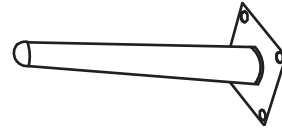


1. Do not use this product unless all screws and bolts are securely tightened.
2. Check that all screws and bolts are tight every three months or as needed.
3. Dispose of packing material properly. Do not use plastic cover as head covering. It may cause suffocation.
4. Do not use this product as a stepladder.
5. Use this product for its intended purpose only.
6. **FOR INDOOR RESIDENTIAL USE ONLY.**

## PARTS



(A) Chair Body (1 Pc)

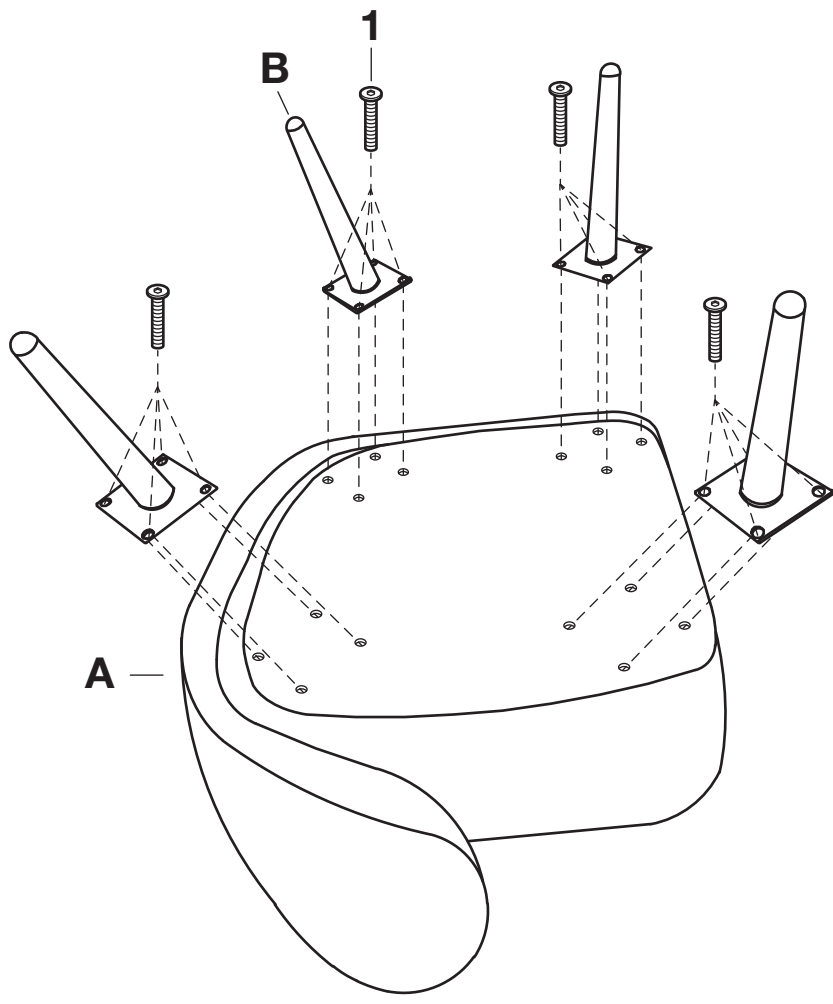


(B) Leg (4 Pcs)

## HARDWARE

NO	DRAWING	DESCRIPTION	SIZE	QUANTITY
1	A line drawing of an Allen Bolt, showing a hexagonal head and a threaded shaft.	Allen Bolt	N/A	16 Pcs
2	A line drawing of an Allen Key, showing a hexagonal head and a long shaft.	Allen Key	N/A	1 Pc

**STEP 1**



**FULLY TIGHTEN ALL BOLTS.**