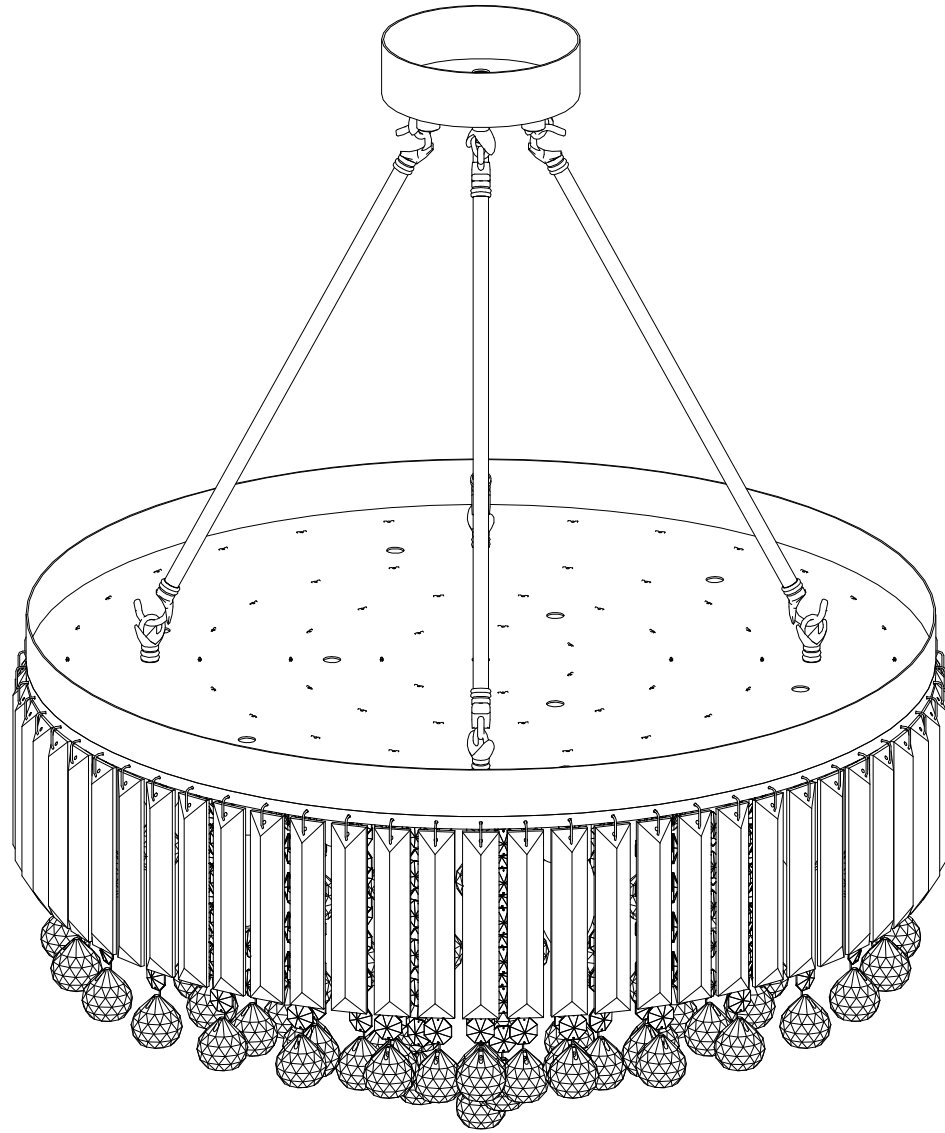


outline drawing:



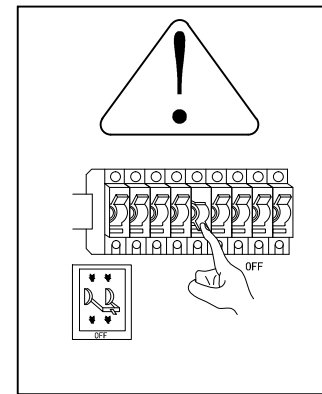
model:

Technical data: Power supply voltage 110-120V, bulb type E12Max40Wx9PCS (not included)

CAUTION



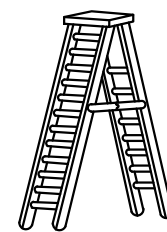
- Before installing the lighting fixtures, please check the insulation of the wires for any cuts, wear, or possible damage during transportation. If the wires are defective, do not attempt installation .
- In some countries, electrical installation work can only be carried out by authorized electrical contractors. Please contact the local power department for advice.



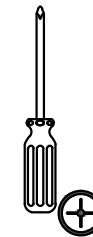
IMPORTANT Before starting the installation work, please make sure to cut off the power supply to the circuit.

IMPORTANT Keep children away from the installation process .

Required tools (not included):



Ladder



Phillips screwdriver



pincers

Required tools (including):

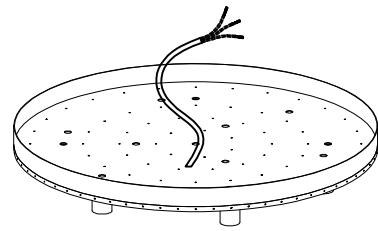


expansion screws



glove

The hardware kit provides:



Plate, Lights



CONNECTORS



Installation board



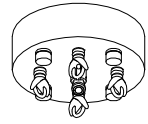
Installation board



mounting screw



Hanging plate screws



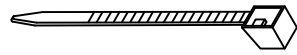
Disc+closing ring



Closed loop



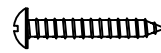
bar



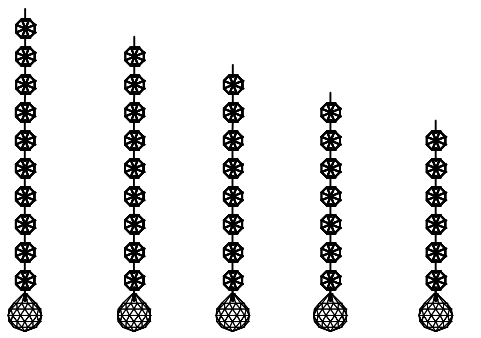
cable tie



Gecko rubber stopper



Self tapping screws



1pcs 7pcs 14pcs 20pcs 28pcs

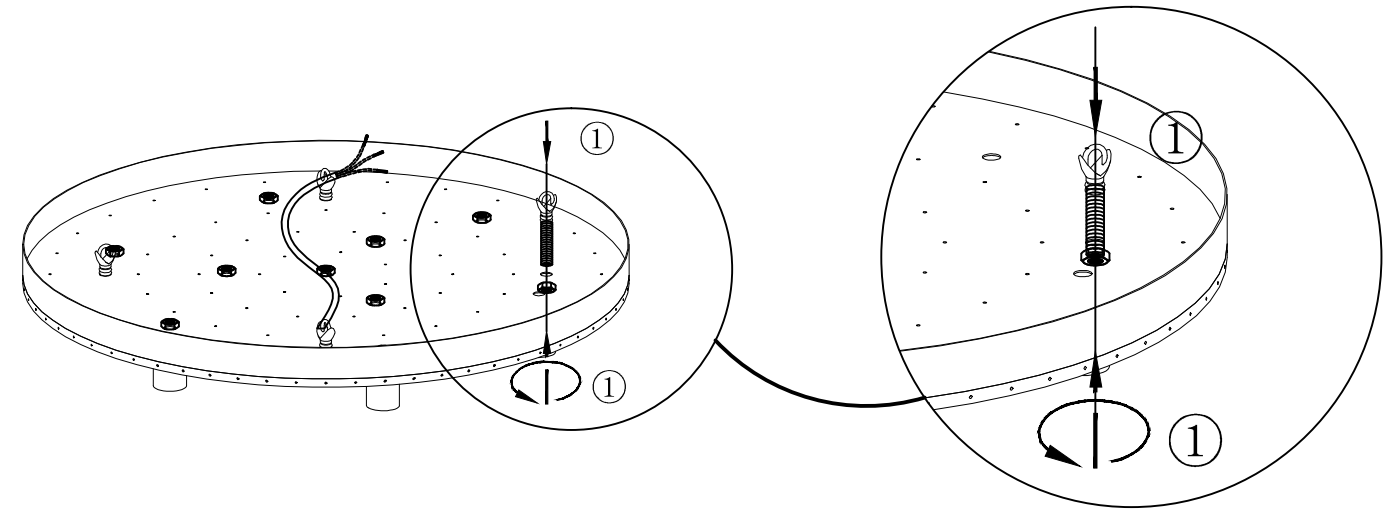
Octagonal beads+crystal balls



Long crystal strip-64pcs

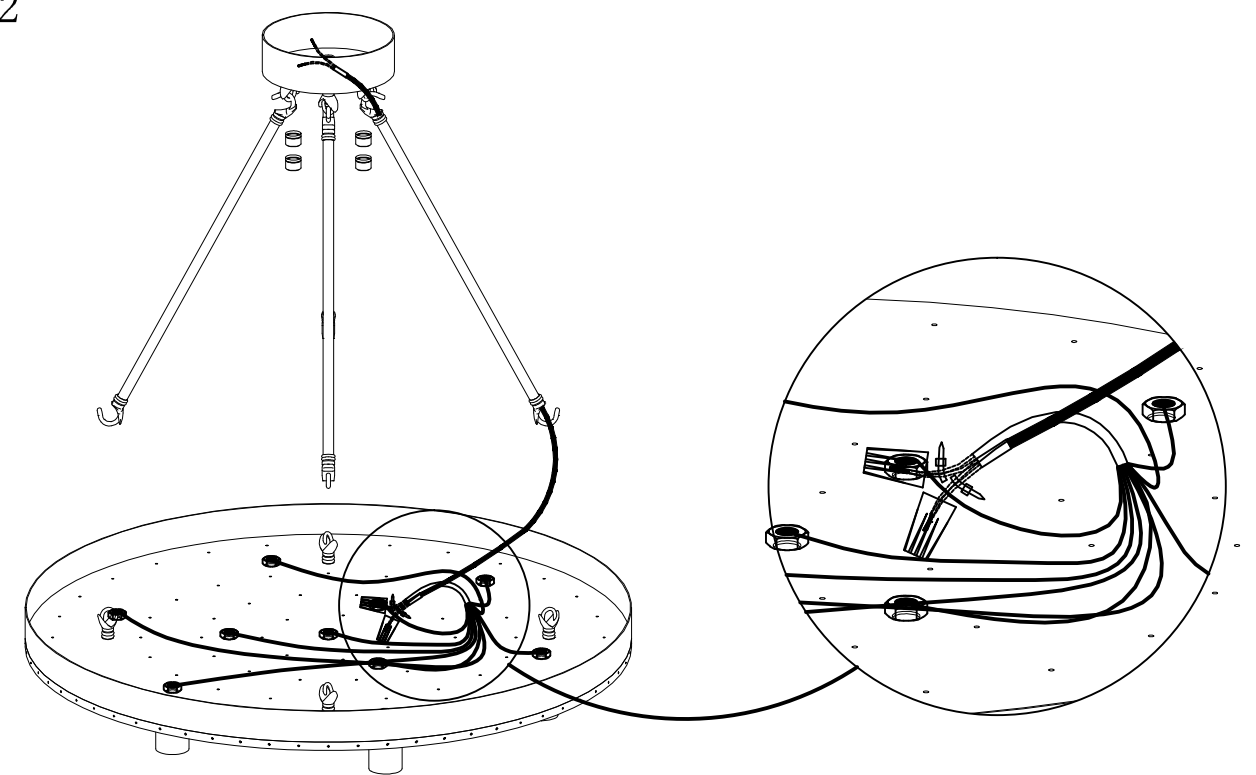
• The components displayed on each lamp may vary slightly

step 1



① Thread the dental canal on the closed ring through the disc and connect it tightly with the nut.

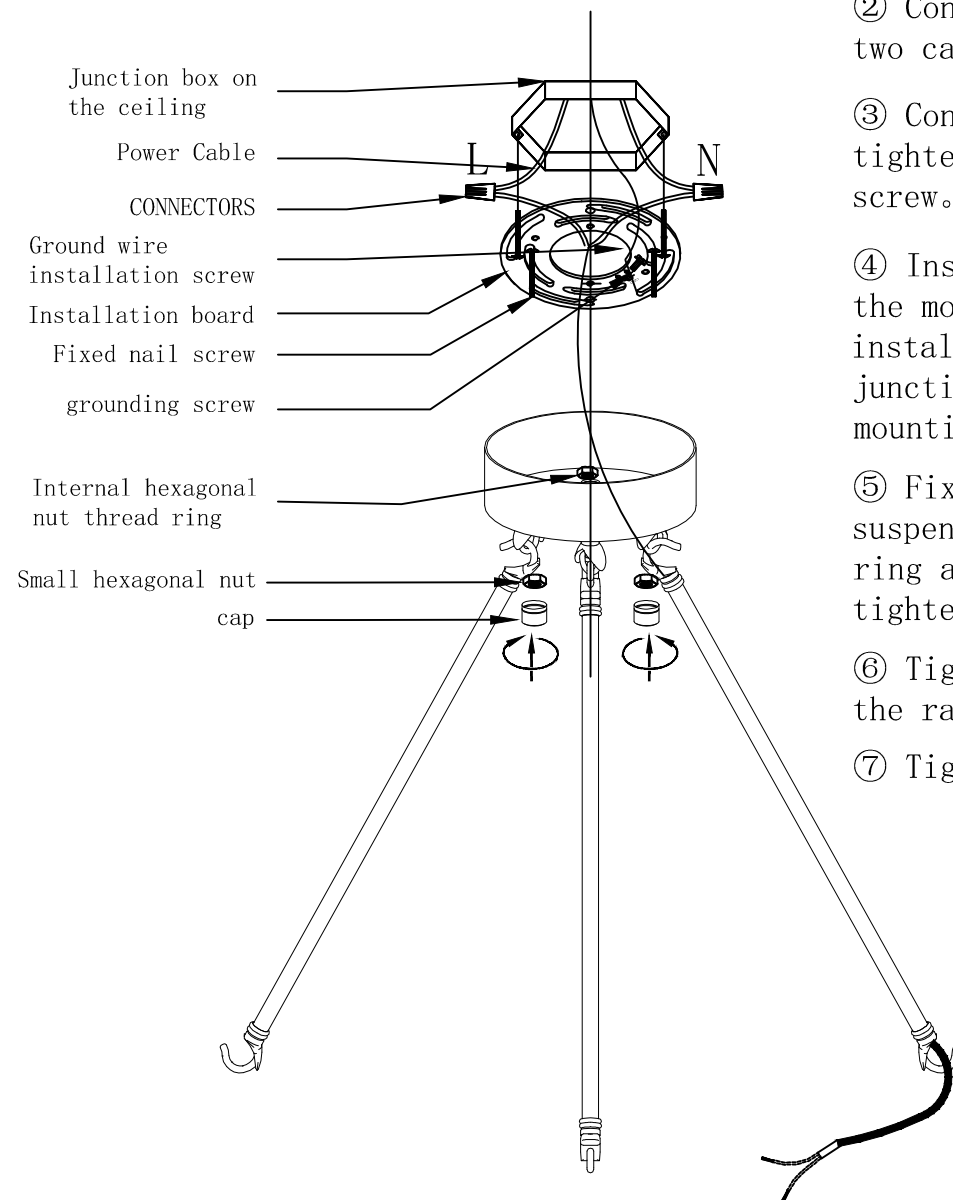
step 2



① Use two zip ties to tie wires of the same color together.

② Two cable connectors are used to connect wires of the same color, black to black and white to white.

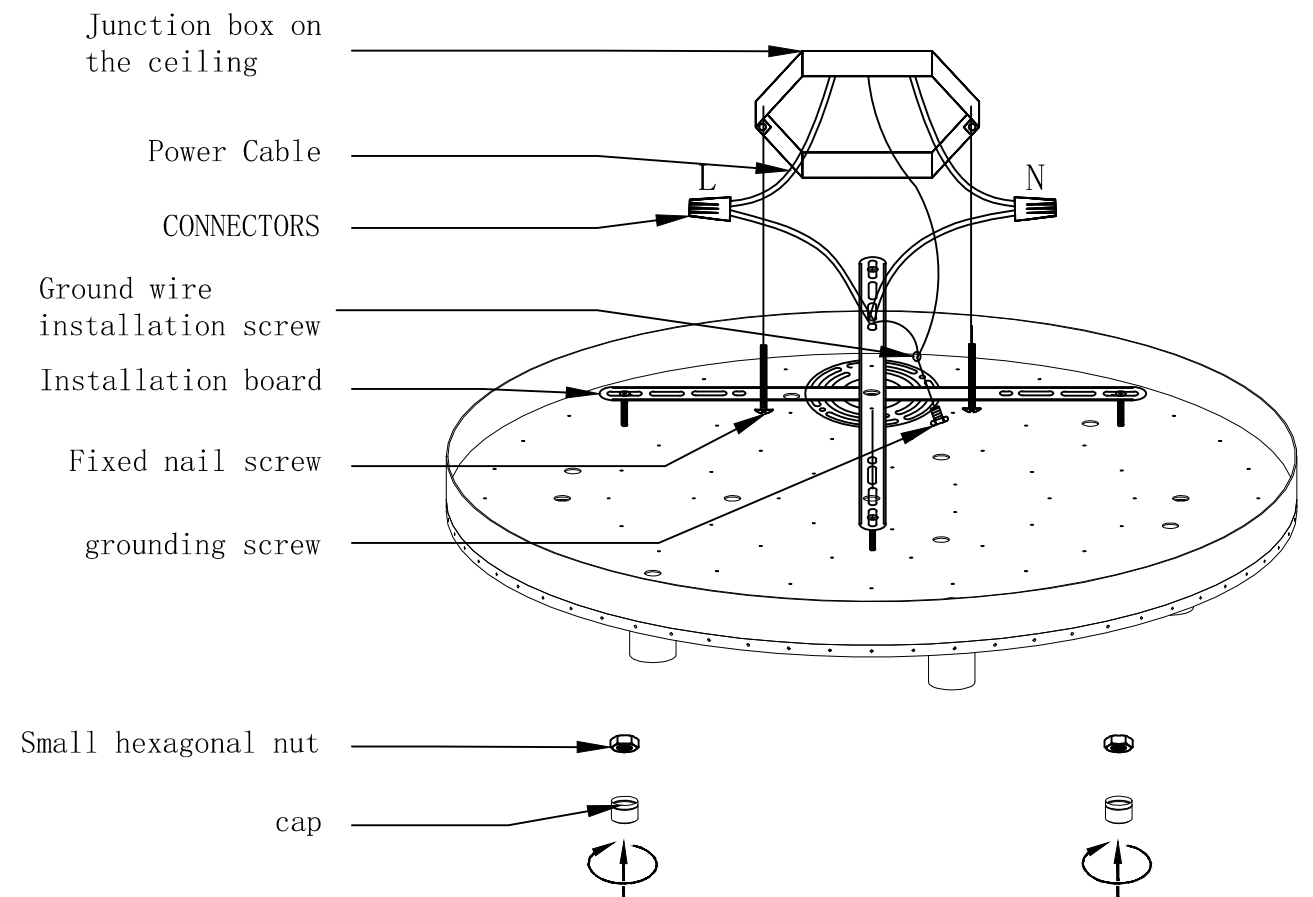
Step 3 Semi suction installation method:



- ① Thread all the wires through the canopy and installation kit.
- ② Connect the power cable with two cable connectors.
- ③ Connect the grounding wire and tighten it with the grounding screw.
- ④ Install the fixing screws into the mounting plate, install the installation unit under the junction box, and tighten with two mounting screws.
- ⑤ Fix the canopy in place using a suspension ring. Tighten the screw ring and hex nut with a wrench to tighten the hex nut.
- ⑥ Tighten the fixing screws on the rain shelter holes.
- ⑦ Tighten the cap tightly.

Step 4

Top suction installation method:

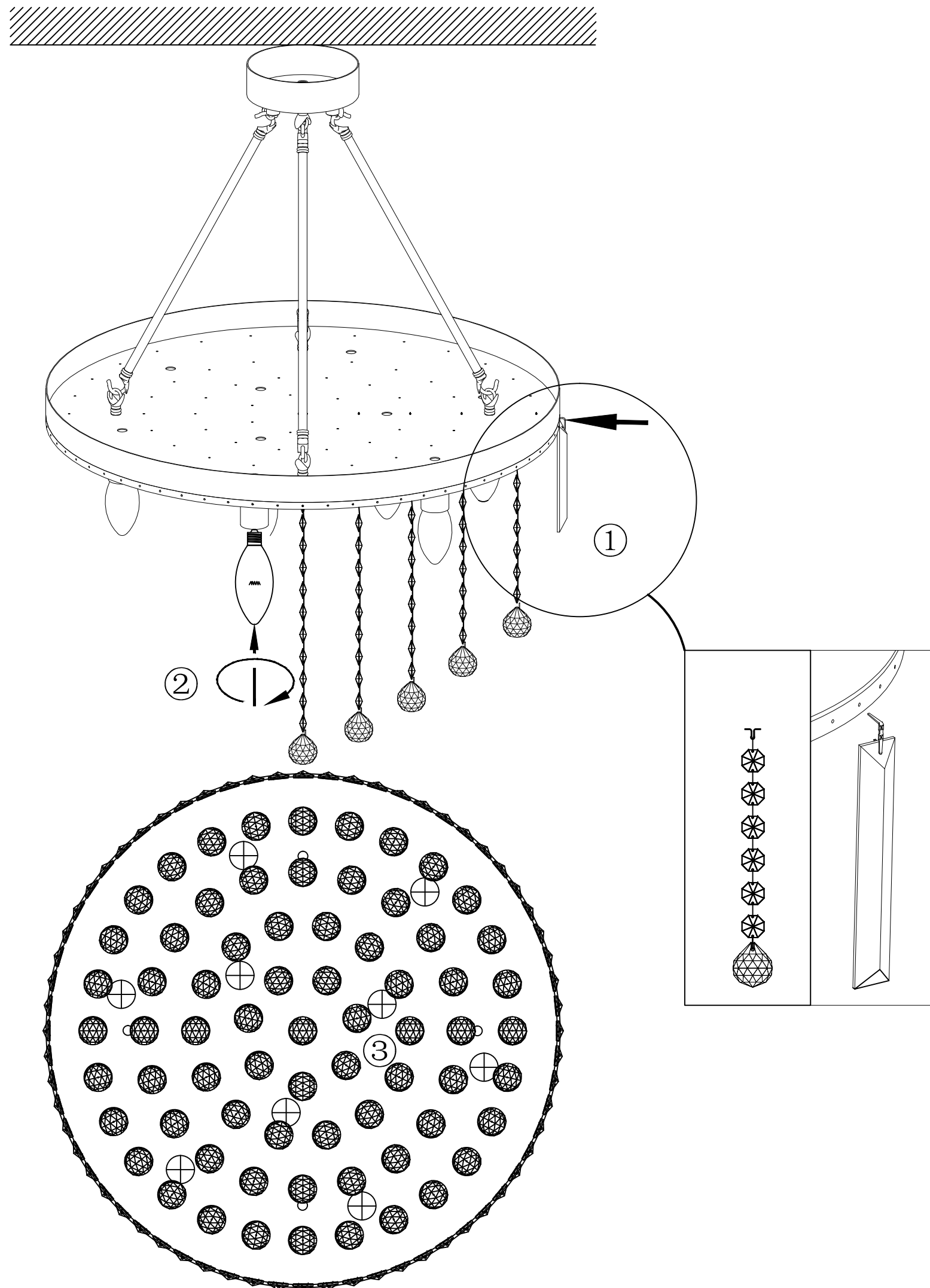


- ① Thread all the wires through the canopy and installation kit.
- ② Connect the power cable with two cable connectors.
- ③ Connect the grounding wire and tighten it with the grounding screw.
- ④ Install the fixing screws into the mounting plate, install the installation unit under the junction box, and tighten with two mounting screws.
- ⑤ Tighten the fixing screws on the rain shelter holes.
- ⑥ Tighten the cap tightly.

Connect the black or red wire (with an L sticker on the wire) to:	Connect the white wire (with N stickers on the wire) to:
black	white
Parallel lines - ptl&l (circular and smooth)	Parallel lines - spri&l (square and ridge shaped)
Transparent, brown, gold or black (without tracer)	Transparent, brown, gold or black (with tracer)
Copper core insulated wire (excluding GREEN)	Silver conductor insulated wire (excluding GREEN)

Step 5

Kind reminder: Before installing the crystal, please clean it thoroughly .



① Thread the hanging needle through the long crystal hole and hang it on the circular hole, and hang the octagonal bead and crystal ball on the small hole of the fork needle in the plate.

② Tighten the light bulb (E12 maximum 40W, not included).

③ Hang the crystal ball from the inside out, with a string of 10 octagonal beads and crystal balls in the middle. In the first circle, hang 7 strings of 9 octagonal beads and crystal balls. In the second circle, hang 14 strings of 8 octagonal beads and crystal balls. In the third circle, hang 20 strings of 7 octagonal beads and crystal balls. In the fourth circle, hang 28 strings of 6 octagonal beads and crystal balls.