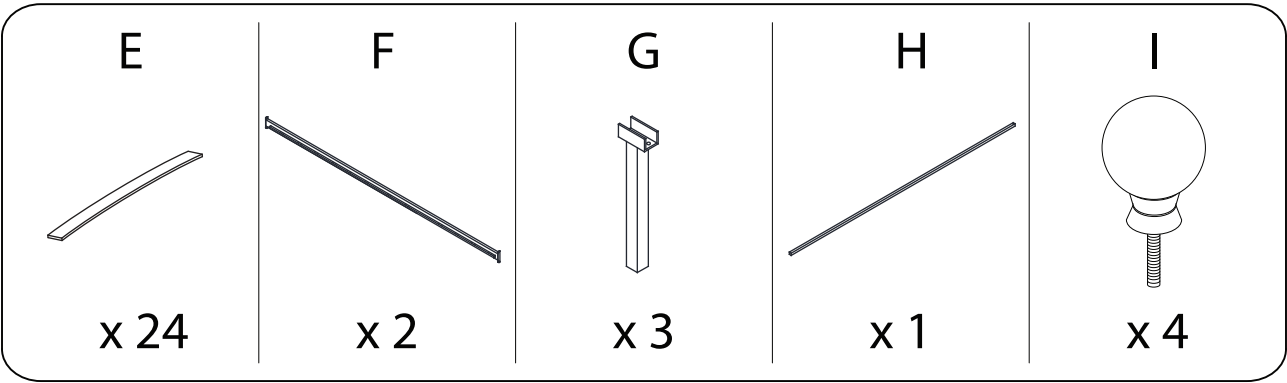
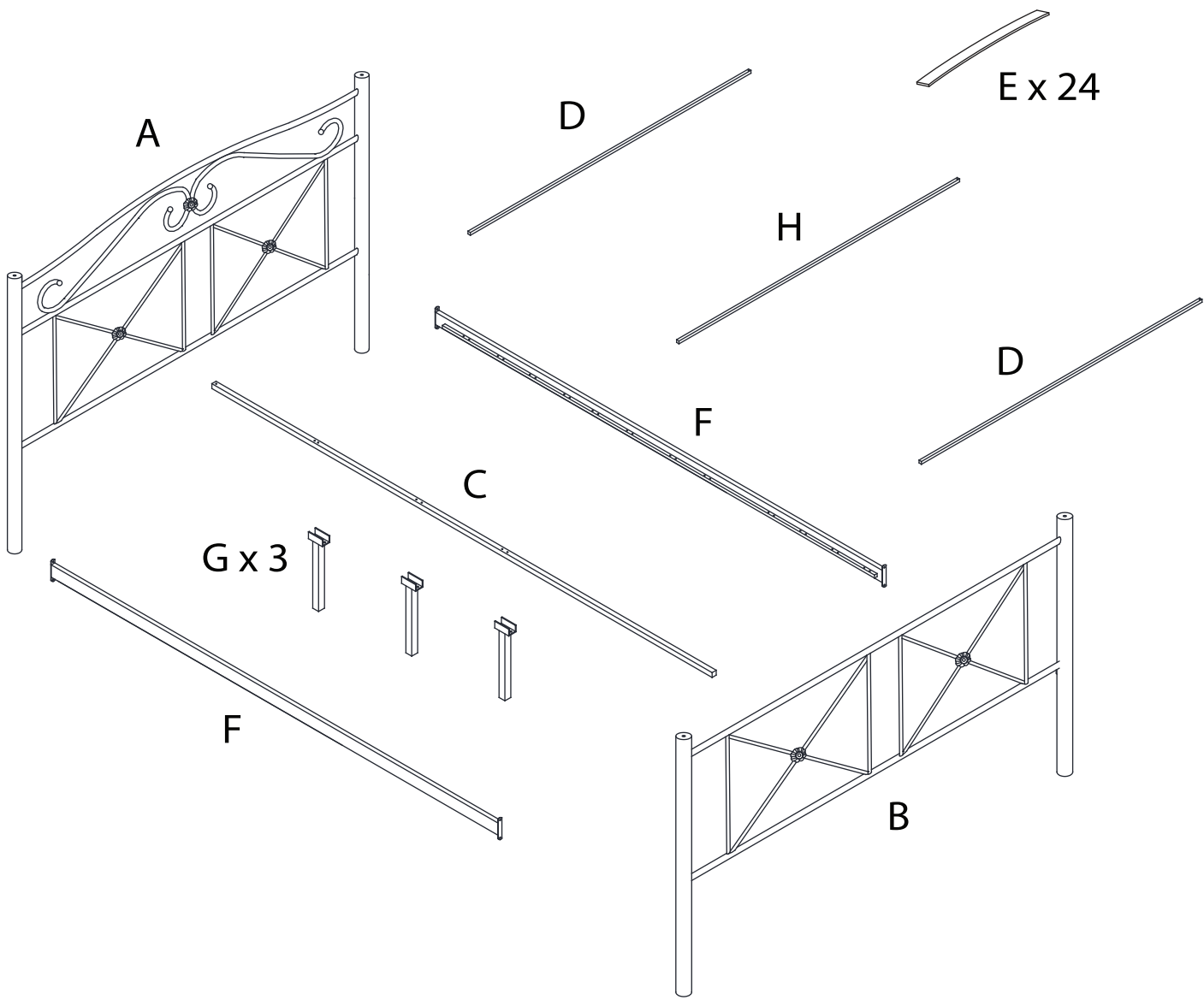
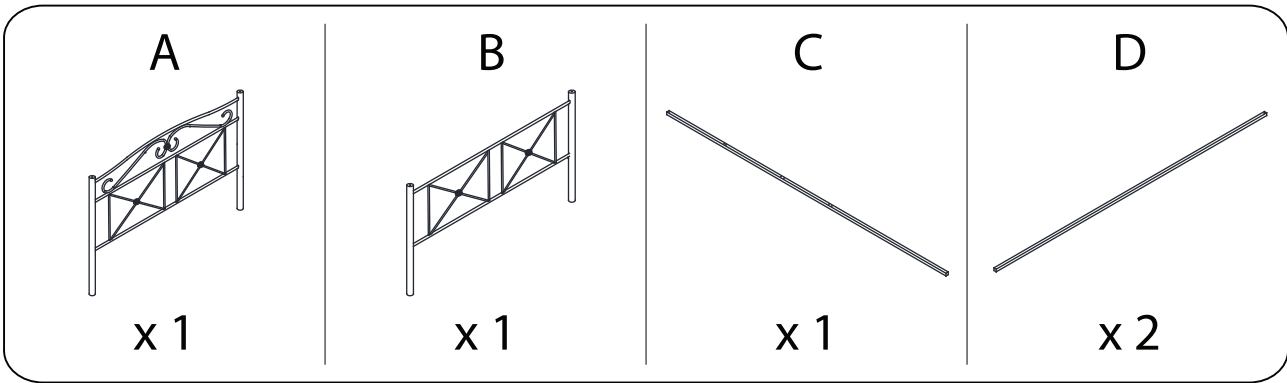
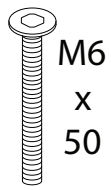
		
		2

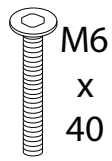


J



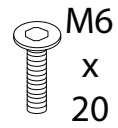
x 6

K



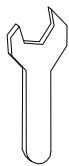
x 9

L



x 12

M



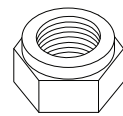
x 1

N



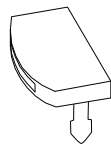
x 1

O



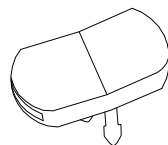
x 12

P



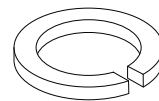
x 24

Q



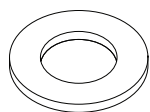
x 12

R



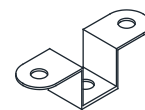
x 8

S



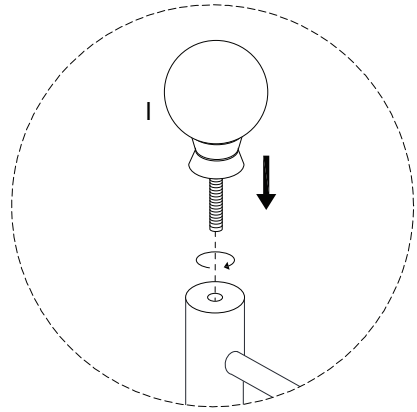
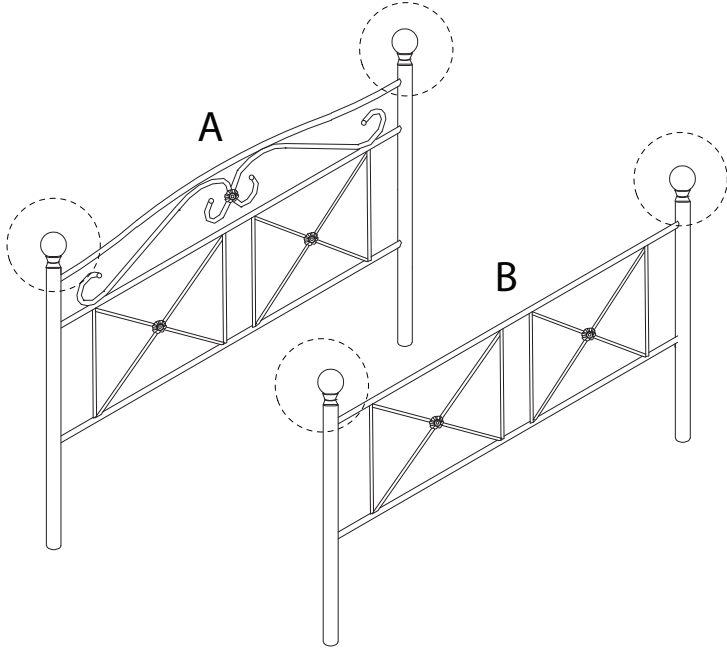
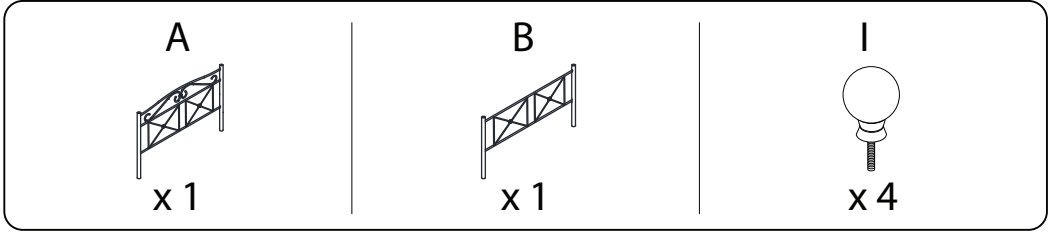
x 27

T

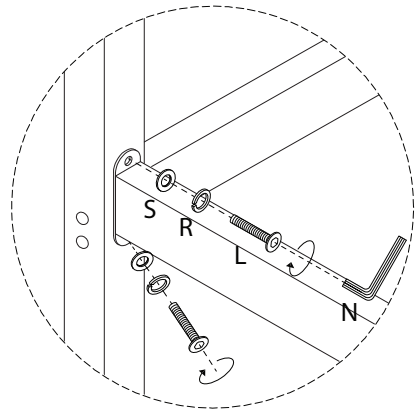
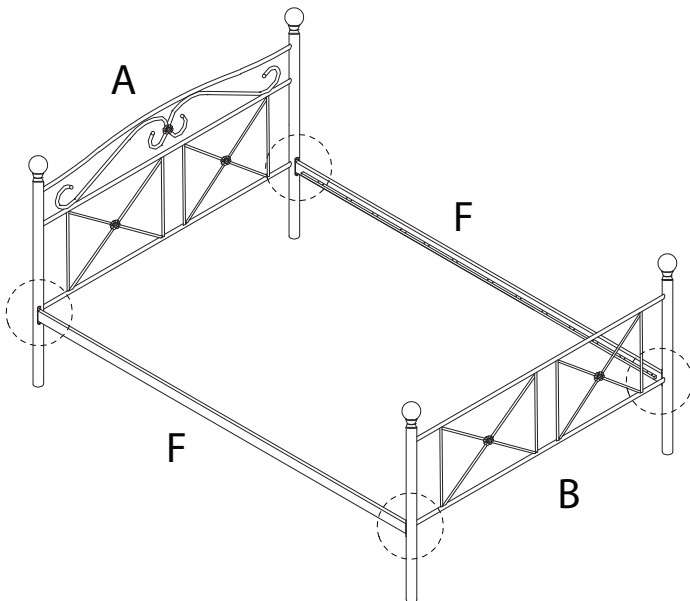
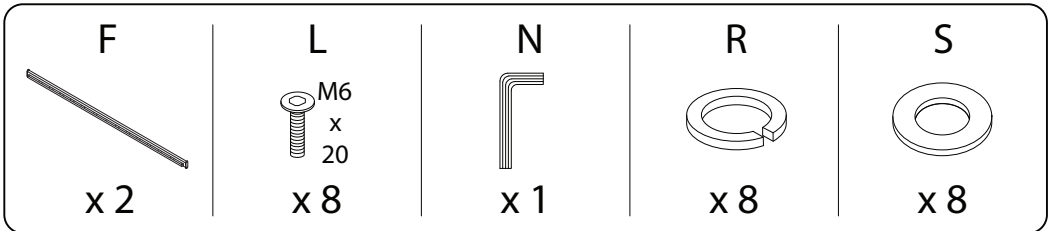


x 2

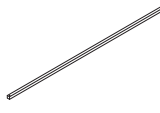
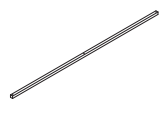
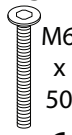

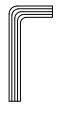
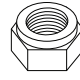
1

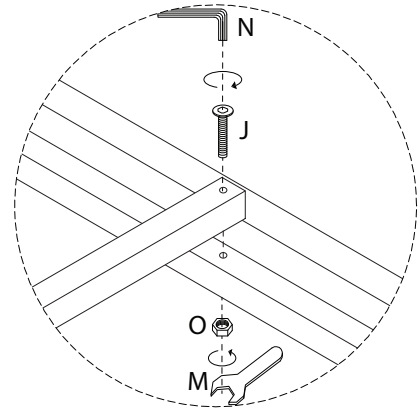
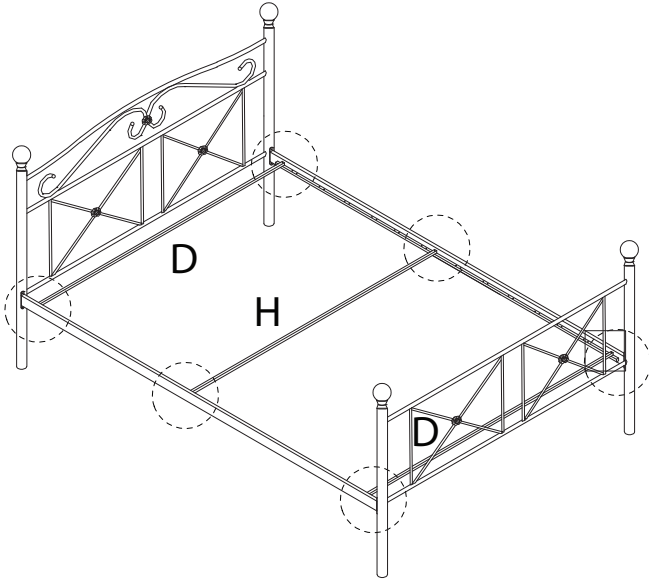


2

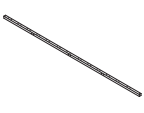

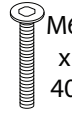

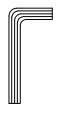
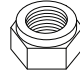



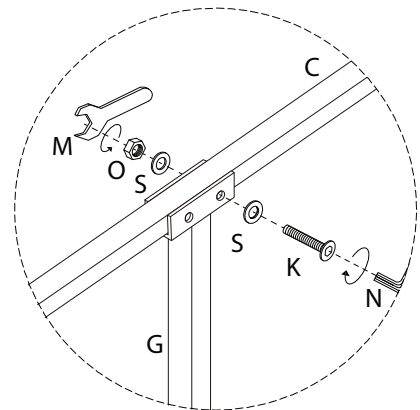
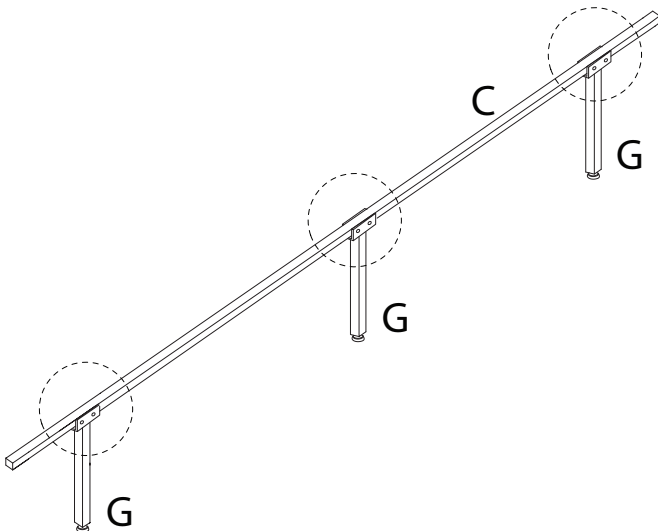
3

D	H	J	M	N	O
					
x2	x1	x6	x1	x1	x6

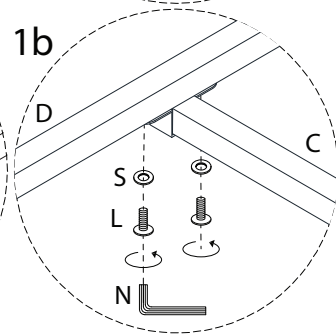
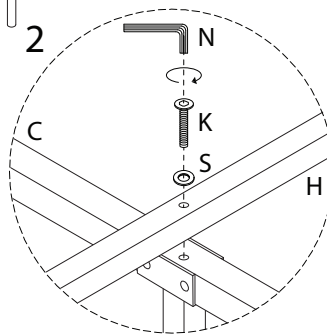
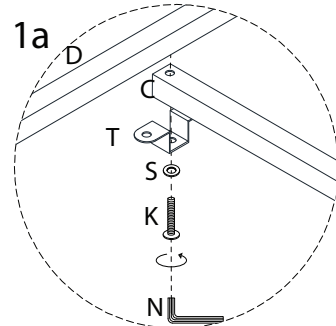
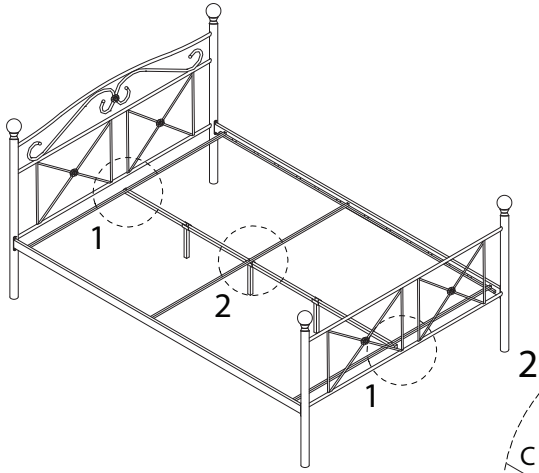
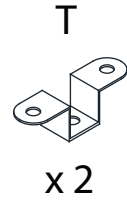
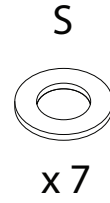
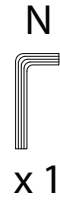
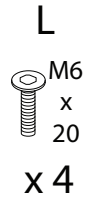
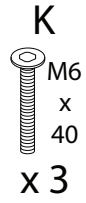


4

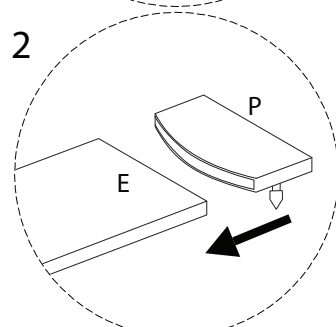
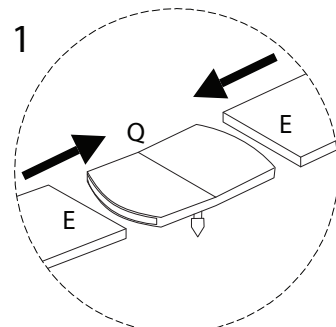
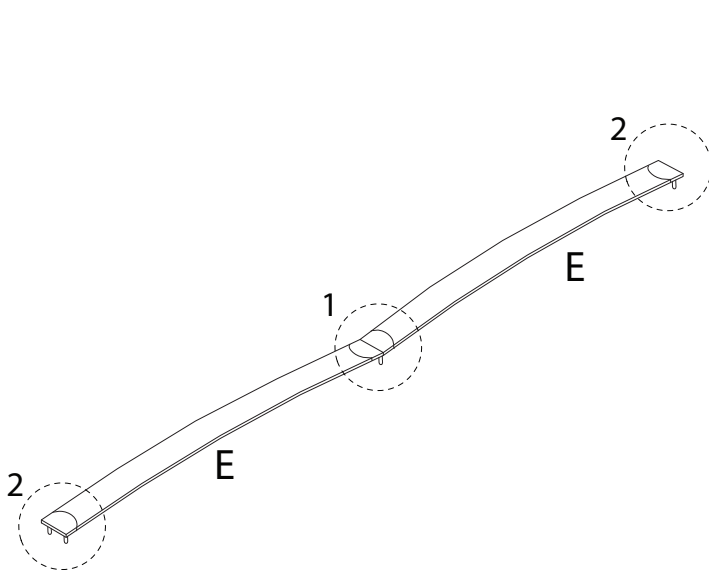
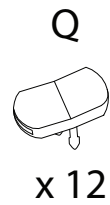
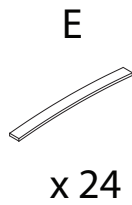
C	G	K	M	N	O	S
						
x1	x3	x6	x1	x1	x6	x12



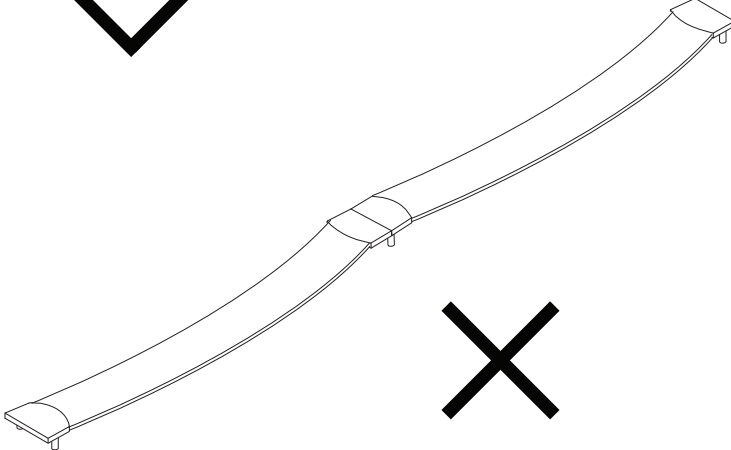
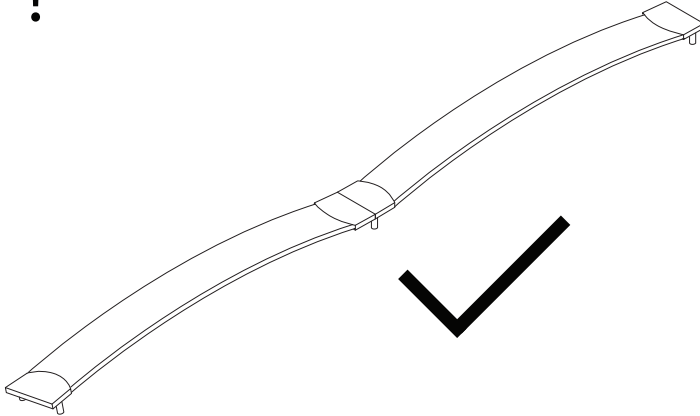
5



6



!



7

