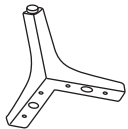


# ASSEMBLY INSTRUCTIONS

Ax1



Bx4



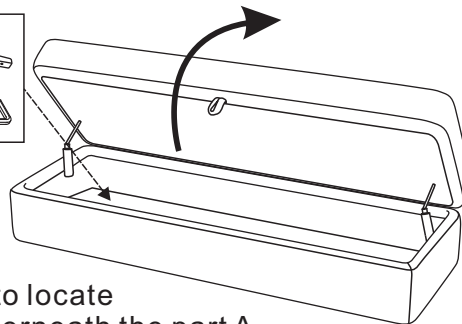
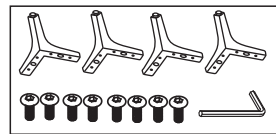
Cx8



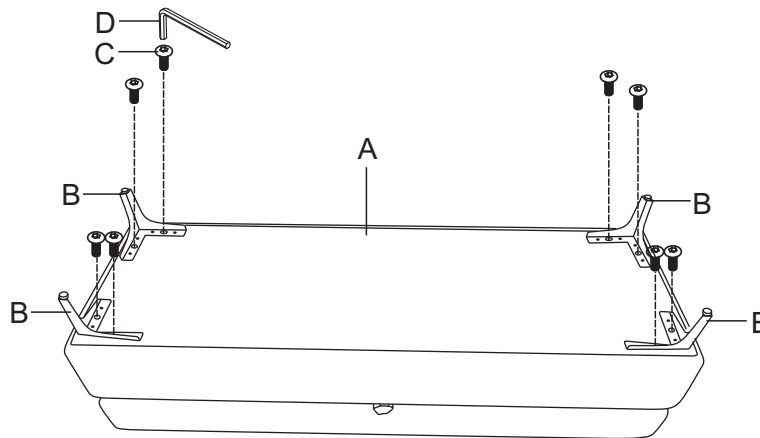
Dx1



1



You will be able to locate part B, C & D underneath the part A.



2

