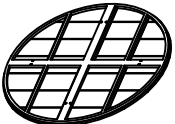
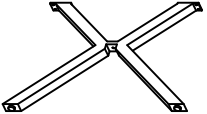
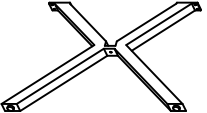
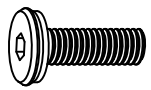
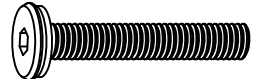
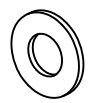



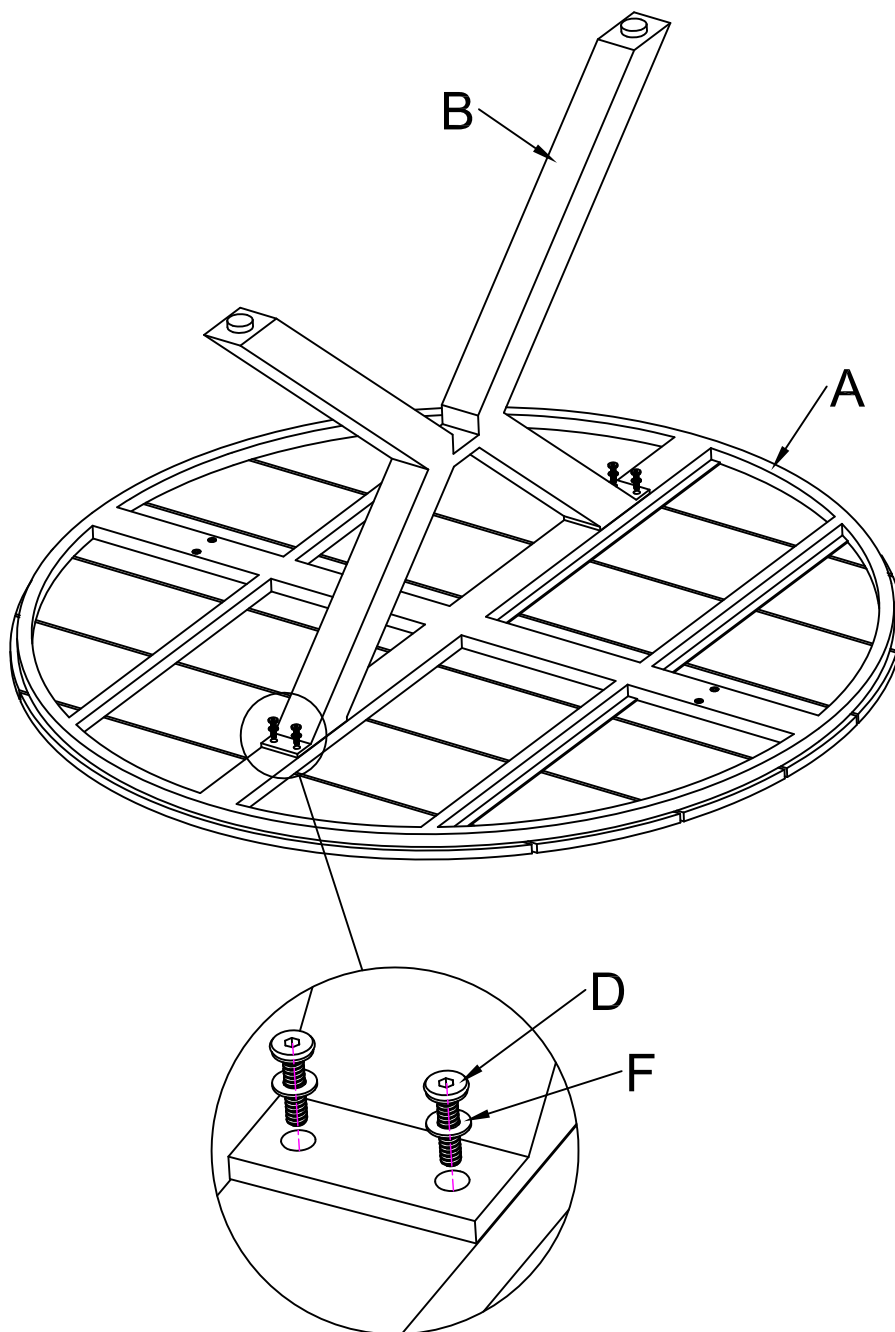
ASSEMBLING INSTRUCTION

A		1pc
B		1pc
C		1pc
D	 M6*20	8pcs

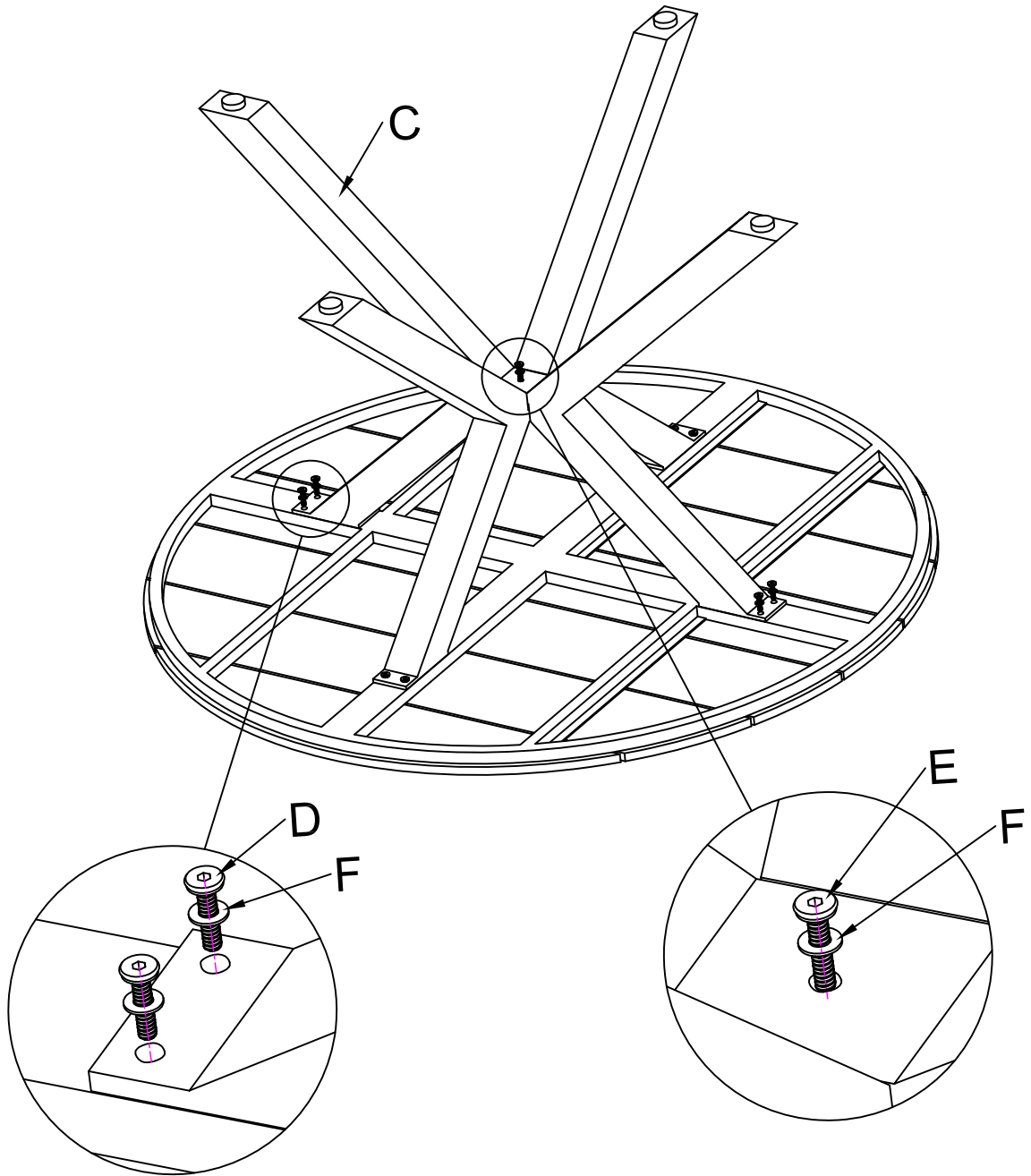
E	 M6*45	1pc
F	 Ø6mm	9pcs
G		1pc

Note: first screw all bolts in by hand, before tightening.

①



2



3

