

36" VANITY

Sink sold separately

Wall Mount Vanity

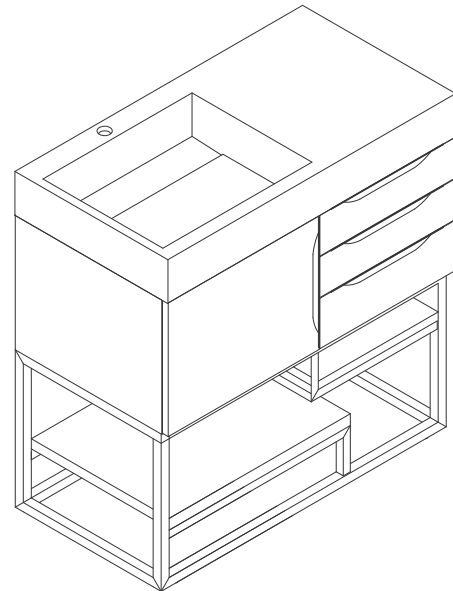
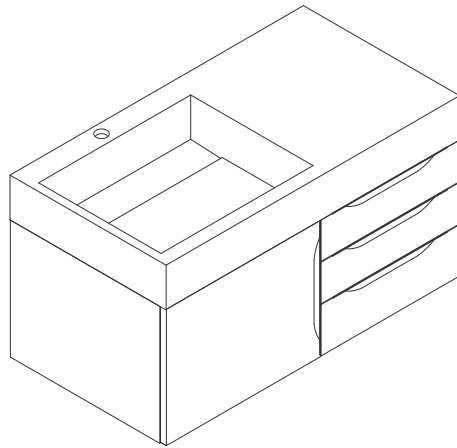
Dimension-Wall Mount

Width: 35-1/8"
Depth: 18-3/4"
Height: 14-3/8"
Rough-In Height: 23-1/2"

Vanity with Base

Dimensions with Base

Width: 35-1/8"
Depth: 18-3/4"
Height: 30-7/8"
Rough-In Height: 23-1/2"



Features and Materials

Solids: Yellow Poplar

Metal Base Material: 304 Stainless Steel

Metal Base/Hardware Finish: Brushed Nickel/Matte Black/Radiant Gold

Hardware Finish: Brushed Nickel, Matte Black, Radiant Gold

Veneers: AGR-Engineered Ash; LTO-Red Oak

Panels: Plywood

Installation Type: Wall Mounted and Floor Mounted Available

Number of Doors: One

Number of Drawers: Three, Full Extension, Soft Close Glides, Aluminum Laminate Drawer Liners

European Soft Close Hinges

USB/Power Component: YES

Cord Length: 6'6"

Bamboo Storage Tray: YES

Drawer Box Material and Construction:

12mm Plywood/English Dovetail Joinery

Number of Basins: One, Integrated Sinktop

Sinktop Included: NO, Sold Separately

Basin Overflow: NO

Faucet Type: Single Hole

Fits Drain Hole Size: 1-3/4"

Assembly Required: YES

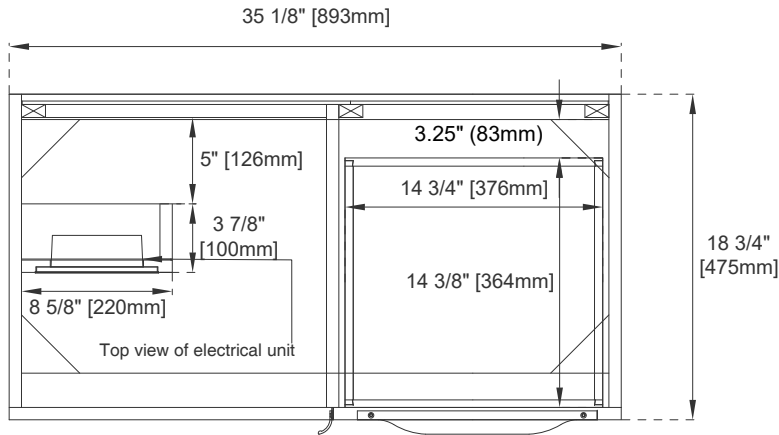
Assembly Type: Pulls require installation (ships in a separate carton)

Assembly Type: Optional base requires assembly to the vanity

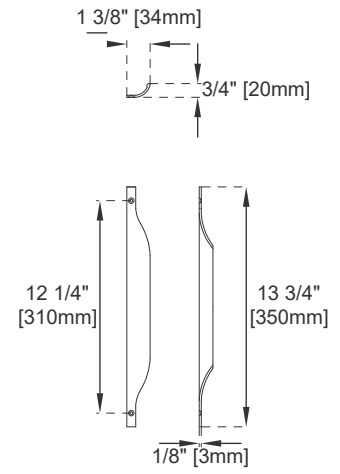
Assembly Type: Shelves for the base (ships in a separate carton)

36" VANITY

Sink sold separately

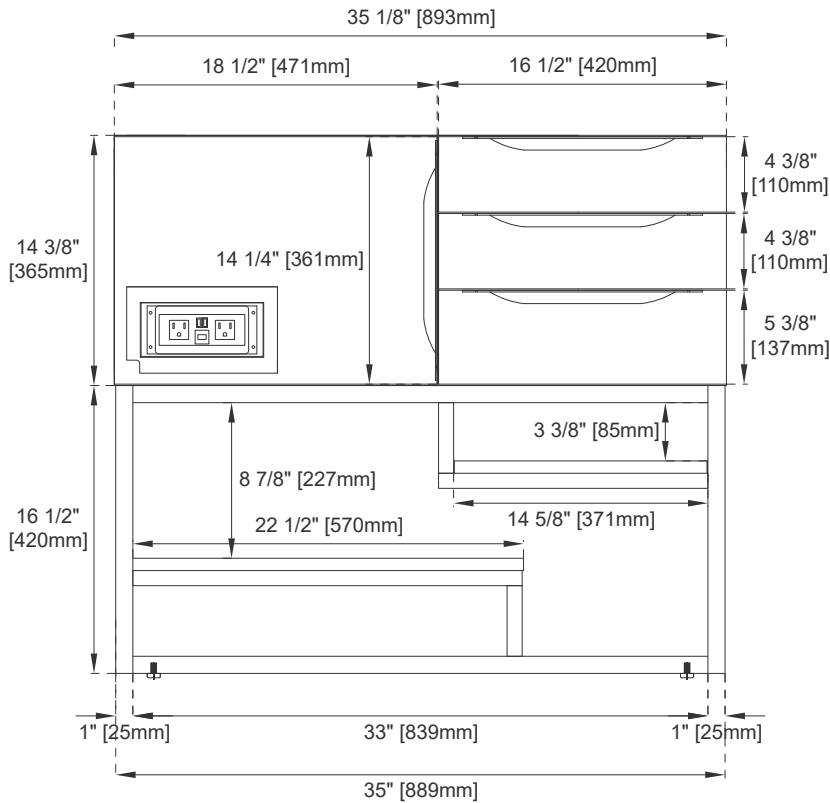


Top View

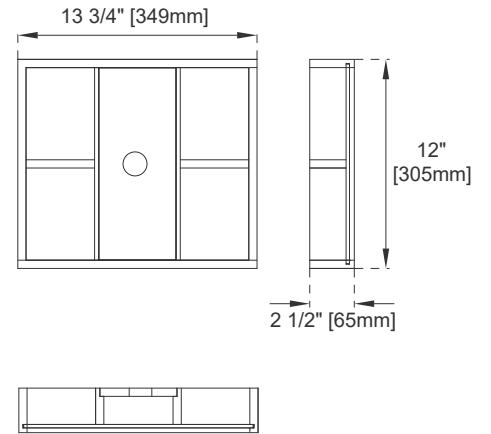


PLEASE NOTE:
All pulls ship in a
separate carton

Pull



Front View

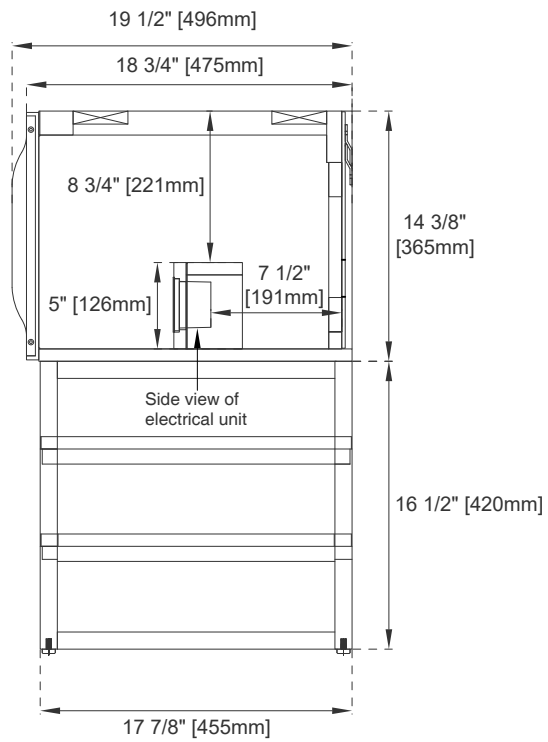


Bamboo Drawer Organizer

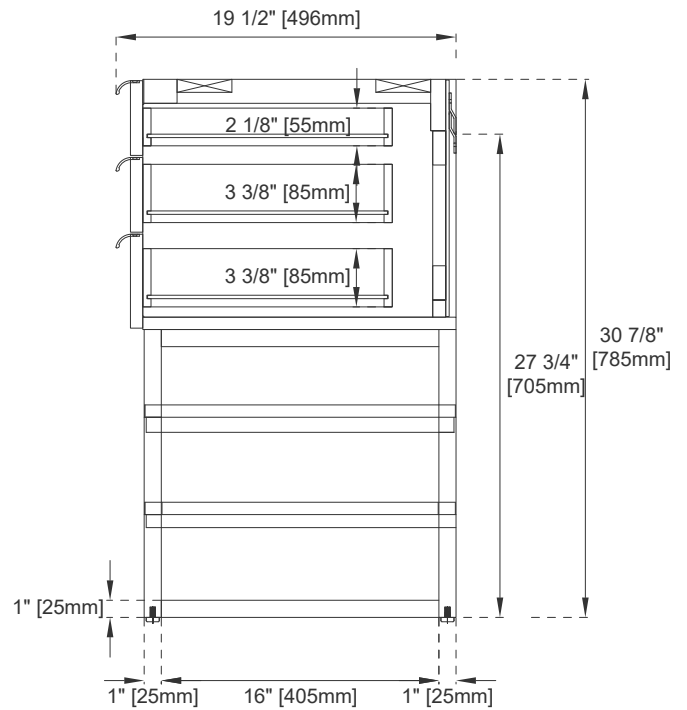
All dimensions are nominal

36" VANITY

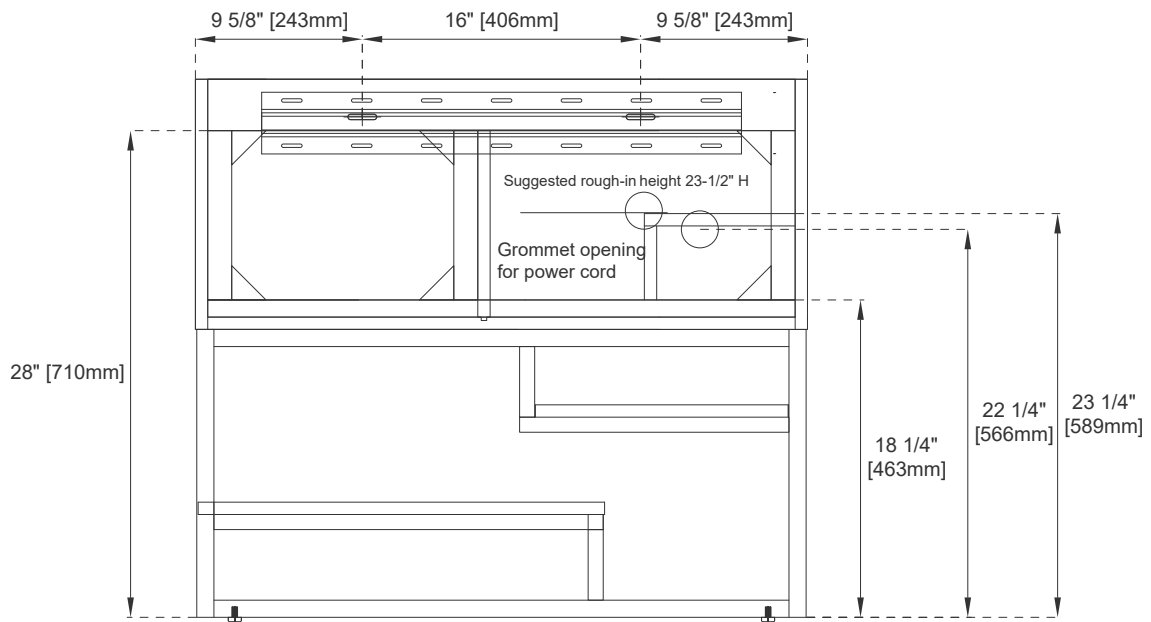
Sink sold separately



Side View 1



Side View 2



Back View

All dimensions are nominal