
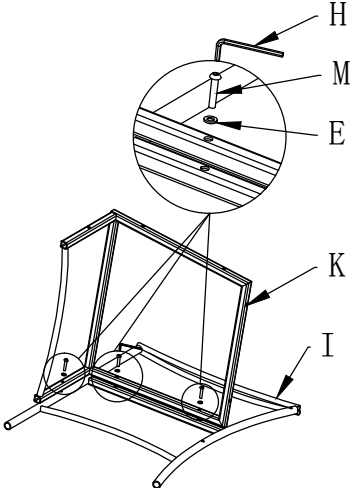
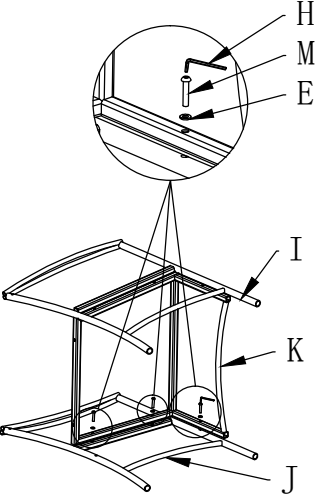



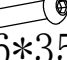





Assembly Instruction

NO	PART LIST	DESCRIPTION	QTY PCS	STEP1	STEP2
I		LEFT ARMREST	1PC		
J		RIGHT ARMREST	1PC		
K		SEAT	1PC		
L		BACK	1PC		
M	 M6*35	BOLT	11PC		
E		WASHER	11PC		
H		WRENCH	1PC	STEP3	STEP4
N		SEAT CUSHION	1PC		
				