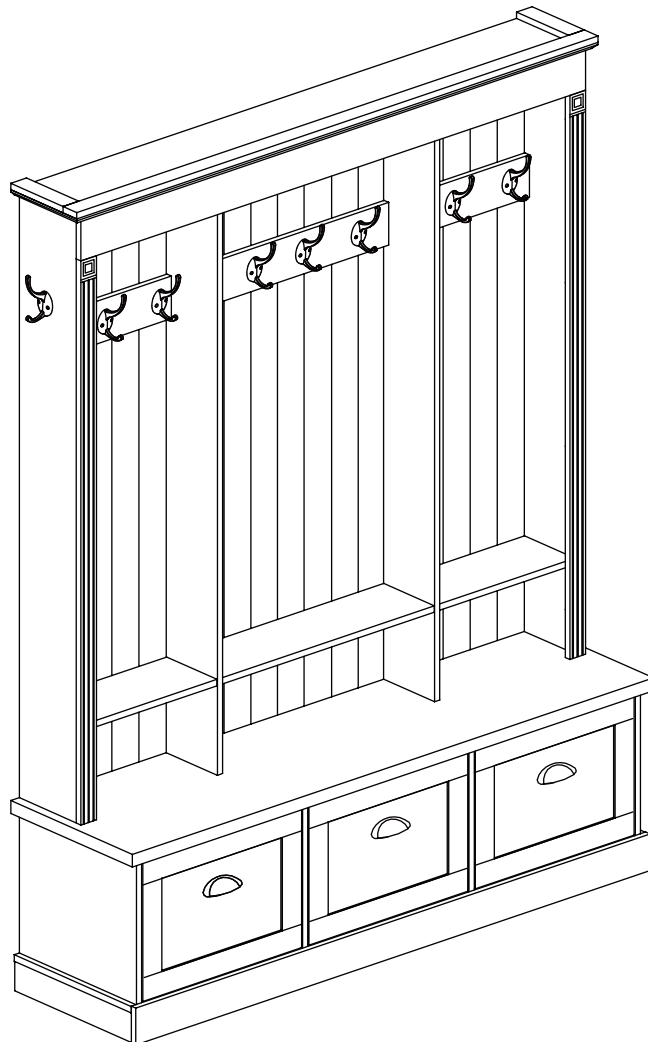


Hall Tree

Assembly Instructions - Please keep for future reference



Dimensions

Width-59inch

Depth-15.75inch

Height-74.8inch



WARNING



This product is NOT a Clothing Storage Unit (CSU).
DO NOT use it for clothing storage.
Improper use may cause furniture tipover.

Important – Please read these instructions fully before starting assembly



Safety and Care Advice

Important – Please read these instructions fully before starting assembly

- Check you have all the components and tools listed on the following pages.
- Remove all fittings from the plastic bags and separate them into their groups.
- Keep children and animals away from the work area, small parts could choke if swallowed.
- Make sure you have enough space to layout the parts before starting.

- During assembly do not stand or put weight on the product, this could cause damage.
- Assemble the item as close to its final position (in the same room) as possible.
- Assemble on a soft level surface to avoid damaging the unit or your floor.
- Parts of the assembly will be easier with 2 people.



power drill is set on a low torque setting.

- To reduce the likelihood of damaging your product please ensure that your

Care and maintenance

- Only clean using a damp cloth and mild detergent, do not use bleach or abrasive cleaners.
- From time to time check that there are no loose screws on this unit.
- This product should not be discarded with household waste. Take to your local authority waste disposal centre.

Handy Hints

- Assemble all parts and bolts loosely during assembly, only once the product is complete should you fully tighten the bolts
- Regularly check and ensure That all bolts and fittings are tightened properly.

WARNING
In order to help prevent overturning – please follow these instructions

To help prevent product toppling over please follow the below steps:-

- Use the anti tip stop or wall fixing method provided (if applicable)
- Do not allow children to climb or hang on the furniture
- Do not open more than one drawer at a time
- Do not place heavy items in the top drawers
- Do not place heavy items on top of the furniture, unless the furniture has been designed for this purpose

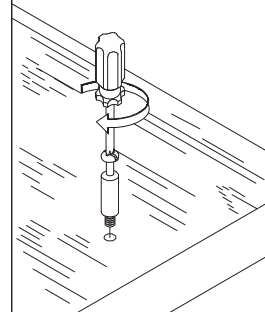
Using Camlocks

Step 1

Connect the male camlock as directed in the assembly instructions using a screwdriver.

1

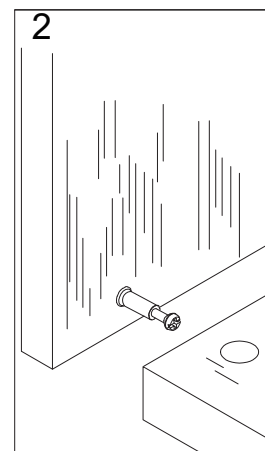
DO NOT OVER TIGHTEN.
NE PAS SERRER EXCESSIVEMENT.



Step 2

Push the male camlock into the entry hole.

2

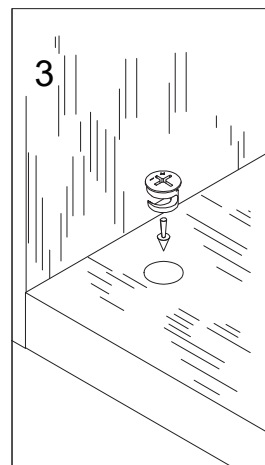


Step 3

Insert the female camlock as shown in the instruction.

Note: ensure that the arrow on the top of the camlock points towards the entry hole for the male camlock.

3



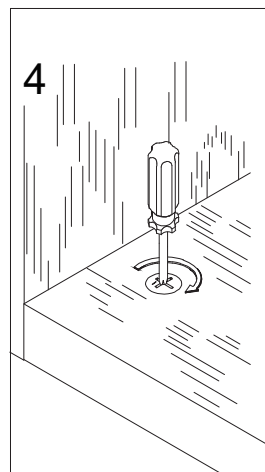
Step 4

Turn the female camlock clockwise with a screwdriver.

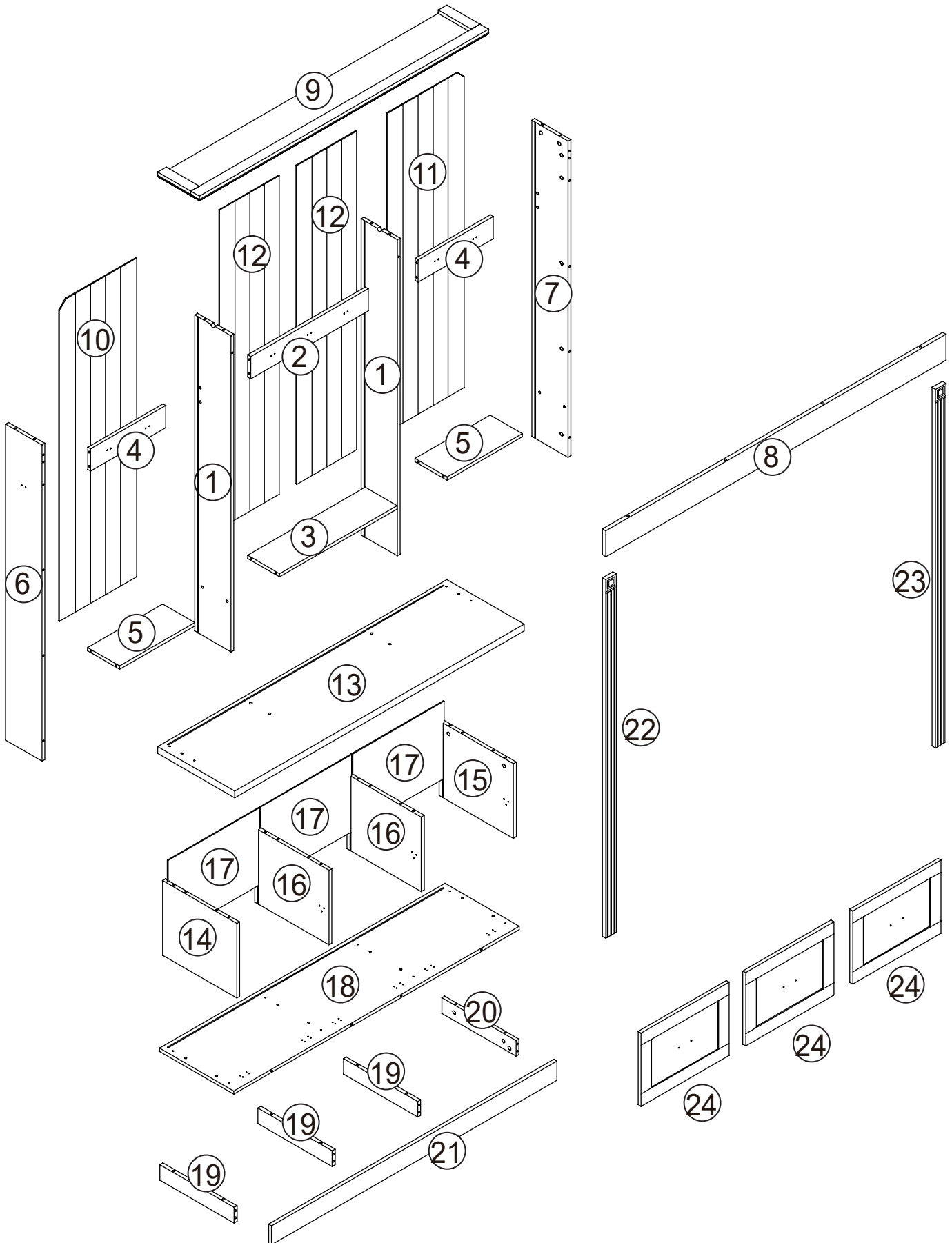
You should feel a click when the camlock is locked in place.

The joint is now secure.

4



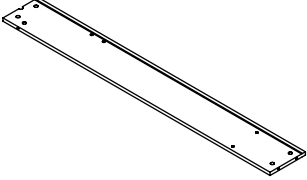
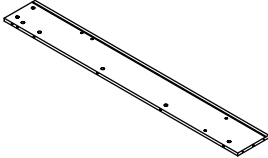
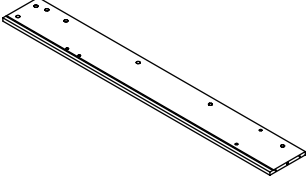
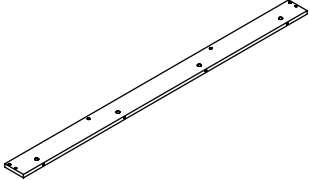
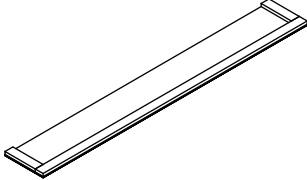
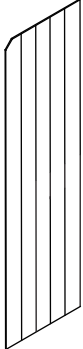
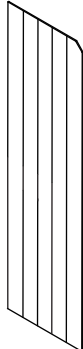

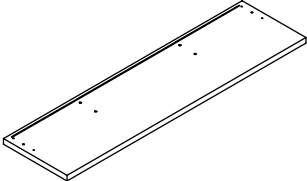
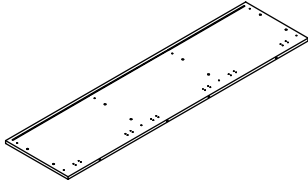
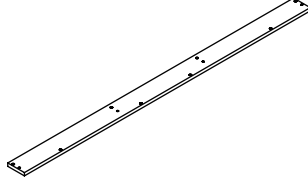
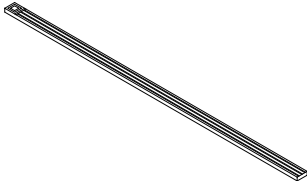
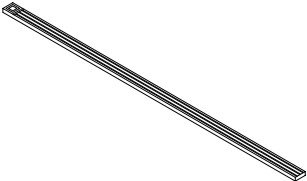
Assembly Instructions



Assembly Instructions

There are 2 boxes of this product

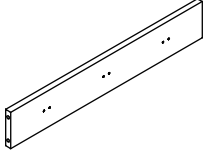
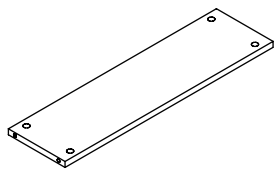
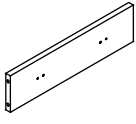
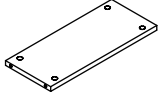
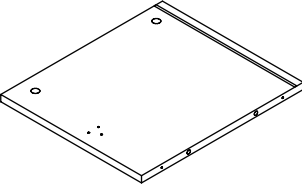
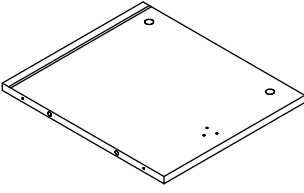
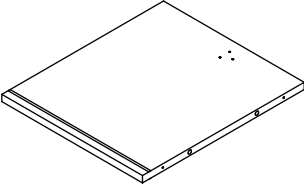
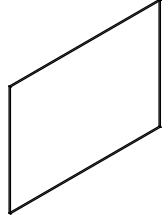
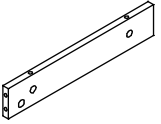
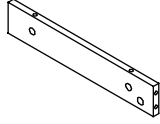
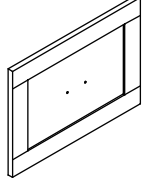
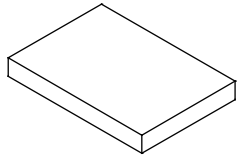
BOX-1

| | | | |
|---|---|--|---|
|  |  |  |  |
| 1420*188*15mm | 1420*188*15mm | 1420*188*15mm | 1452*95*15mm |
| ① x 2 | ⑥ x 1 | ⑦ x 1 | ⑧ x 1 |
|  |  |  |  |
| 1500*217*30mm | 1431*400*4mm | 1431*400*4mm | 1431*309.5*4mm |
| ⑨ x 1 | ⑩ x 1 | ⑪ x 1 | ⑫ x 2 |
|  |  |  |  |
| 1500*400*30mm | 1480*385*15mm | 1480*86*15mm | 1325*45*15mm |
| ⑬ x 1 | ⑱ x 1 | ⑳ x 1 | ㉒ x 1 |
|  | | | |
| 1325*45*15mm | | | |
| ㉓ x 1 | | | |

Assembly Instructions

There are 2 boxes of this product

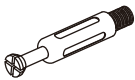

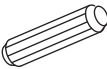


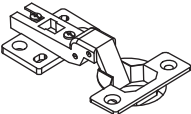

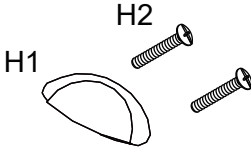

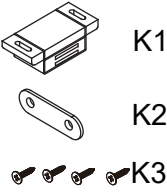

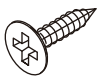
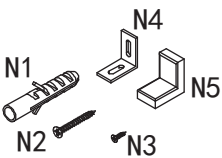


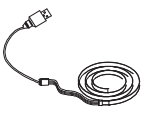
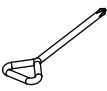
BOX-2

| | | | |
|---|---|--|---|
|  |  |  |  |
| 610*100*15mm | 610*166*15mm | 390*100*15mm | 390*166*15mm |
| ② x 1 | ③ x 1 | ④ x 2 | ⑤ x 2 |
|  |  |  |  |
| 385*335*15mm | 385*335*15mm | 385*335*15mm | 472*346*4mm |
| ⑭ x 1 | ⑮ x 1 | ⑯ x 2 | ⑰ x 3 |
|  |  |  |  |
| 385*70*15mm | 385*70*15mm | 457*329*15mm | |
| ⑲ x 3 | ⑳ x 1 | ㉔ x 3 | Hardware Pack X1 |

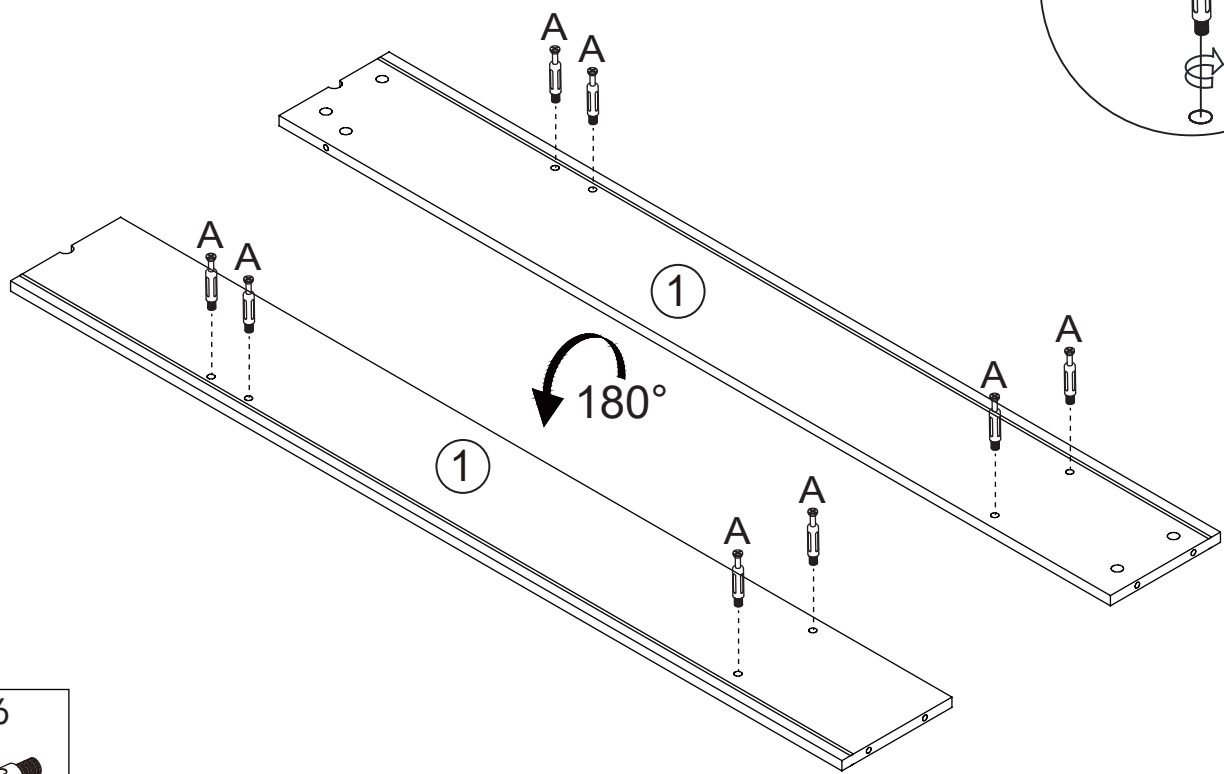
Components-Fittings

Please check you have all the panels listed below

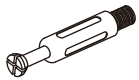
Note: The quantities below are the correct amount to complete the assembly. In some cases more fittings may be supplied than are required.

| | | | |
|--|--|---|---|
| <p>(A)</p>  <p>Cam Bolt x 76+2</p> | <p>(B)</p>  <p>Cam Lock x 76+2</p> | <p>(C)</p>  <p>8*30mm Dowel x 24+2</p> | <p>(D)</p>  <p>5*60mm Screw x 4+1</p> |
| <p>(E)</p>  <p>4*35mm Screw x 8+2</p> | <p>(F)</p>  <p>Handle x 6</p> | <p>(G)</p>  <p>Clothes-hook x 9</p> | <p>(H)</p>  <p>Handle x 3</p> |
| <p>(J)</p>  <p>Flip door lever x 6</p> | <p>(K)</p>  <p>door holder x 3</p> | <p>(L)</p>  <p>Back panel buckle x 60+2</p> | <p>(M)</p>  <p>3.5*14mm Screw x 66+2</p> |
| <p>(N)</p>  <p>Anti dumping x 2 set</p> | <p>(O)</p>  <p>Perfect Fit x 40</p> | <p>(P)</p>  <p>felt x 30+2</p> | <p>(R)</p>  <p>Light belt x 1</p> |
| <p>(S)</p>  <p>Screwdriver x 1</p> | | | |
| | | | |

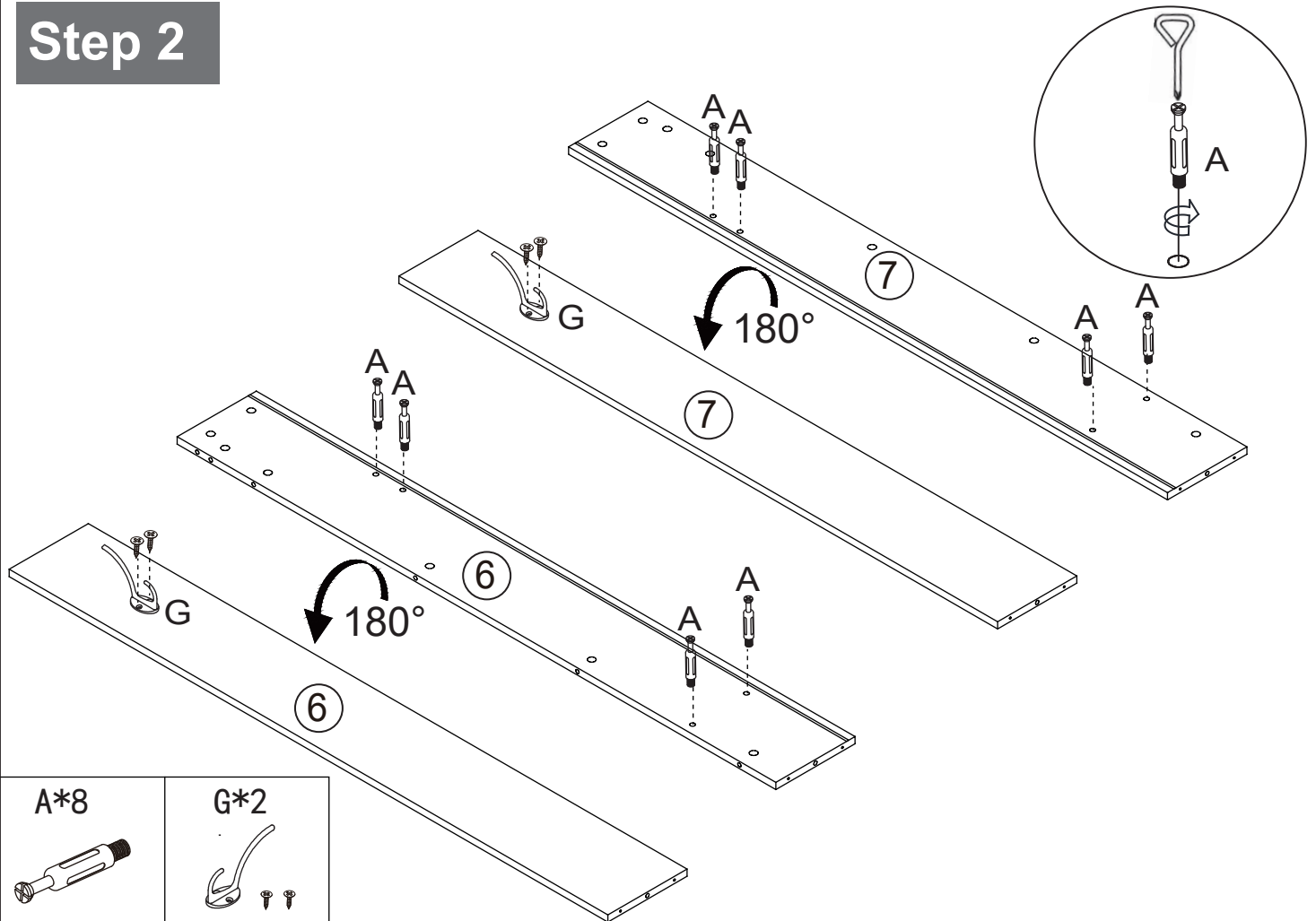
Step 1 StepX2



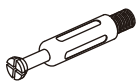
A*16



Step 2



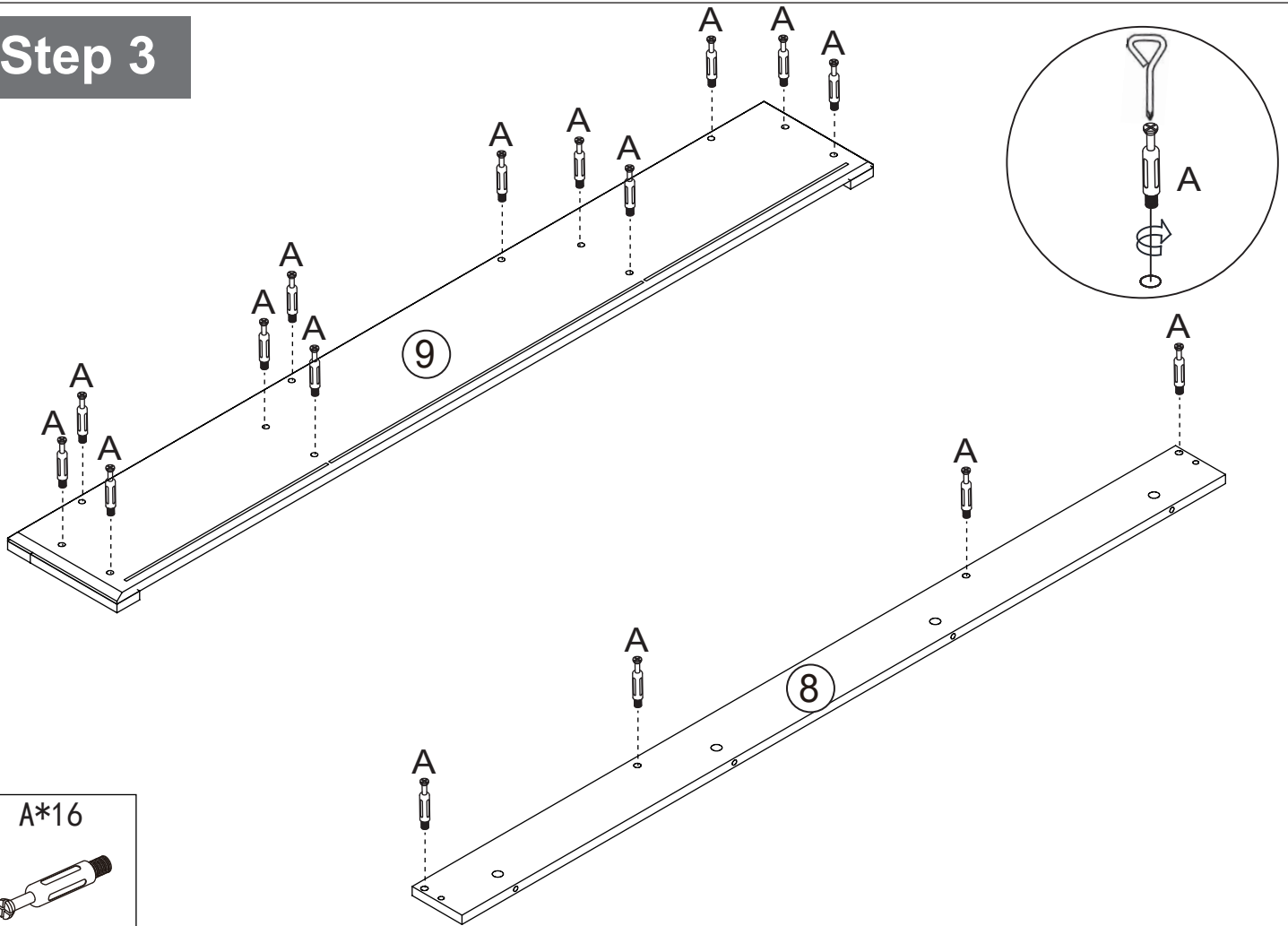
A*8



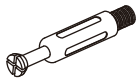
G*2



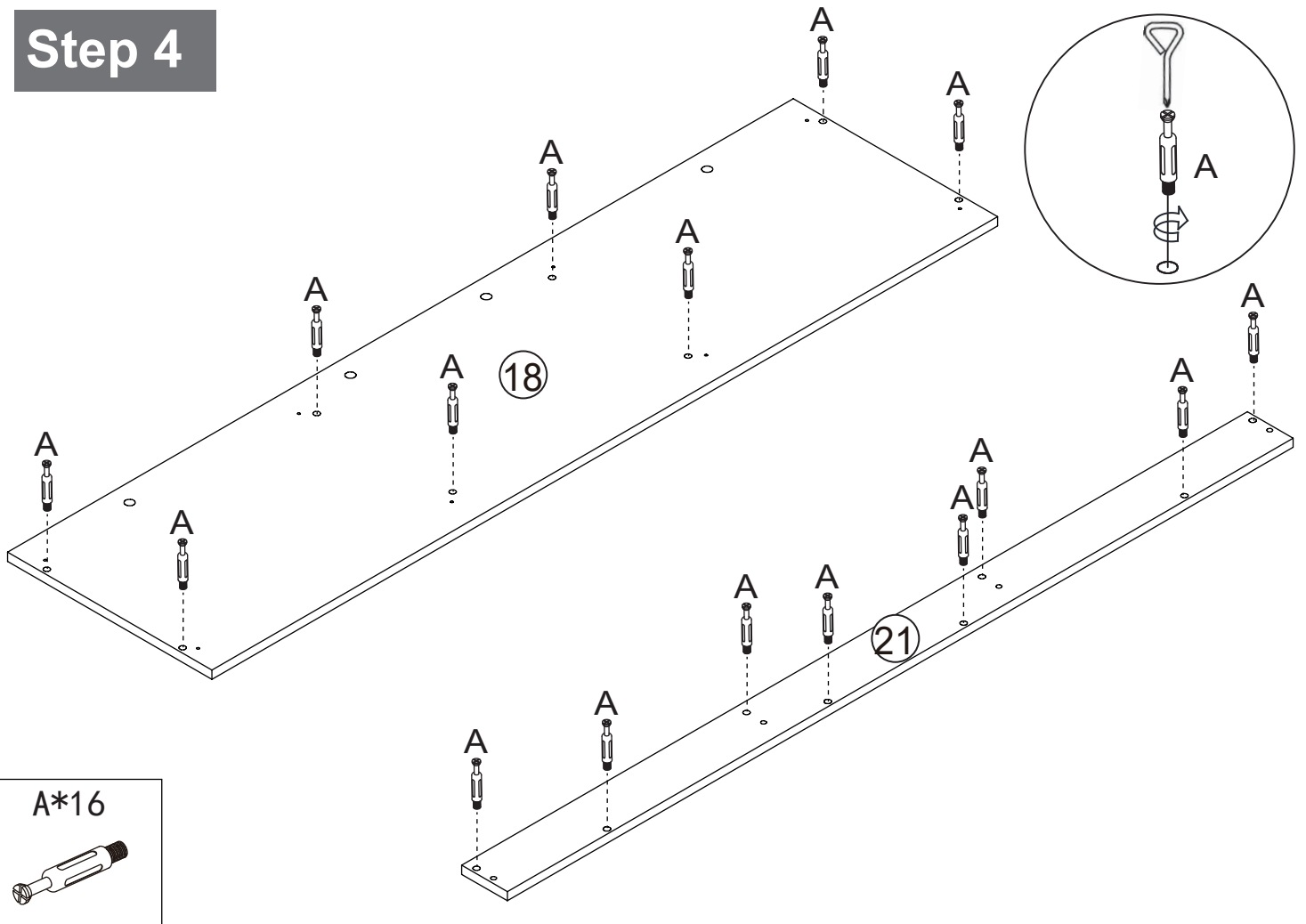
Step 3



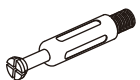
A*16



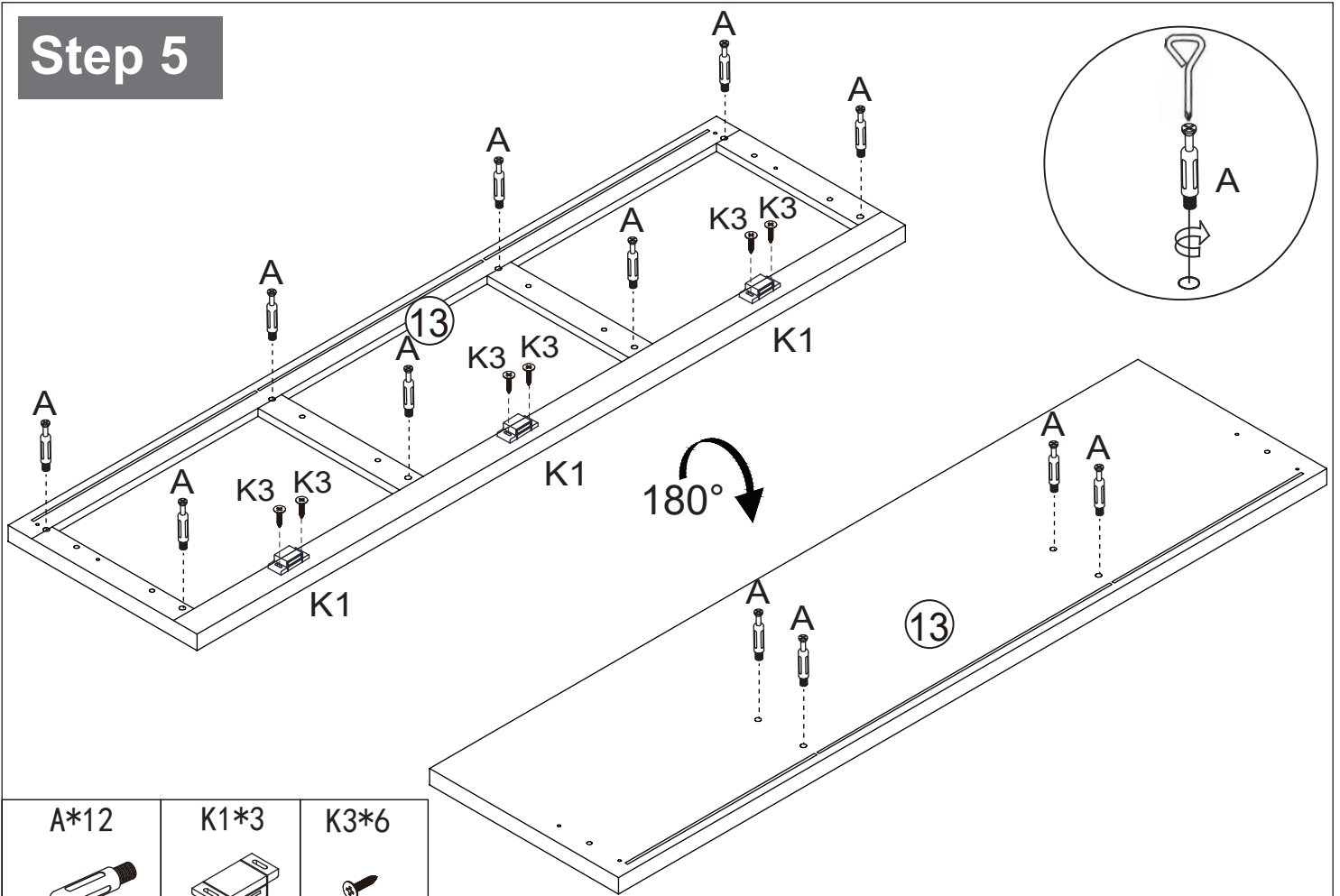
Step 4



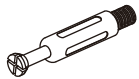
A*16



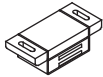
Step 5



A*12



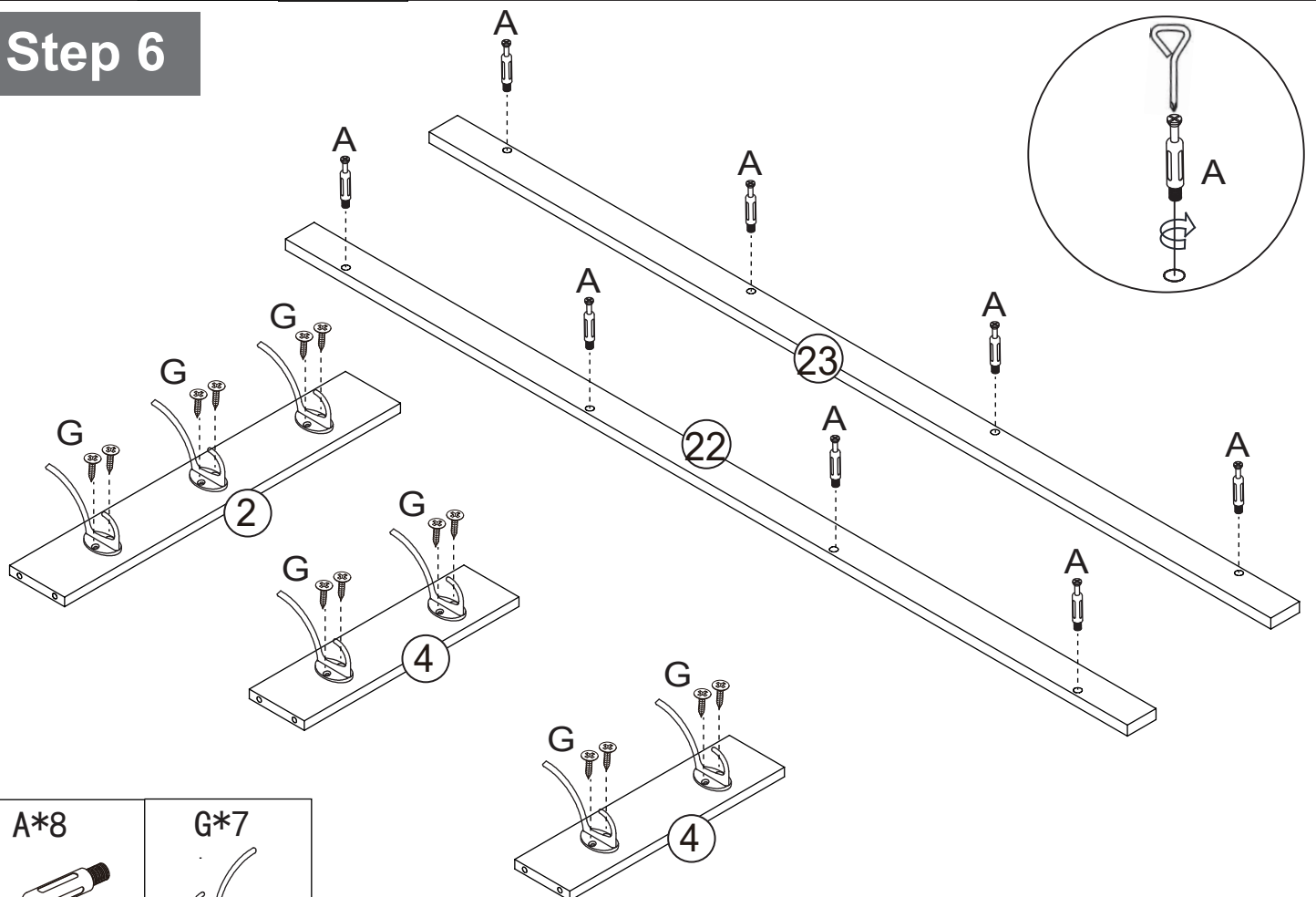
K1*3



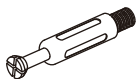
K3*6



Step 6



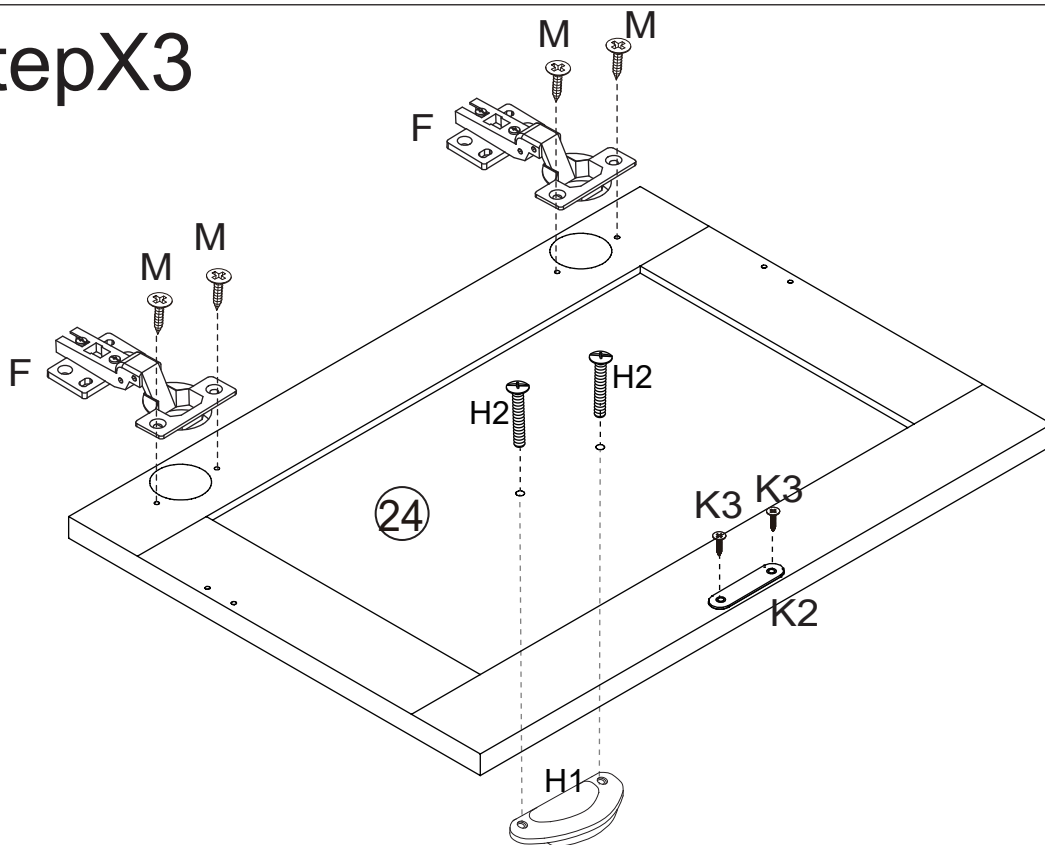
A*8



G*7



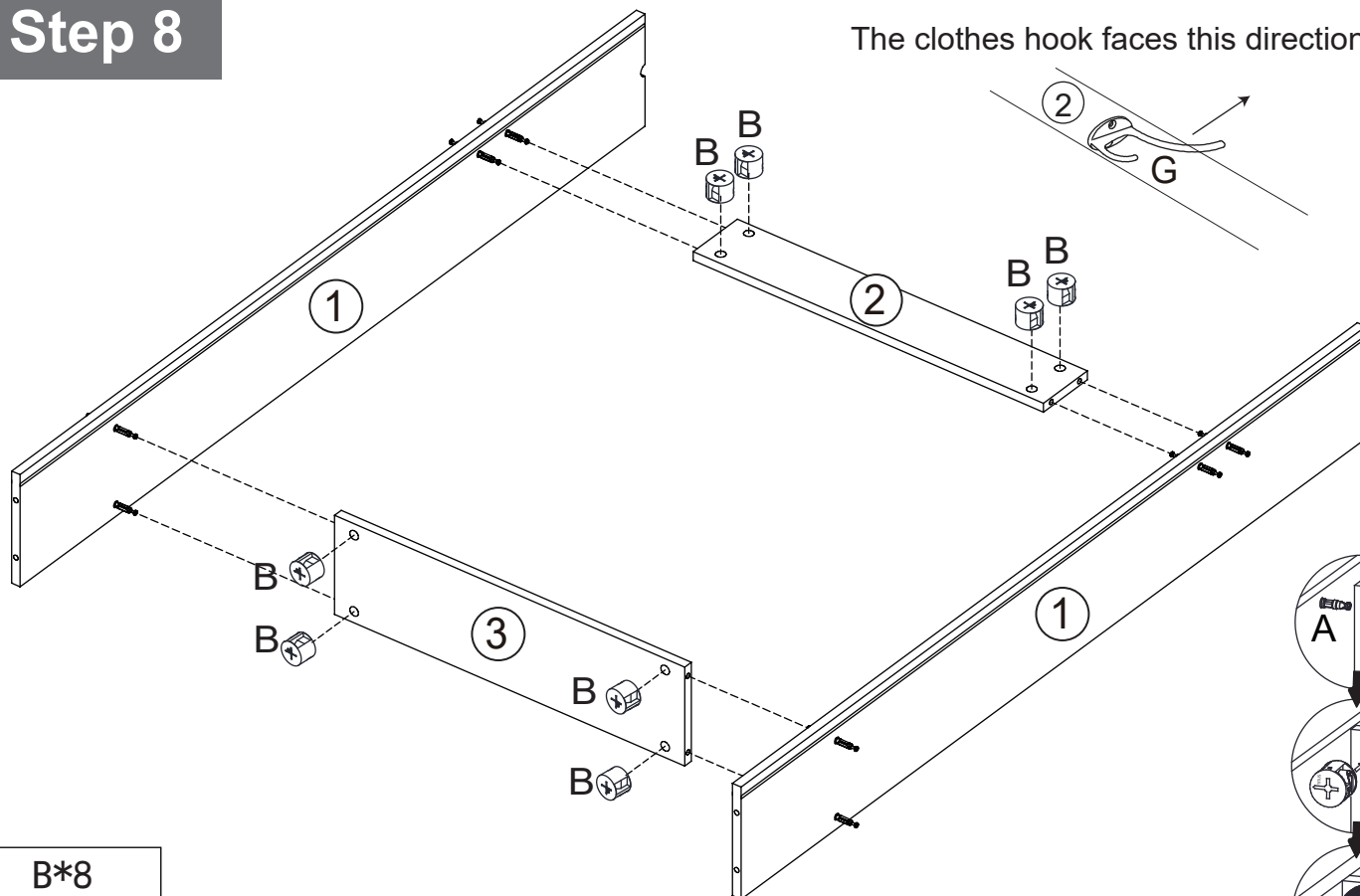
Step 7 StepX3



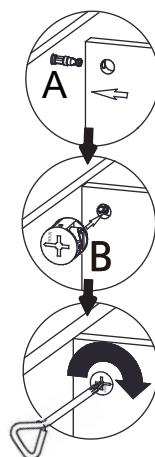
| | | | | |
|-----|-----------|------|------|------|
| F*6 | H*3 H1 | K2*3 | K3*6 | M*12 |
| | | | | |

Step 8

The clothes hook faces this direction.

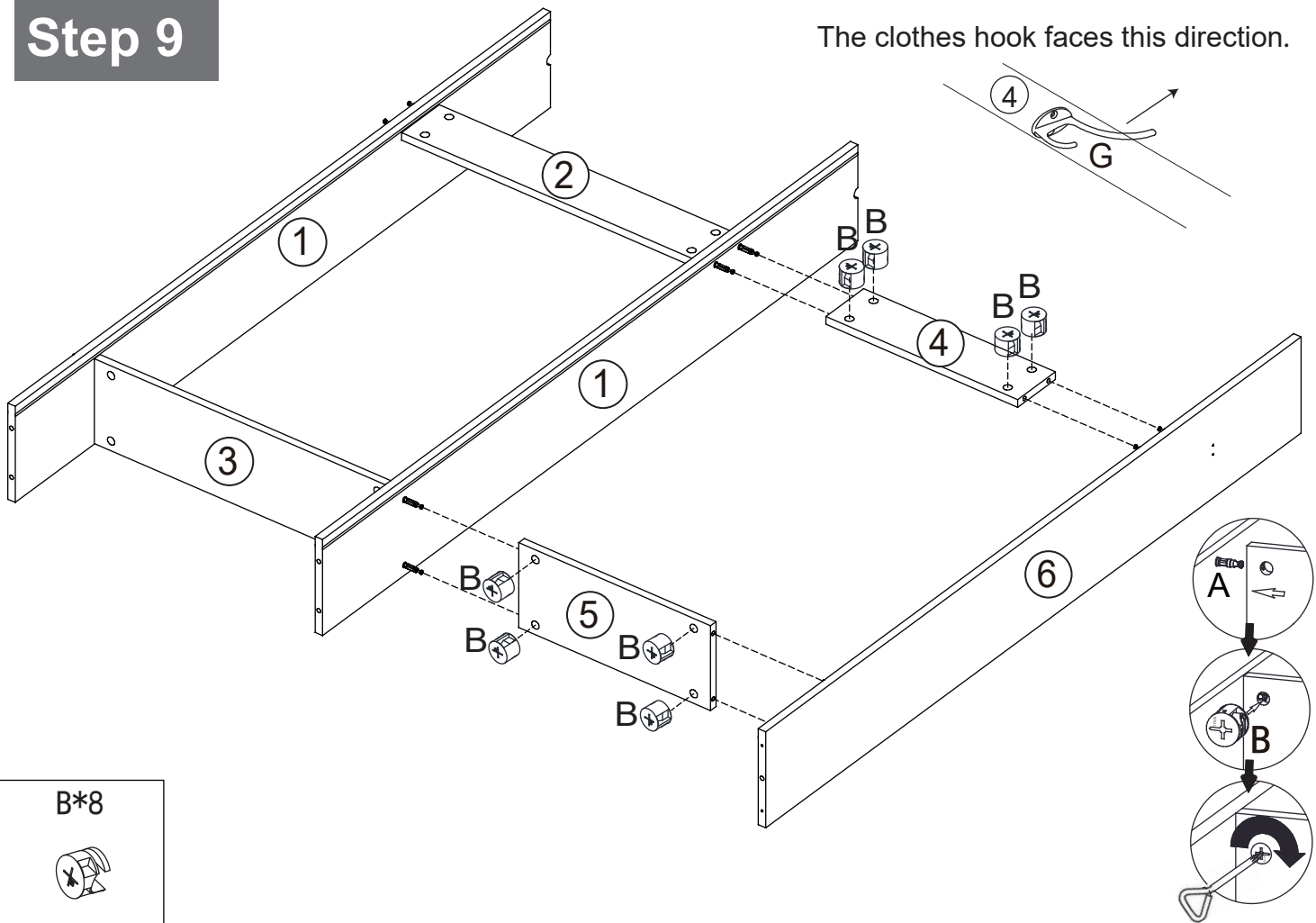


B*8



Step 9

The clothes hook faces this direction.

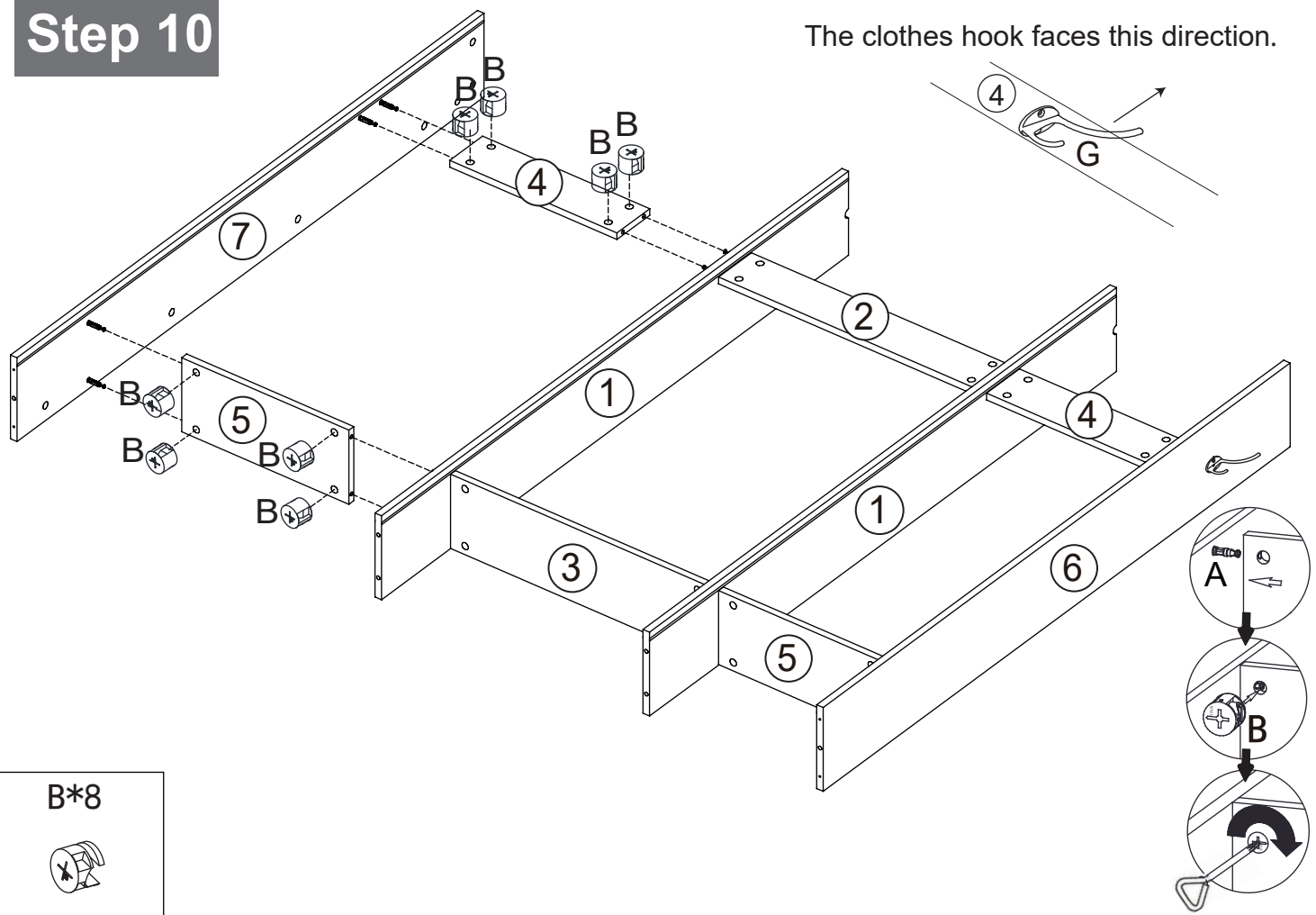


B*8



Step 10

The clothes hook faces this direction.

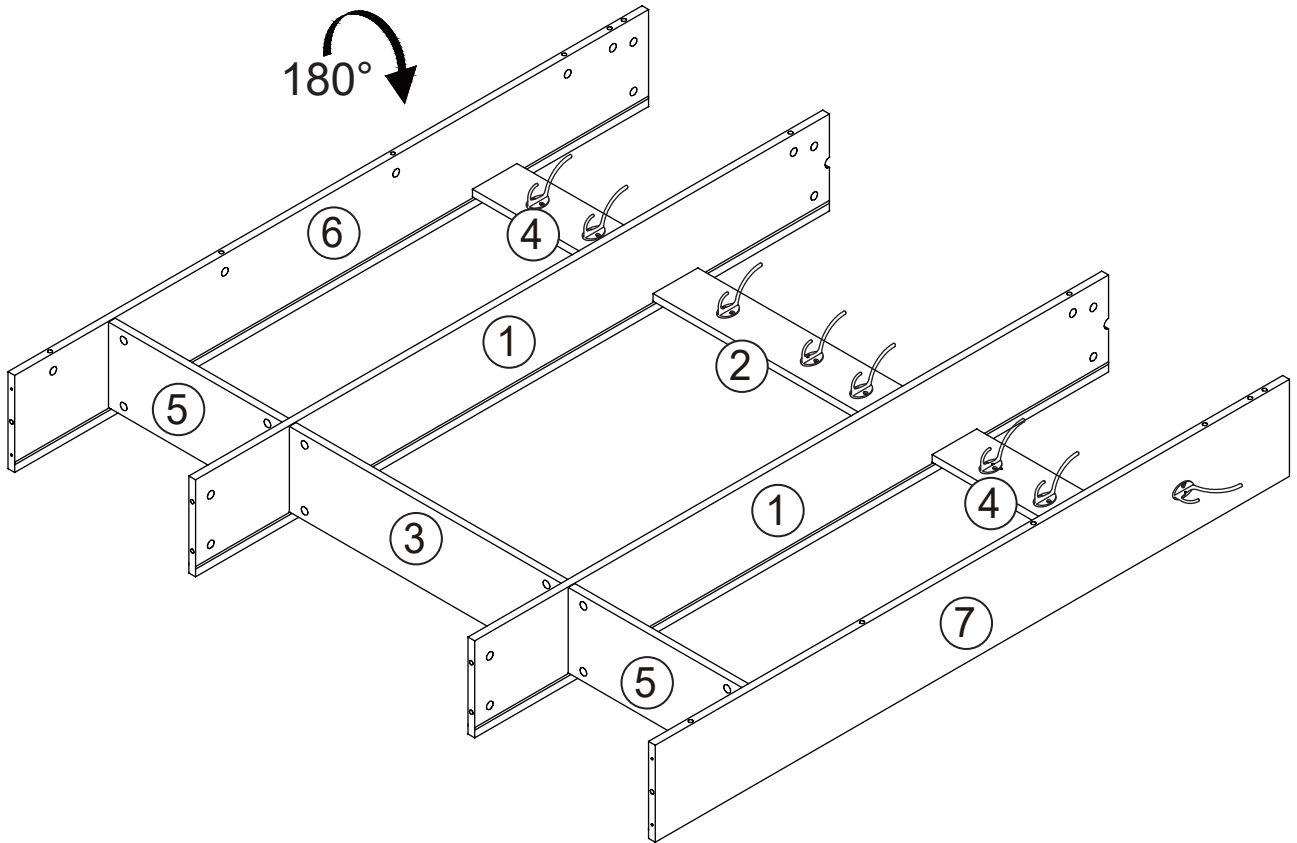


B*8

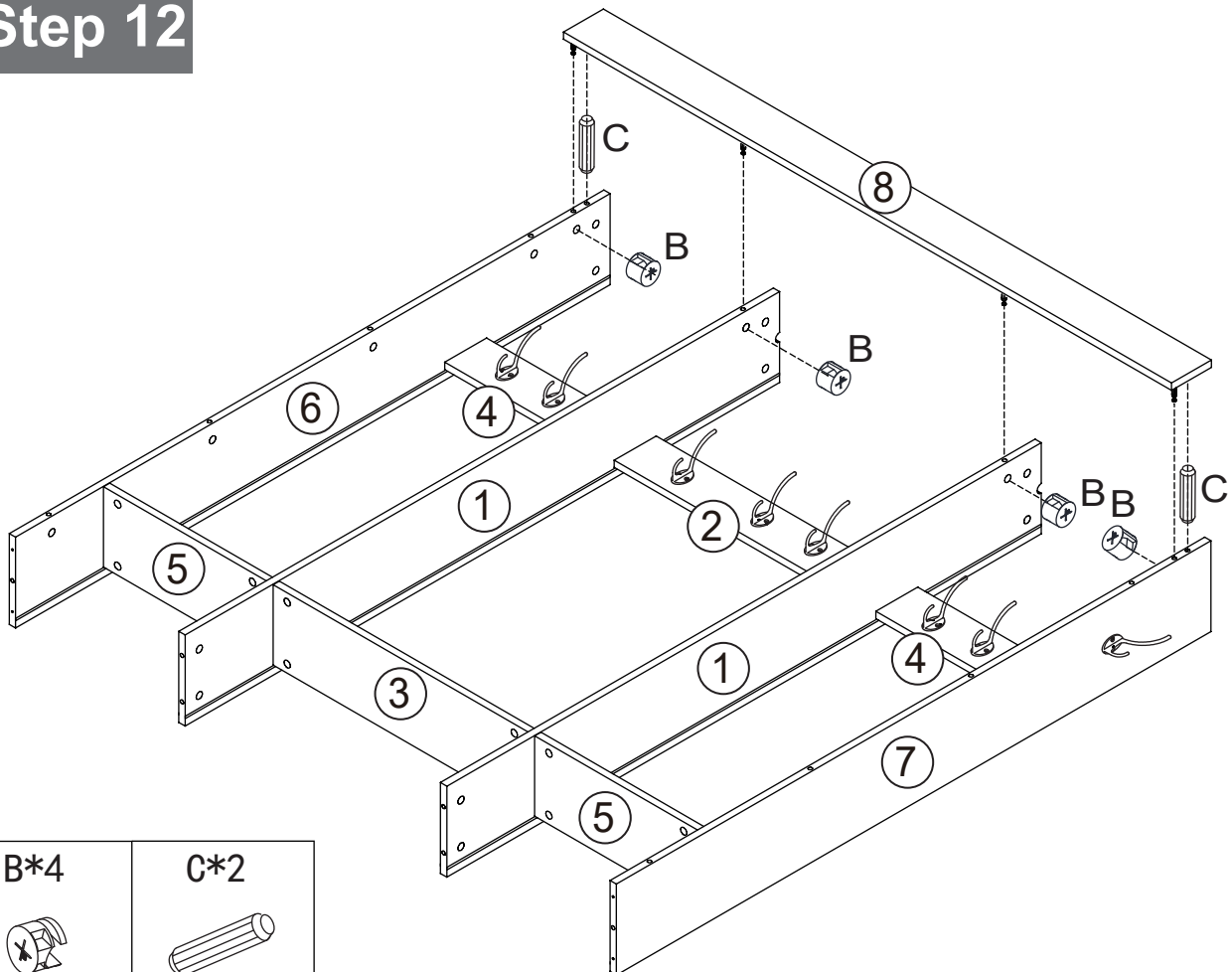


Step 11

It's better if two people work together on this step.
Please flip carefully!

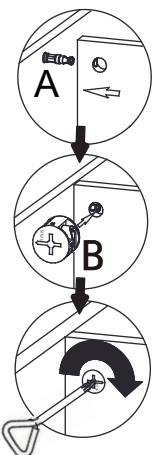


Step 12

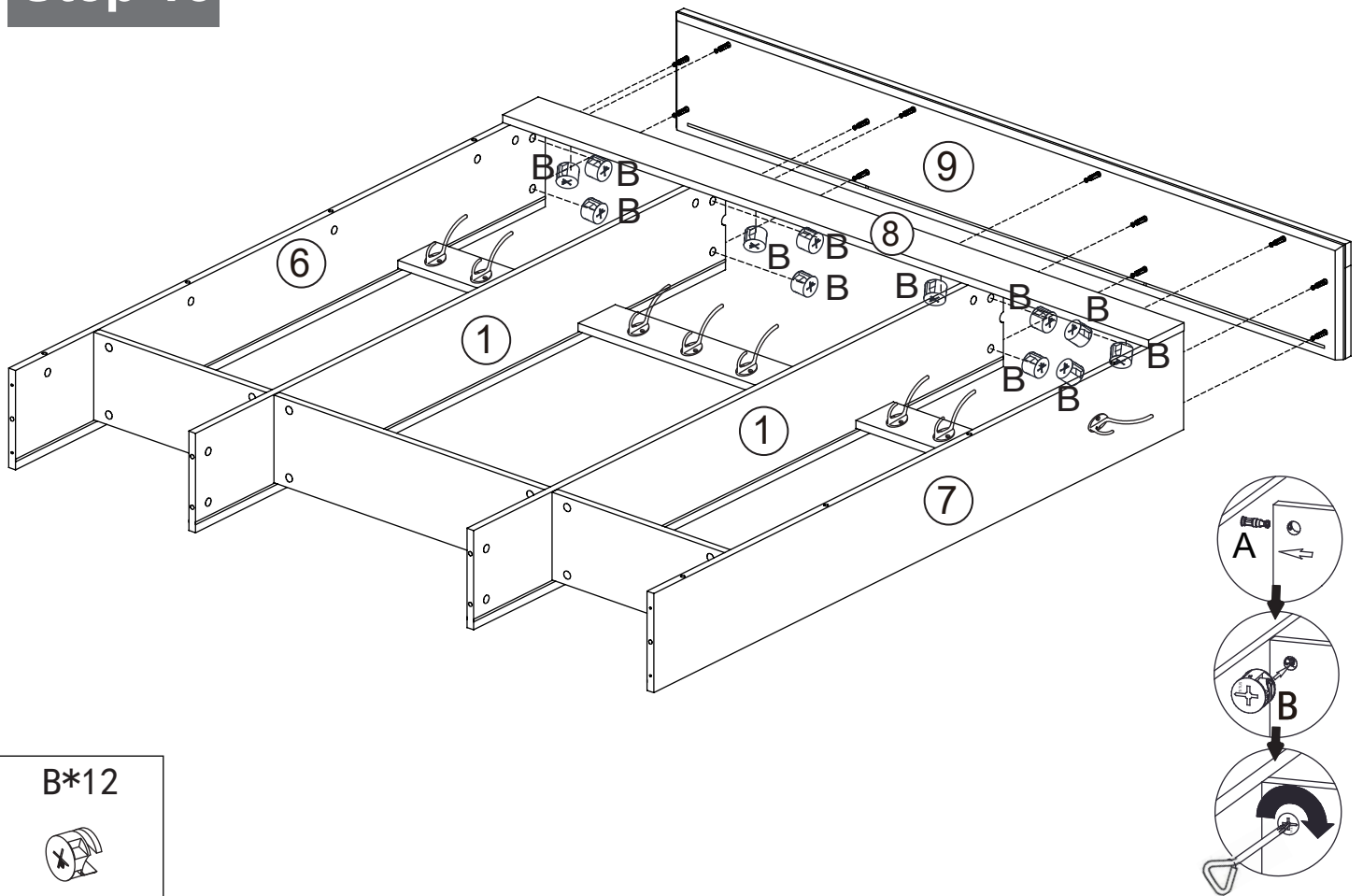


B*4

C*2



Step 13



B*12

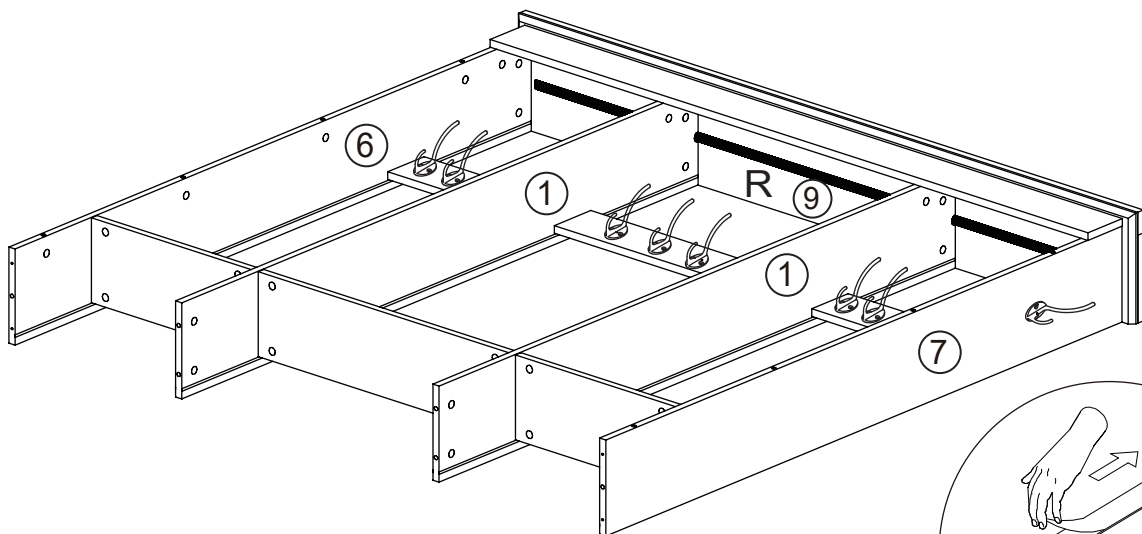


Step 14

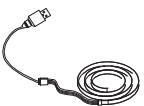
The light strip passes through the small holes on the ① and is attached to the ⑨

You may paste light strip from left to right or from right to left.

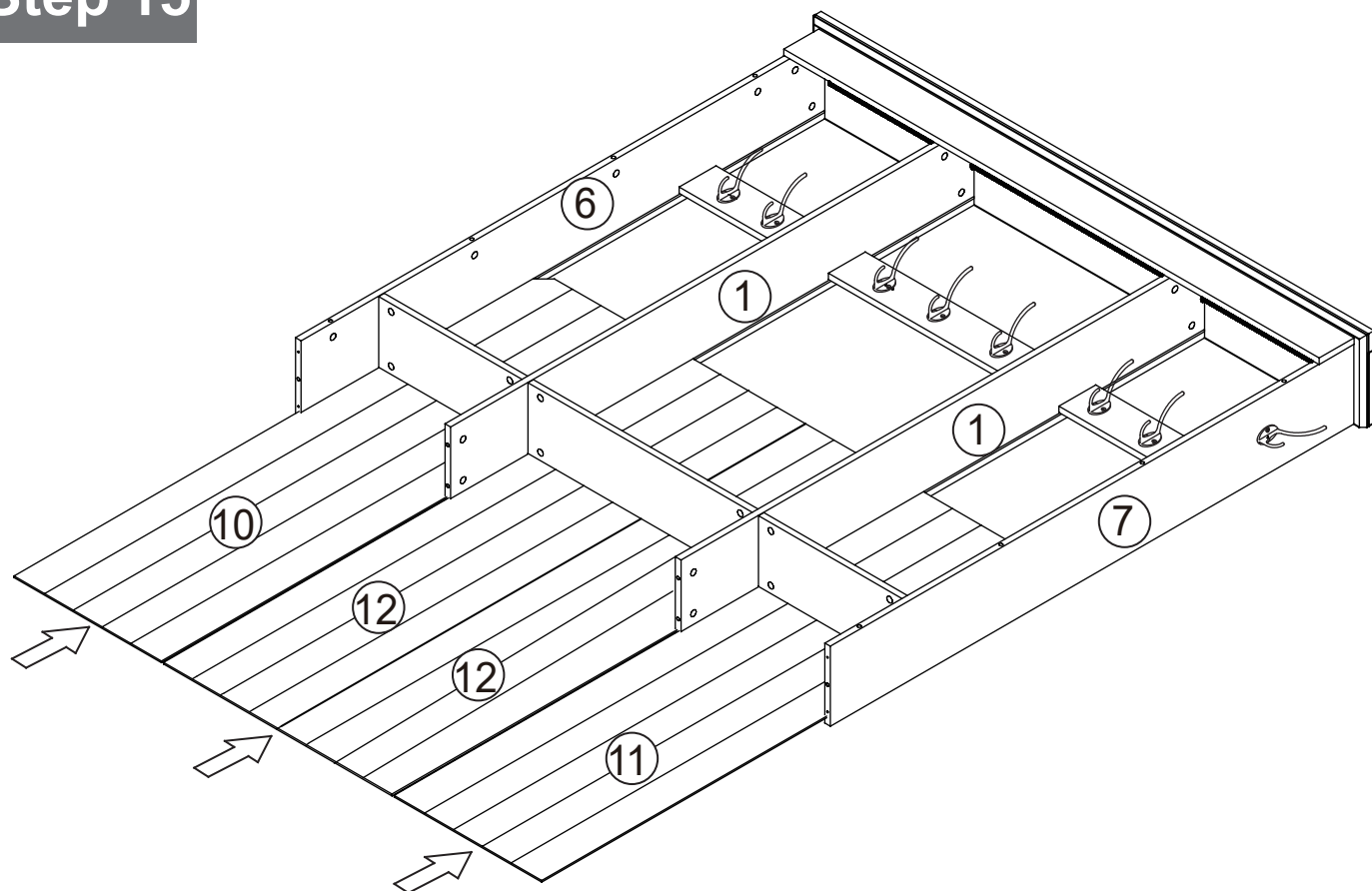
Please select the appropriate pasting direction according to your specific requirements.



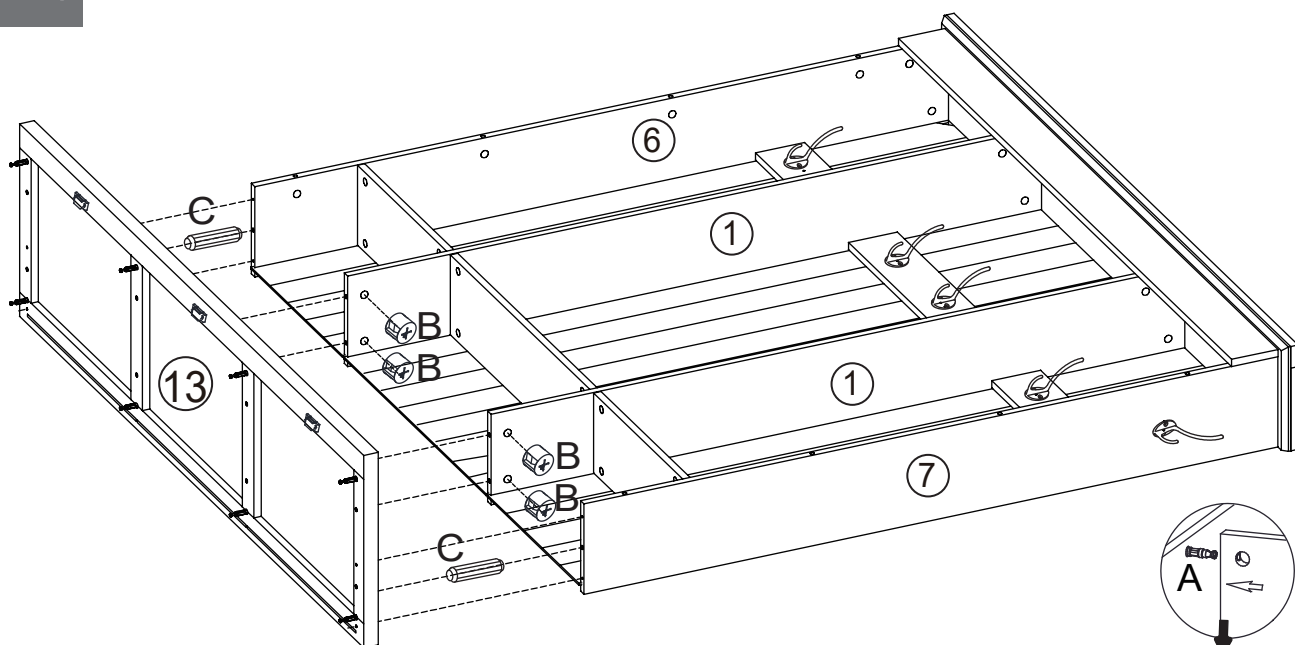
R*1



Step 15



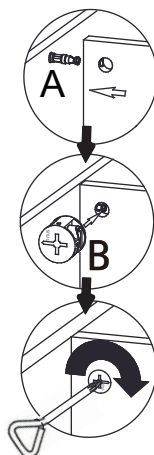
Step 16



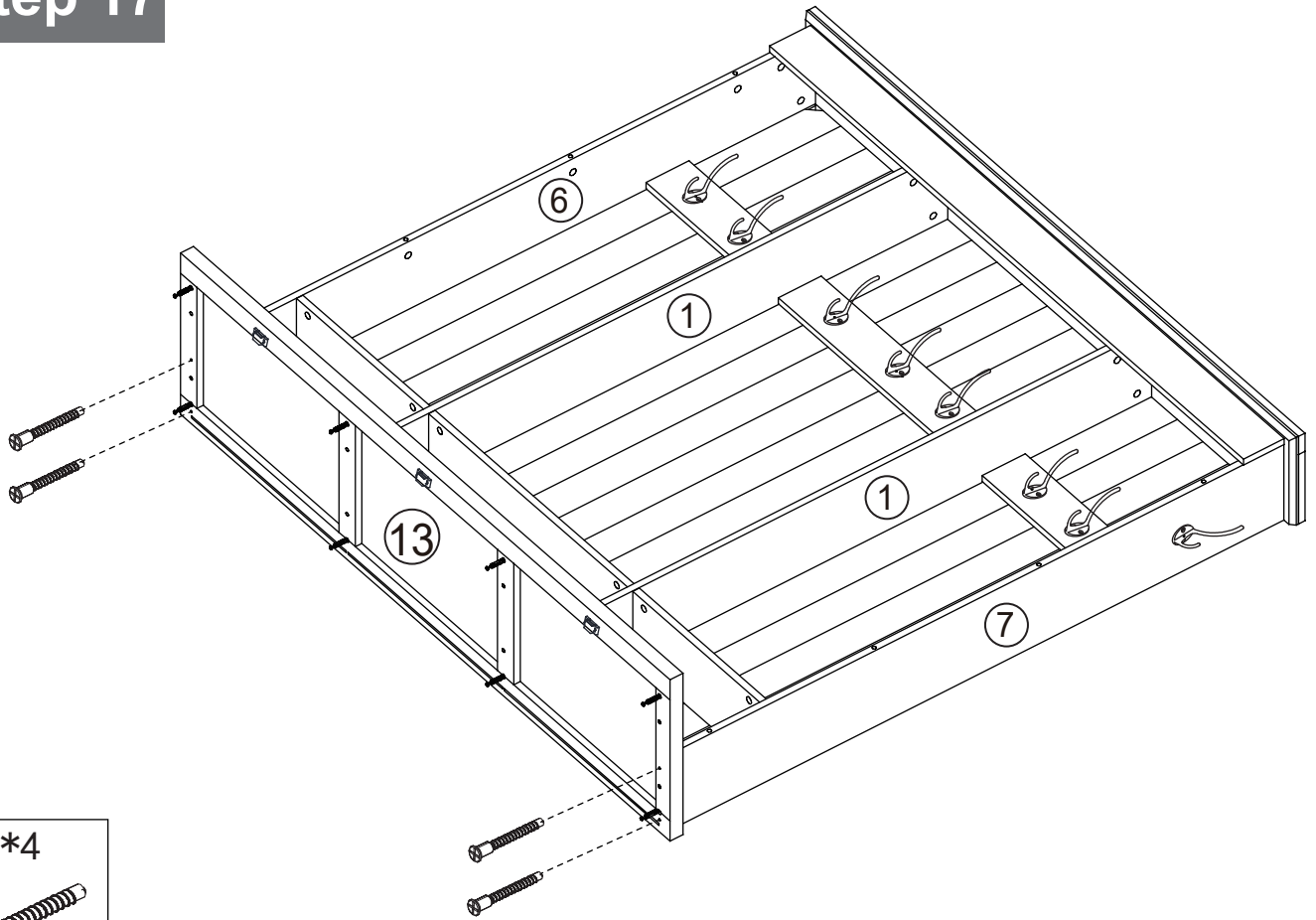
B*4



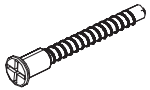
C*2



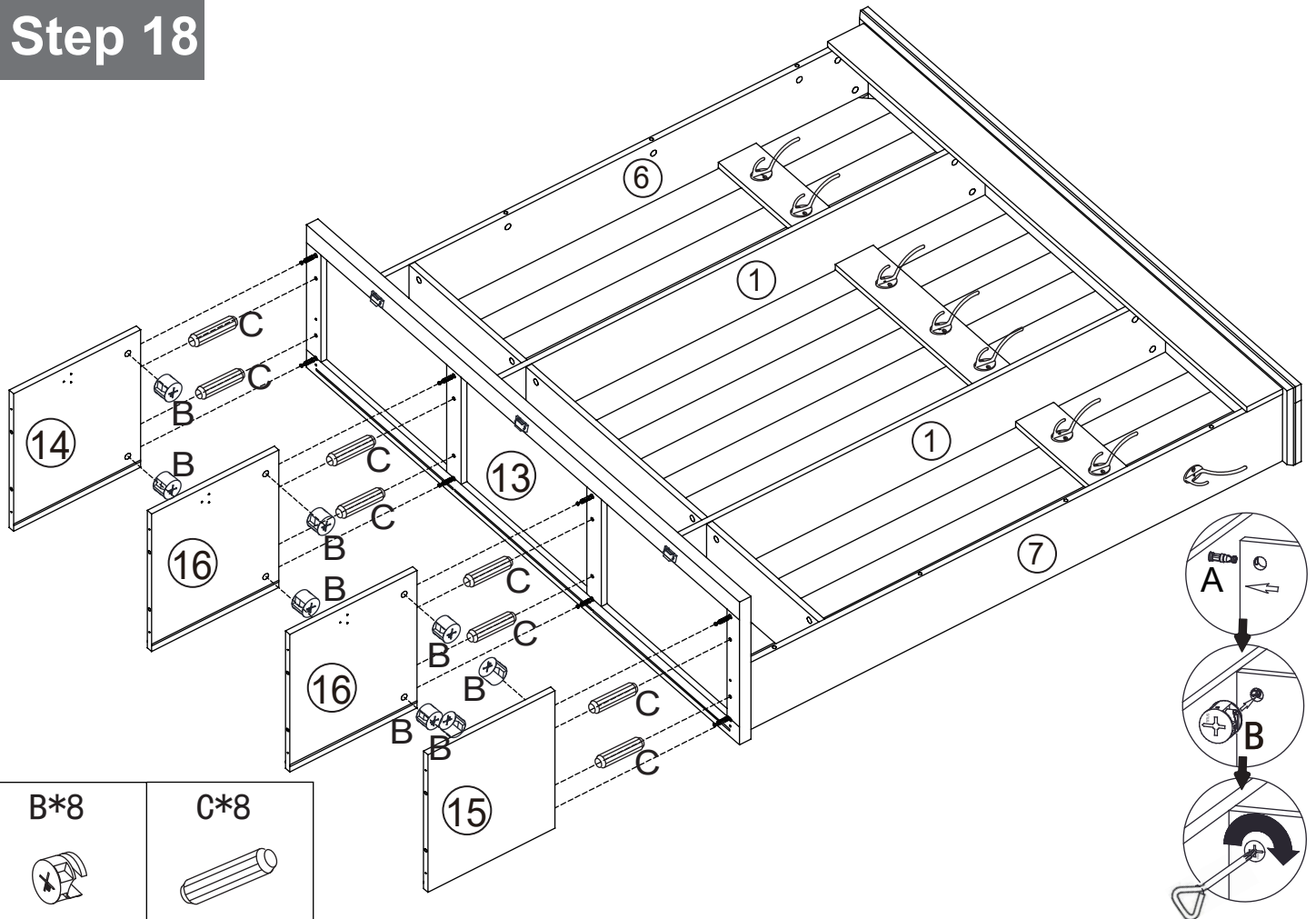
Step 17



D*4



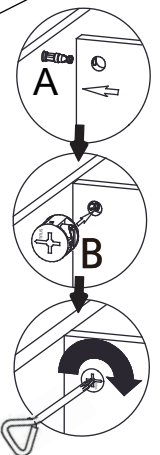
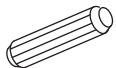
Step 18



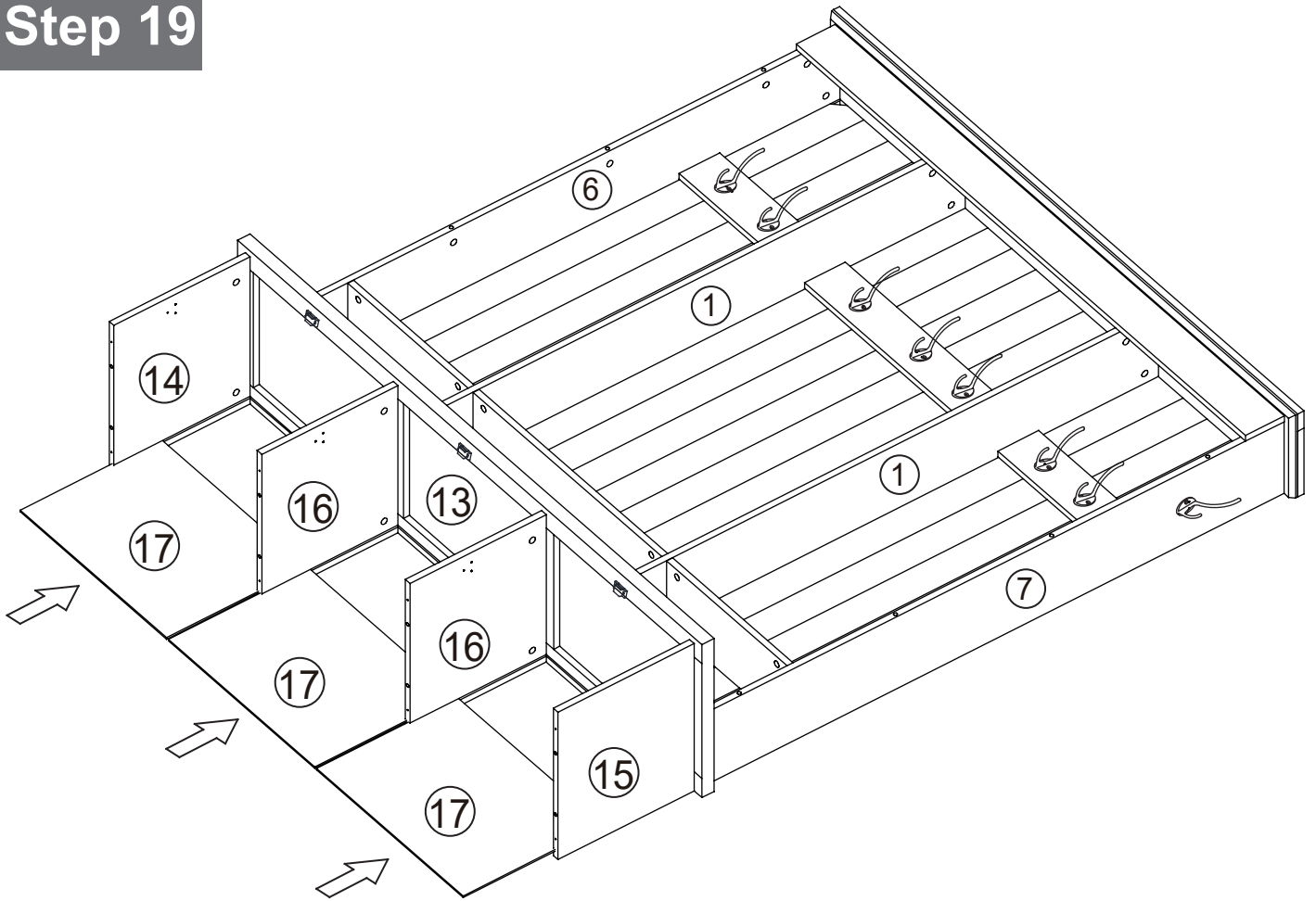
B*8



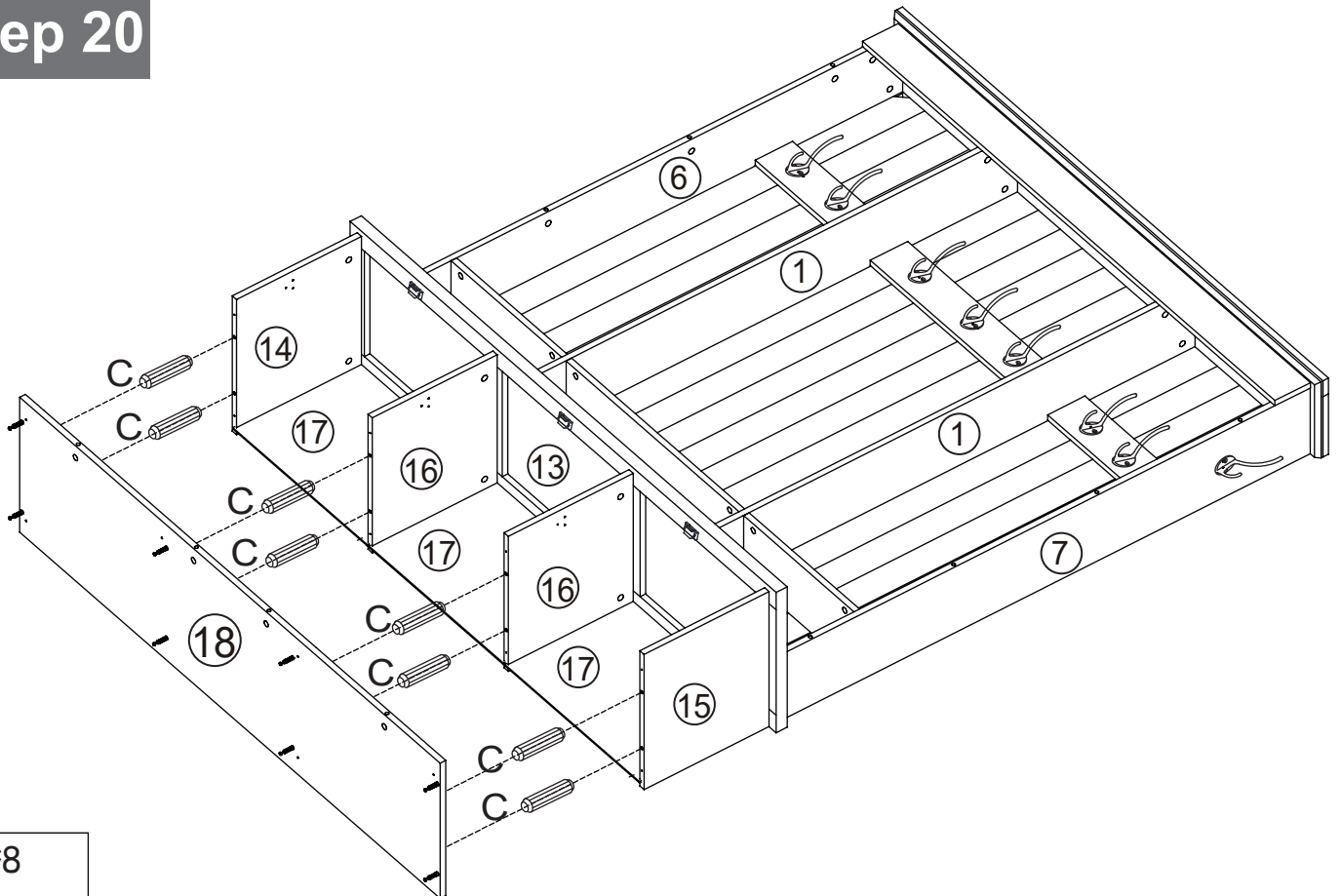
C*8



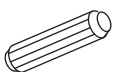
Step 19



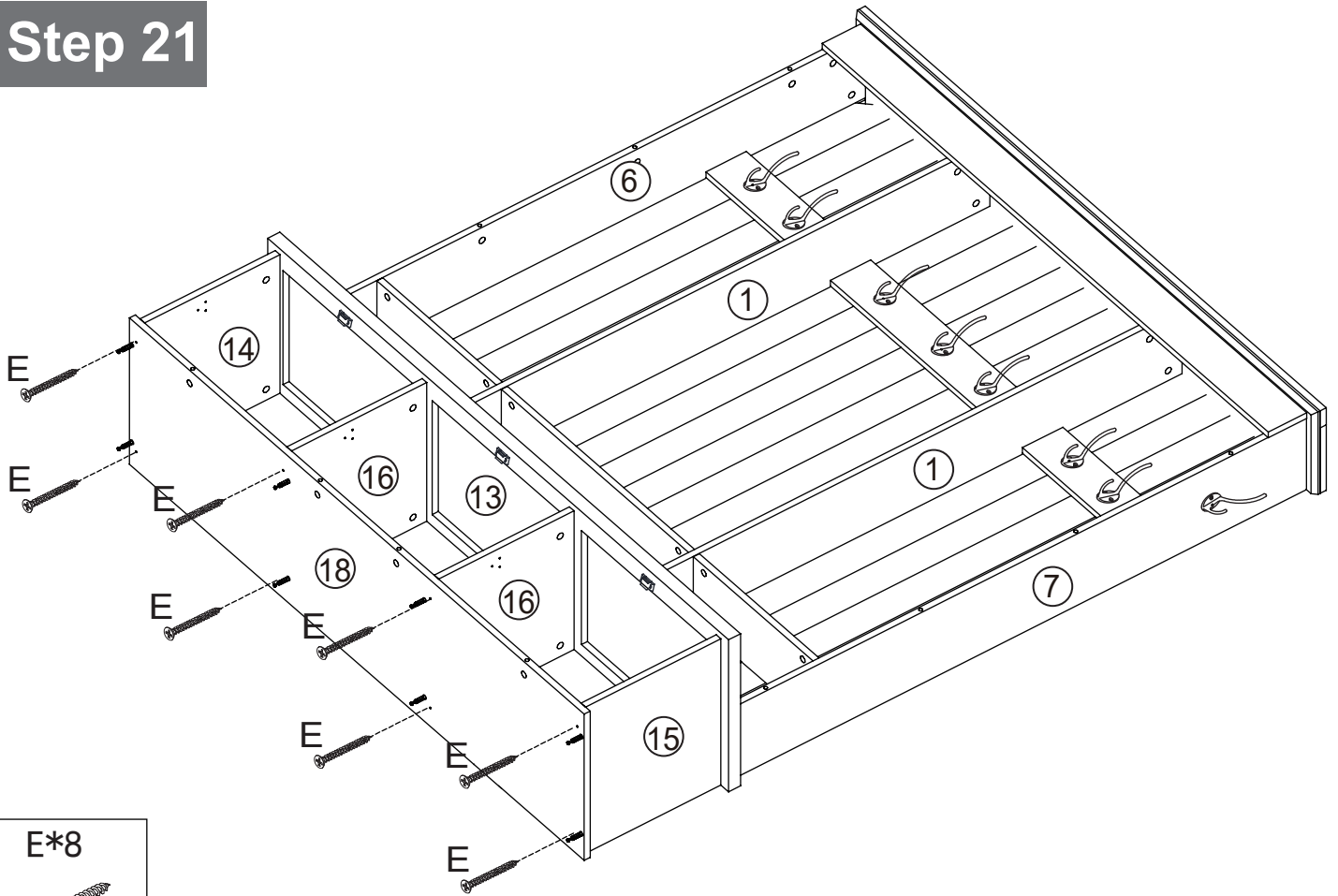
Step 20



C*8



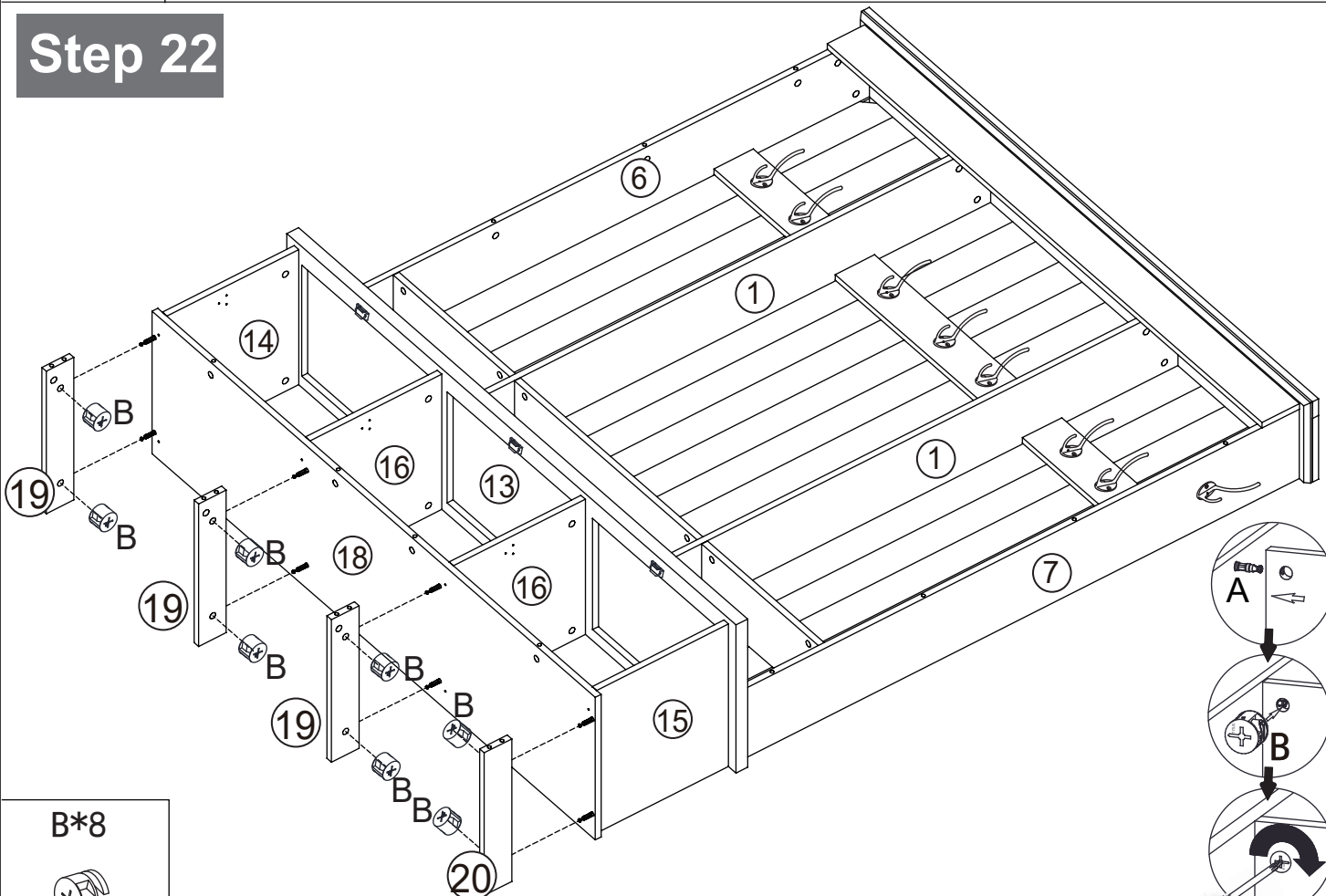
Step 21



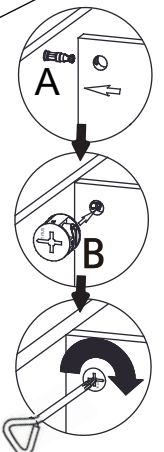
E*8



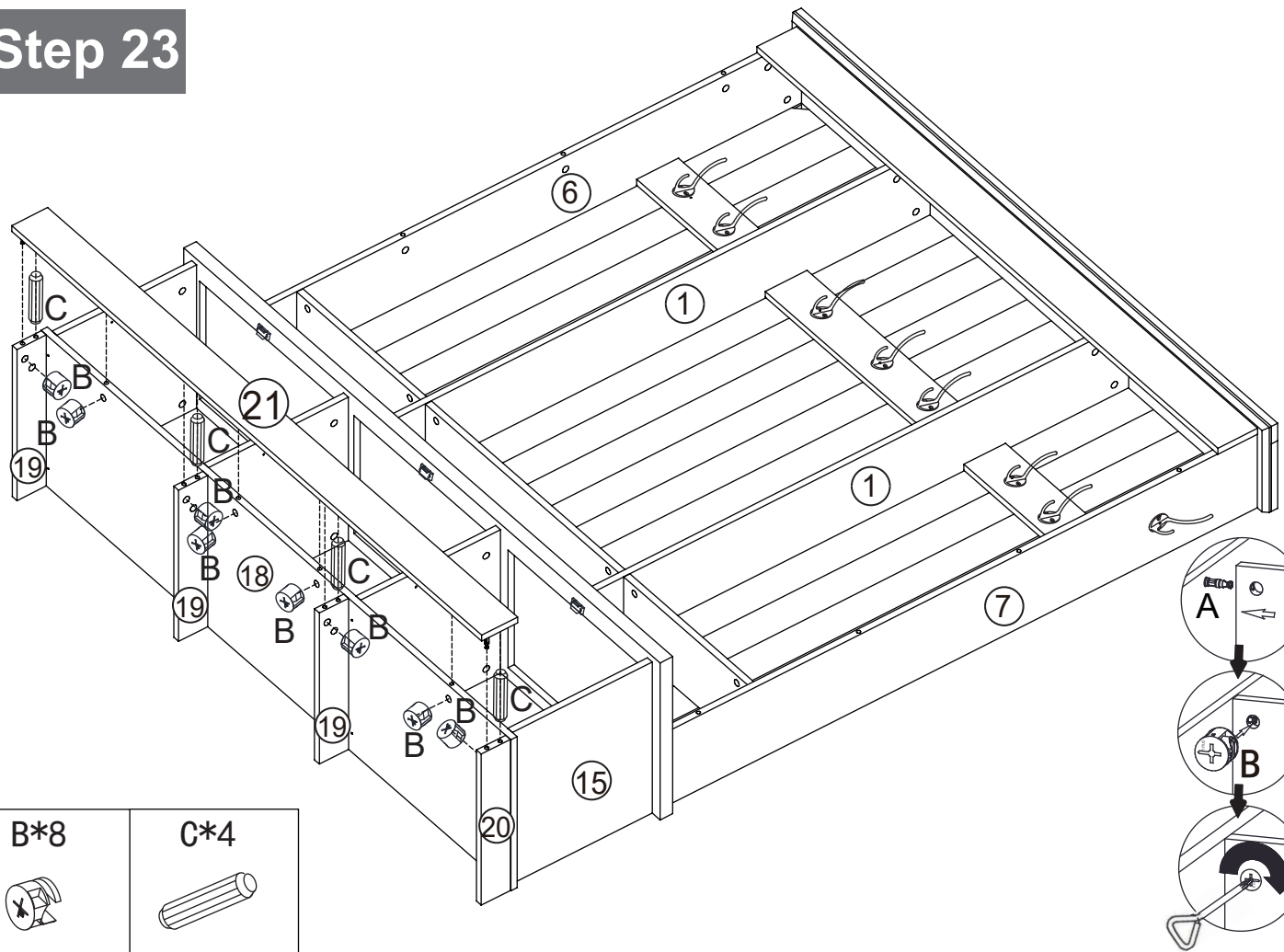
Step 22



B*8



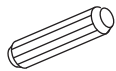
Step 23



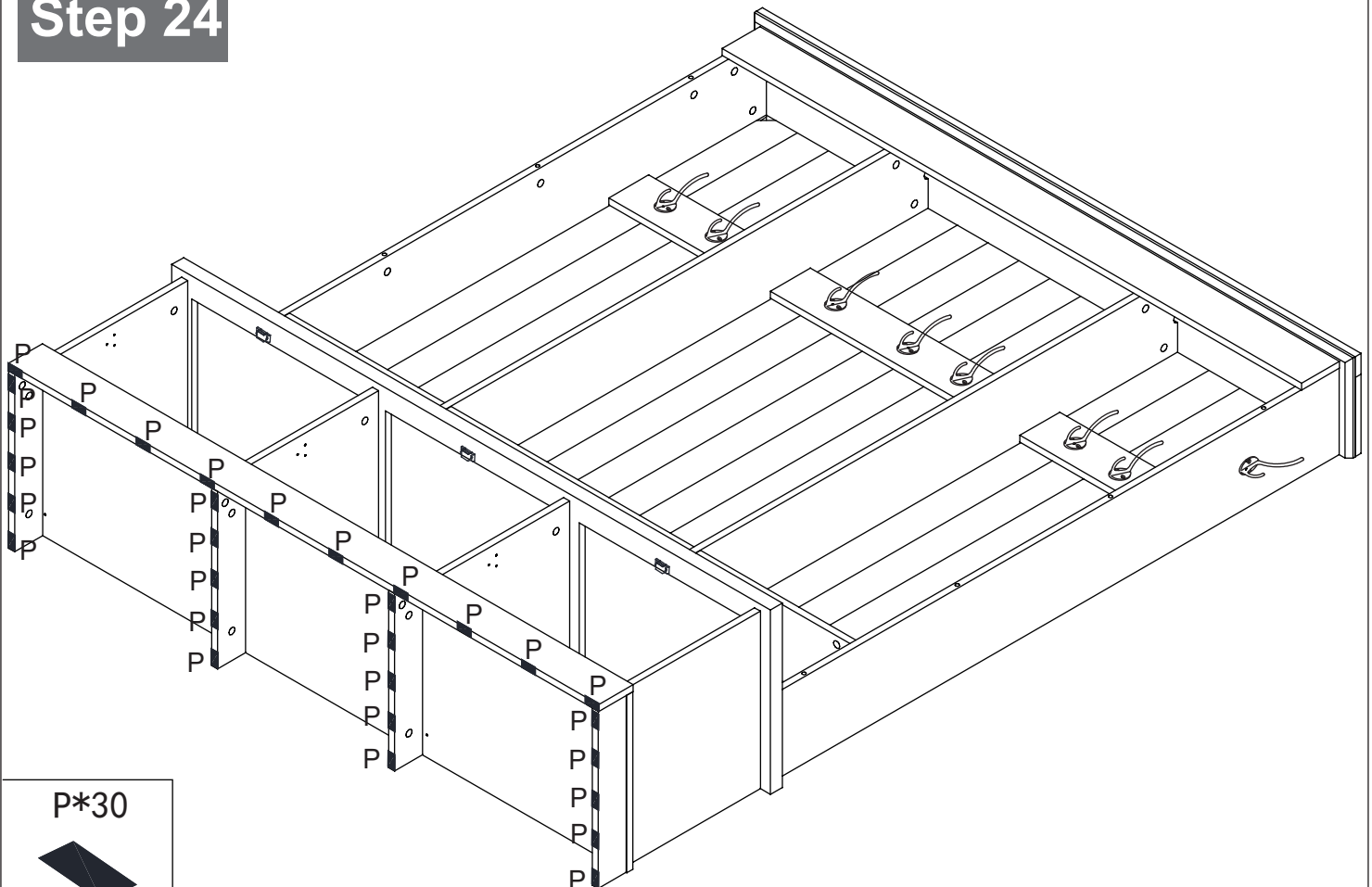
B*8



C*4



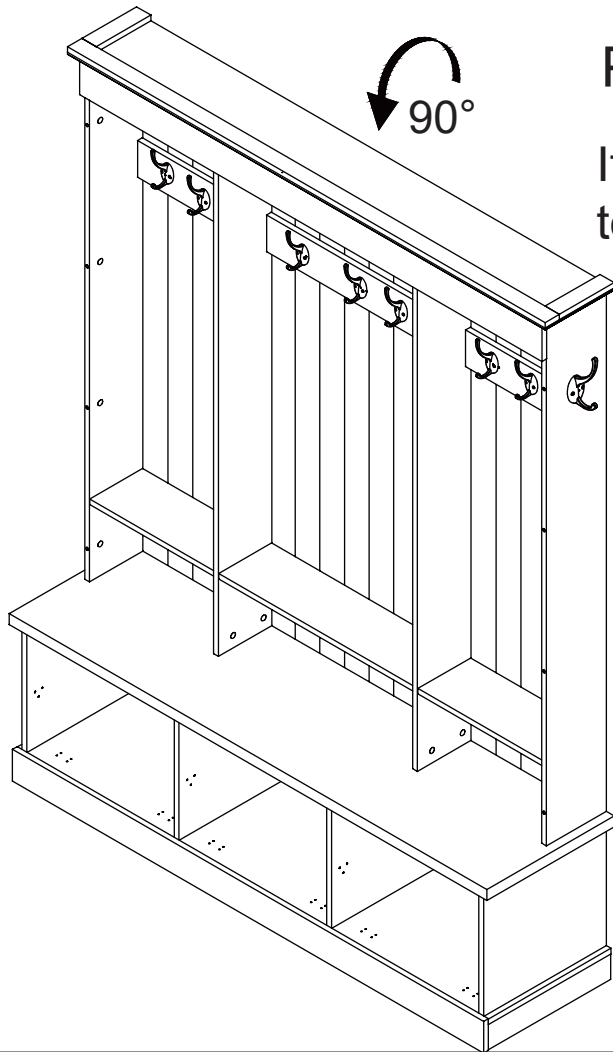
Step 24



P*30



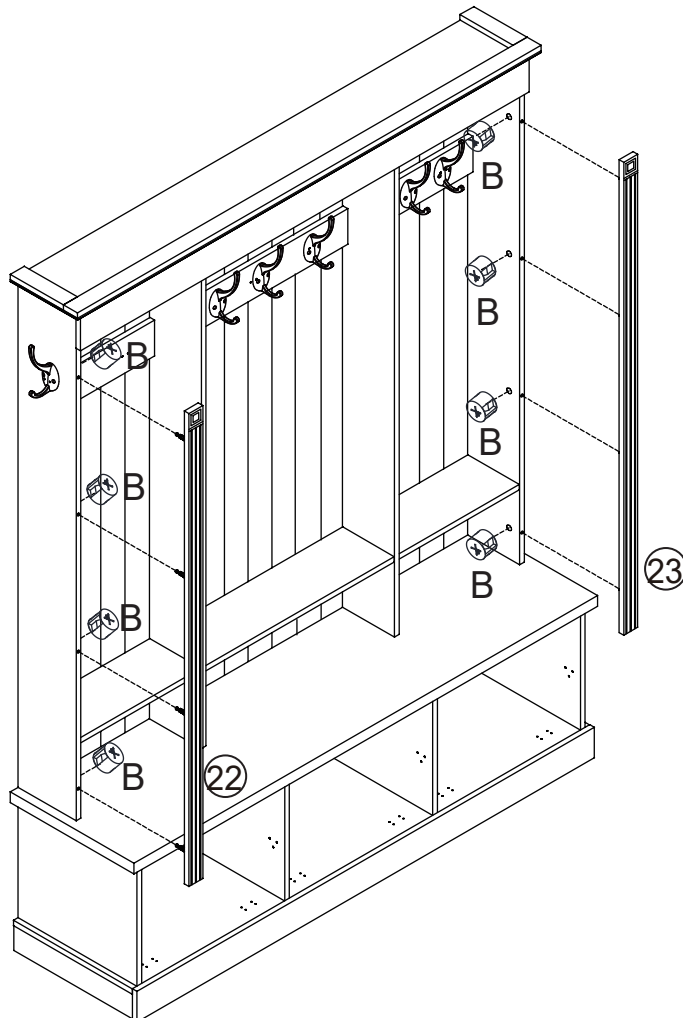
Step 25



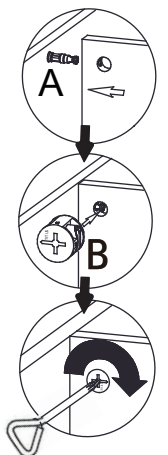
Please flip carefully!

It's better if two people work together on this step.

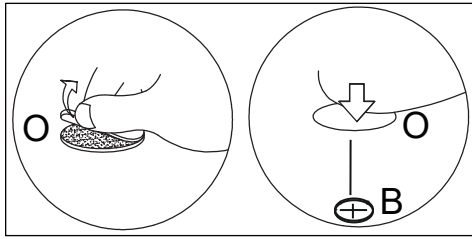
Step 26



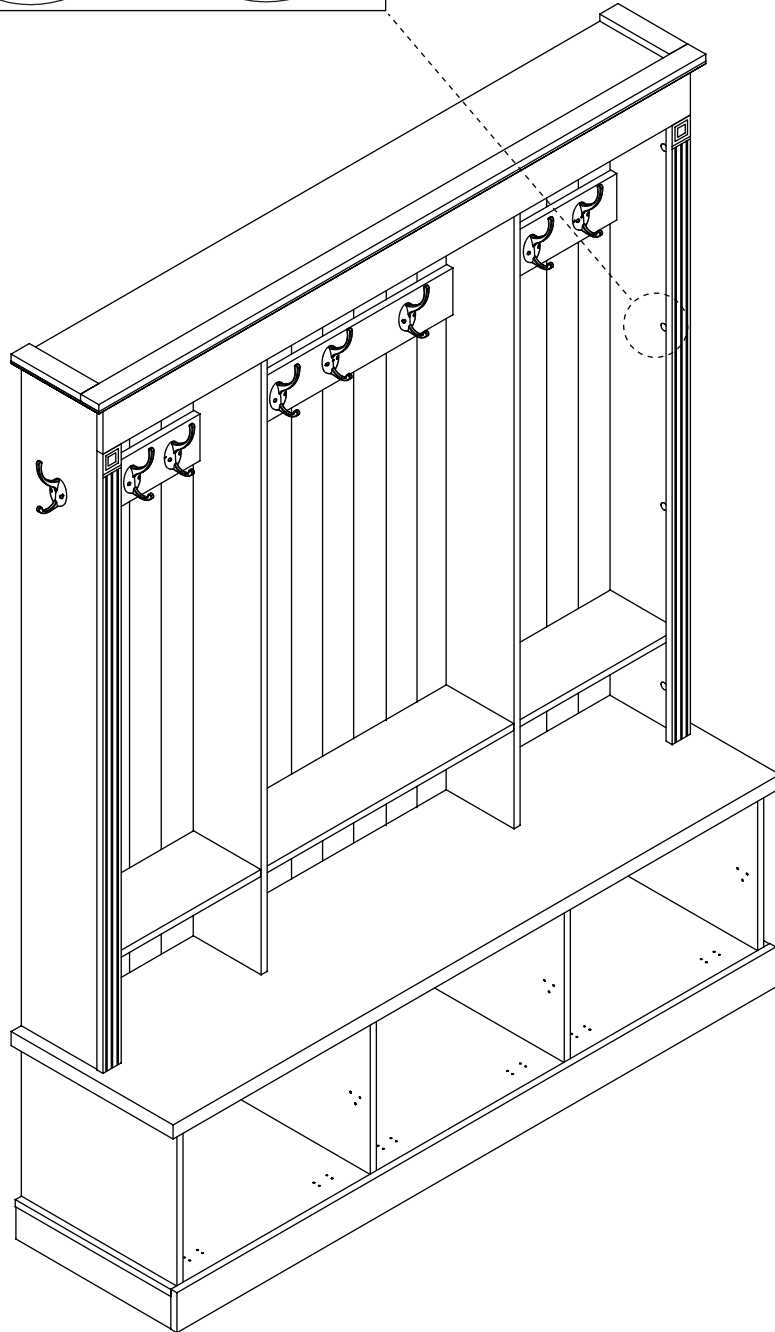
B*8



Step 27



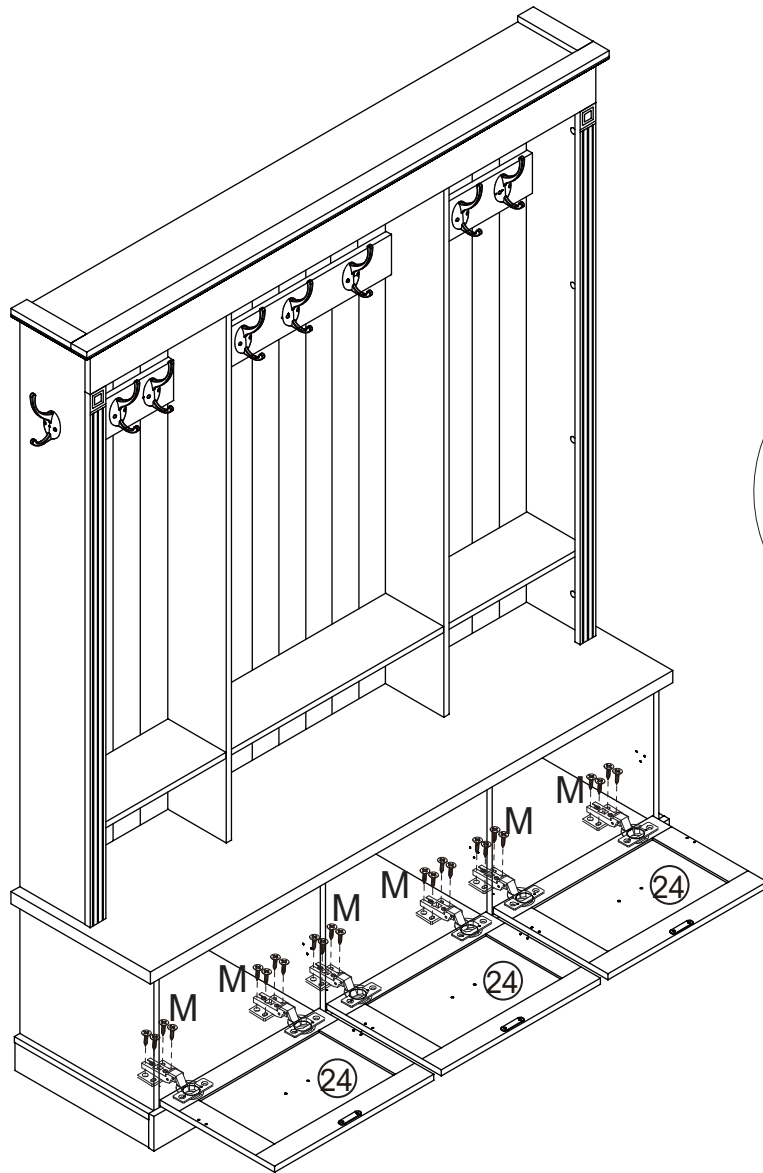
Please stick the hardware "O" on the exposed hole that makes your product more beautiful.



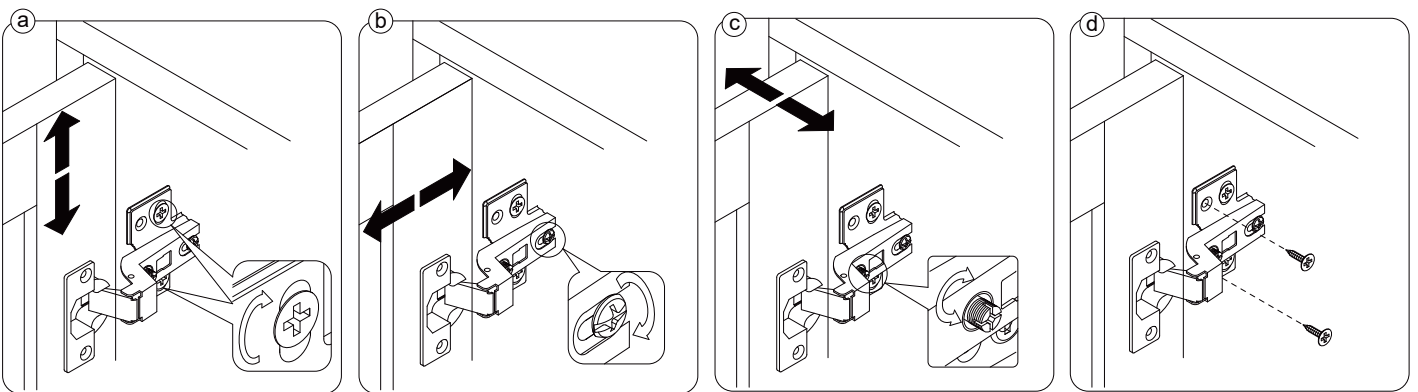
0*40



Step 28



When the hinges are installed, you can refer to the pictures to adjust crevice of the doors till it's perfect:

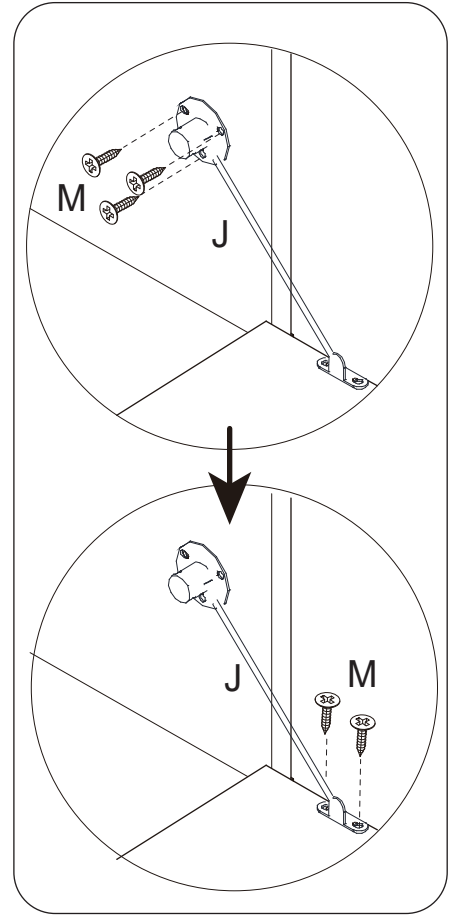
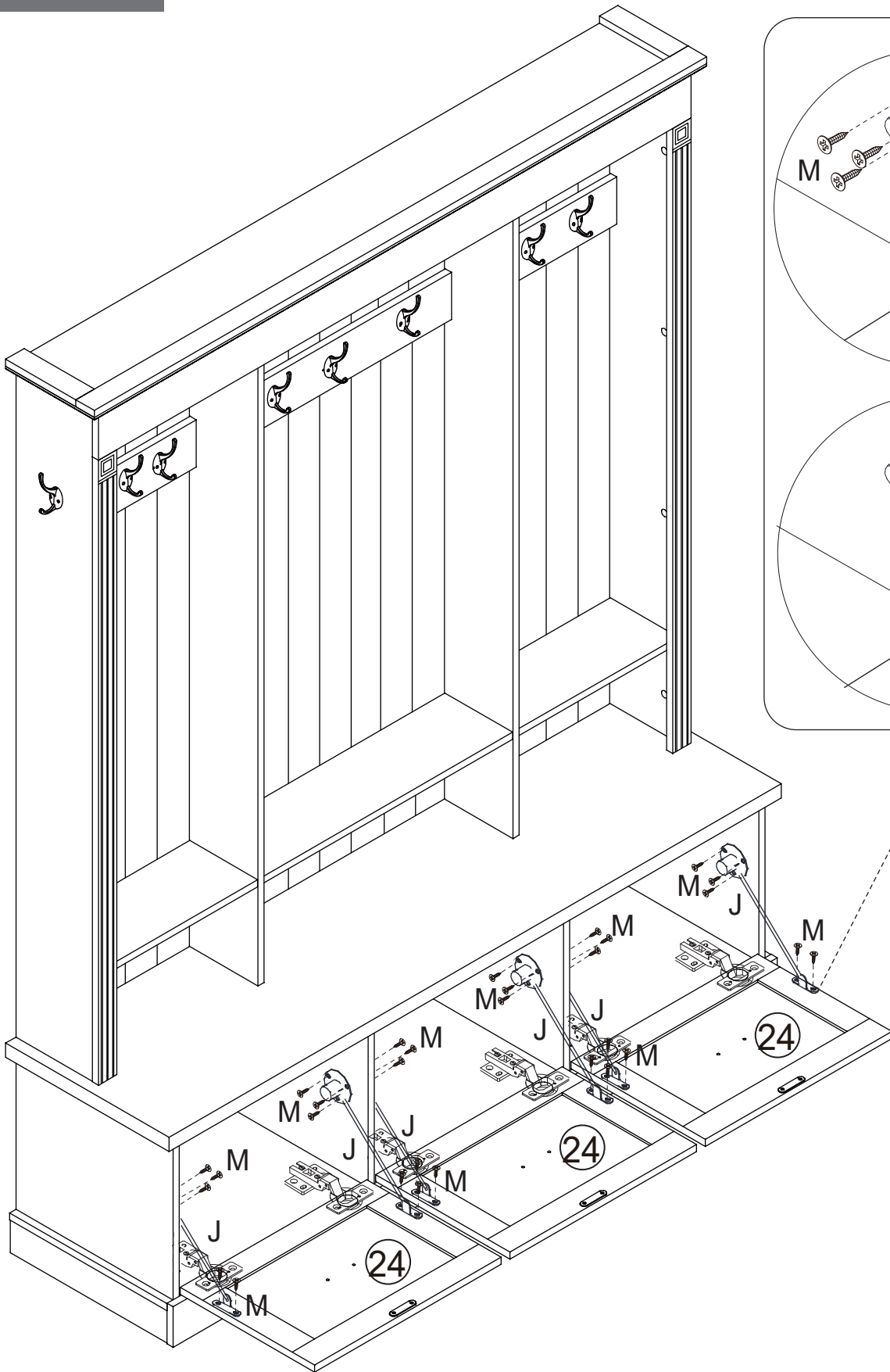


1. To adjust the doors up and down, please refer to step (a)
2. To adjust the distance between the doors and side panels, please refer to step(b)
3. To adjust the gap between two doors, please refer to step (c)
4. After the adjustment finished, please tight the screws, refer to step (d)

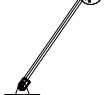
M*24



Step 29



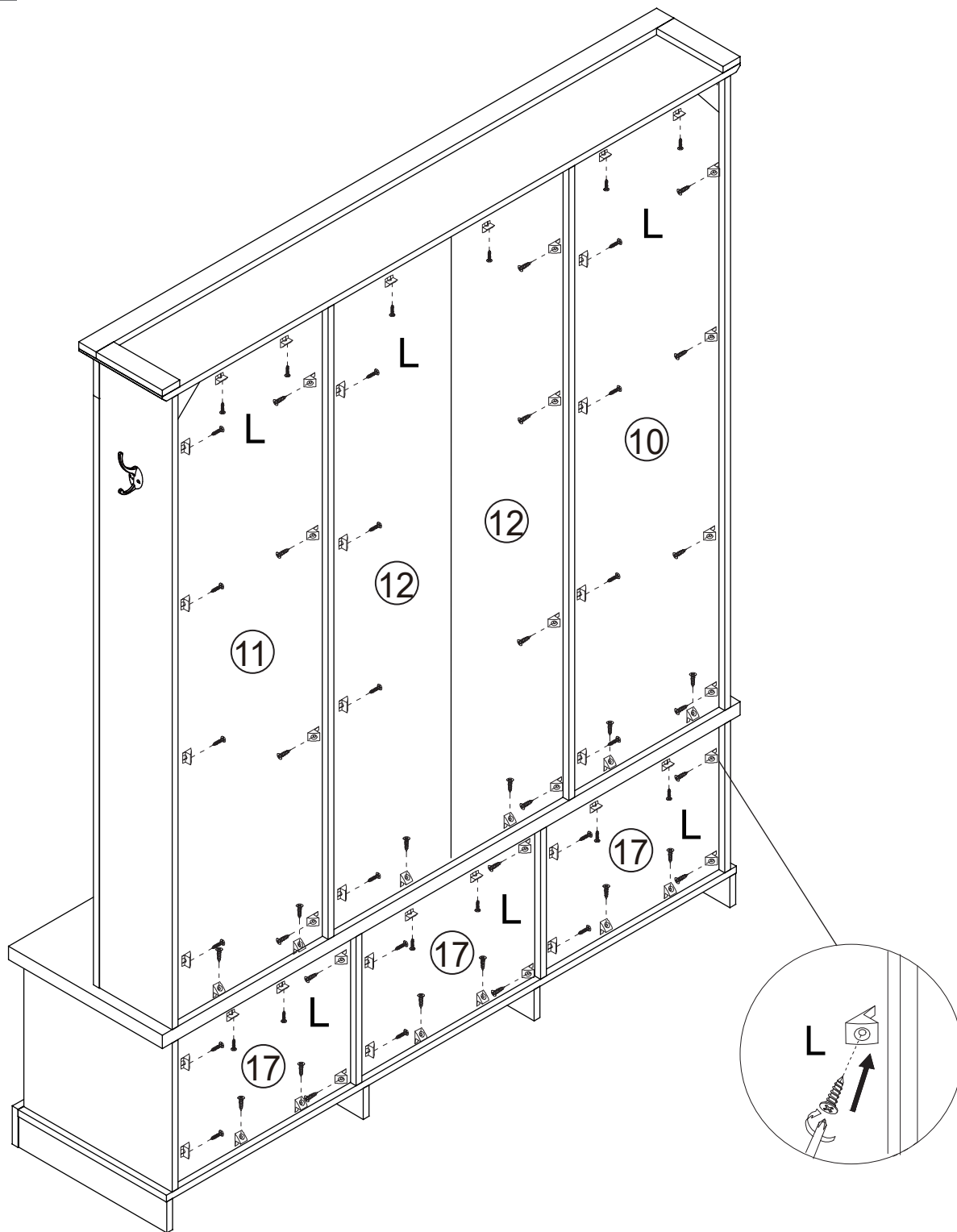
J*6



M*30



Step 30

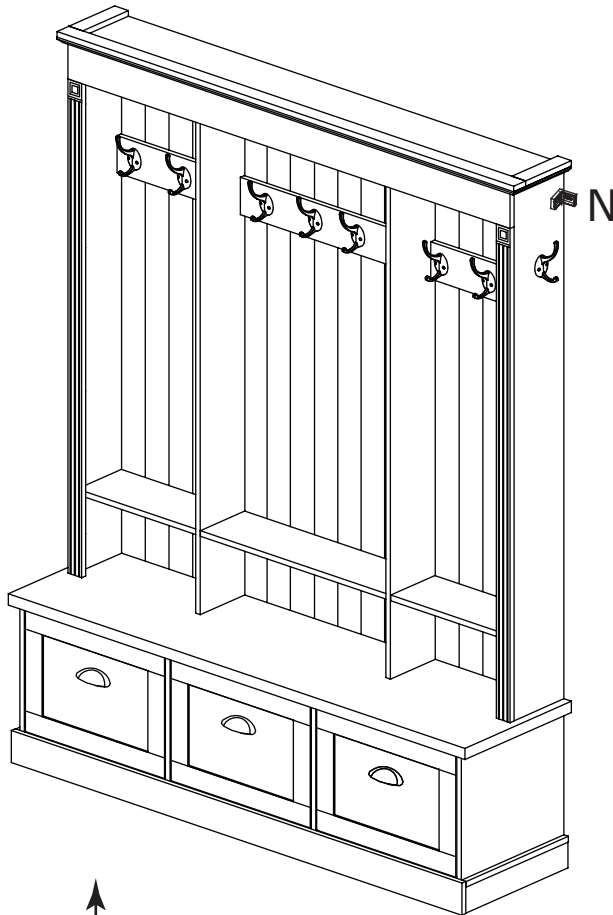


As the picture shows,
Fix hardware "L" into the gap with screws
to make the back panel more stable.

L*60

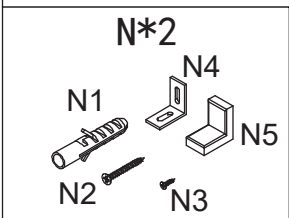
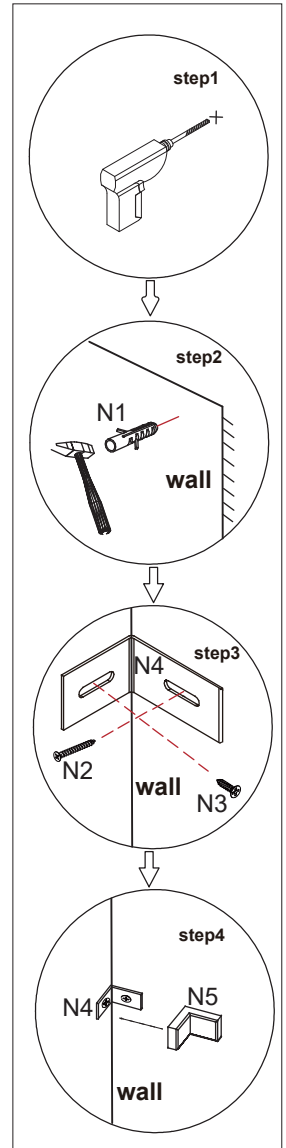
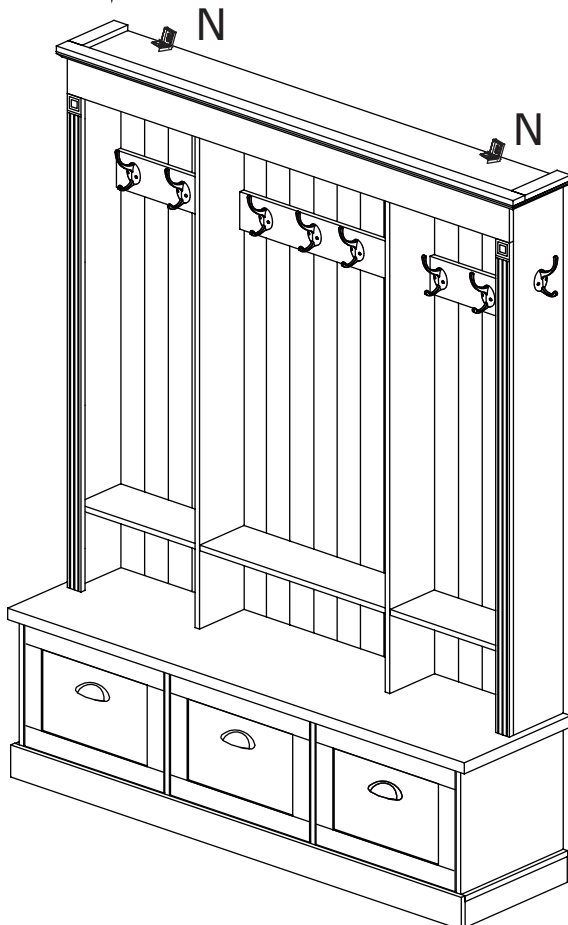


Step 31



OR

This is anti-dumping L-type iron sheet, fixed to the wall of the product, can be required to change the installation location



FINISJH

