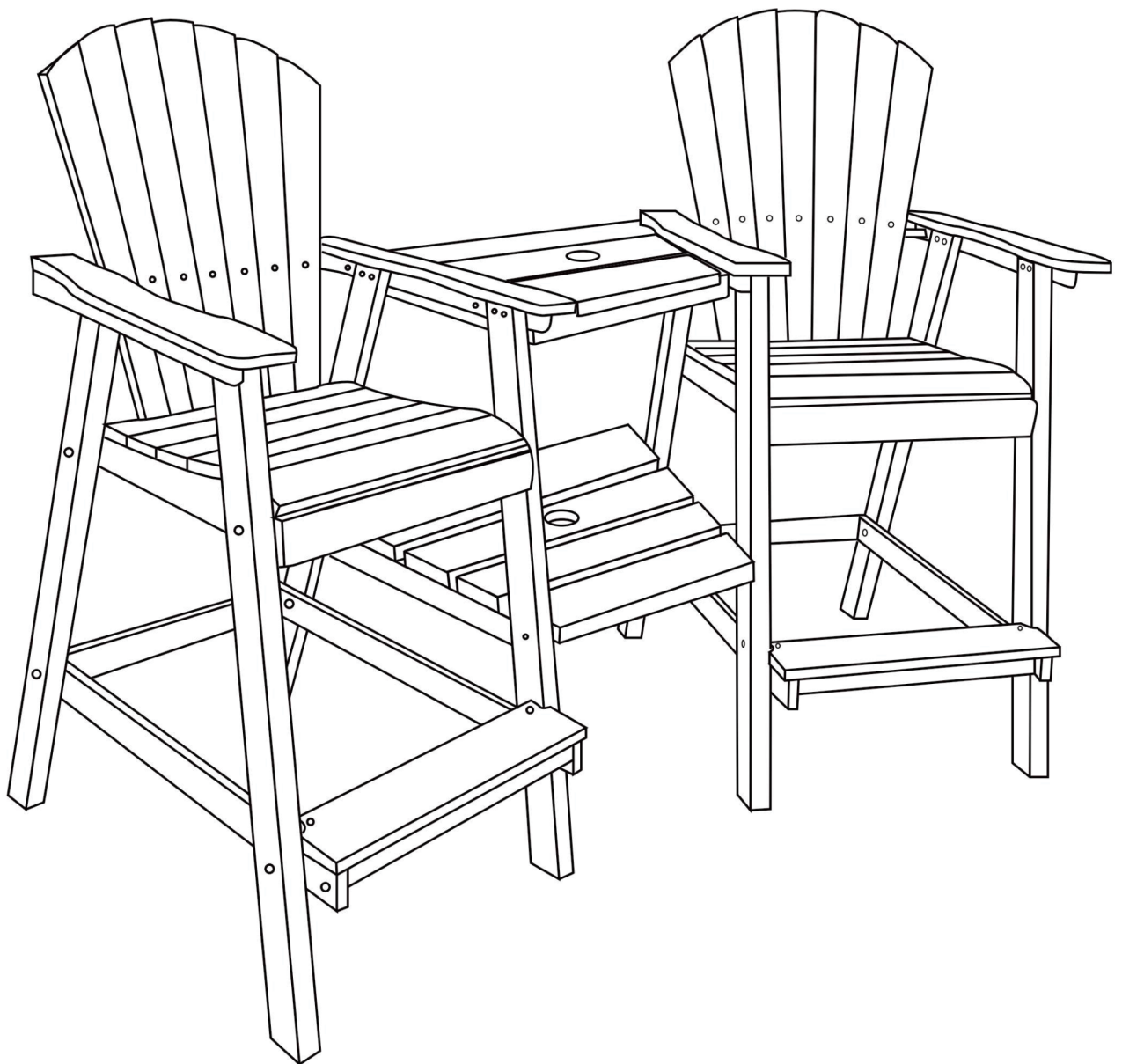


USER'S MANUAL

Product Name: **Outdoor Adirondack Chair Set**



THIS INSTRUCTION BOOKLET CONTAINS **IMPORTANT SAFETY INFORMATION**.
PLEASE READ AND KEEP FOR FUTURE REFERENCE.

Contact Us

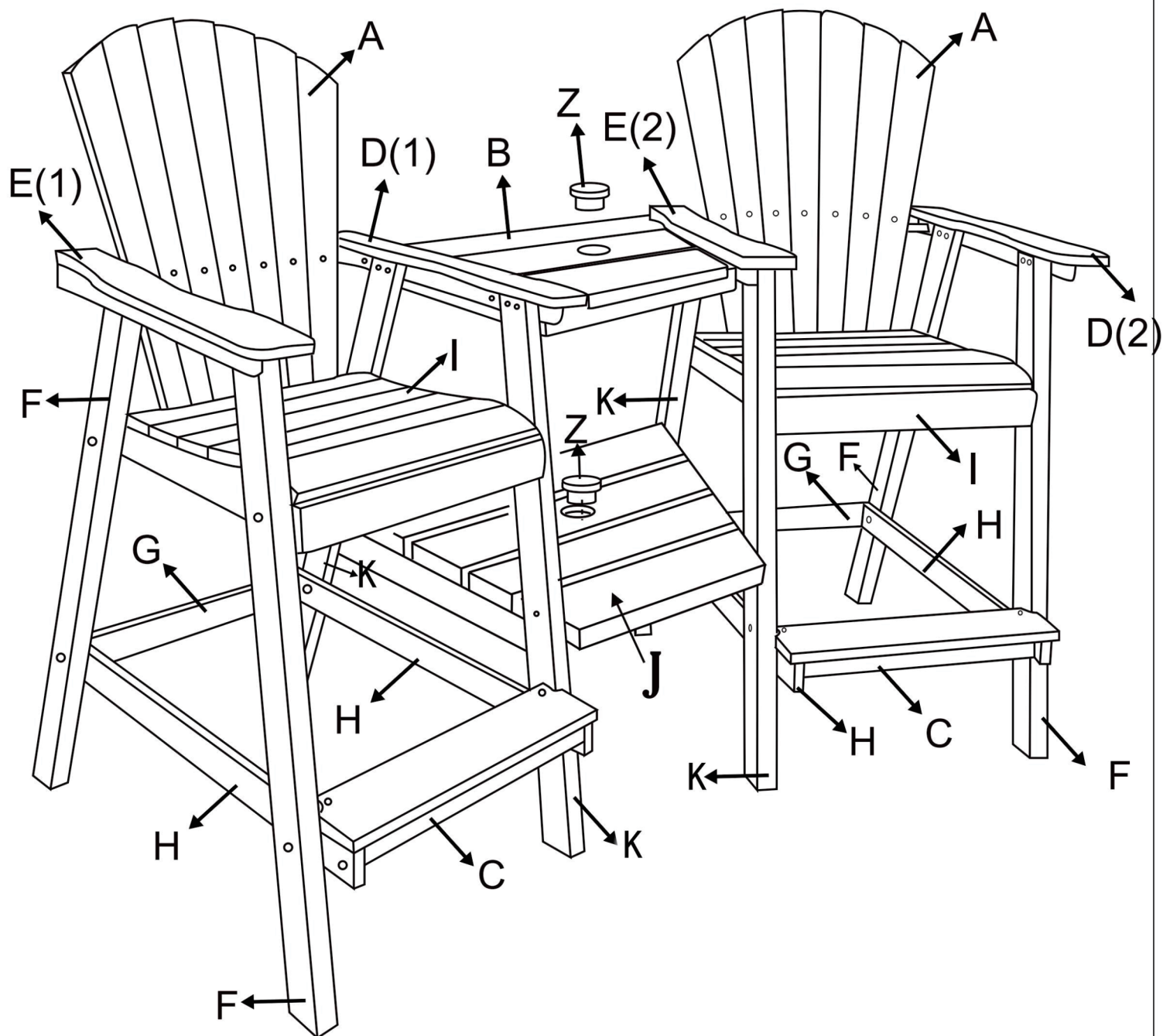
If you have any problem, please give us a chance to make it right for you!

Contact our friendly customer service department for help first. Replacements for missing or damaged parts will be shipped ASAP!

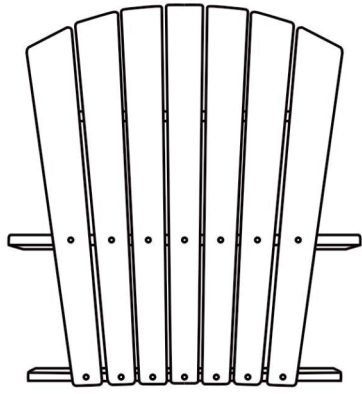
Before You Start

- Please read all instructions carefully.
- Retain instructions for future reference.
- Separate and count all parts and hardware.
- Read through each step carefully and follow the proper order.
- We recommend that, where possible, all items are assembled near to the area in which they will be placed in use, to avoid moving the product unnecessarily once assembled.
- Always place the product on a flat, steady and stable surface.
- Keep all small parts and packaging materials for this product away from babies and children.

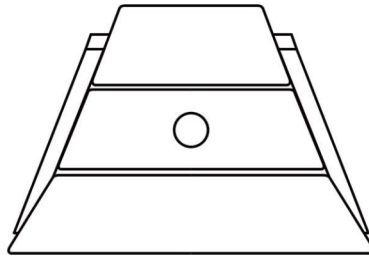
KNOW YOUR PARTS



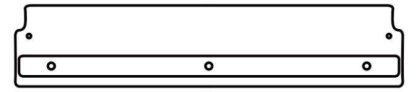
Matters need attention First align the connecting board J and B with the holes of the 4 K feet, put the screws together, and finally tighten the screws. Do not install one side and tighten before installing the other side, this way will make gaps and holes not aligned.



Part A x 2

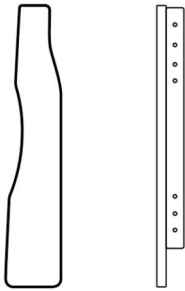


Part B x 1



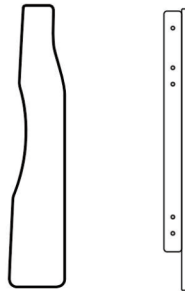
Part C x 2

Surface Inside



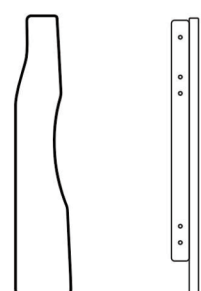
Part D(1) x 1

Surface Inside



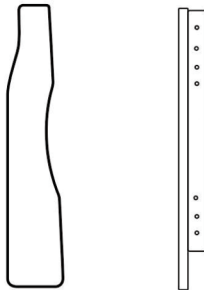
Part D(2) x 1

Surface Inside

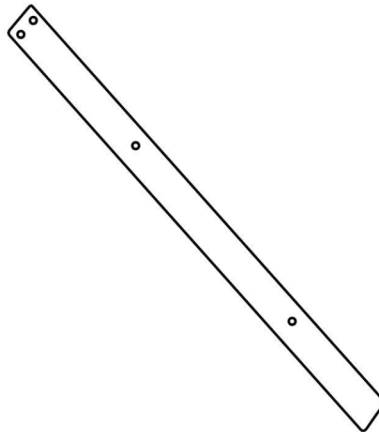


Part E(1) x 1

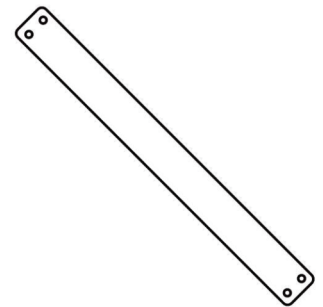
Surface Inside



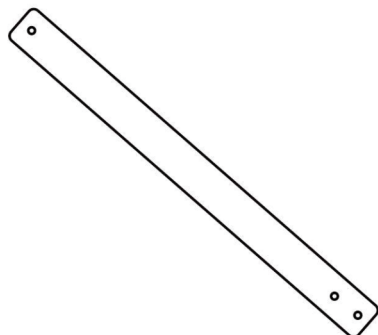
Part E(2) x 1



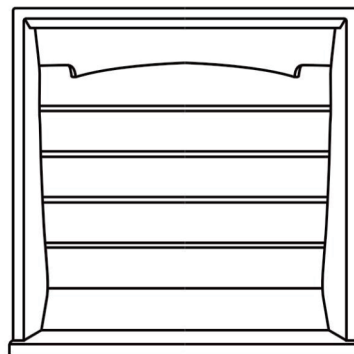
Part F x 4



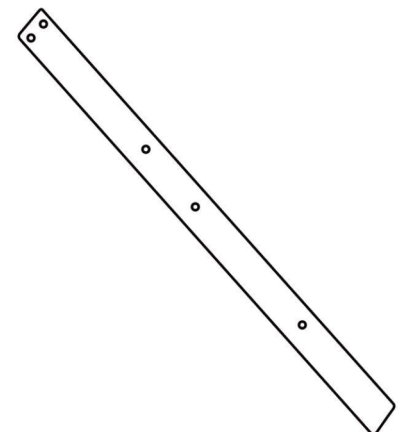
Part G x 2



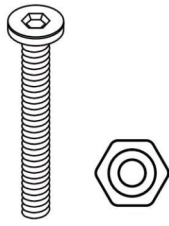
Part H x 4



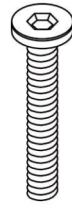
Part I x 2



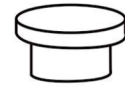
Part K x 4



Screw A(80mm)×32
Nut×32



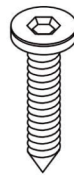
Screw B(50mm)×4



Part Z x 2



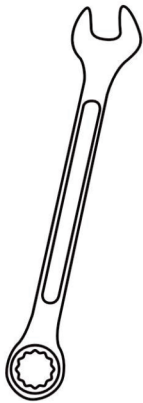
Screw D (40mm)×20



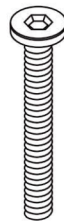
Screw J (42mm)×4



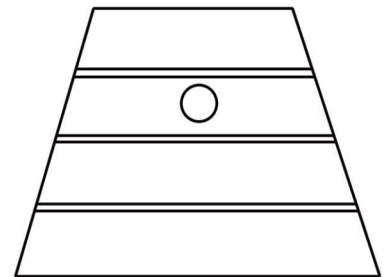
Wrench A x 1



Wrench B x 1



Screw K (60mm)×4



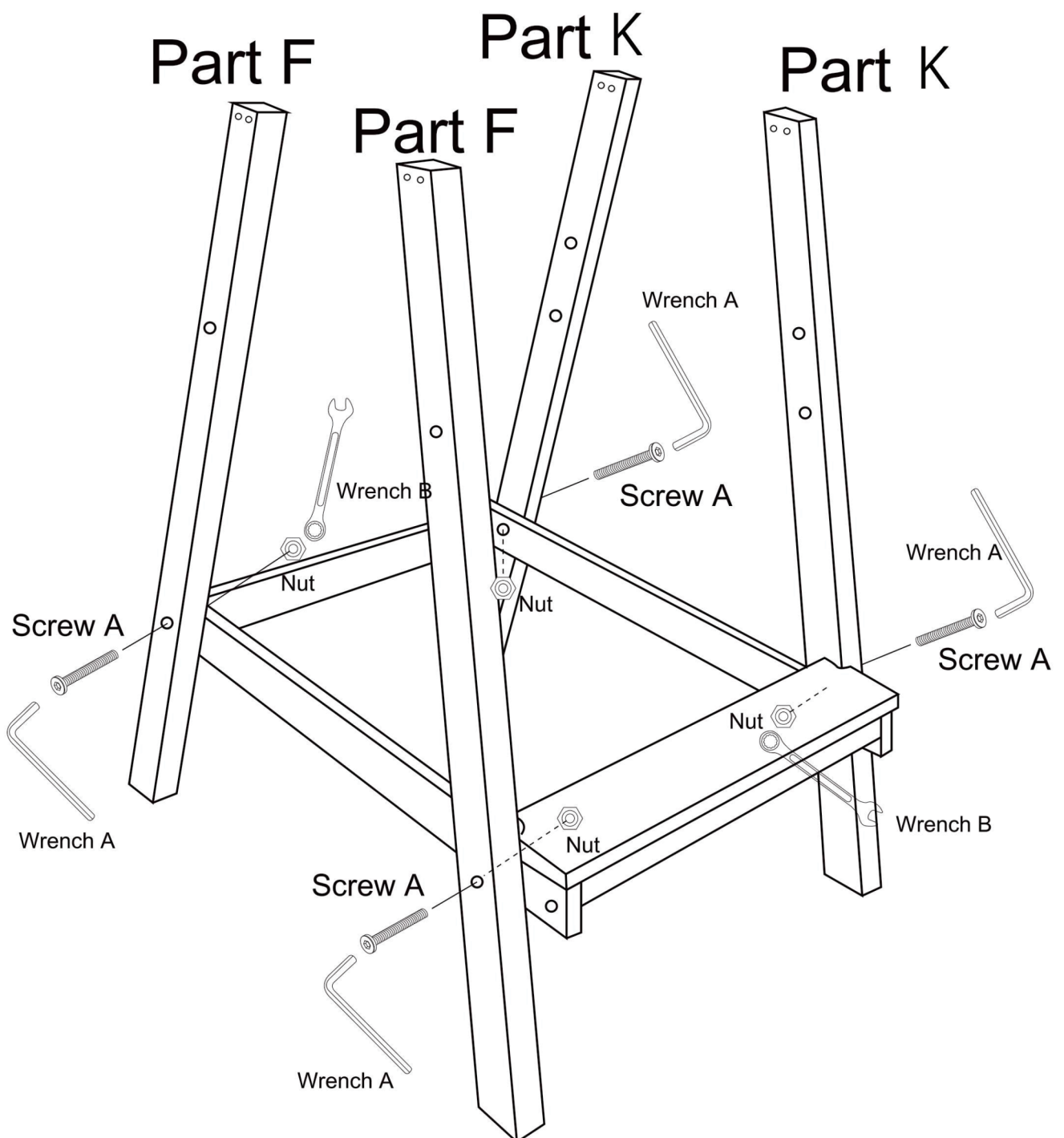
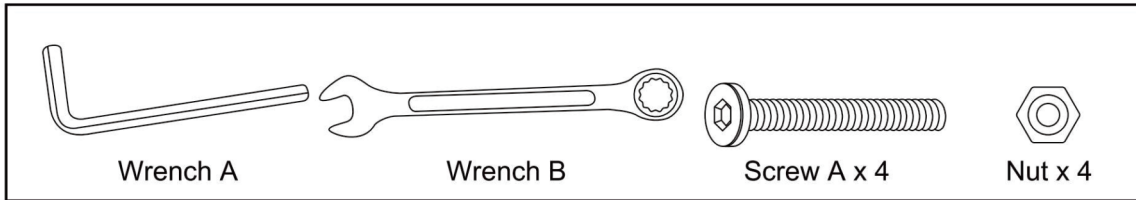
Part J x 1

Step 2:

Take out Part F x 2 and k x 2(The side with two screw holes faces up) , install them with Screw A x 4 and Nut x 4(As shown in the figure below).

PS: Please note that Screw A is a non-slip Screw. Use a Wrench to clamp the Nut and then tighten it with a hexagon Wrench.

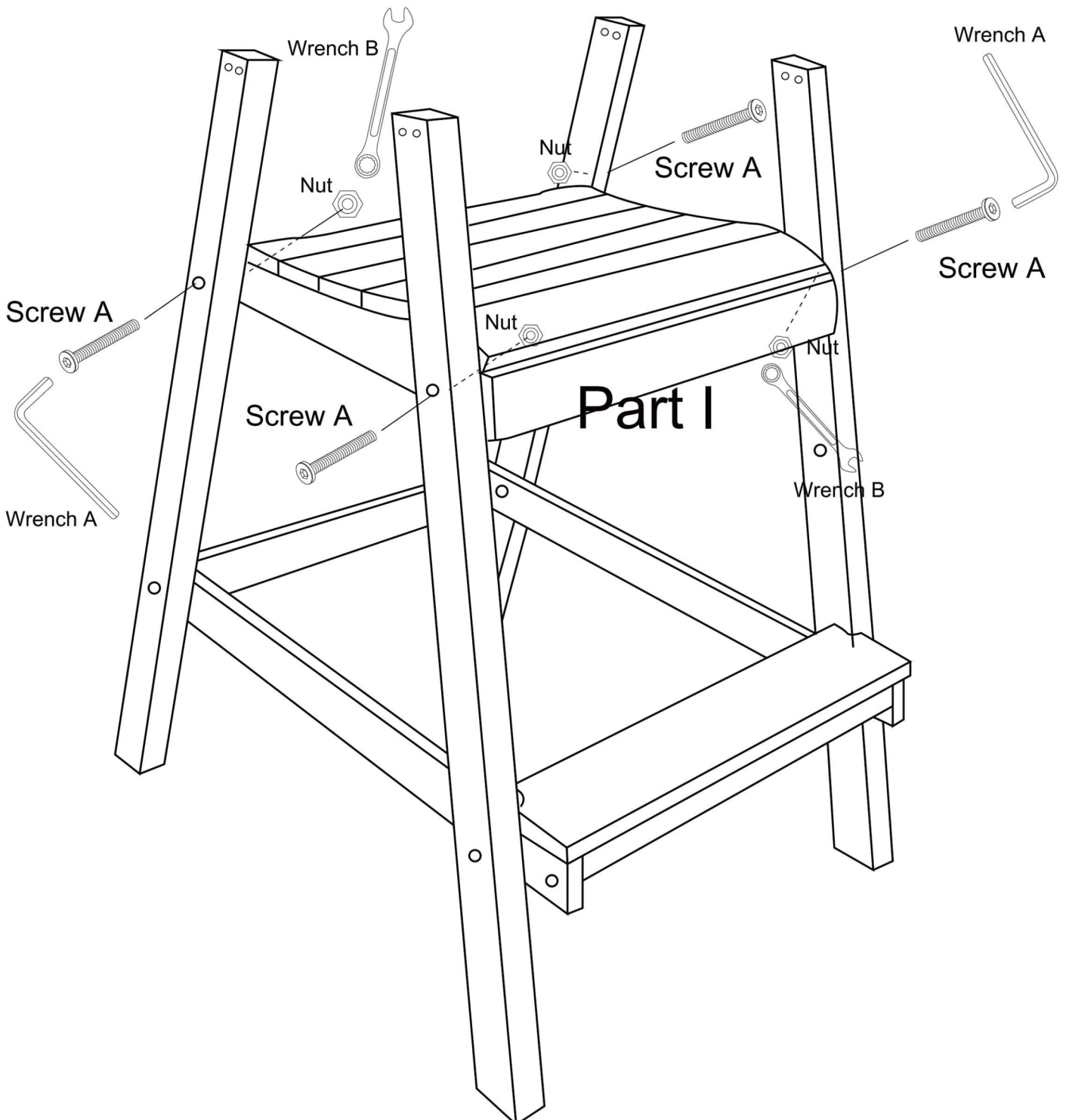
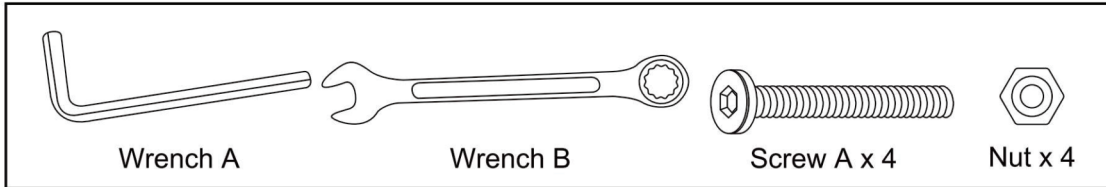
Part K should be installed on the inner side, and a hole for installing Part J is reserved in the middle of the column.



Step 3:

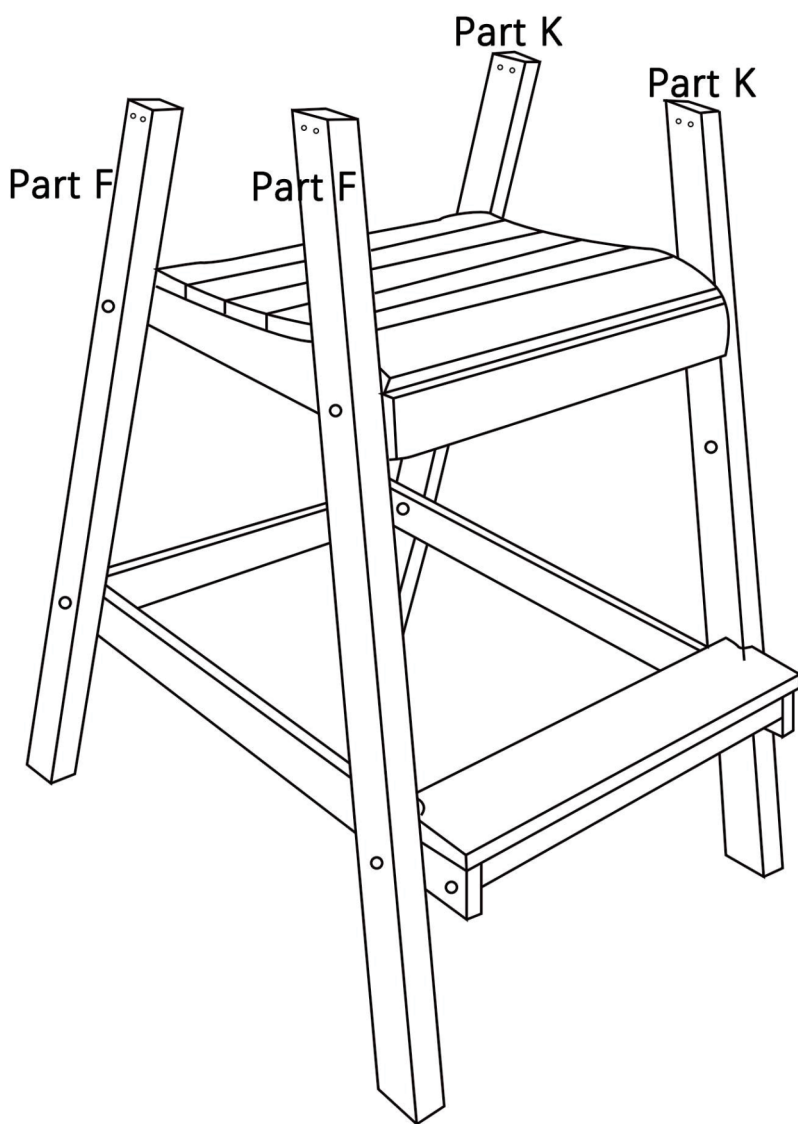
Take out Part I x 1, install it with Screw A x 4 and Nut x 4 (As shown in the figure below)

PS: Please note that Screw A is a non-slip Screw. Use a Wrench to clamp the Nut and then tighten it with a hexagon Wrench.

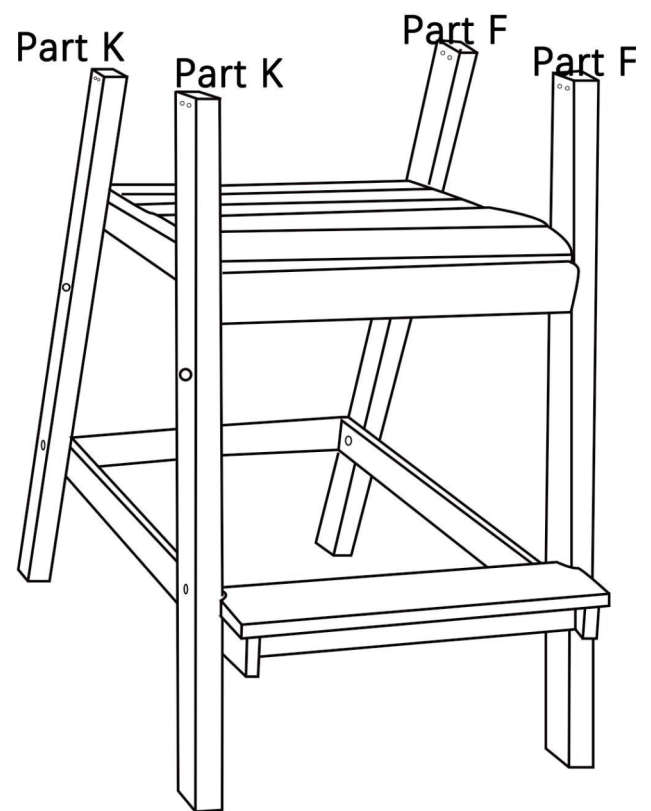


Step 4:

Install chair 2 according to the above steps of installing chair 1, and the final effect is shown in the following figure.



Chair 1

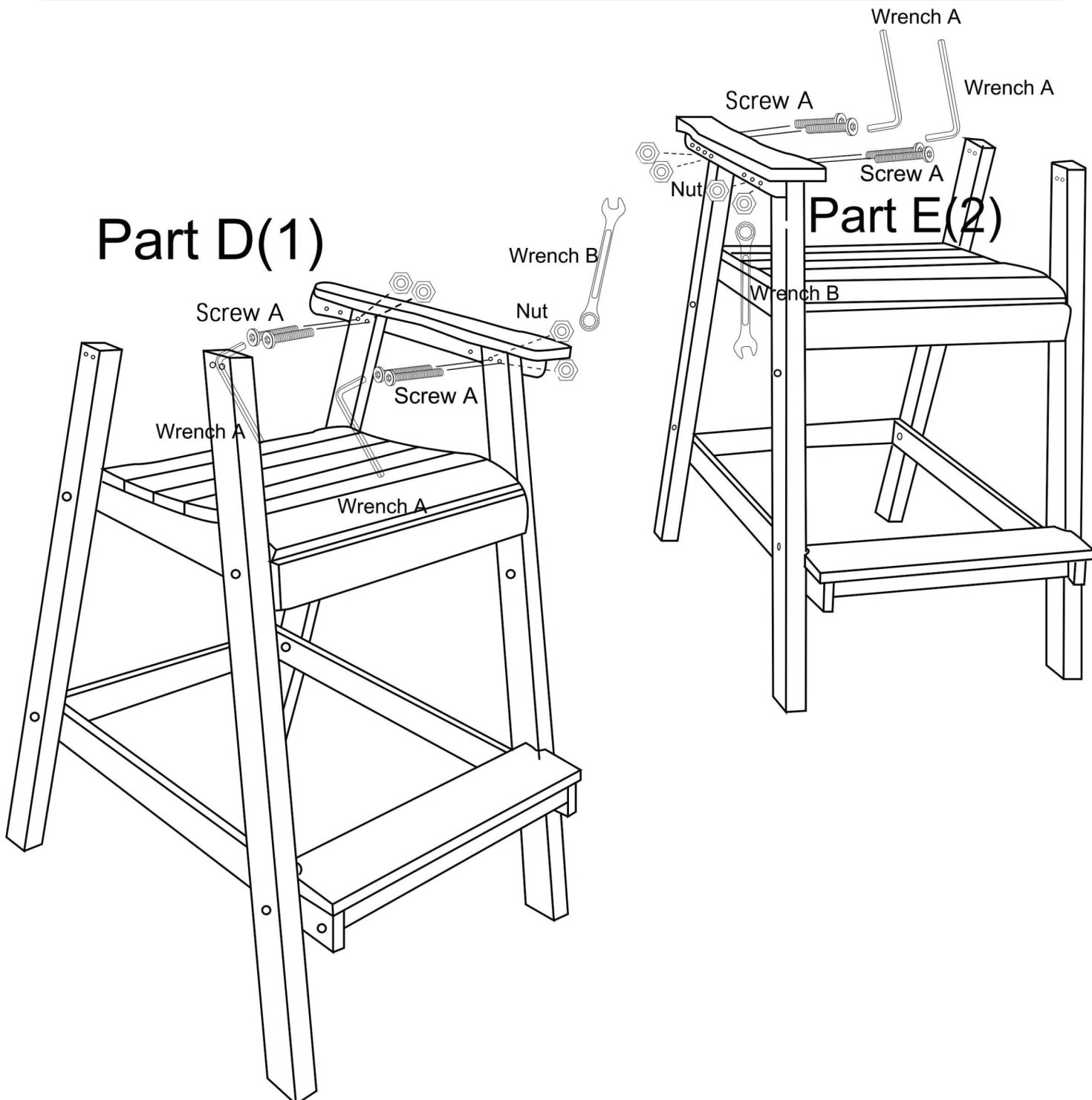
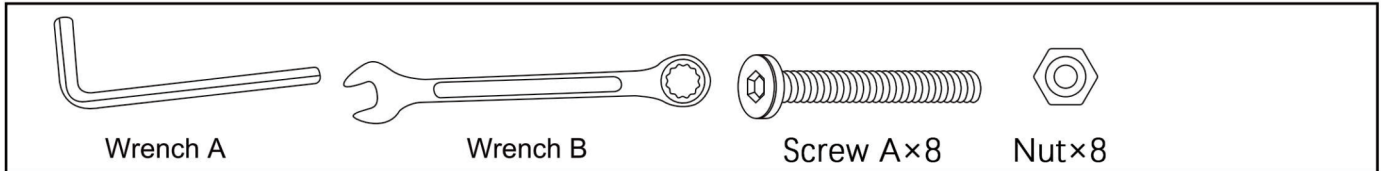


Chair 2

Step 5:

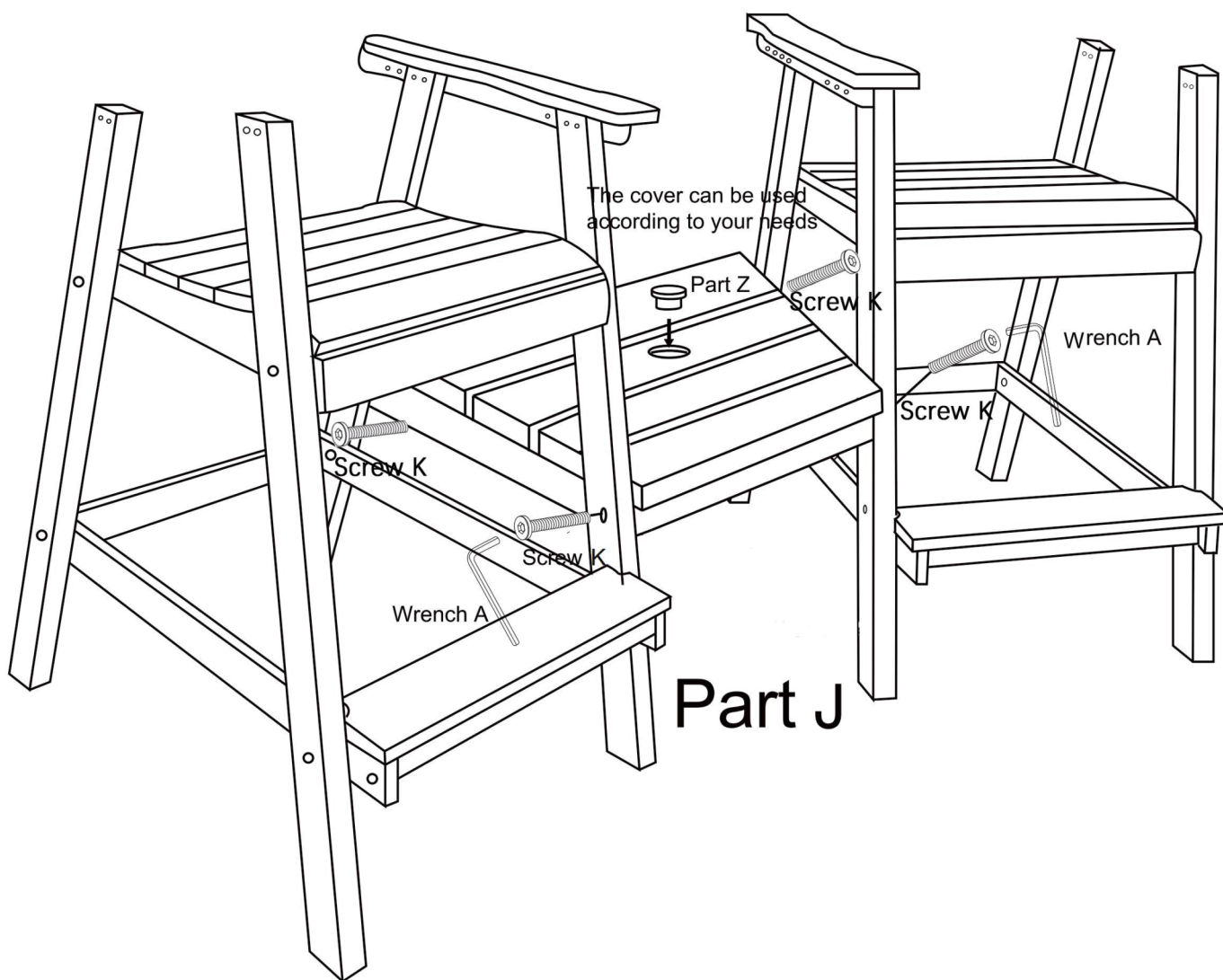
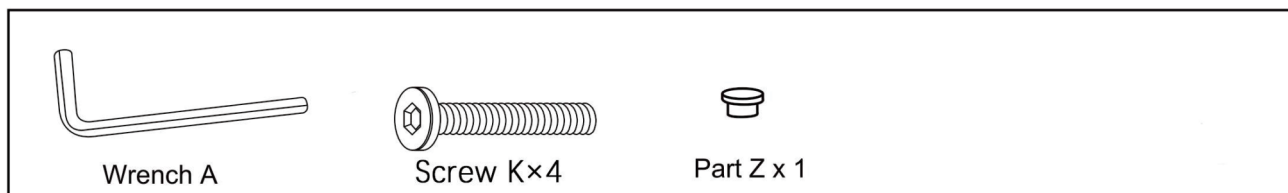
Take out Part D (1)x 1 and Part E(2)x 1 and install them on two chairs respectively, using Screw A x 8 (As shown in the figure below)

PS: Please note that Screw A is a non-slip Screw. Use a Wrench to clamp the Nut and then tighten it with a hexagon Wrench.



Step 6-1:

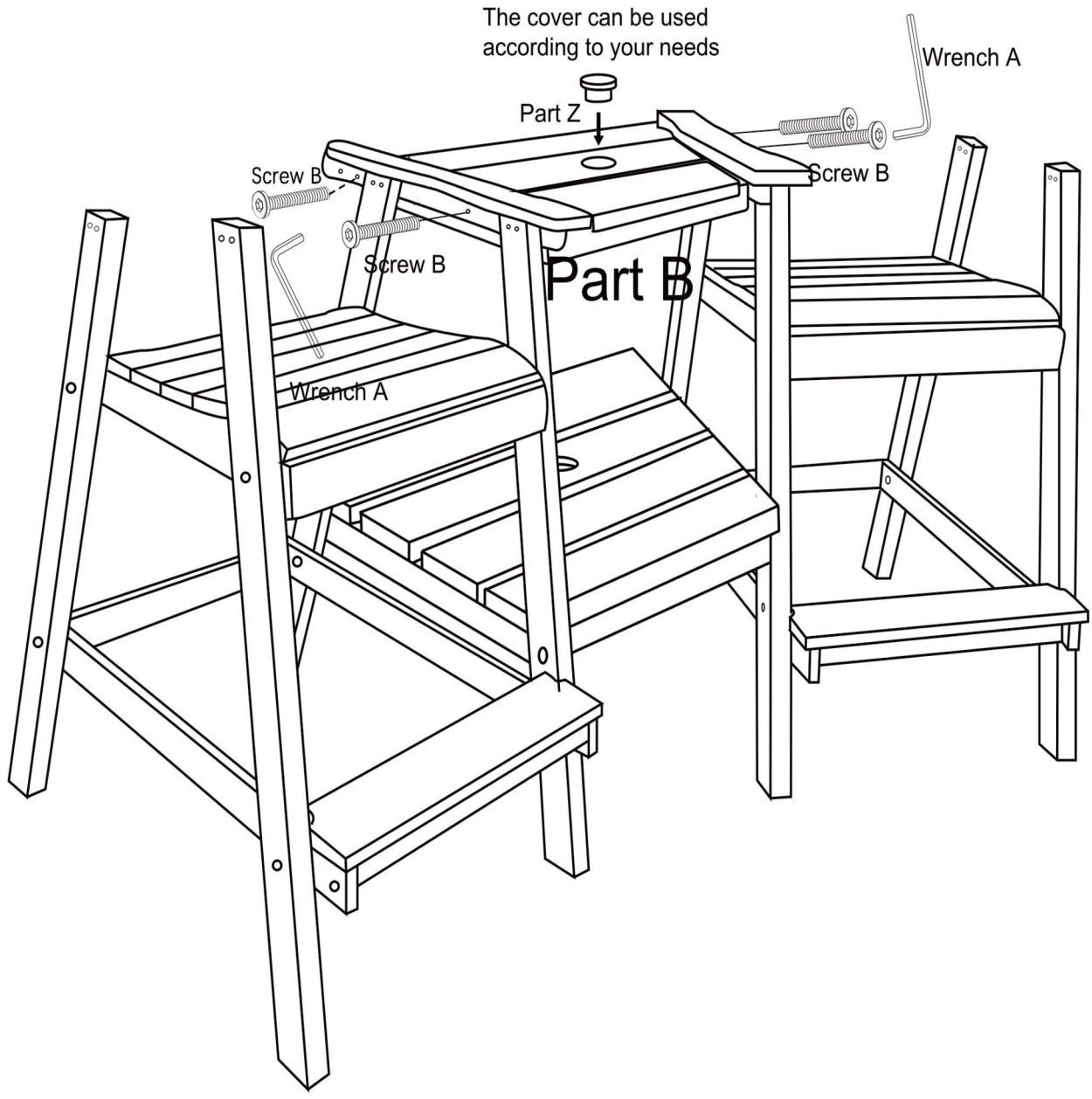
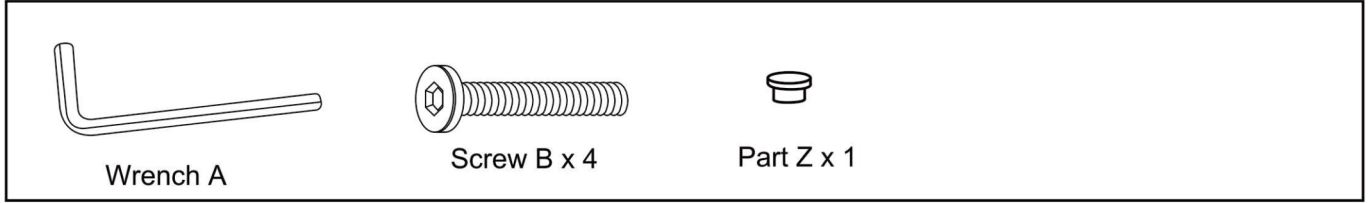
Take out Part J x 1 and install it in the middle of the two chair armrests, using Screw K x 4 (As shown in the figure below)



Matters need attention First align the connecting board J and B with the holes of the 4 K feet, put the screws together, and finally tighten the screws. Do not install one side and tighten before installing the other side, this way will make gaps and holes not aligned.

Step 6-2:

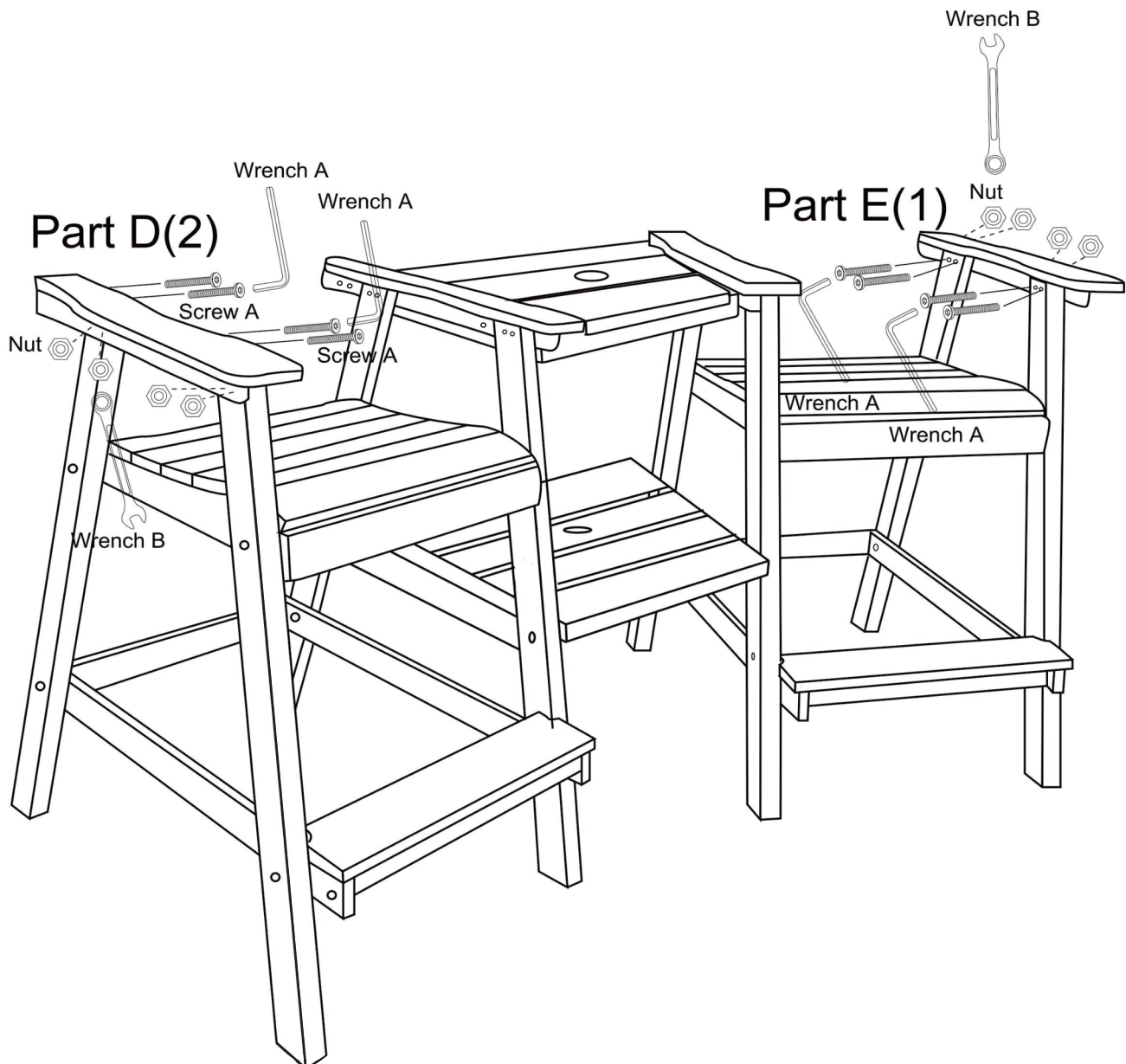
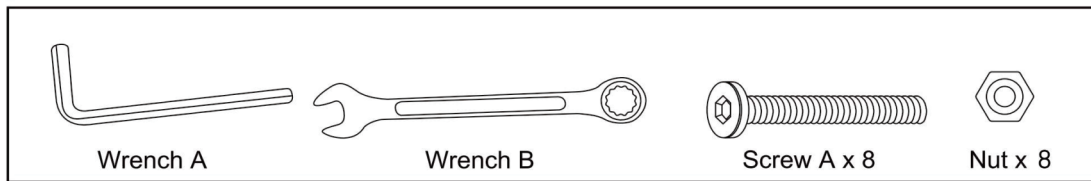
Take out Part B x 1 and install it in the middle of the two chair armrests, using Screw B x 4 (As shown in the figure below)



Step 7:

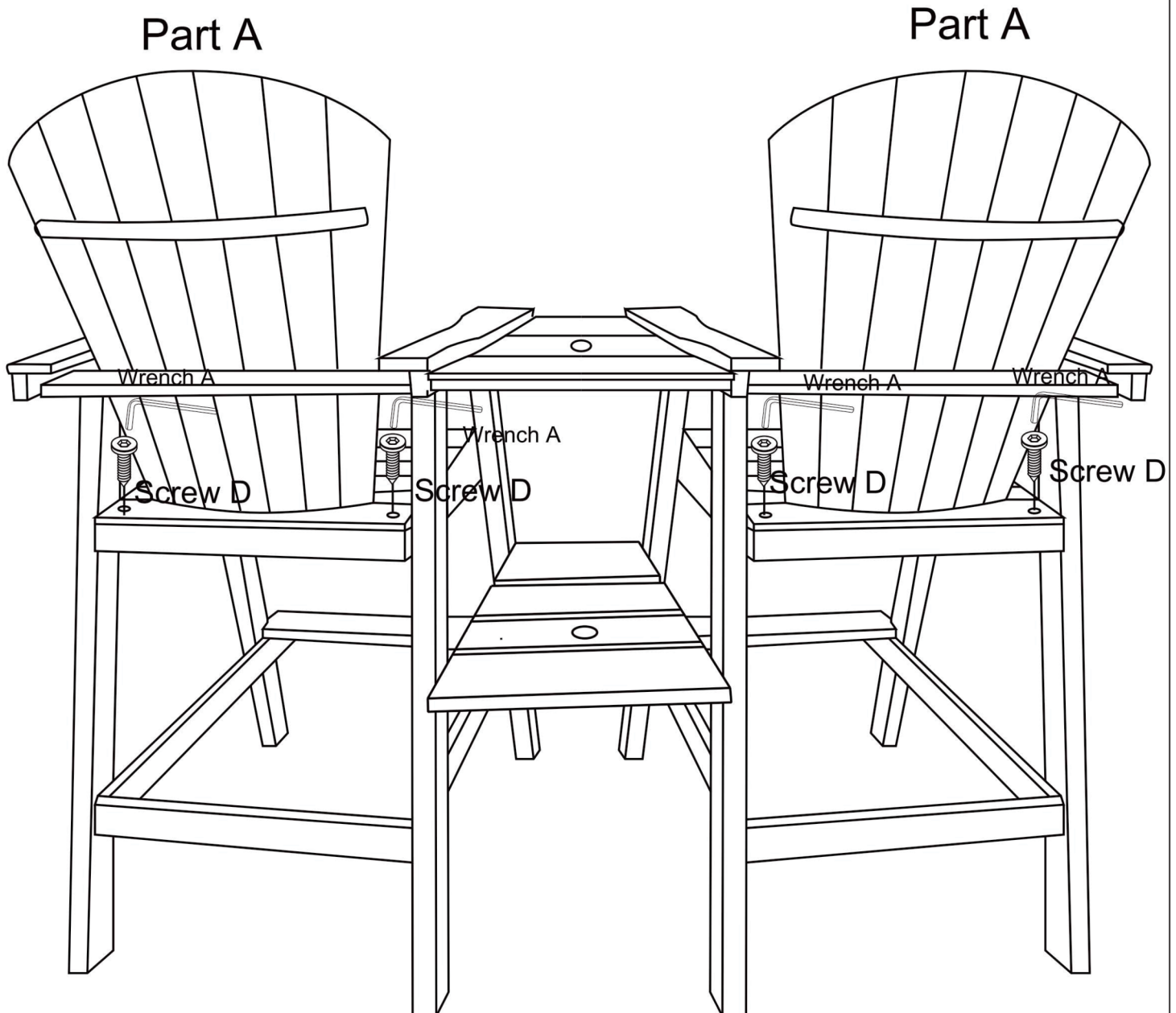
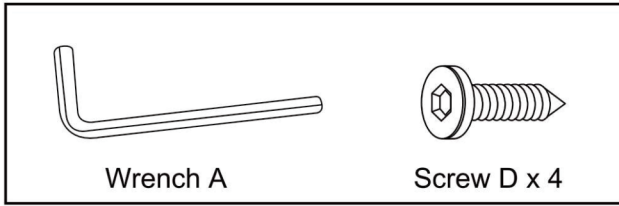
Take out Part D (2) x 1 and Part E (2) x 1 and install them on two chairs respectively, using Screw A x 8 (As shown in the figure below)

PS: Please note that Screw A is a non-slip Screw. Use a Wrench to clamp the Nut and then tighten it with a hexagon Wrench.



Step 8:

Take out Part A x 2 and install them on two chairs respectively, using Screw D x 4 (As shown in the figure below)



Step 9:

Take out Part A x 2 and install them on two chairs respectively, using Screw J x 4 (As shown in the figure below)

