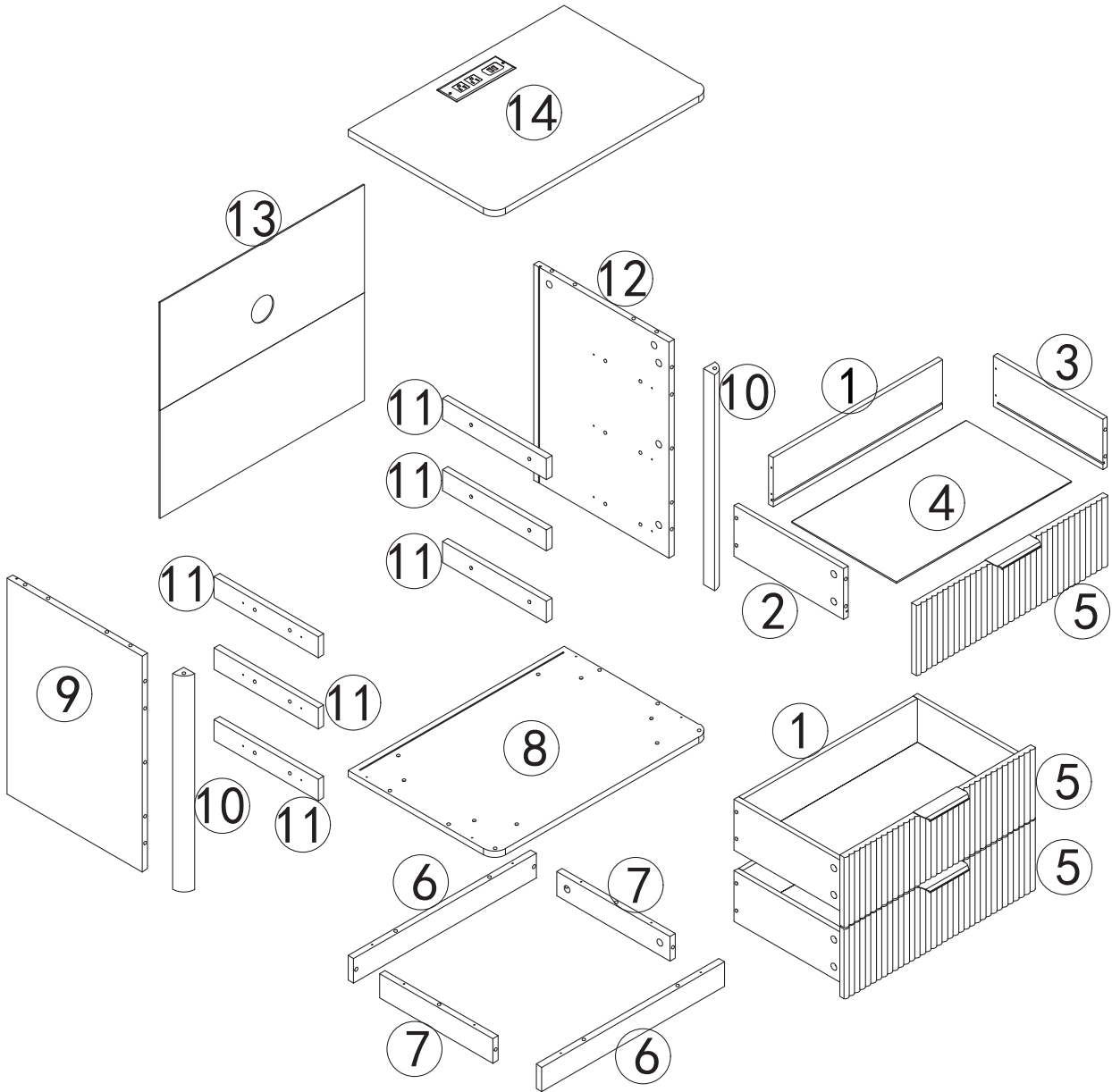


BESIDE TABLE

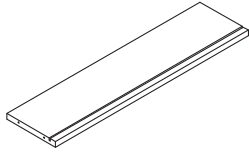
USER MANUAL

1

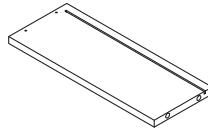
ASSEMBLY INSTRUCTIONS



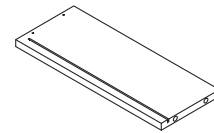
PACKAGING LIST



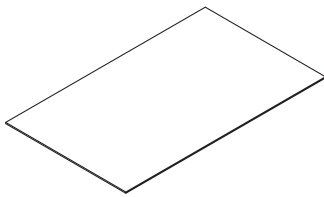
① x3



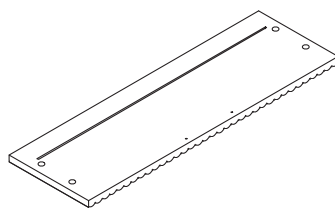
② x3



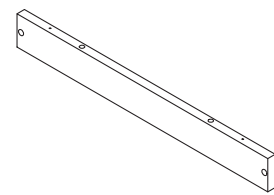
③ x3



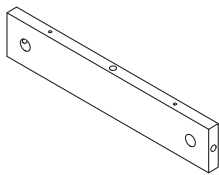
④ x3



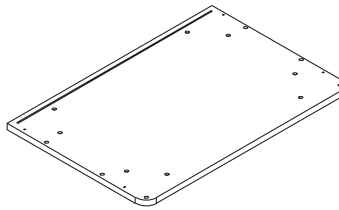
⑤ x3



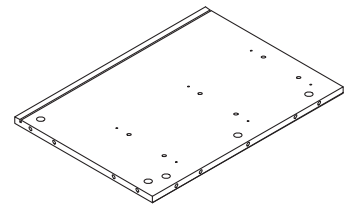
⑥ x2



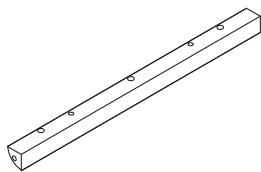
⑦ x2



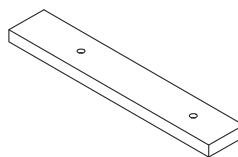
⑧ x1



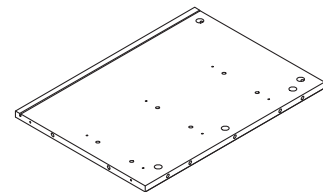
⑨ x1



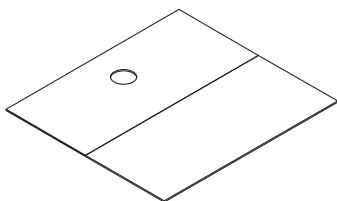
⑩ x2



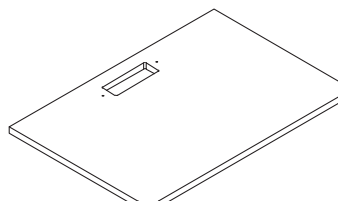
⑪ x6



⑫ x1

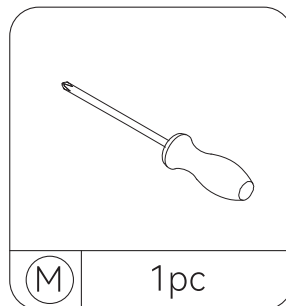
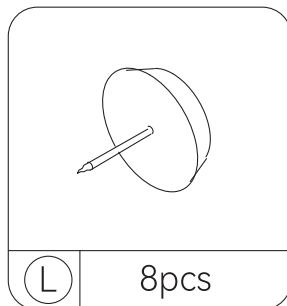
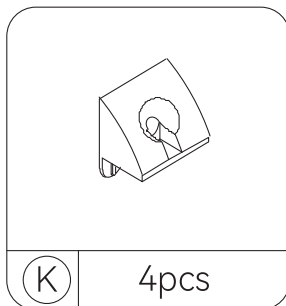
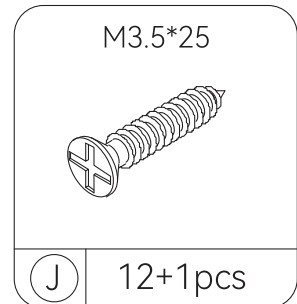
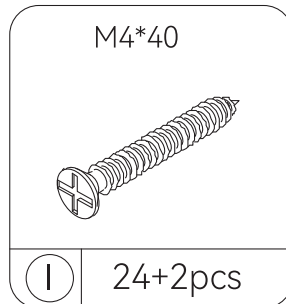
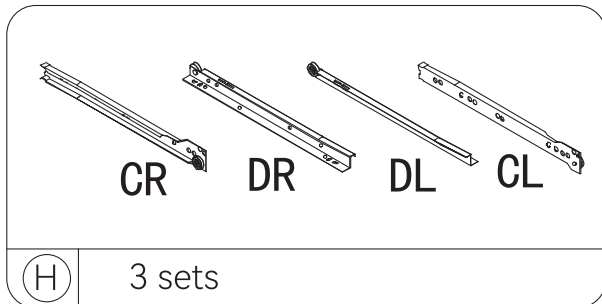
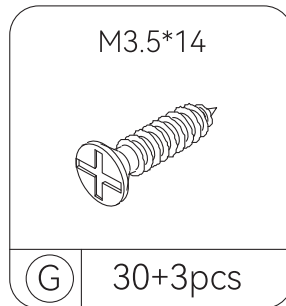
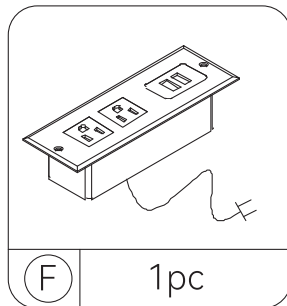
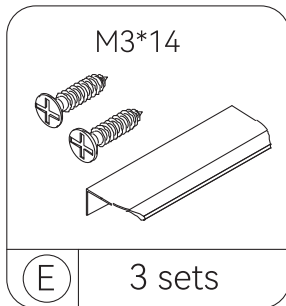
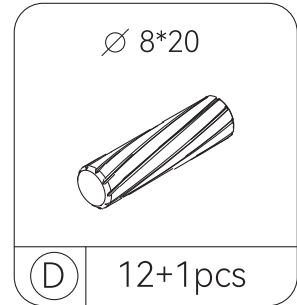
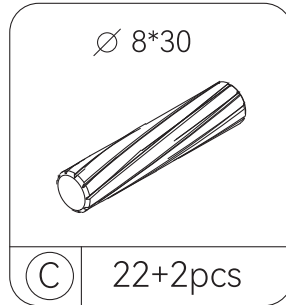
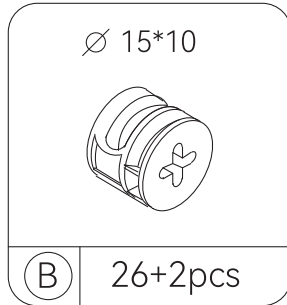
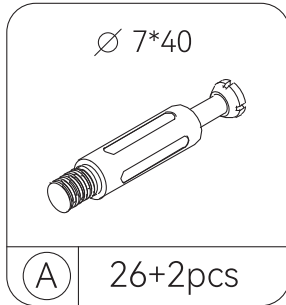


⑬ x1



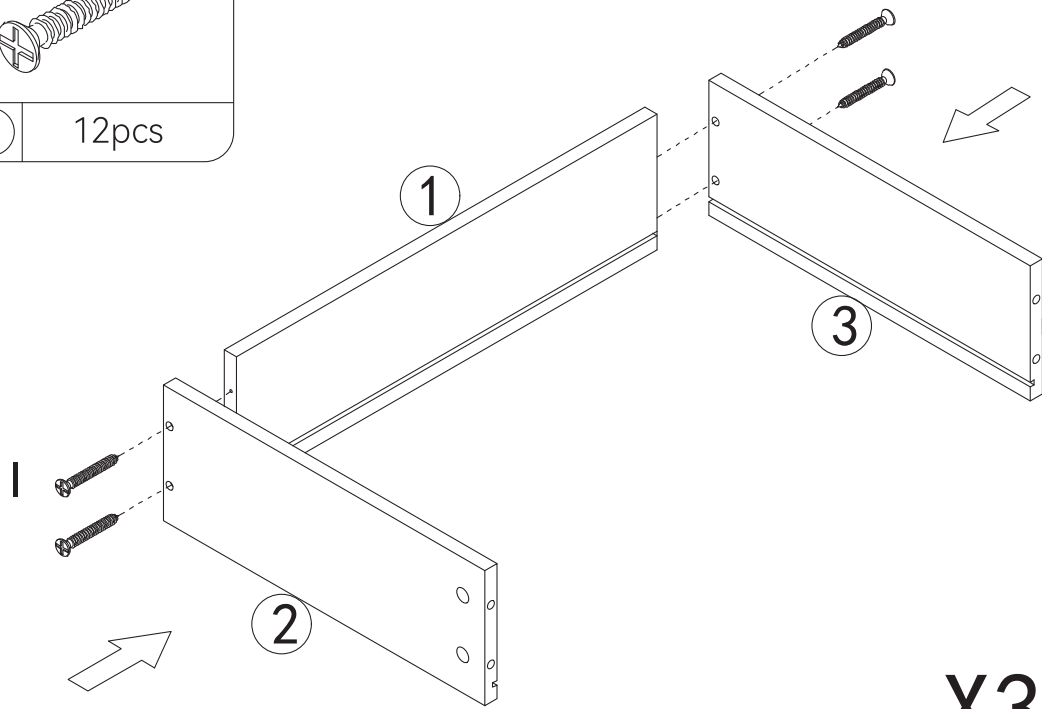
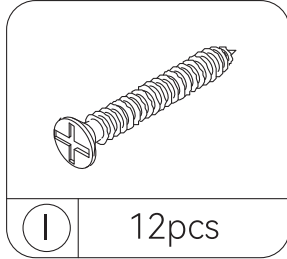
⑭ x1

PACKAGING LIST

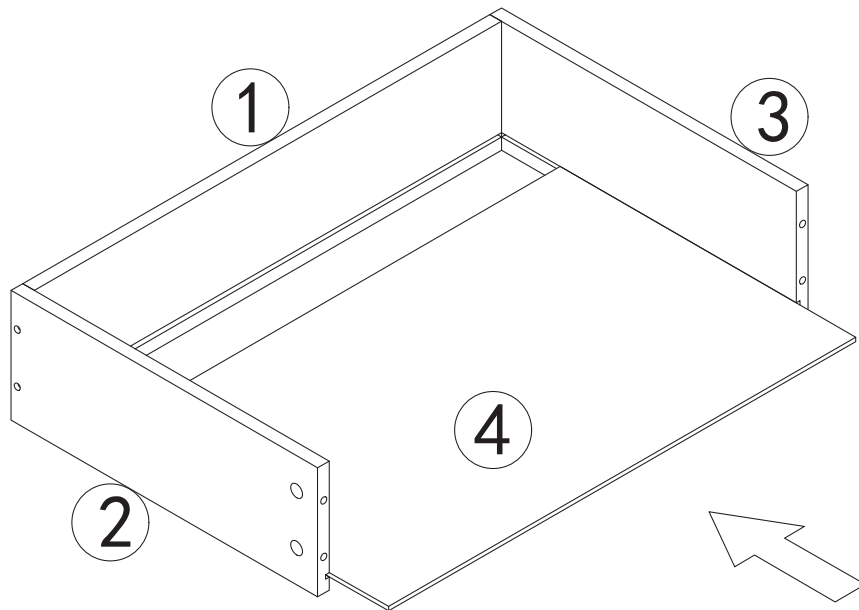


4

STEP 1

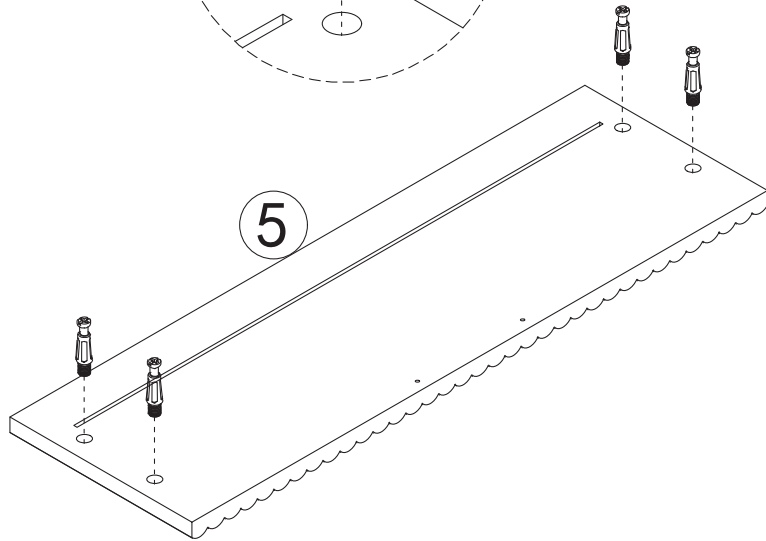
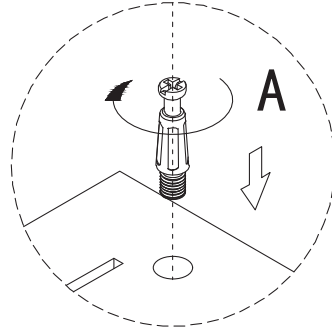
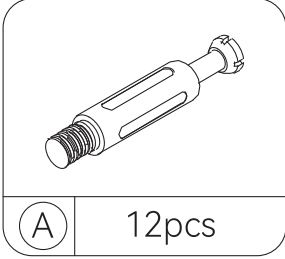


X3

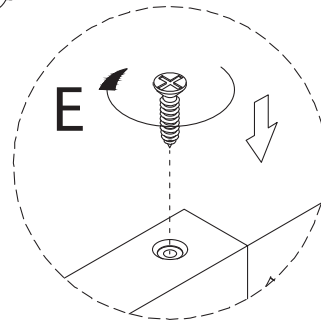
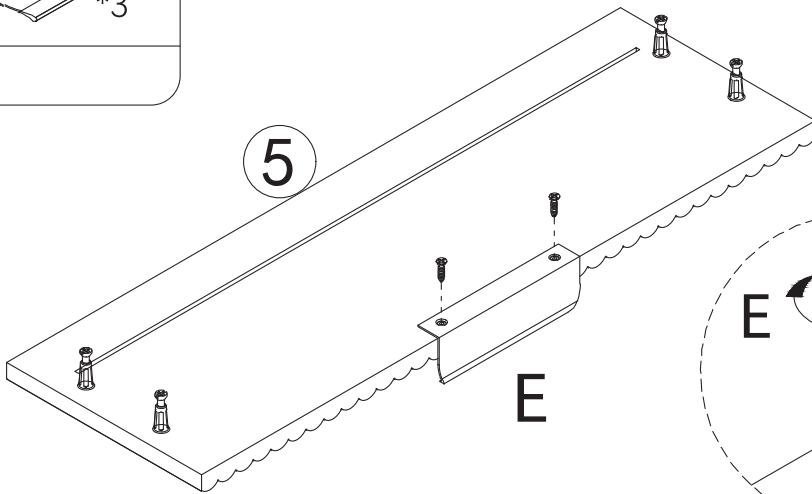
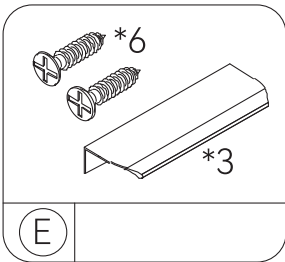


5

STEP 2

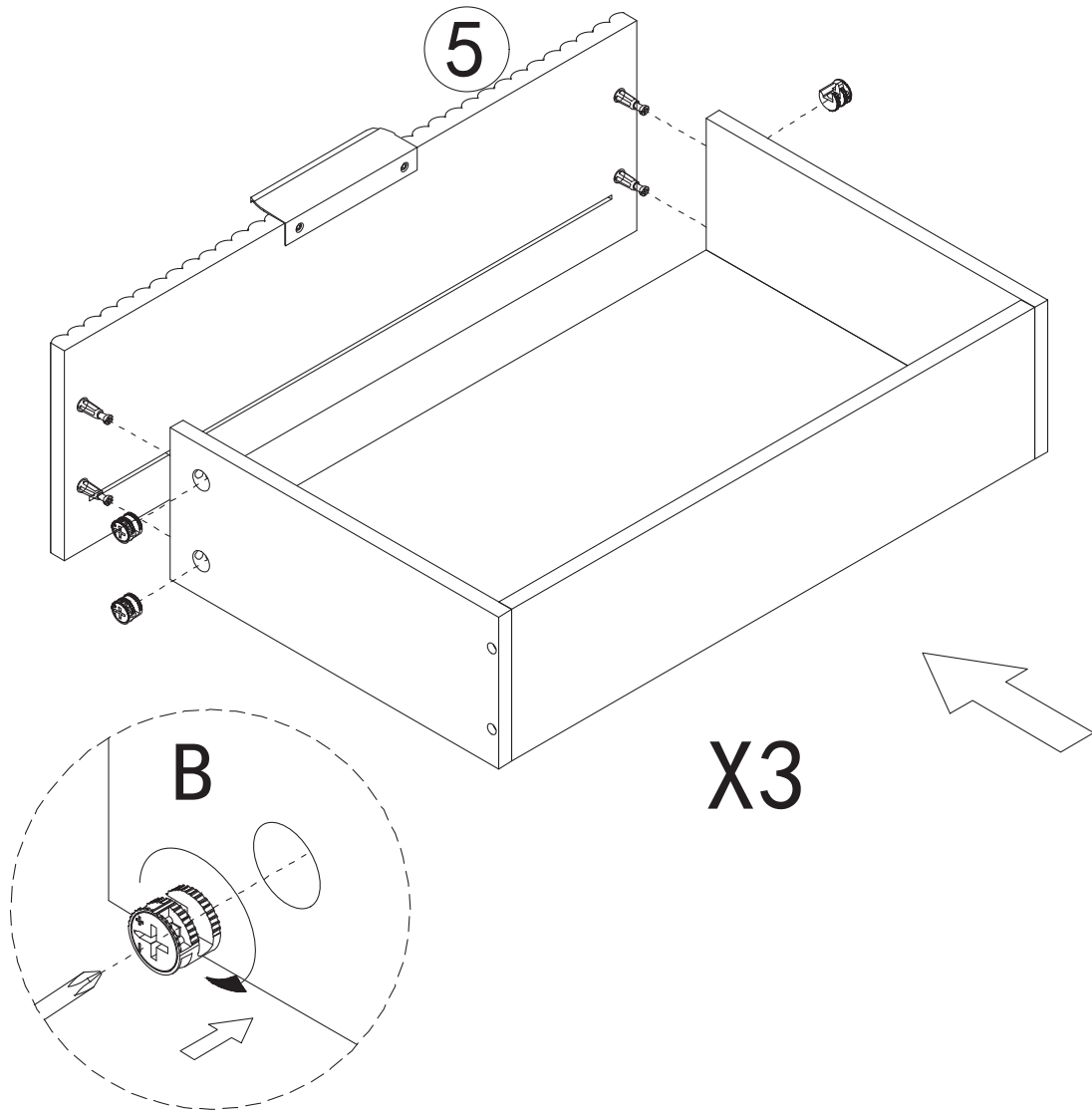
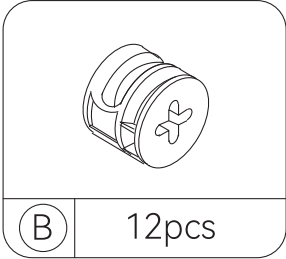


X3



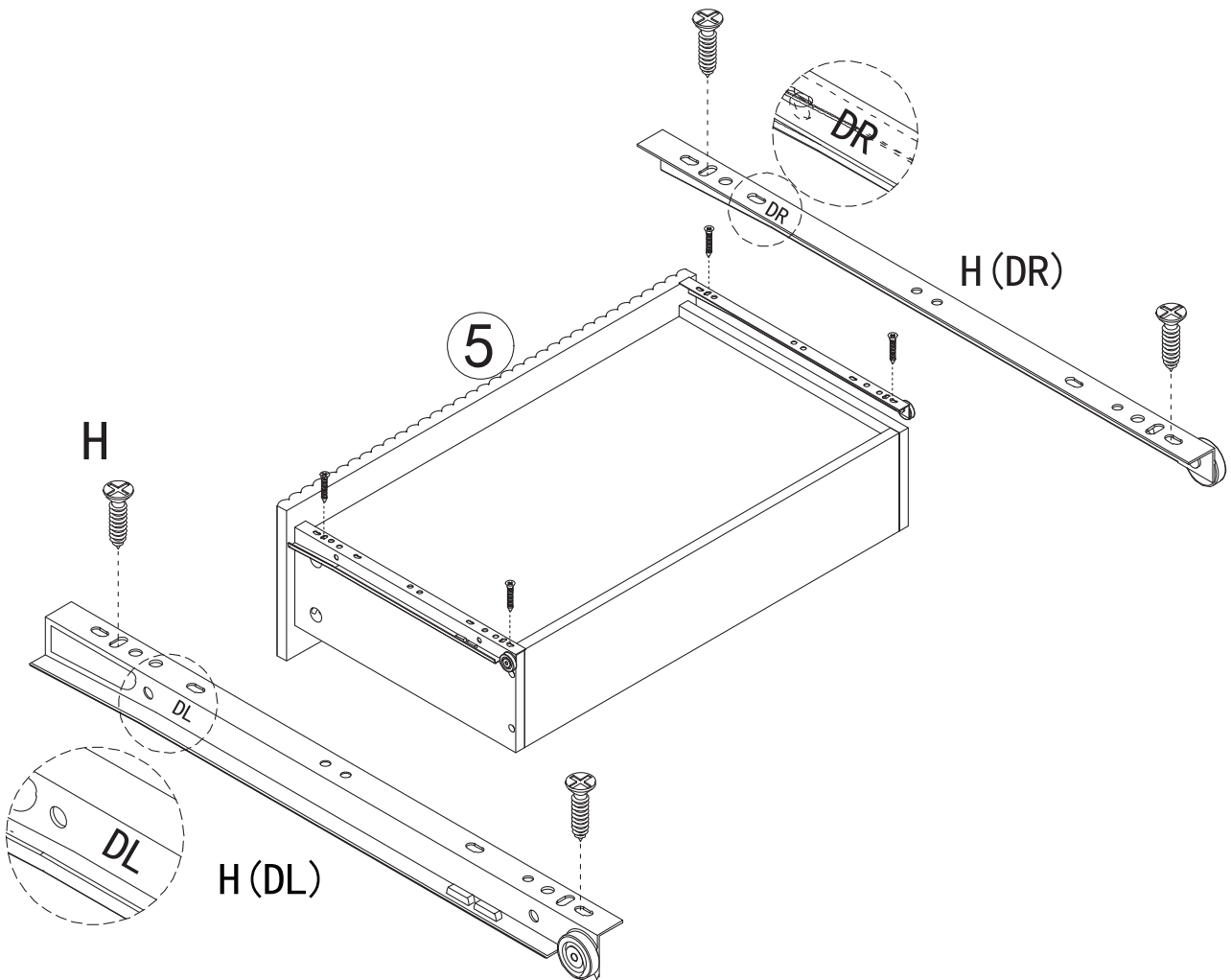
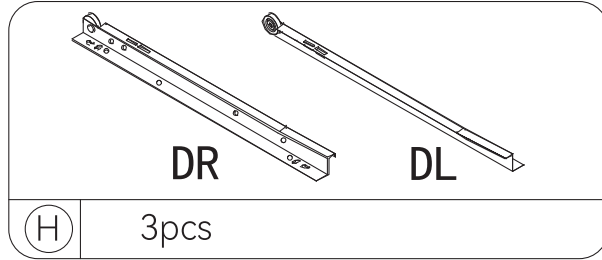
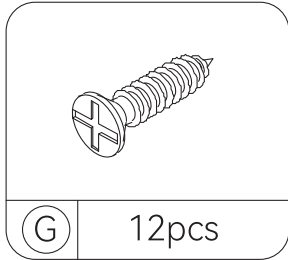
6

STEP 3



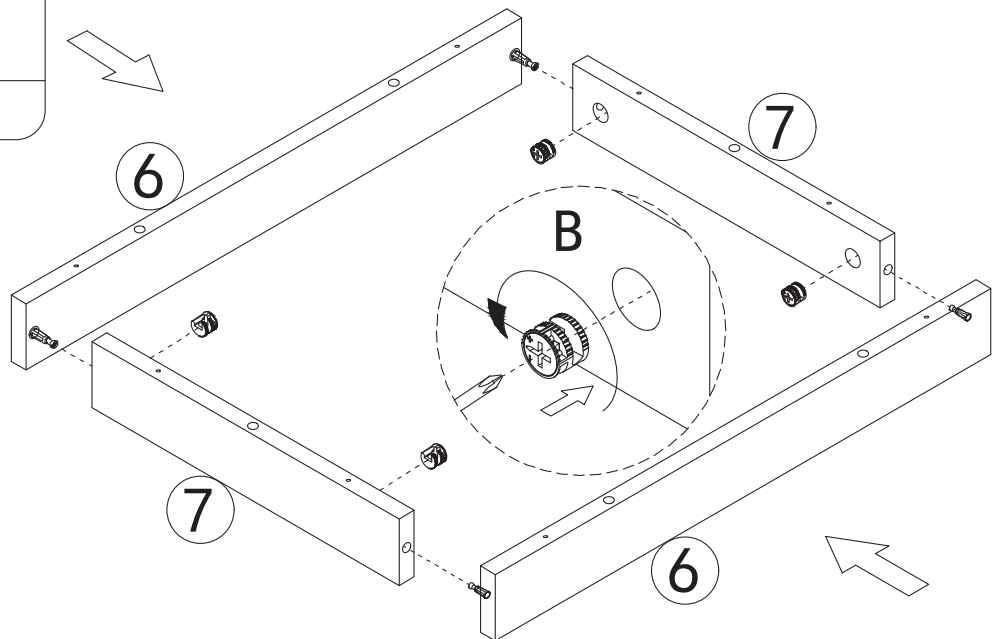
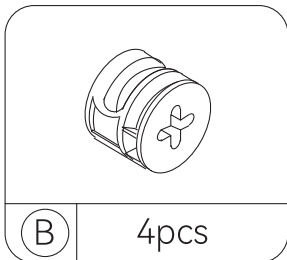
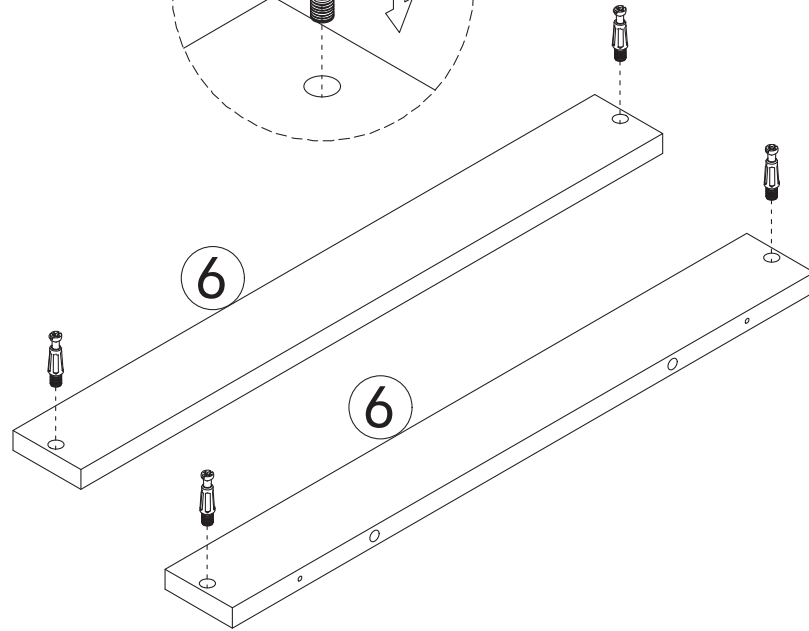
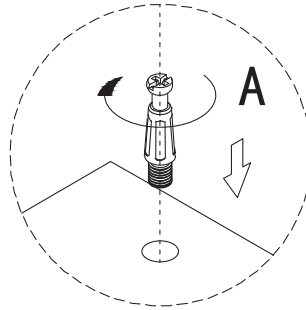
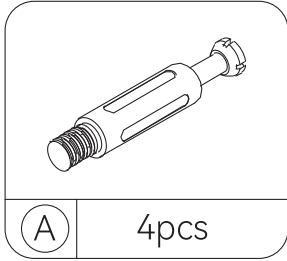
7

STEP 4



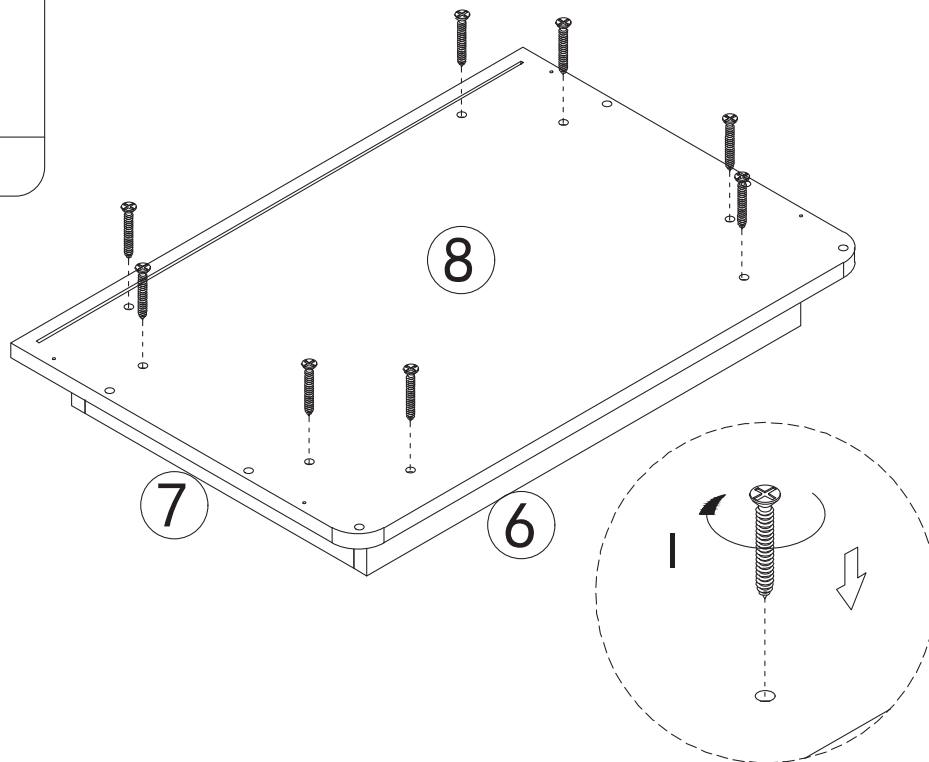
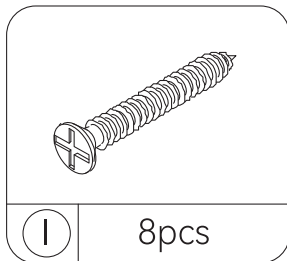
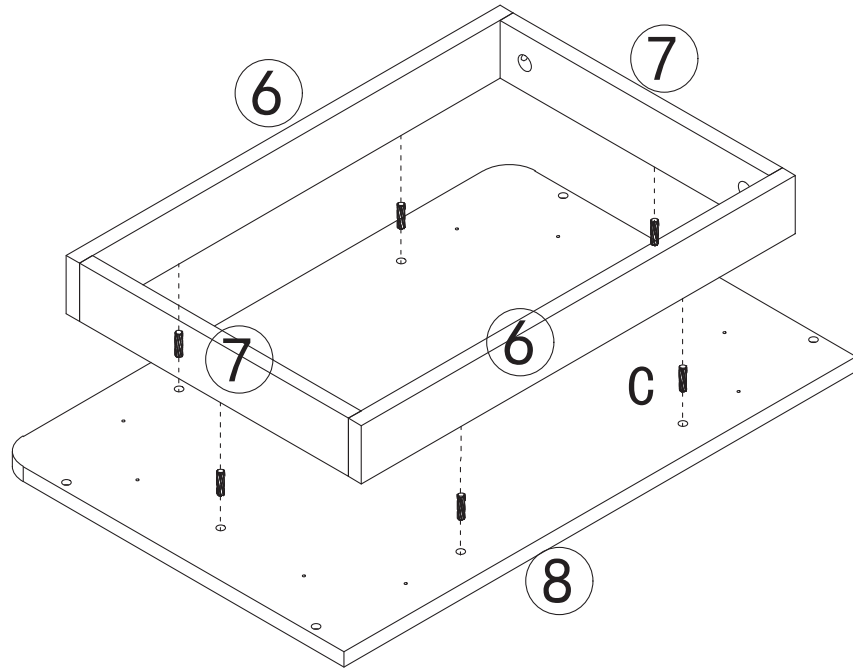
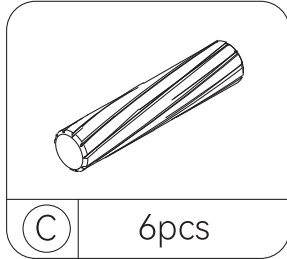
8

STEP 5



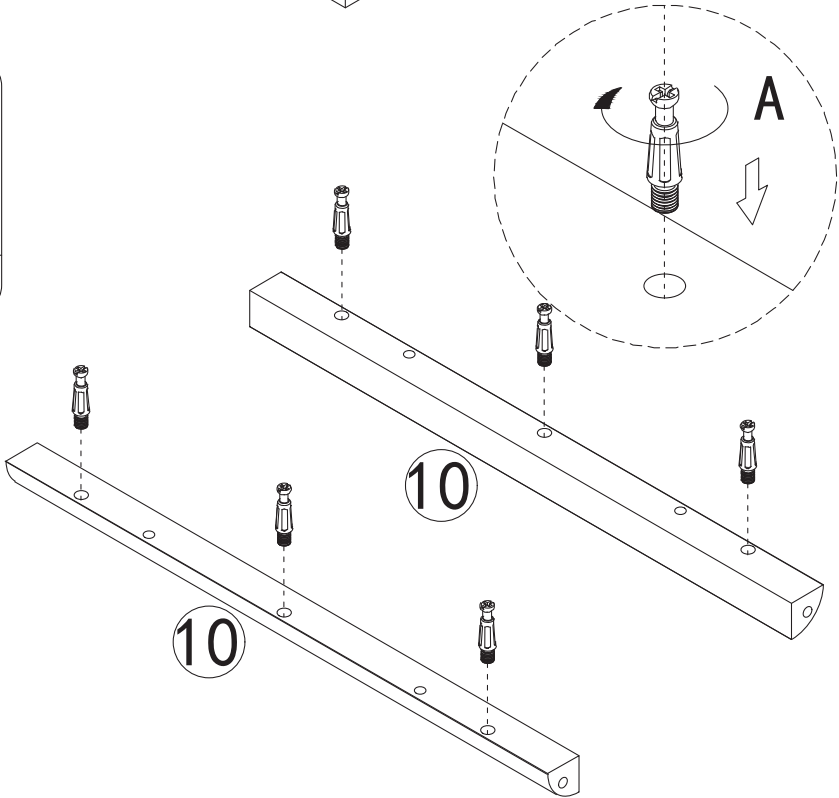
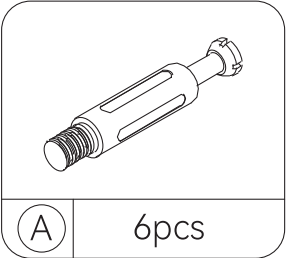
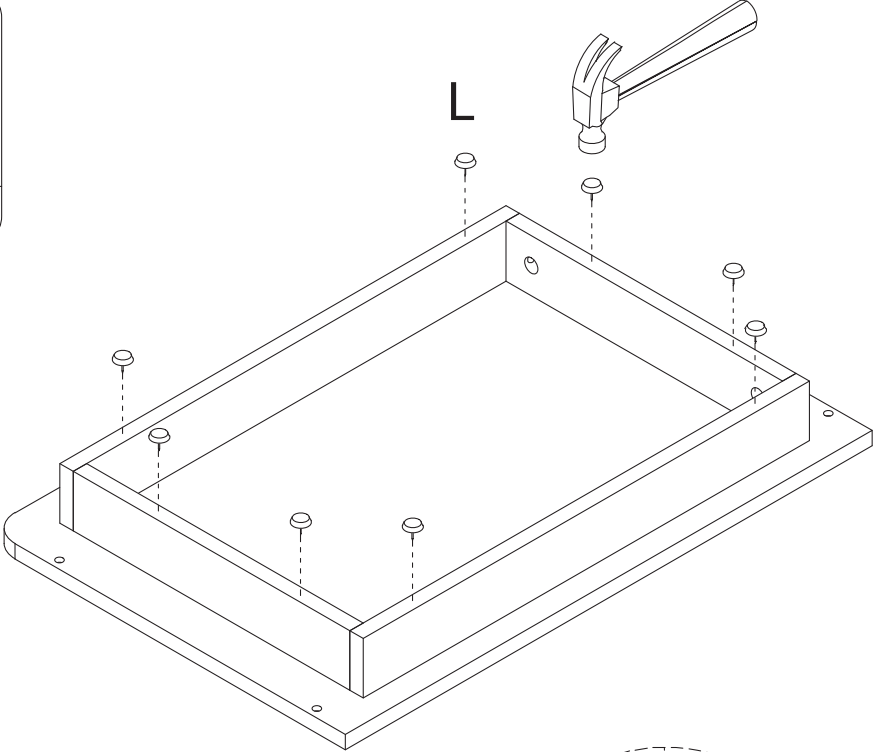
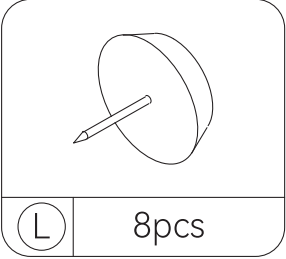
9

STEP 6

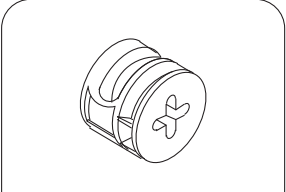


10

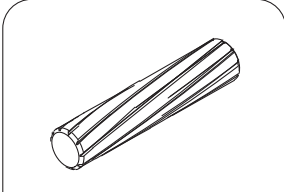
STEP 7



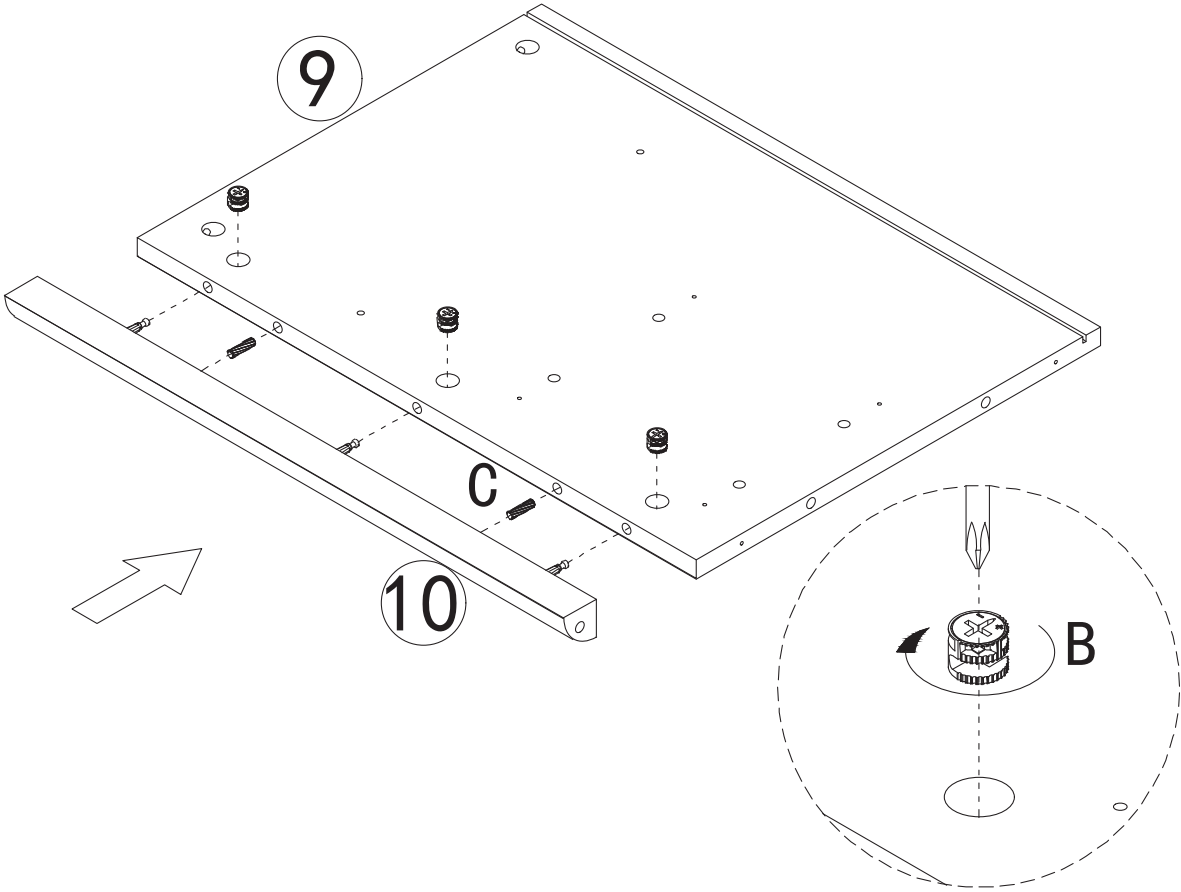
STEP 8



(B) 3pcs

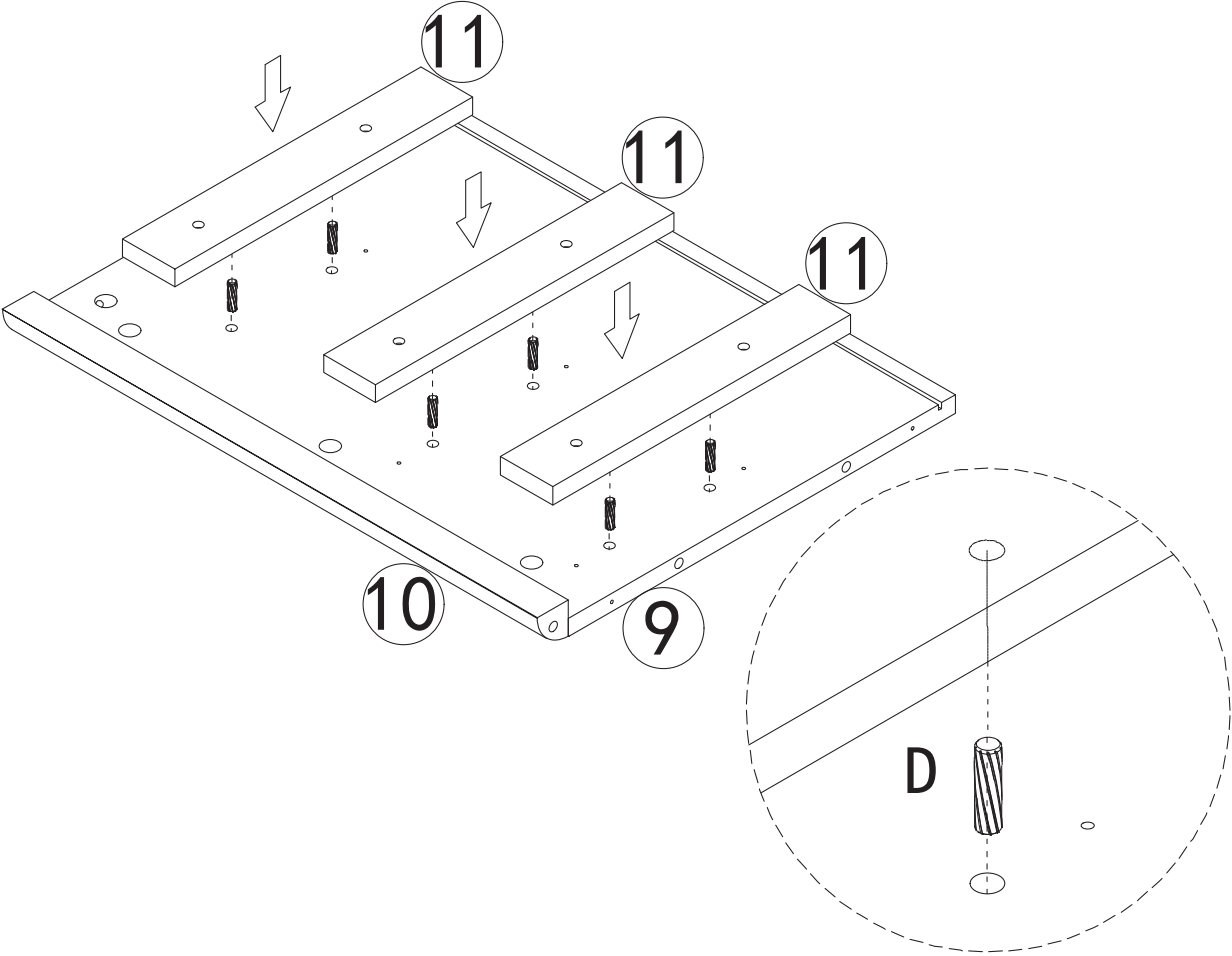
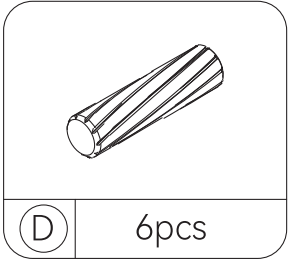


(C) 2pcs



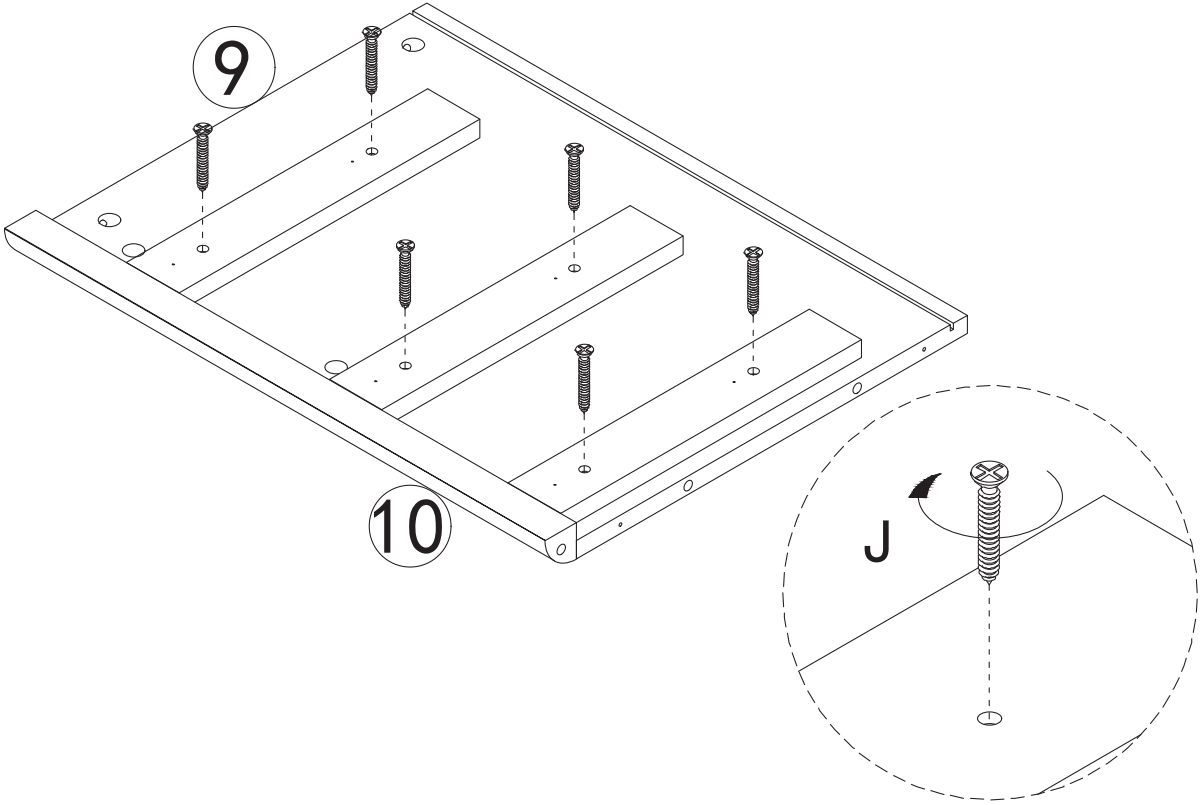
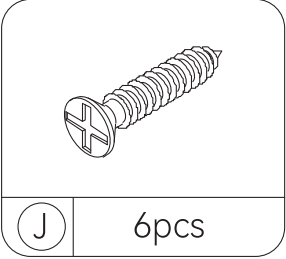
12

STEP 9

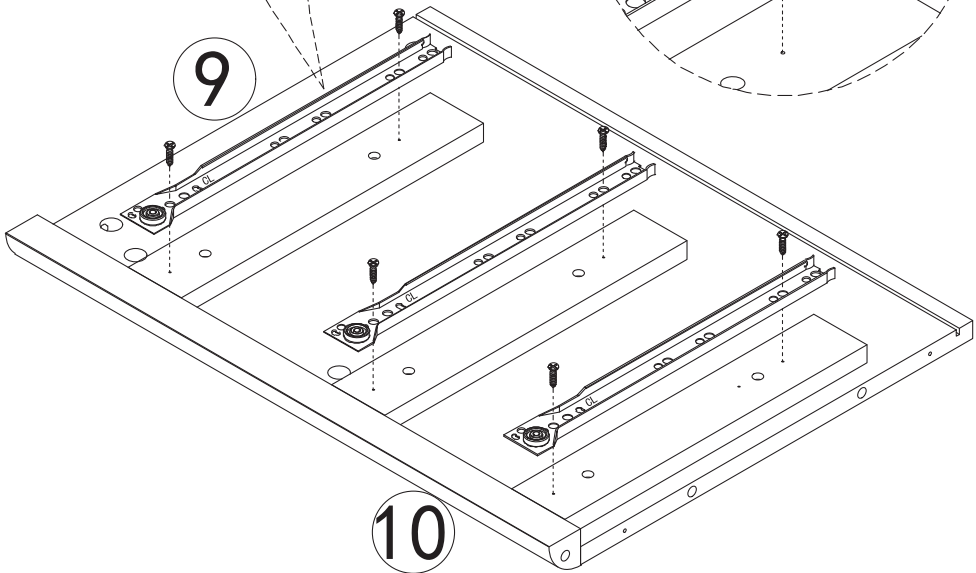
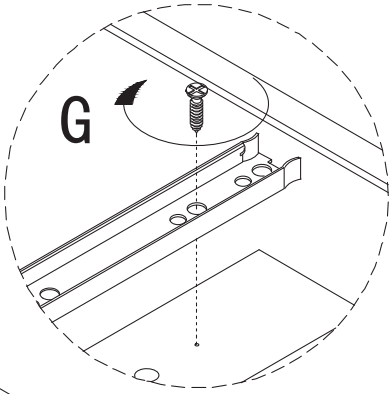
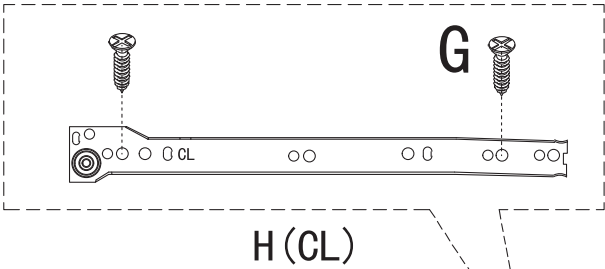
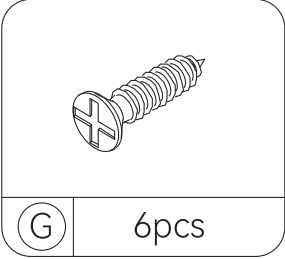
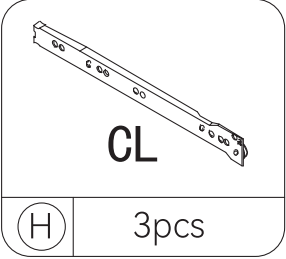


13

STEP 10

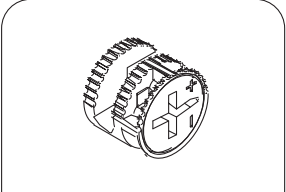


STEP 11

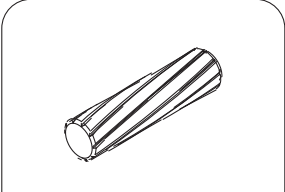


15

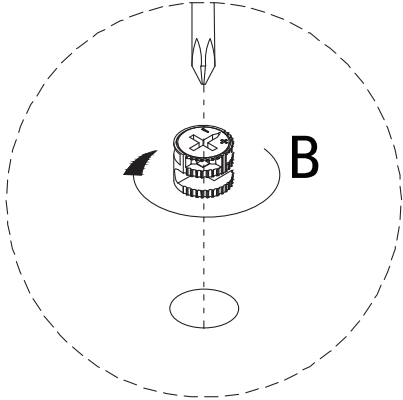
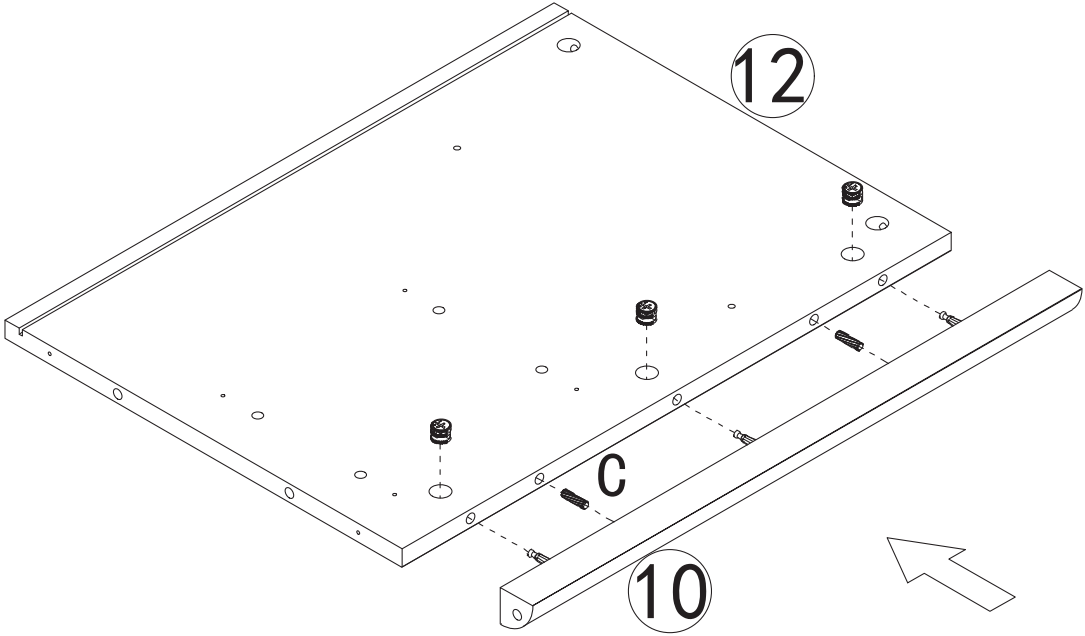
STEP 12



(B) 3pcs

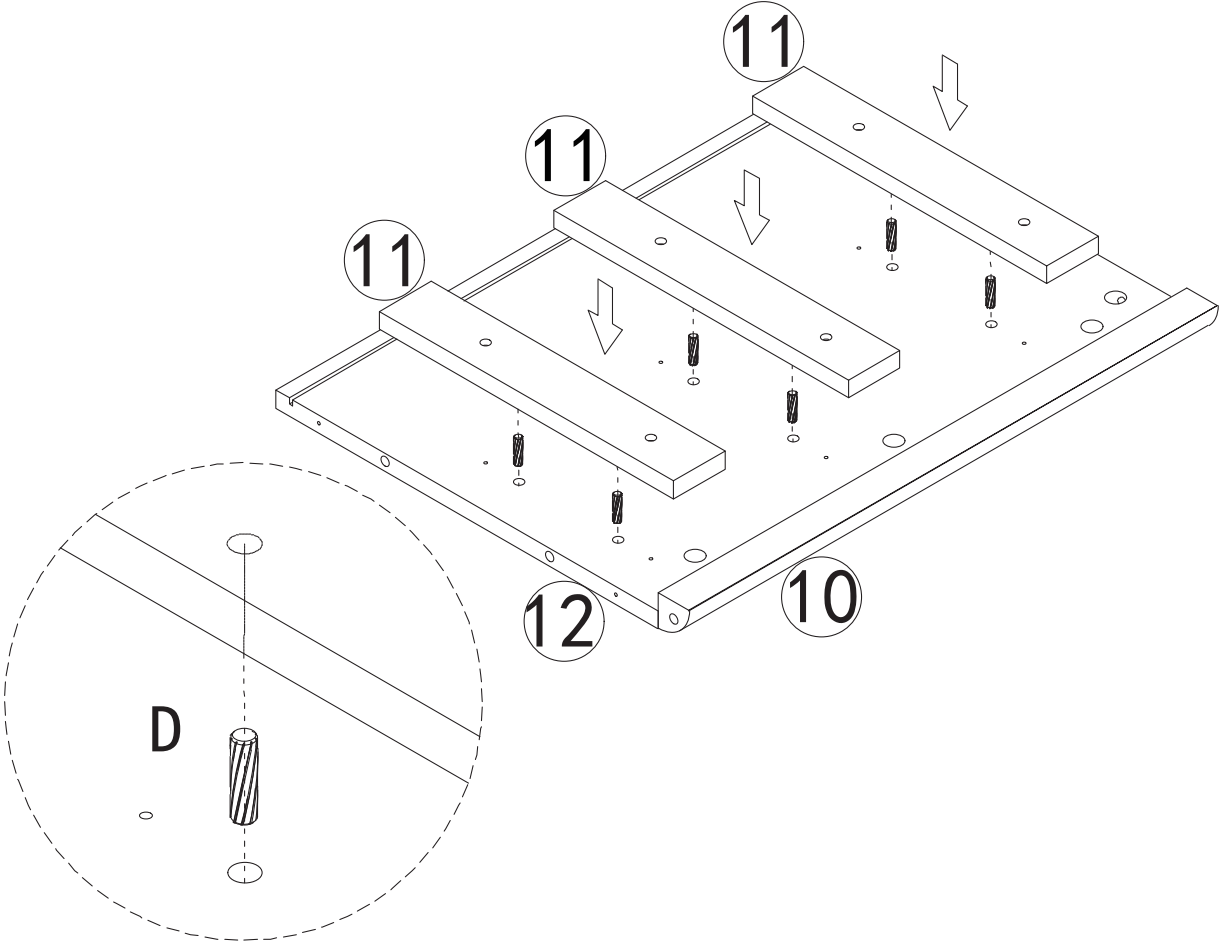
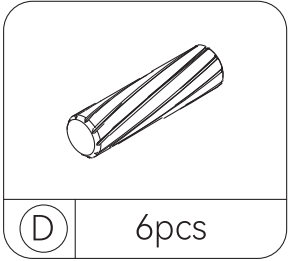


(C) 2pcs



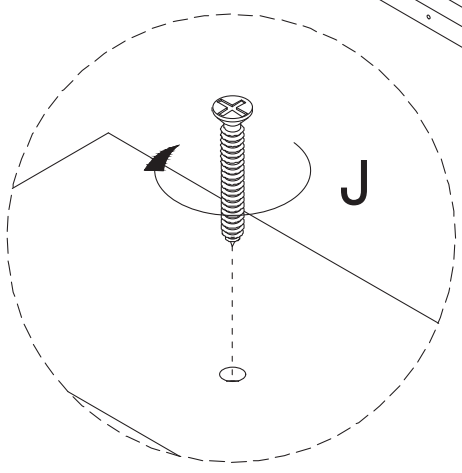
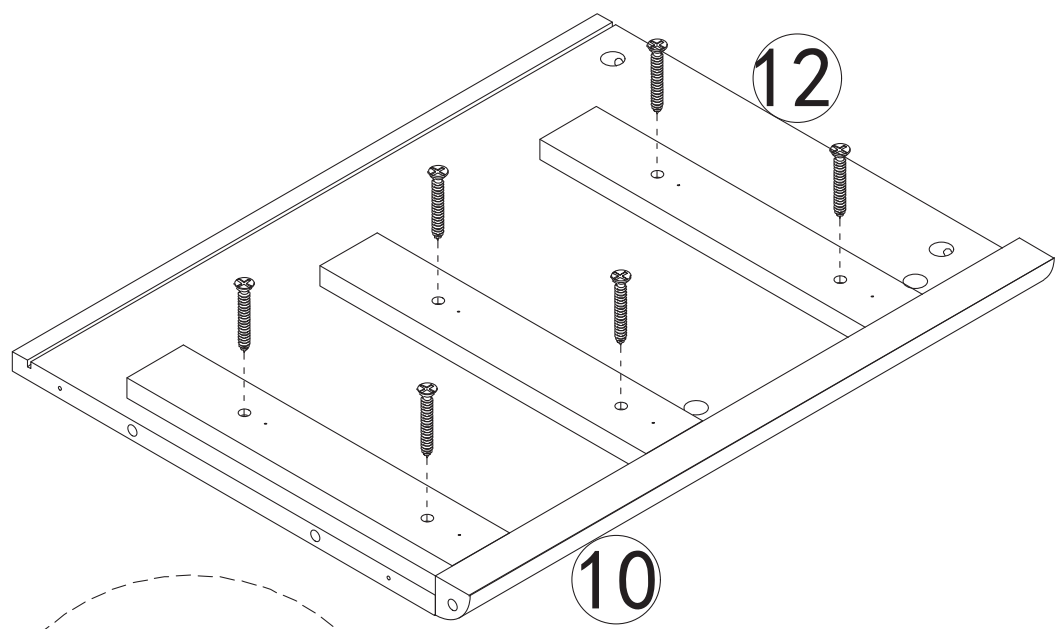
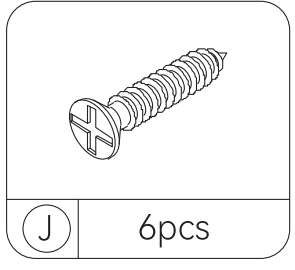
16

STEP 13

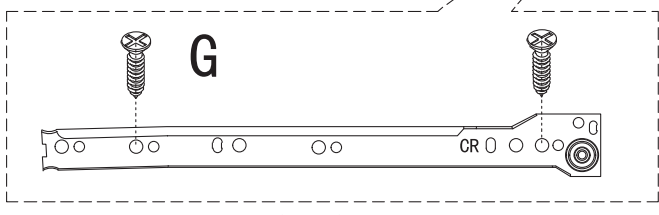
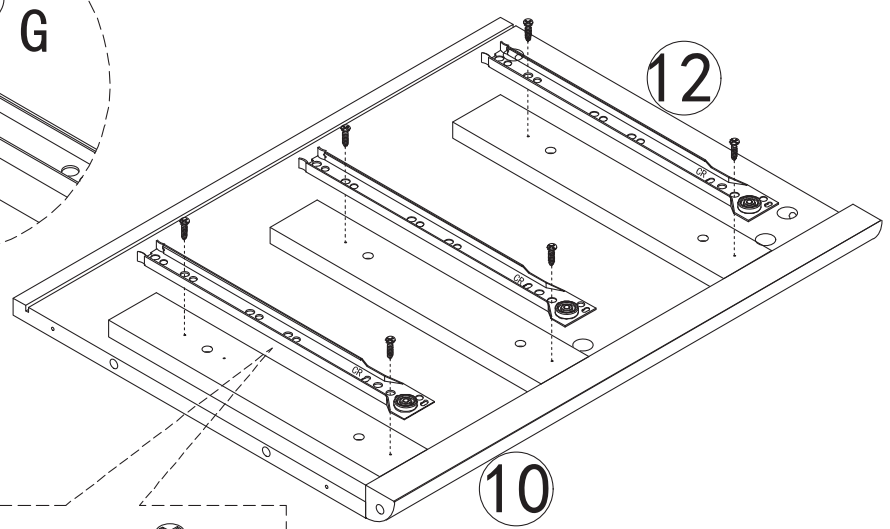
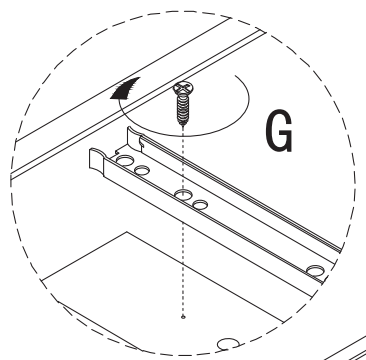
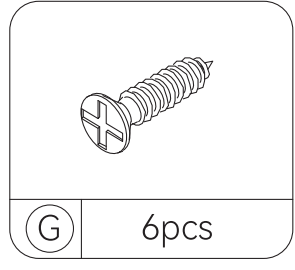
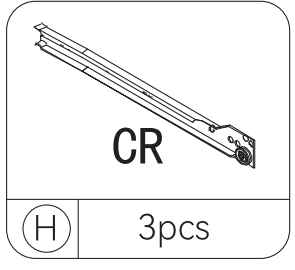


17

STEP 14

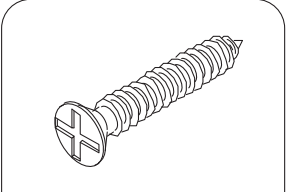


STEP 15

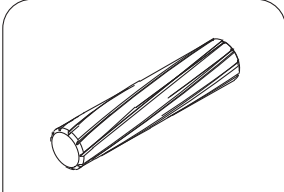


H (CR)

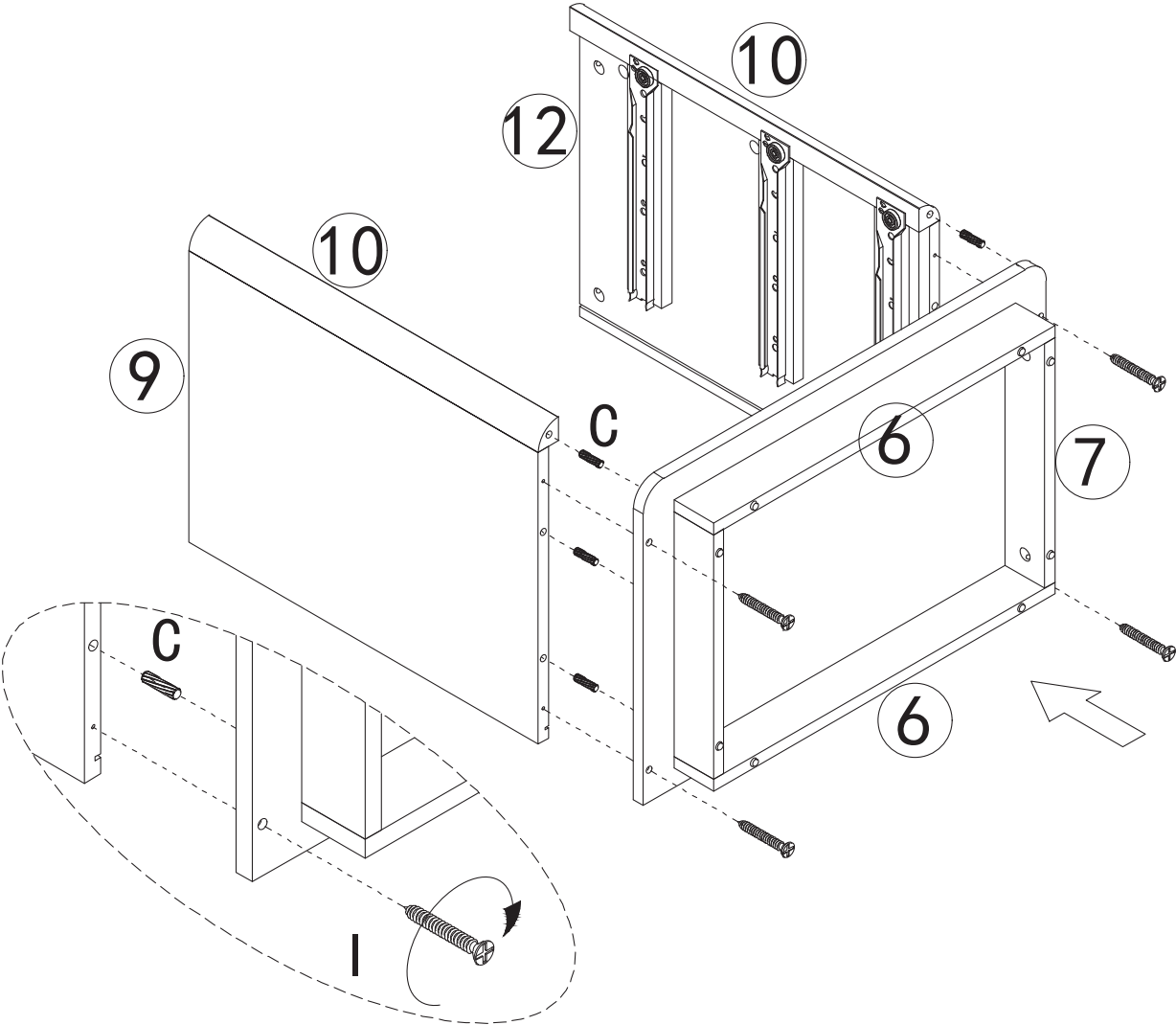
STEP 16



I 4pcs

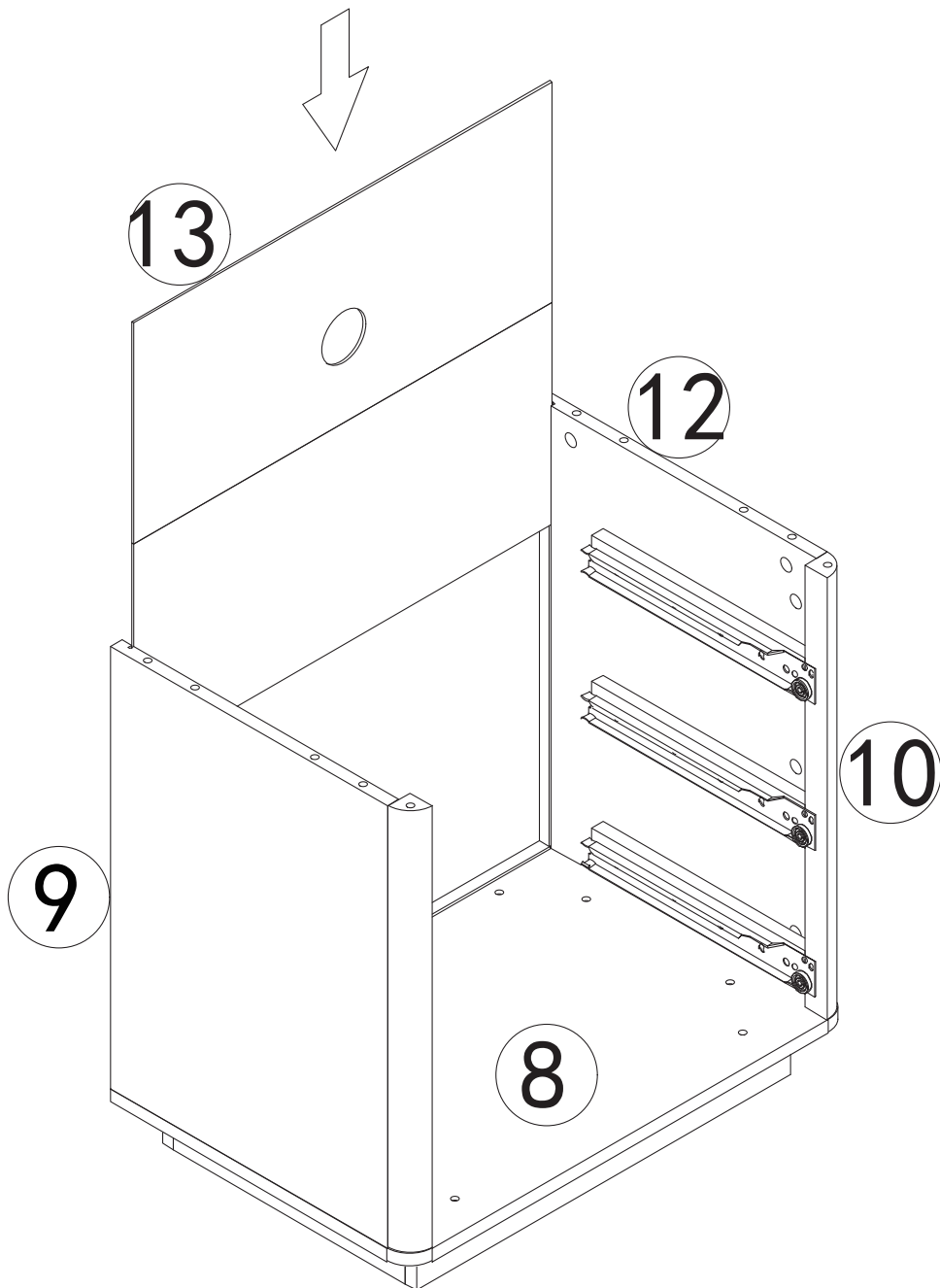


C 6pcs



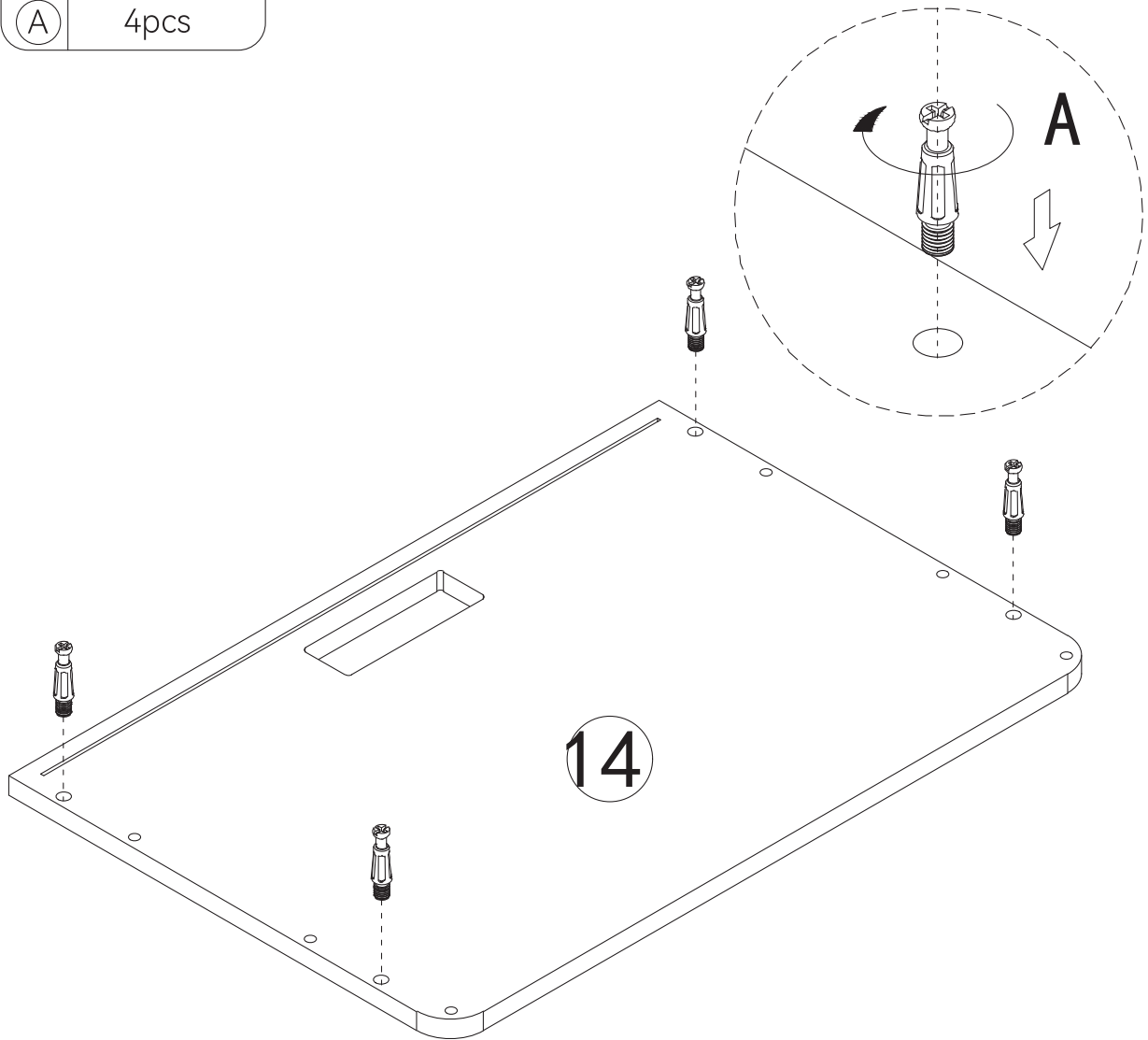
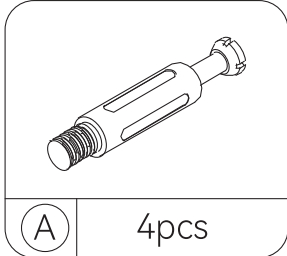
20

STEP 17

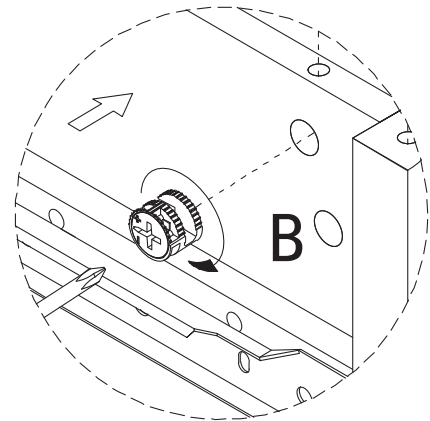
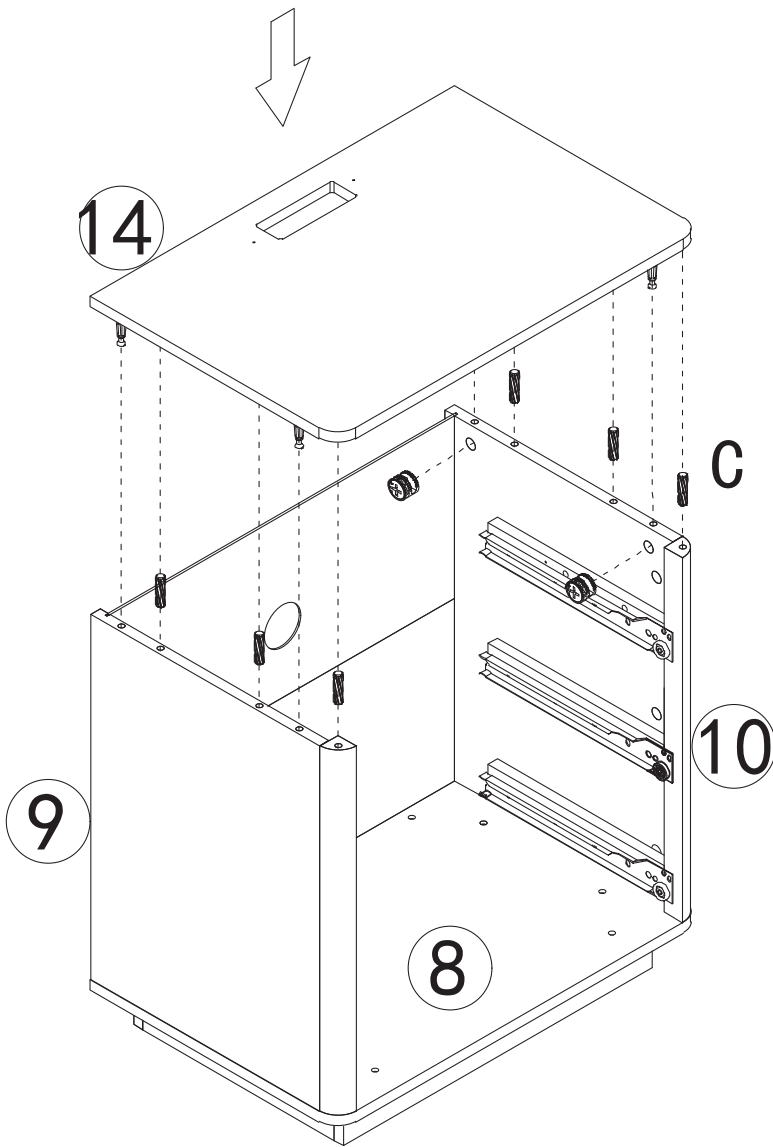
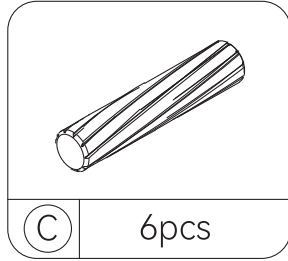
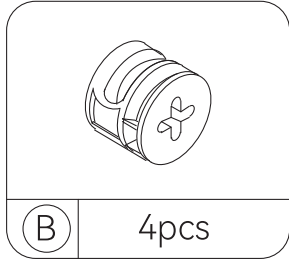


21

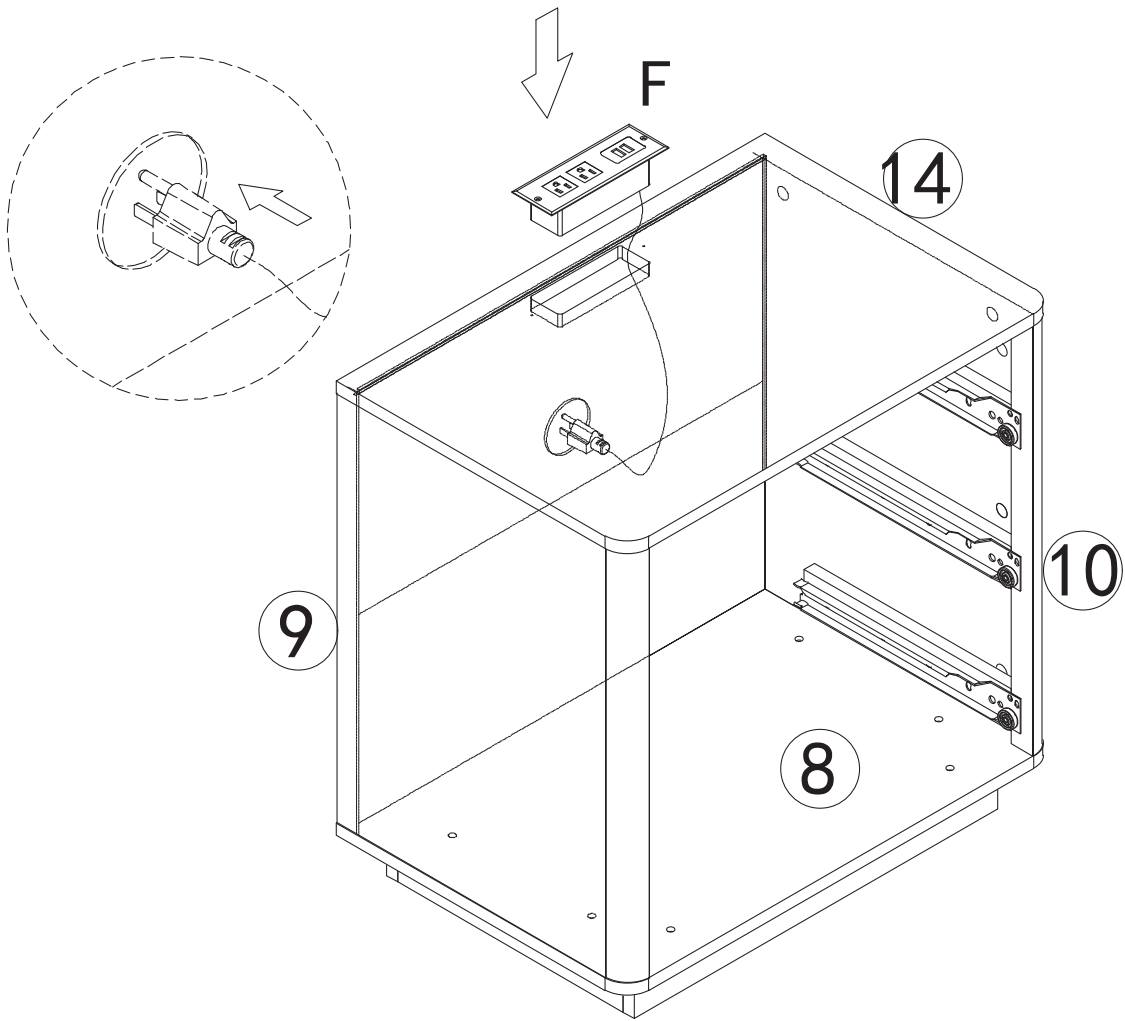
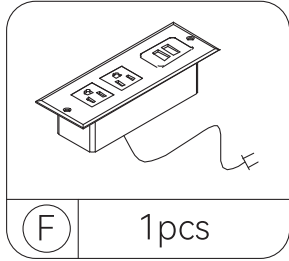
STEP 18



STEP 19

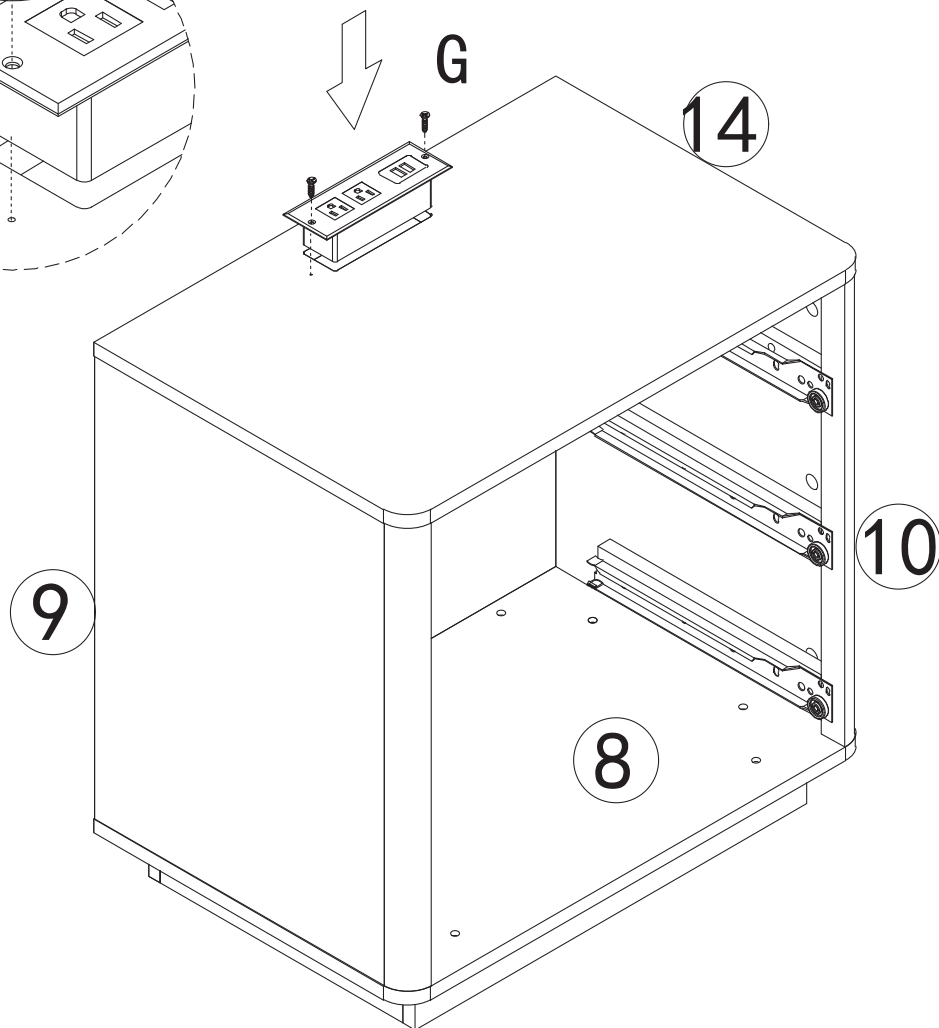
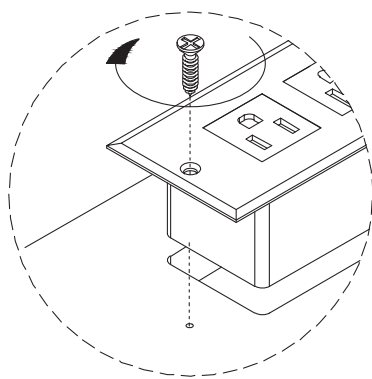
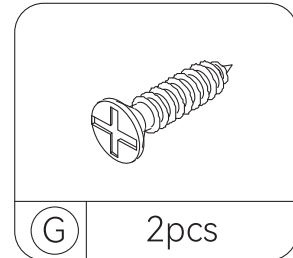


STEP 20



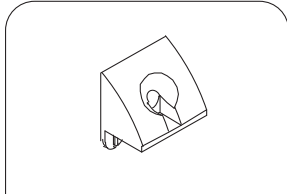
24

STEP 21



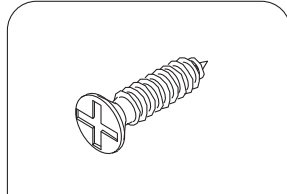
25

STEP 22



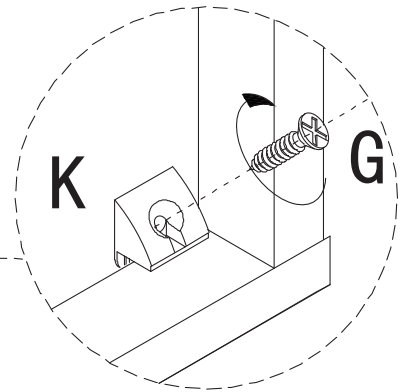
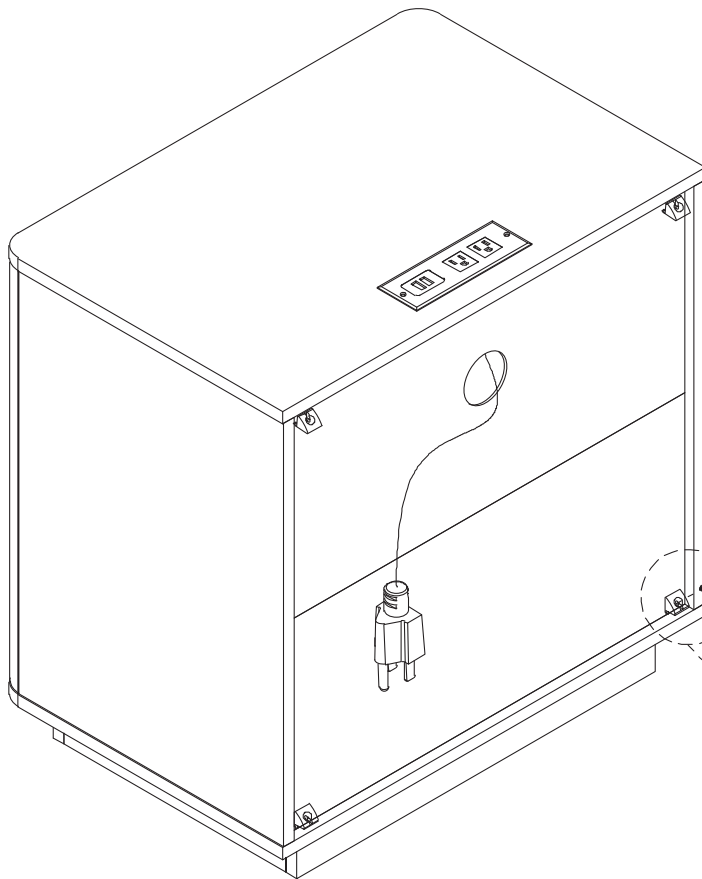
(K)

4pcs



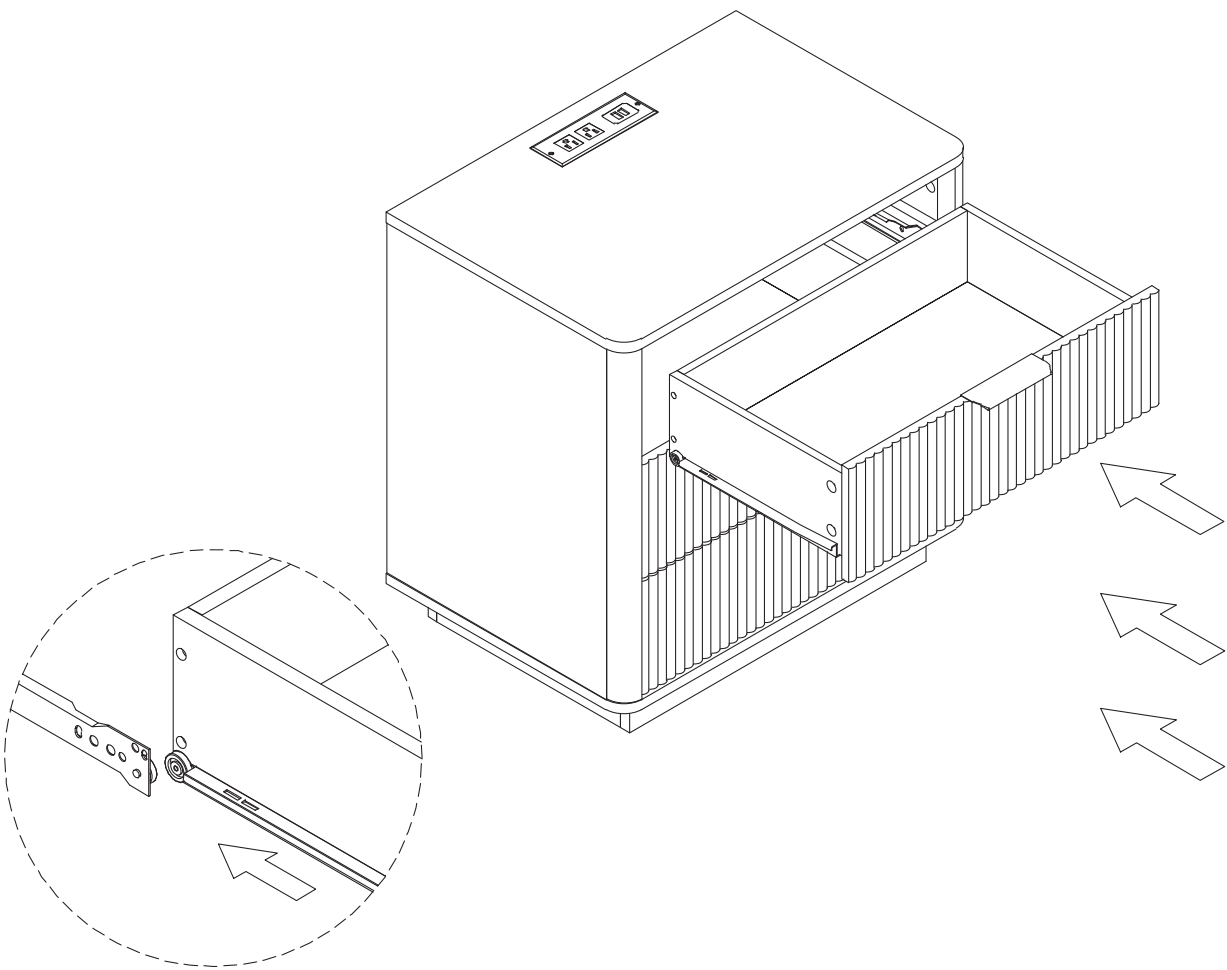
(G)

4pcs



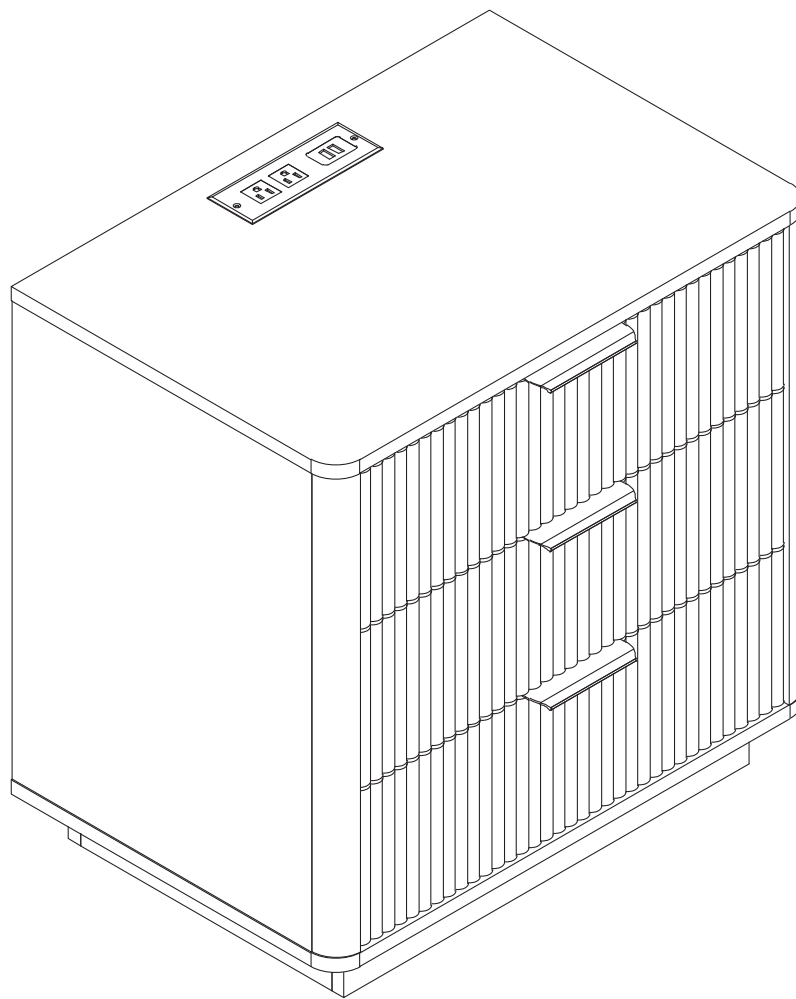
26

STEP 23



27

STEP 24



FCC Regulatory Compliance

This device complies with part 15 of the FCC Rules. Operation is subject to the following two conditions:

(1) This device may not cause harmful interference, and (2) this device must accept any interference received, including interference that may cause undesired operation.

Warning: Changes or modifications not expressly approved by the party responsible for compliance could void the user's authority to operate the equipment.

Note: This equipment has been tested and found to comply with the limits for a Class B digital device, pursuant to Part 15 of the FCC Rules.

These limits are designed to provide reasonable protection against harmful interference in a residential installation. This equipment generates, uses and can radiate radio frequency energy and, if not installed and used in accordance with the instructions, may cause harmful interference to radio communications. However, there is no guarantee that interference will not occur in a particular installation.

If this equipment does cause harmful interference to radio or television reception, which can be determined by turning the equipment off and on, the user is encouraged to try to correct the interference by one or more of the following measures:

- Reorient or relocate the receiving antenna.
- Increase the separation between the equipment and receiver.
- Connect the equipment into an outlet on a circuit different from that to which the receiver is connected.
- Consult the dealer or an experienced radio/TV technician for help.