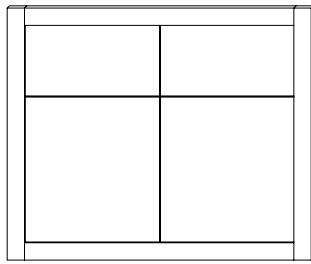


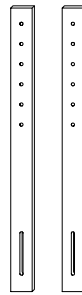
Twin Headboard

Assembly Instructions

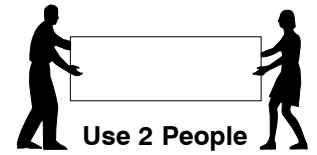
1 Parts List



A
Headboard
Panel x 1



B
Support
Bars x 2



2 Hardware List



1 M6 x 35mm JCB
x 10



2 Spring Washer
x 10



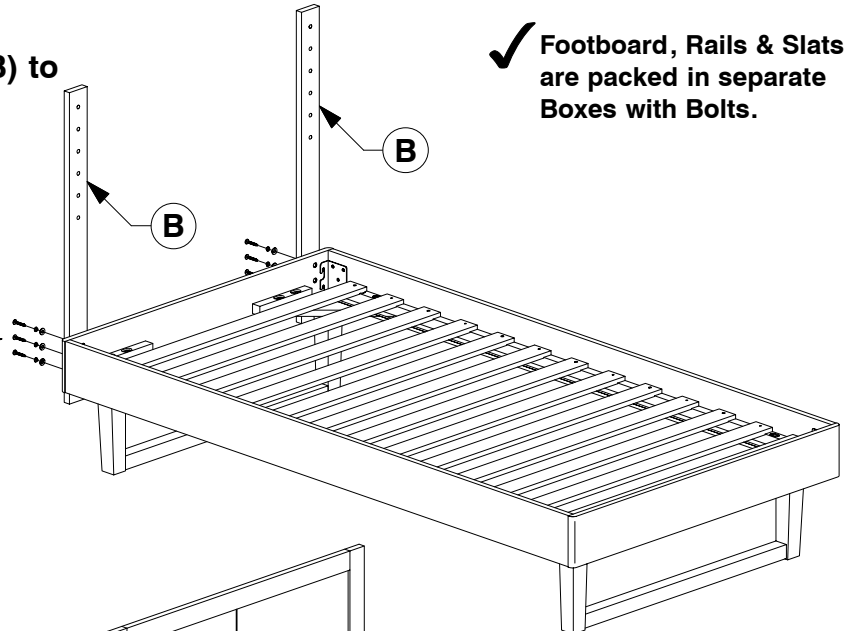
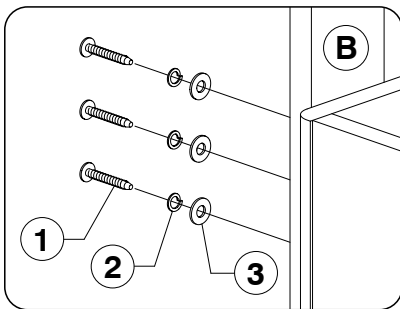
3 Flat Washer
x 10



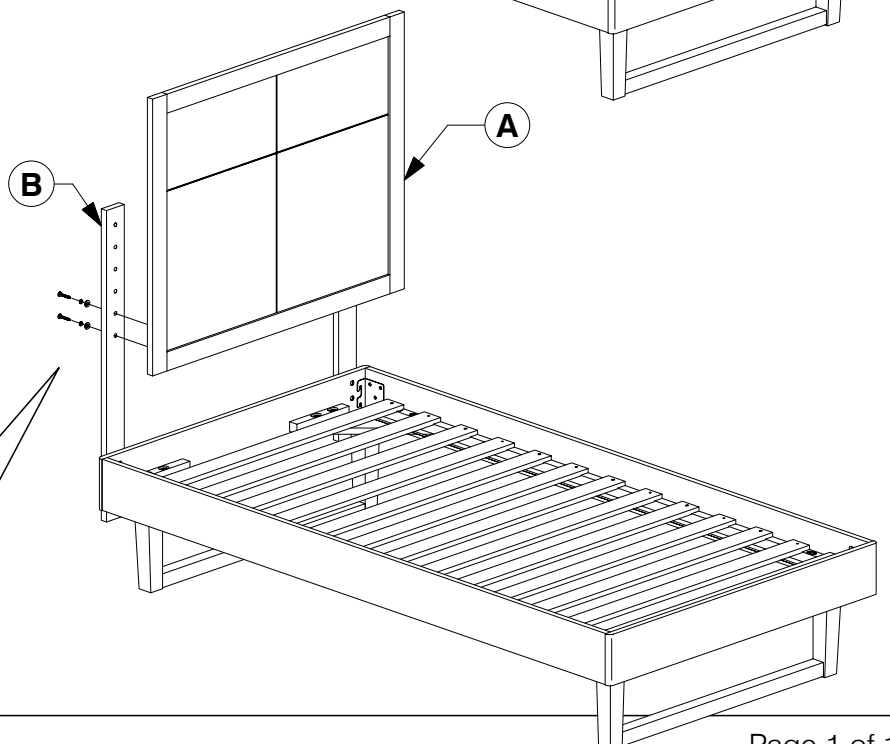
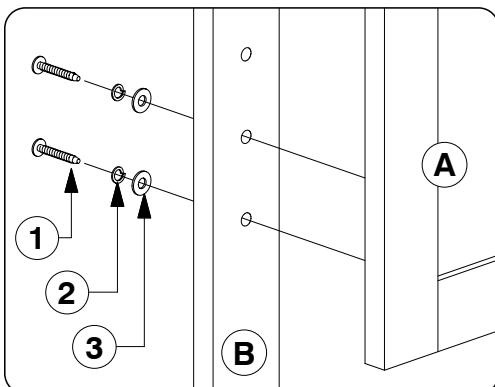
4 Allen Key
x 1

Note: Do not assemble
using power tools.
This can cause the bolts
to be overtightened

3 Assemble the Support Bars (B) to the Headboard Panel (A) to the Support Bars (B).



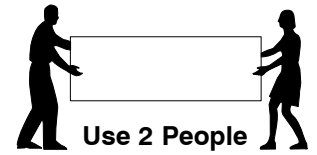
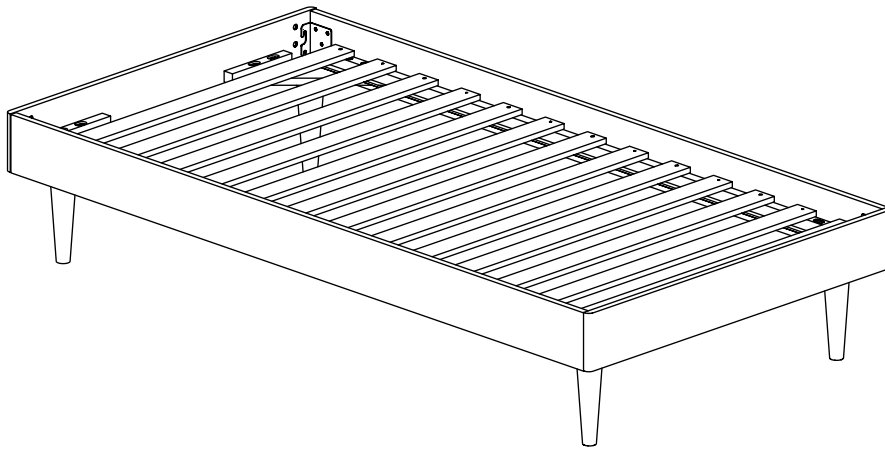
4 Assemble the Headboard Panel (A) to the Support Bars (B).



Twin Bed

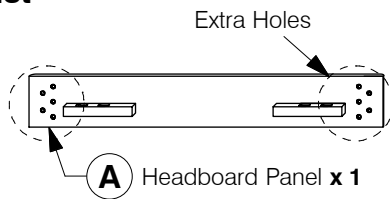
Assembly Instructions

1 Assembled View

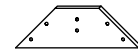


Note: Do not assemble using power tools. This can cause the bolts to be overtightened

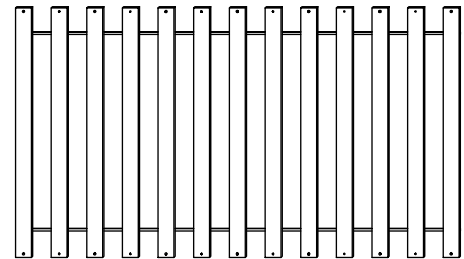
2 Parts List



D
Post
x 4



E
Support Panel
x 4



F Set of Bed Slats x 1

3 Hardware List



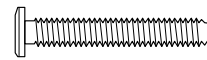
1 M6 x
50mm JCB
x 16



2 M6 x
40mm JCB
x 14



3 M6 x
20mm JCB
x 8



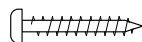
4 M8 x
50mm JCB
x 8



5 Spring
Washer
x 24



6 Flat Washer
x 24



7 Wood Screw
(M4 x 32mm) x 12



8 M4 Allen Key
x 1



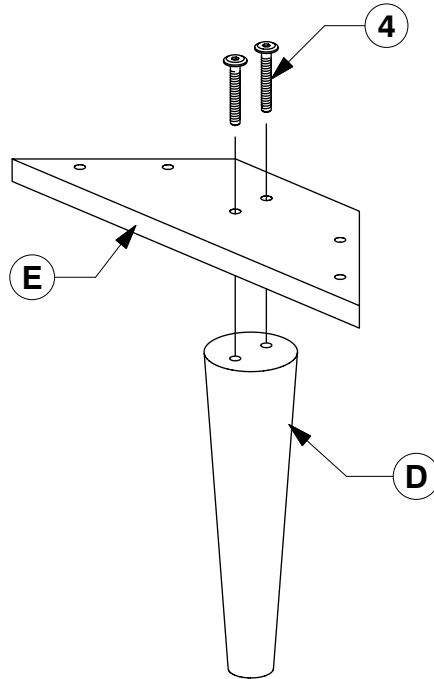
9 M5 Allen Key
x 1

Twin Bed

Assembly Instructions

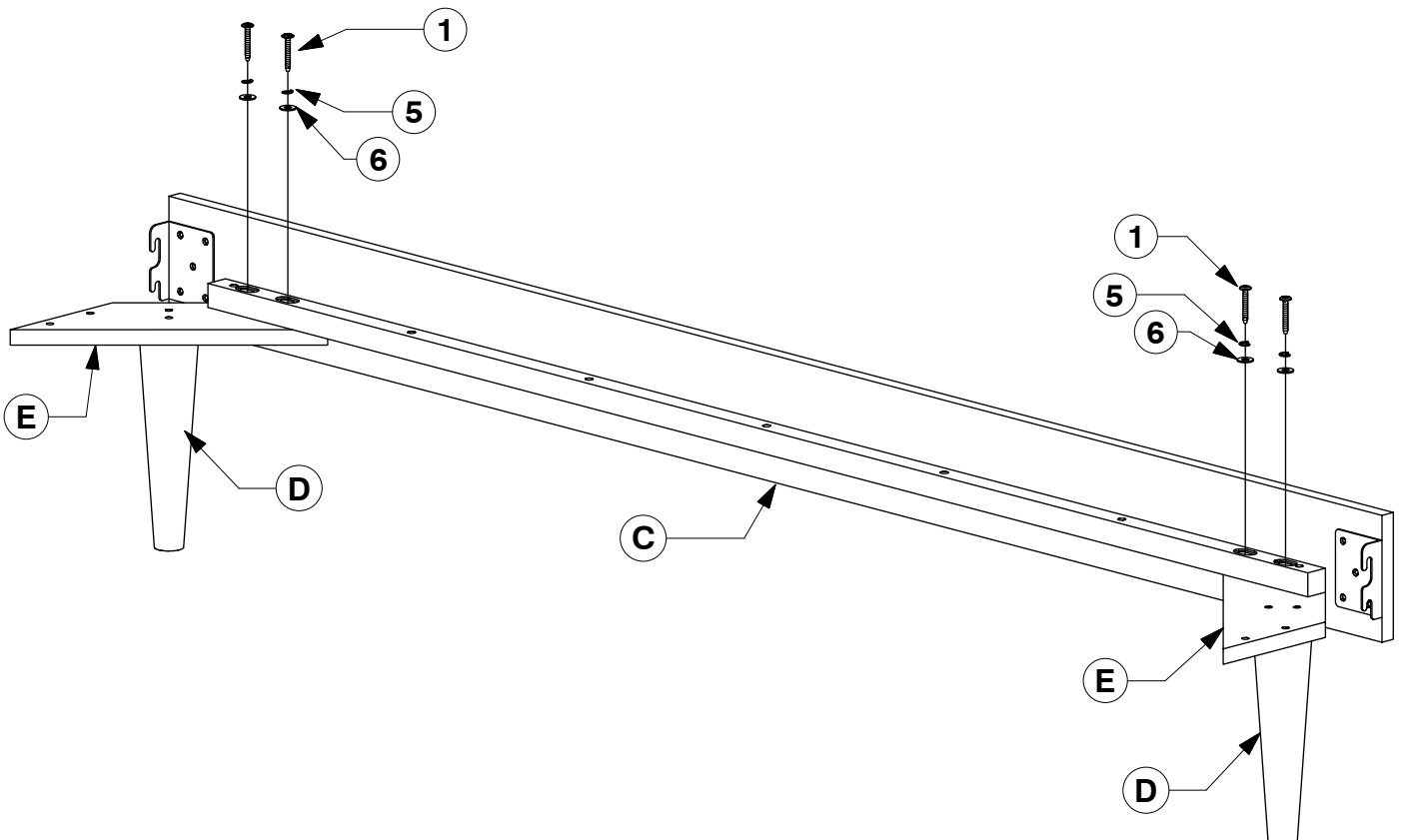
- 4** Fit the Post (D) to the Support Panel (E).

x4



- 5** Bolt the Post & Support Panel (D & E) to the Side Rail (C).

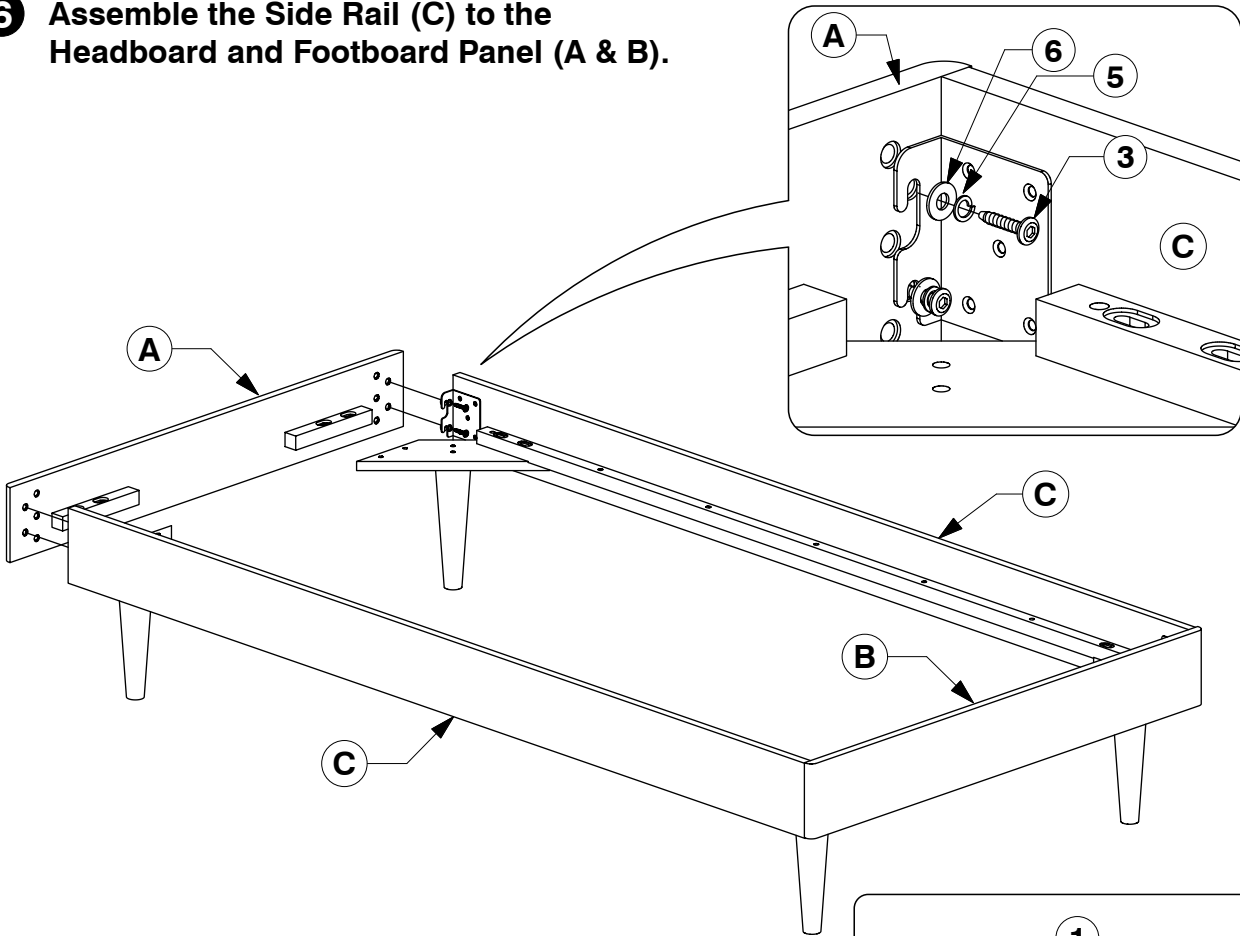
x2



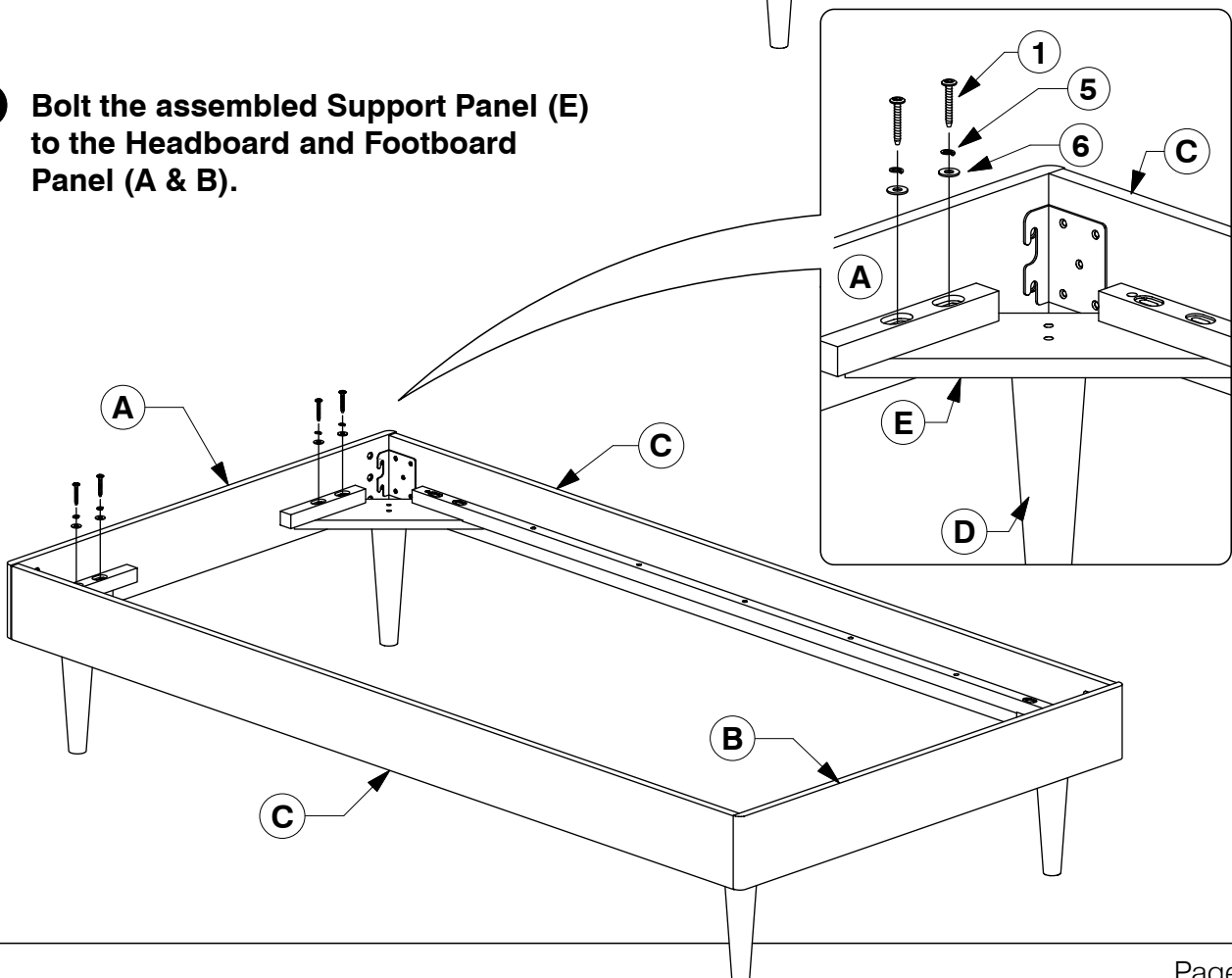
Twin Bed

Assembly Instructions

- 6** Assemble the Side Rail (C) to the Headboard and Footboard Panel (A & B).



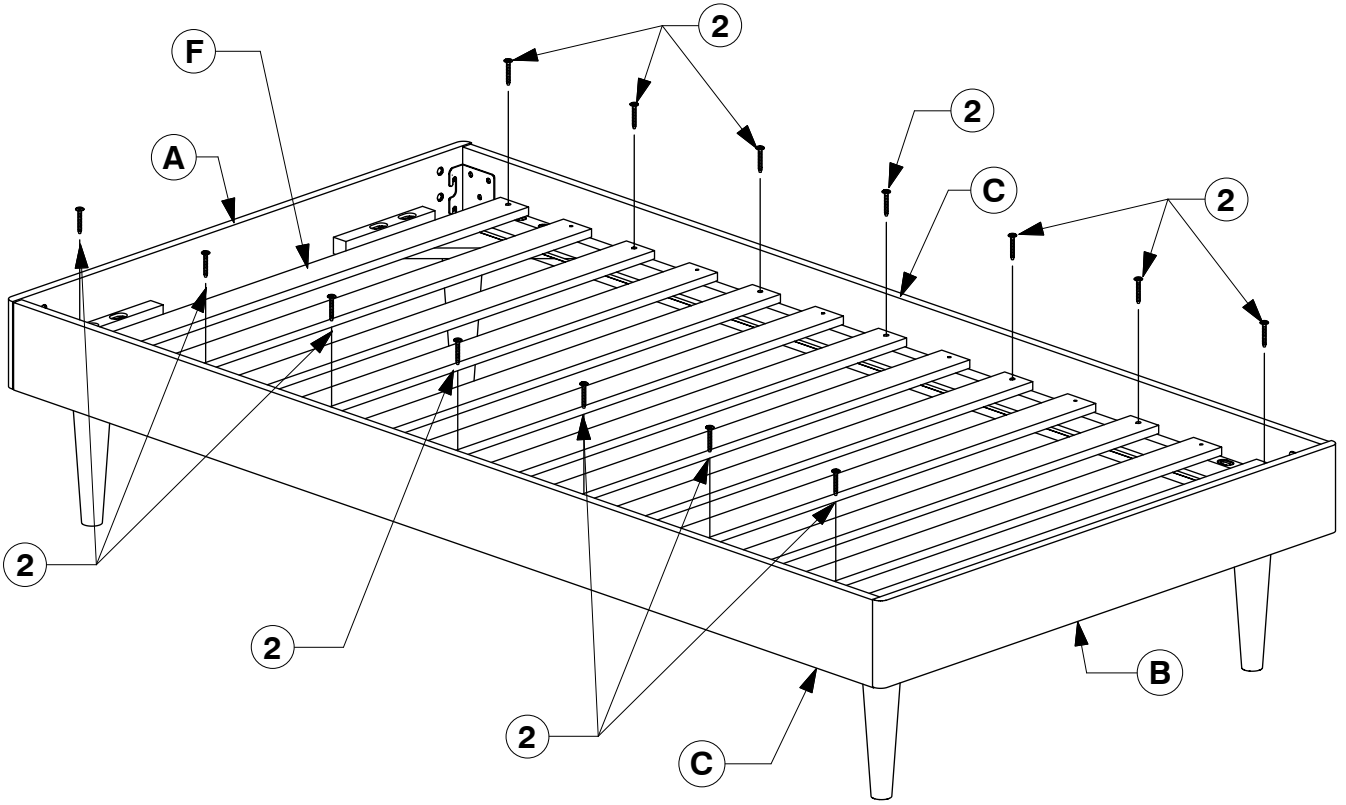
- 7** Bolt the assembled Support Panel (E) to the Headboard and Footboard Panel (A & B).



Twin Bed

Assembly Instructions

8 Bolt the Bed Slats (F) to the Side Rail (C).



9 Screw the Bed Slats (F) to the Side Rail (C).

