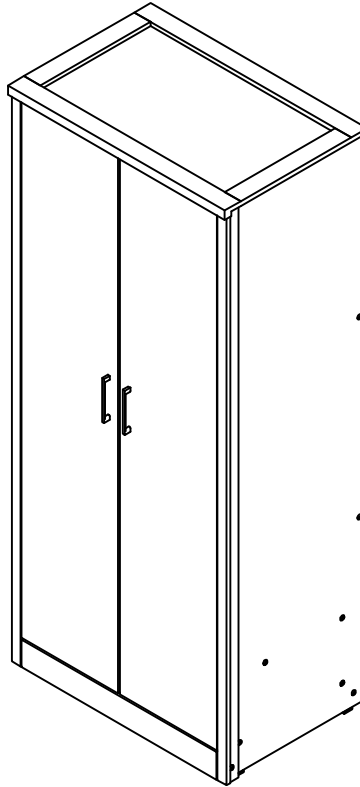


2 DOOR WARDROBE ASSEMBLY INSTRUCTIONS

FOR DOMESTIC USE ONLY



IMPORTANT

PLEASE READ BEFORE YOU CONTINUE FURTHER

THE PRODUCT YOU HAVE PURCHASED WILL GIVE YOU MANY YEARS OF SERVICE IF YOU FOLLOW THE GUIDELINES FOR ITS SAFE ASSEMBLY AND PERIODIC MAINTENANCE AND CLEANING.

ASSEMBLE ON A SOFT CLEAN SURFACE.

DO NOT USE ANY TOOLS OTHER THAN THOSE SHOWN.

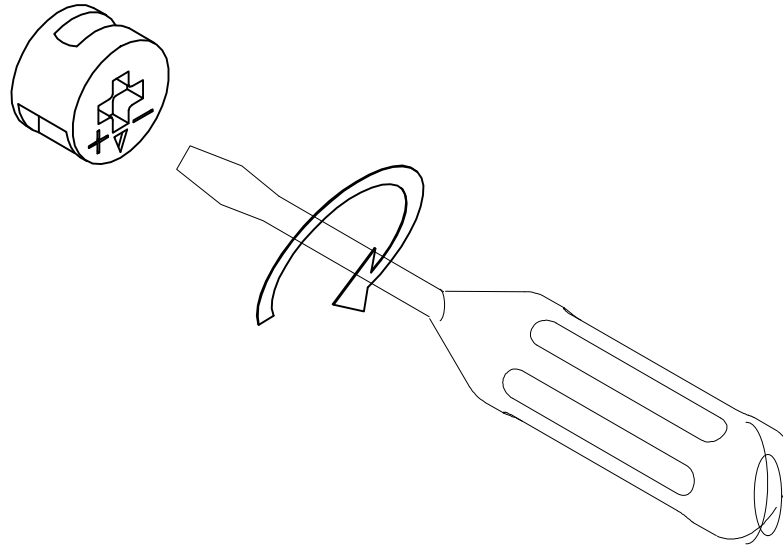
ANY SPANNERS OR ALLEN KEYS REQUIRED ARE INCLUDED WITH THE FITTINGS KIT.

DO NOT FOR ANY REASON USE A POWER TOOL TO ASSEMBLE THIS PRODUCT. ITS USE WILL INVALIDATE ANY CLAIM YOU MAY HAVE AND COULD MAKE THIS PRODUCT UNSAFE.

DEPENDING ON THE AMOUNT OF USE THIS PRODUCT RECEIVES IT MAY BE NECESSARY TO TIGHTEN UP THE FIXINGS FROM TIME TO TIME. THIS IS COMPLETELY NORMAL FOR ANY FLAT PACK FURNITURE. DO NOT OVERTIGHTEN FIXING.

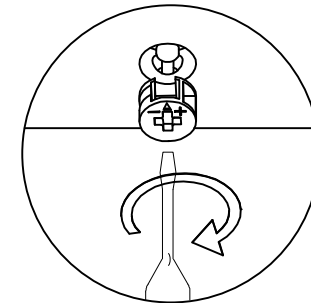
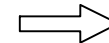
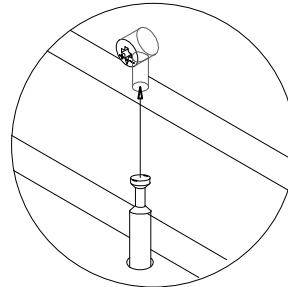
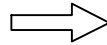
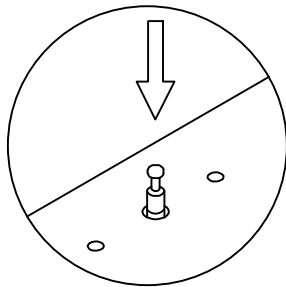
FOR CLEANING, YOU MAY USE A DAMP CLOTH (NOT WET) DO NOT USE POLISH, DETERGENT OR CHEMICAL CLEANERS.

THE SURFACE OF THIS ITEM IS NOT HEAT RESISTANT. ALWAYS USE A PLACE MAT UNDER HOT OR COLD ITEMS TO PREVENT MARKING.



(SCREWDRIVER NOT PROVIDED)

USE A FLAT HEAD SCREWDRIVER TO TIGHTEN THE CAM NUTS. A QUARTER TURN CLOCKWISE IS ALL THAT IS NEEDED.

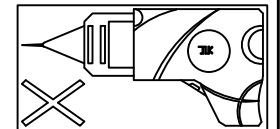


STEP 1 - PUSH CAM BOLT INTO INSERT.

STEP 2 - ALIGN THE CAM BOLT WITH THE HOLE AND PUSH TOGETHER UNTIL FLUSH. (MAKE SURE THE ARROW OF CAM LOCK IS POINTING TOWARD THE HOLE ON EDGE OF PANEL.)

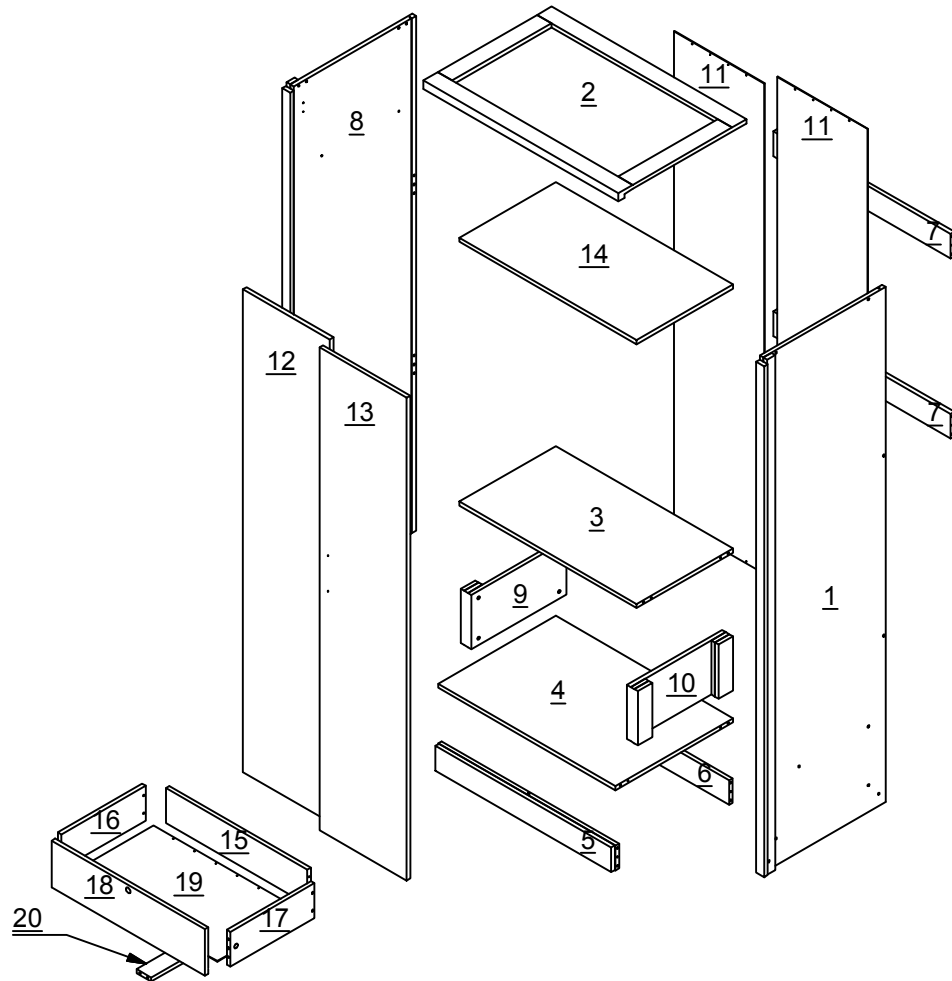
STEP 3 - THE HEAD OF THE BOLT GOES INTO THE WIDE MOUTH OF THE CAM LOCK. YOU THEN TURN THE LOCK SO THE NARROW PART CLOSES OVER THE BOLT.

! CAUTION : THE USE OF POWER TOOLS TO ASSEMBLE THIS PRODUCT WILL INVALIDATE ANY CLAIM AND MAY DAMAGE THIS PRODUCT MAKING IT UNSAFE.



PARTS LIST

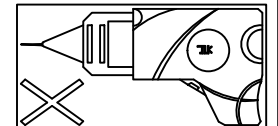
PLEASE CHECK THAT YOU HAVE ALL THE PARTS LISTED BEFORE YOU START ASSEMBLING. IF YOU DO FIND THAT SOMETHING IS MISSING, DO NOT CONTINUE ASSEMBLY, PLEASE CONTACT YOUR SUPPLIER IMMEDIATELY.





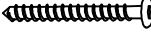
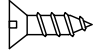
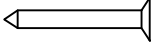

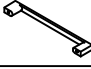


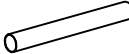



PARTS LIST




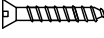


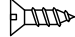



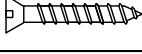


1	RIGHT SIDE PANEL	1 PC
2	TOP PANEL	1 PC
3	CENTRE SHELF	1 PC
4	BASE PANEL	1 PC
5	BASE FRONT APRON	1 PC
6	BASE BACK APRON	1 PC
7	BACK CROSSBARS	2 PCS
8	LEFT SIDE PANEL	1 PC
9	INNER SIDE FRAME 1	1 PC
10	INNER SIDE FRAME 2	1 PC
11	BACK PANEL	2 PCS
12	DOOR PANEL - LEFT	1 PC
13	DOOR PANEL - RIGHT	1 PC
14	SHELF PANEL	1 PC
15	DRAWER BACK	1 PC
16	DRAWER SIDE - LEFT	1 PC
17	DRAWER SIDE - RIGHT	1 PC
18	DRAWER FRONT	1 PC
19	DRAWER BASE	1 PC
20	DRAWER BOTTOM SUPPORT RAIL	1 PC

! CAUTION: THE USE OF POWER TOOLS TO ASSEMBLE THIS PRODUCT WILL INVALIDATE ANY CLAIM AND MAY DAMAGE THIS PRODUCT MAKING IT UNSAFE.

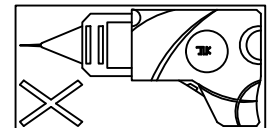


HARDWARE LIST

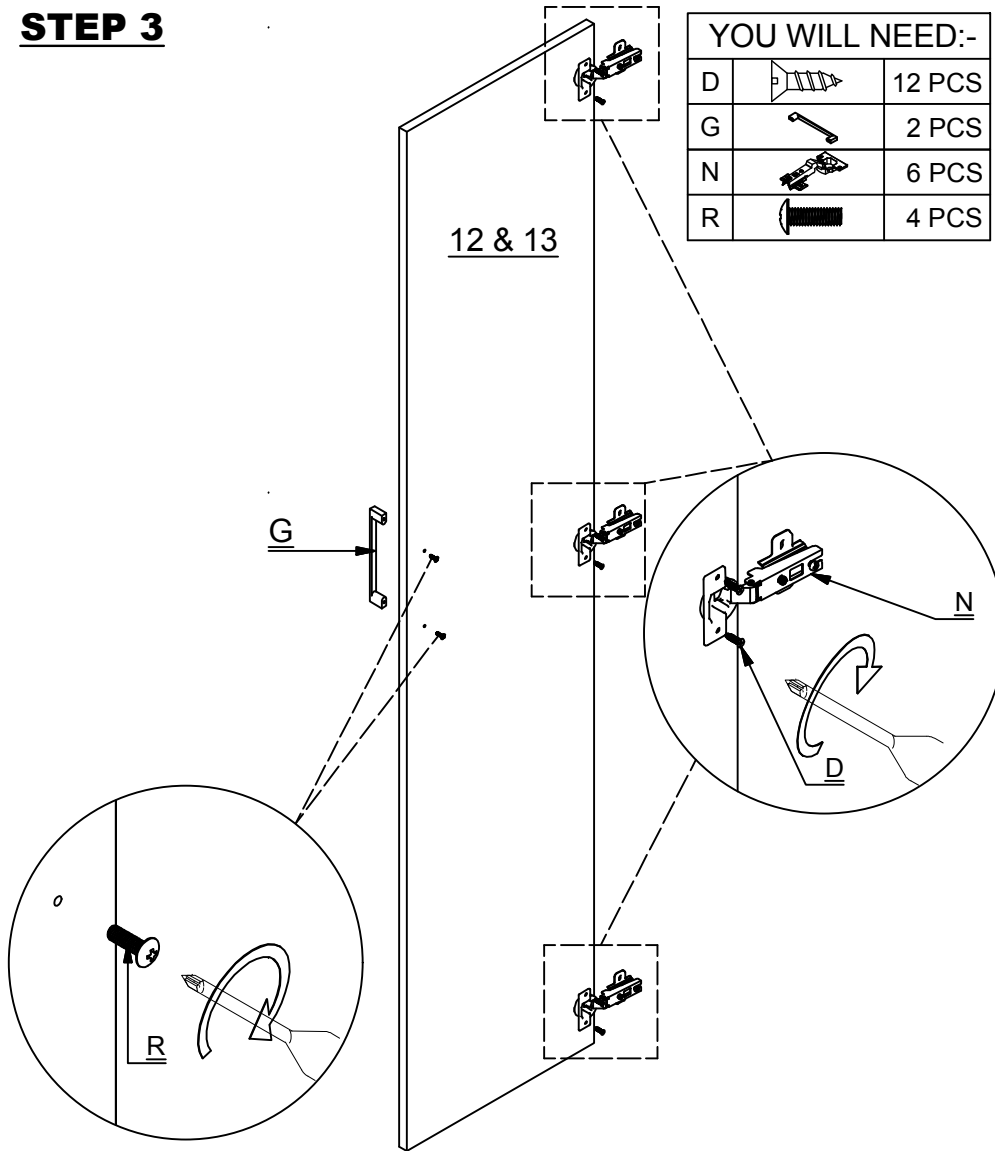
A		DOWEL 6 X 30MM	36 PCS
B		BOLT M6 X 50MM	18 PCS
C		BOLT M7 X 60MM	2 PCS
D		SCREW 3.5 X 16MM	22 PCS
E		TACK	22 PCS
F		SCREW 4 X 38MM	4 PCS
G		HANDLE	2 PCS
H		TAPPING SCREW 8 X 12MM	12 PCS
I		HANGING RAIL SUPPORT	2 PCS
J		HANGING RAIL	1 PC
K		PLASTIC H STRIP	1 PC
L		SHELF SUPPORT	4 PCS
M		L-BRACKET	1 PC

N		HINGES 7/8	6 PCS
O		DRAWER RUNNER A	2 PCS
P		DRAWER RUNNER B	2 PCS
Q		SCREW 4 X 30MM	2 PCS
R		HANDLE SCREW 19MM	4 PCS
S		ALLEN KEY	1 PC
T		SCREW 3.5 X 12MM	14 PCS
U		CAM BOLT + CAM NUT	2 SETS
V		PLASTIC FOOT	4 PCS
W		LOCK	1 SET
X		SCREW 4 X 50MM	8 PCS
Y		ANTI - TIP STRAP	2 PCS
Z		SCREW M4 X 16MM	2 PCS

! **CAUTION:** THE USE OF POWER TOOLS TO ASSEMBLE THIS PRODUCT WILL INVALIDATE ANY CLAIM AND MAY DAMAGE THIS PRODUCT MAKING IT UNSAFE.



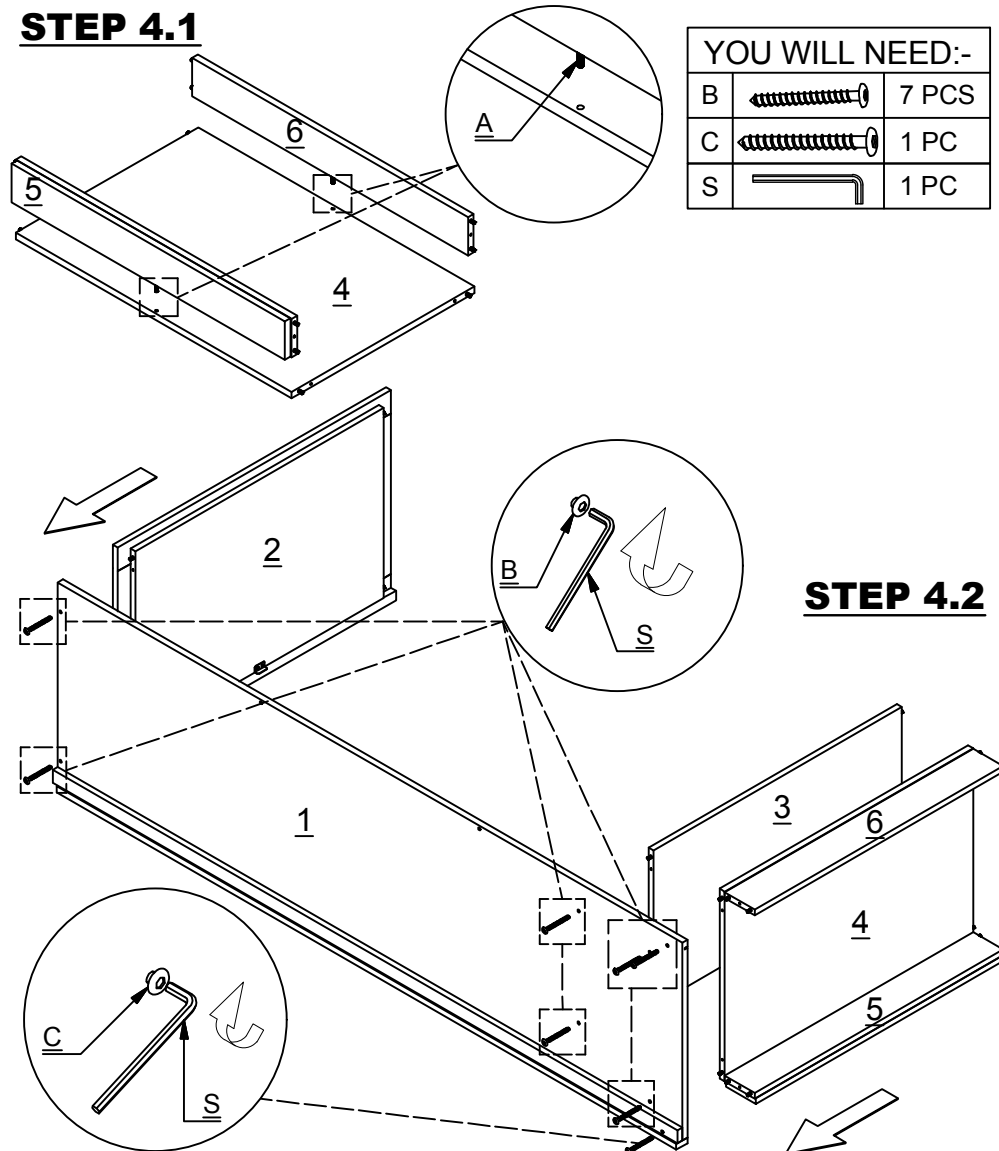
STEP 3



YOU WILL NEED:-

D		12 PCS
G		2 PCS
N		6 PCS
R		4 PCS

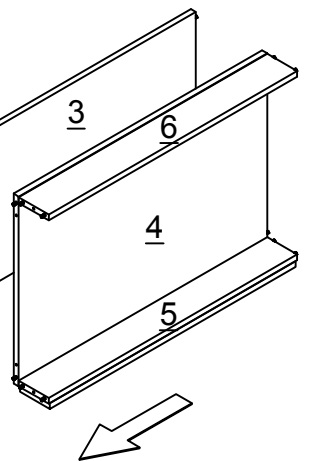
STEP 4.1



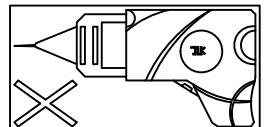
YOU WILL NEED:-

B		7 PCS
C		1 PC
S		1 PC

STEP 4.2

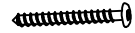




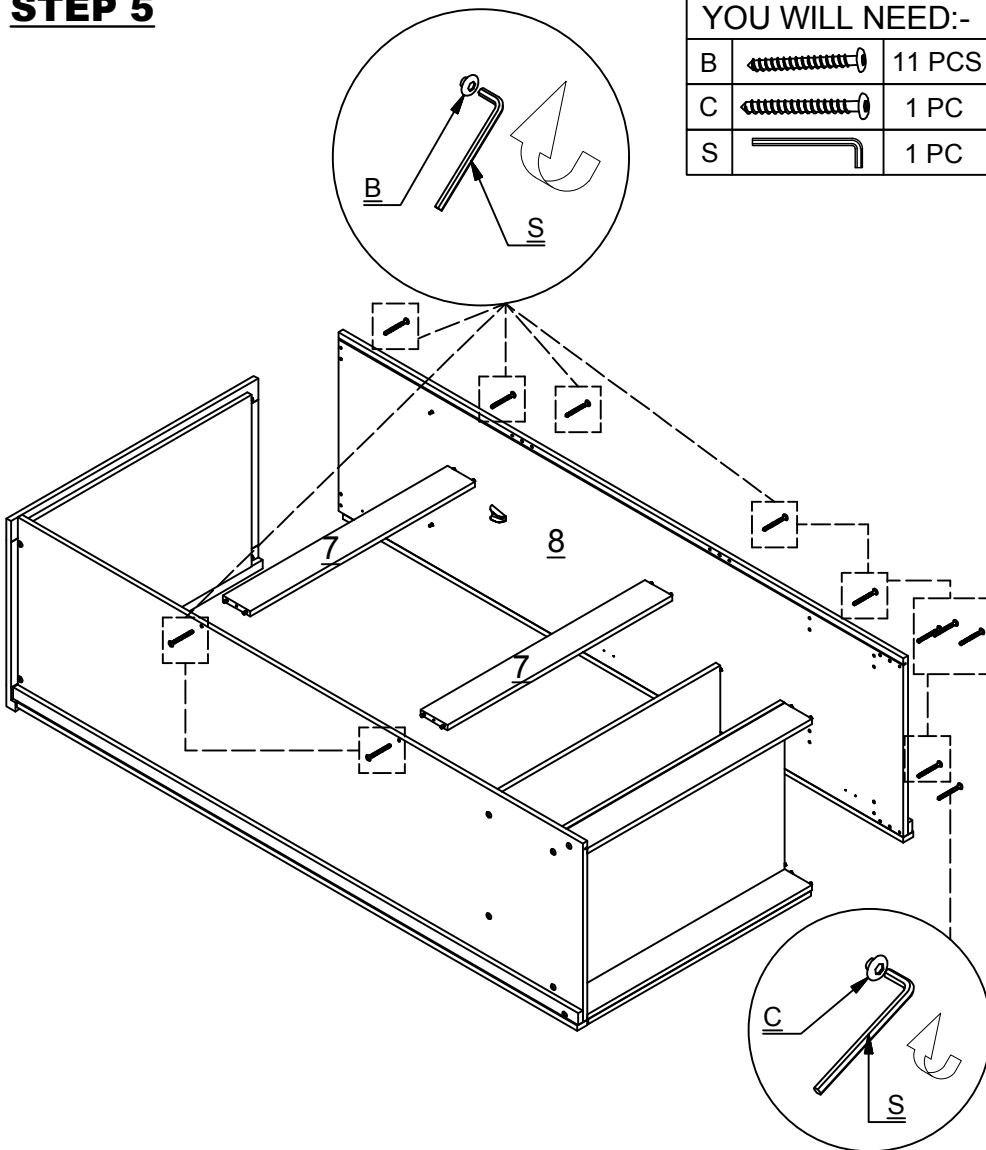
! CAUTION: THE USE OF POWER TOOLS TO ASSEMBLE THIS PRODUCT WILL INVALIDATE ANY CLAIM AND MAY DAMAGE THIS PRODUCT MAKING IT UNSAFE.



STEP 5

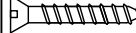
YOU WILL NEED:-

B		11 PCS
C		1 PC
S		1 PC

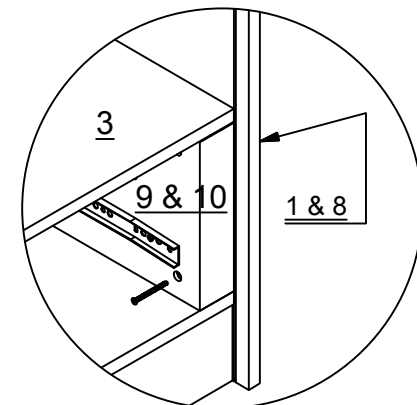


STEP 6

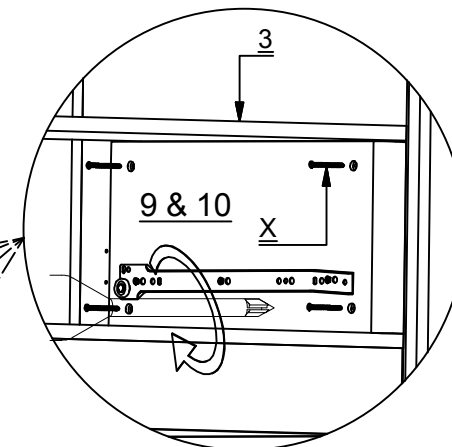
YOU WILL NEED:-

X		8 PCS
---	---	-------

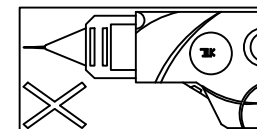
BACK SIDE VIEW



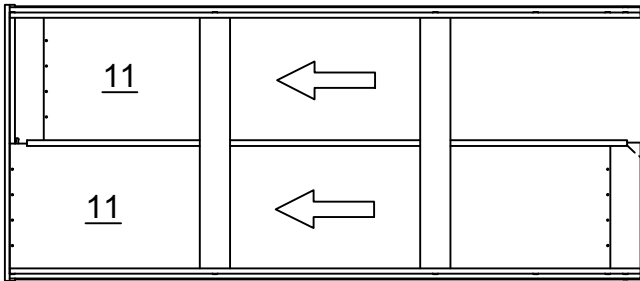
SIDE VIEW



! **CAUTION:** THE USE OF POWER TOOLS TO ASSEMBLE THIS PRODUCT WILL INVALIDATE ANY CLAIM AND MAY DAMAGE THIS PRODUCT MAKING IT UNSAFE.

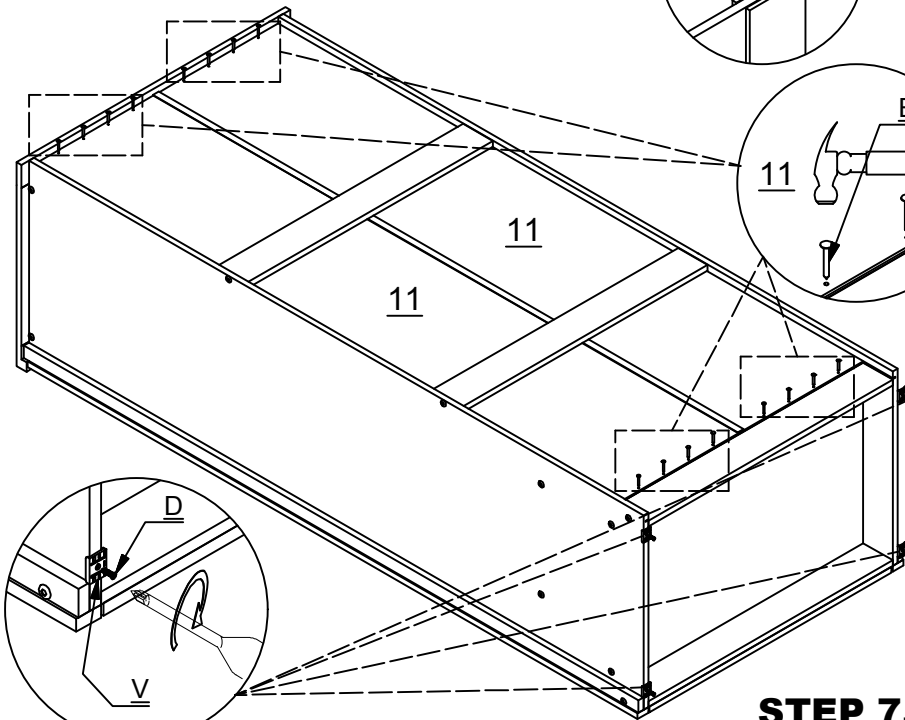
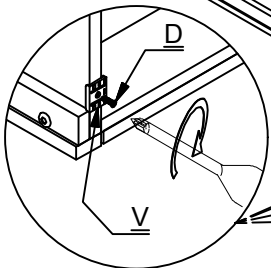
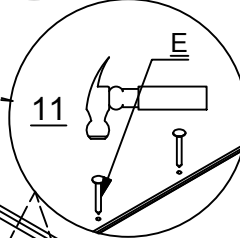
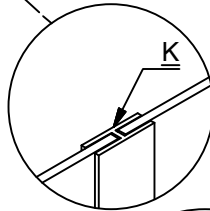


STEP 7.1



PLEASE INSERT THE BACK PANEL INTO THE UNIT

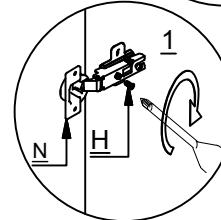
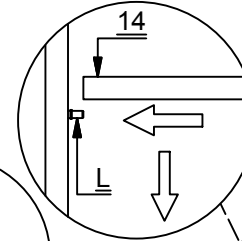
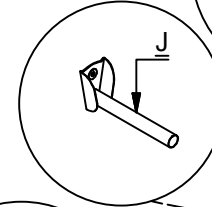
YOU WILL NEED:-		
D		4 PCS
E		16 PCS
K		1 PC
V		4 PCS



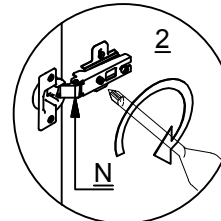
STEP 7.2

STEP 8

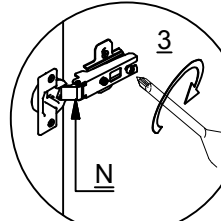
YOU WILL NEED:-		
H		12 PCS
J		1 PC



1. VERTICAL ADJUSTMENT VIA SLOT IN THE MOUNTING PLATE

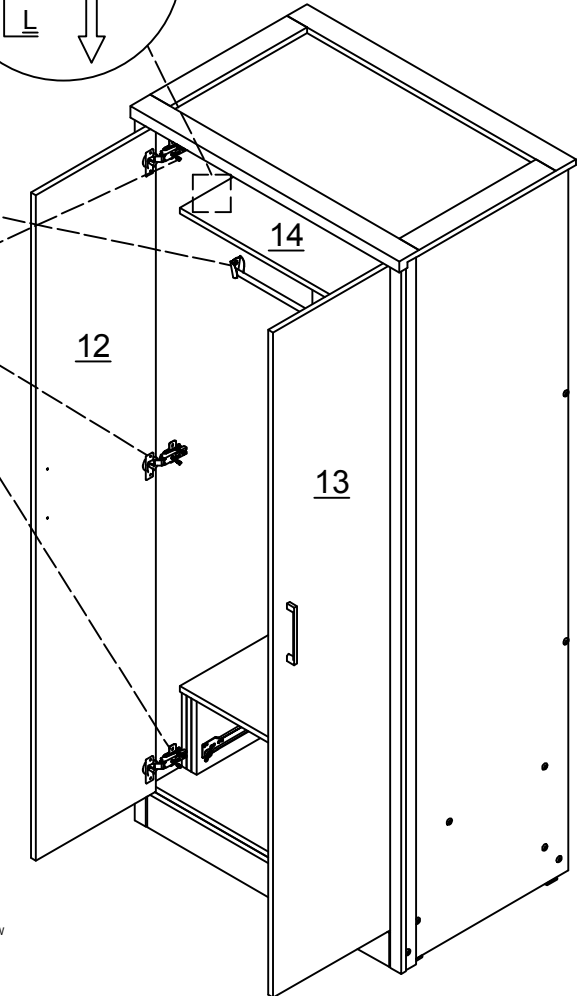


2. LATERAL ADJUSTMENT BY SCREW ADJUSTING

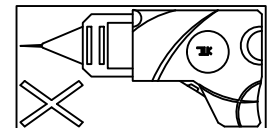


3. FRONT-TO-BACK BY THE SLACKING THE HINGE ARM MOUNTING SCREW

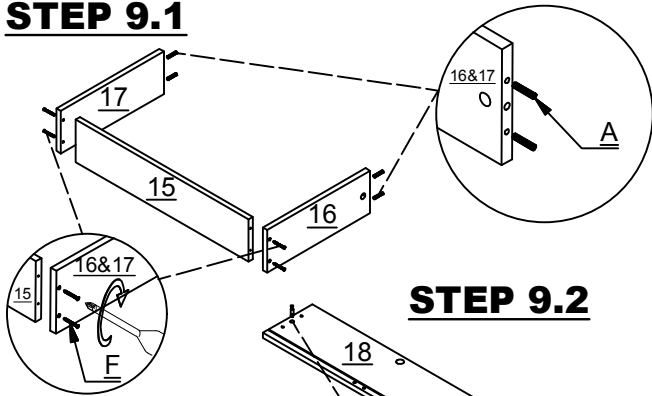
YOU SHOULD RE-ADJUST SCREWS AS SHOWN ABOVE TO ALIGN DOOR ONCE HINGES HAVE BEEN ATTACHED.



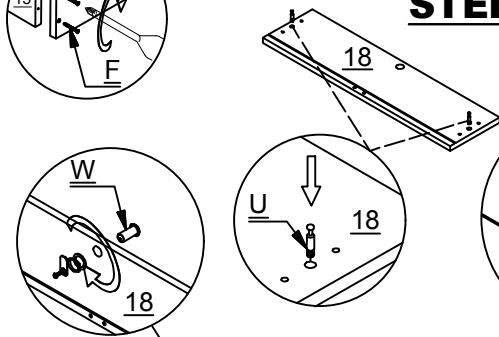
! CAUTION: THE USE OF POWER TOOLS TO ASSEMBLE THIS PRODUCT WILL INVALIDATE ANY CLAIM AND MAY DAMAGE THIS PRODUCT MAKING IT UNSAFE.



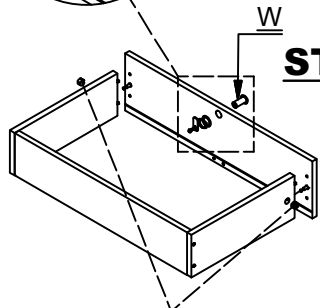
STEP 9.1



STEP 9.2



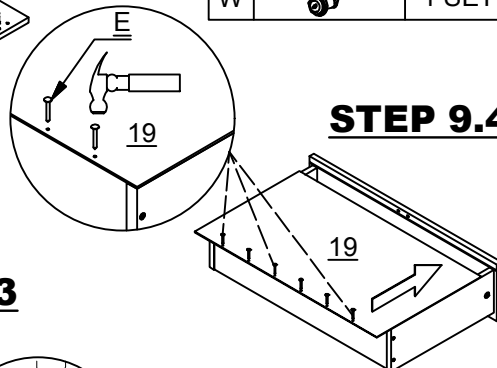
STEP 9.3



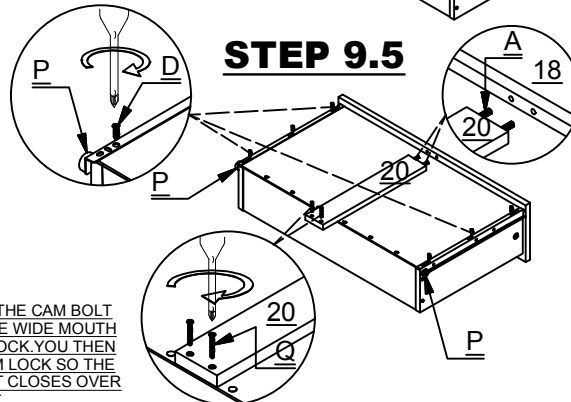
YOU WILL NEED:-

A		6 PCS
D		6 PCS
E		6 PCS
F		4 PCS
P		2 PCS
Q		2 PCS
U		2 SETS
W		1 SET

STEP 9.4

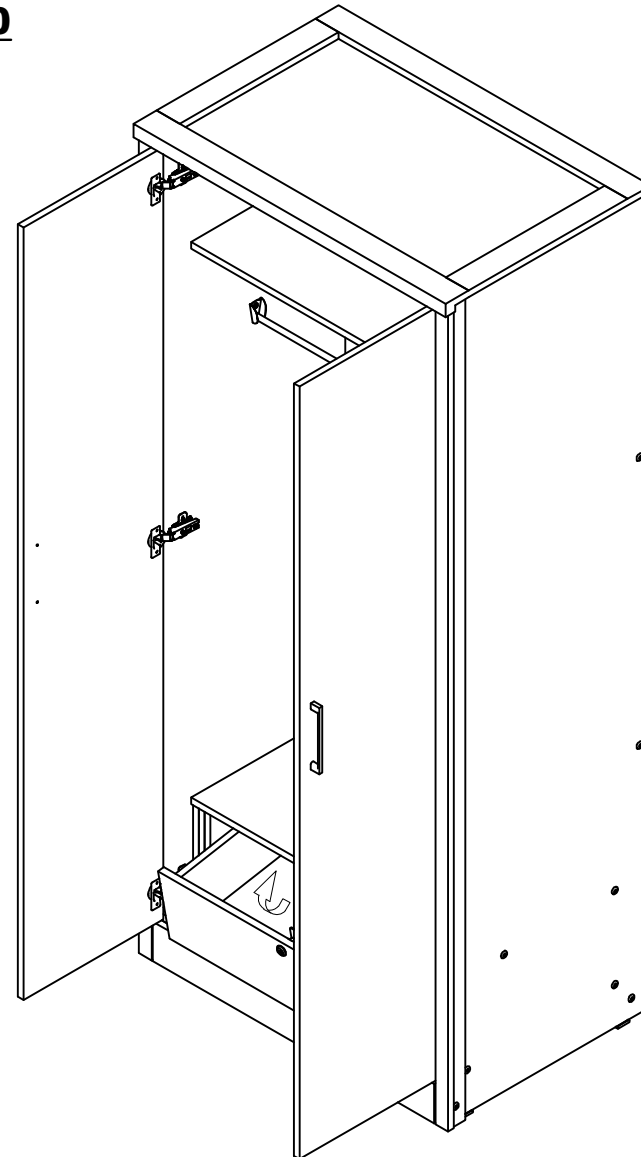


STEP 9.5

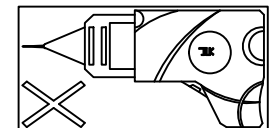


THE HEAD OF THE CAM BOLT GOES INTO THE WIDE MOUTH OF THE CAM LOCK YOU THEN TURN THE CAM LOCK SO THE NARROW PART CLOSES OVER THE CAM BOLT.

STEP 10



! **CAUTION:** THE USE OF POWER TOOLS TO ASSEMBLE THIS PRODUCT WILL INVALIDATE ANY CLAIM AND MAY DAMAGE THIS PRODUCT MAKING IT UNSAFE.



WARNING

Serious or fatal injuries can occur from furniture tipping over. To prevent the furniture from tipping over we recommend that it is permanently fixed to the wall.

Wall fixings are not supplied with this product as different wall materials require different types of fixing devices. Please make sure you use fixings suitable for the walls in your home.

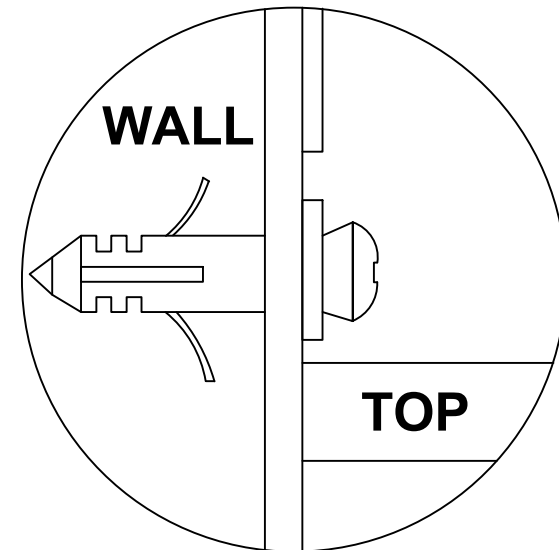
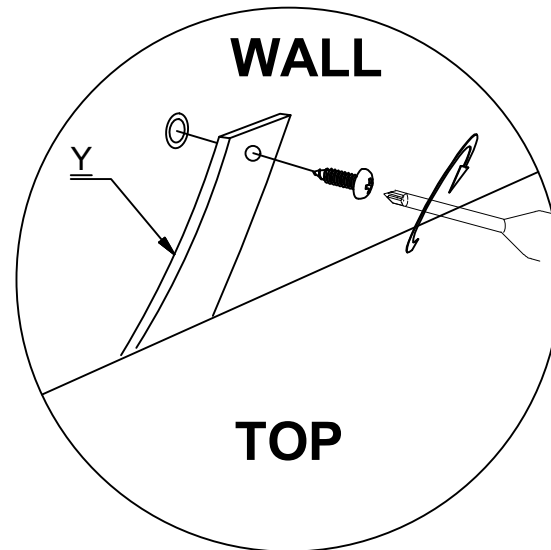
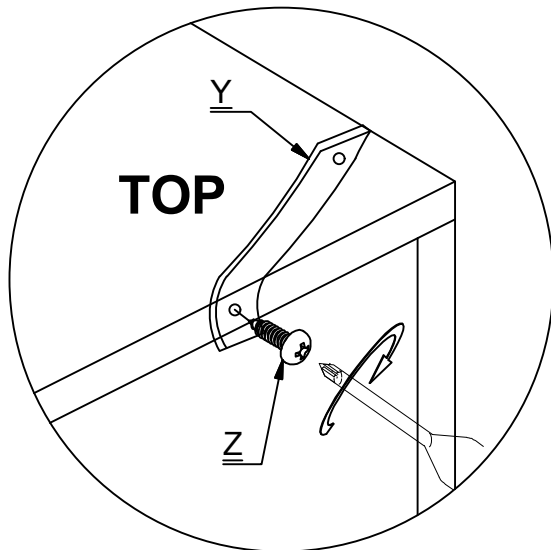
HARDWARE LIST



(Y) Anti-Tip Strap - 2 pc



(Z) M4 X 16MM - 2 pc



! **CAUTION:** THE USE OF POWER TOOLS TO ASSEMBLE THIS PRODUCT WILL INVALIDATE ANY CLAIM AND MAY DAMAGE THIS PRODUCT MAKING IT UNSAFE.

