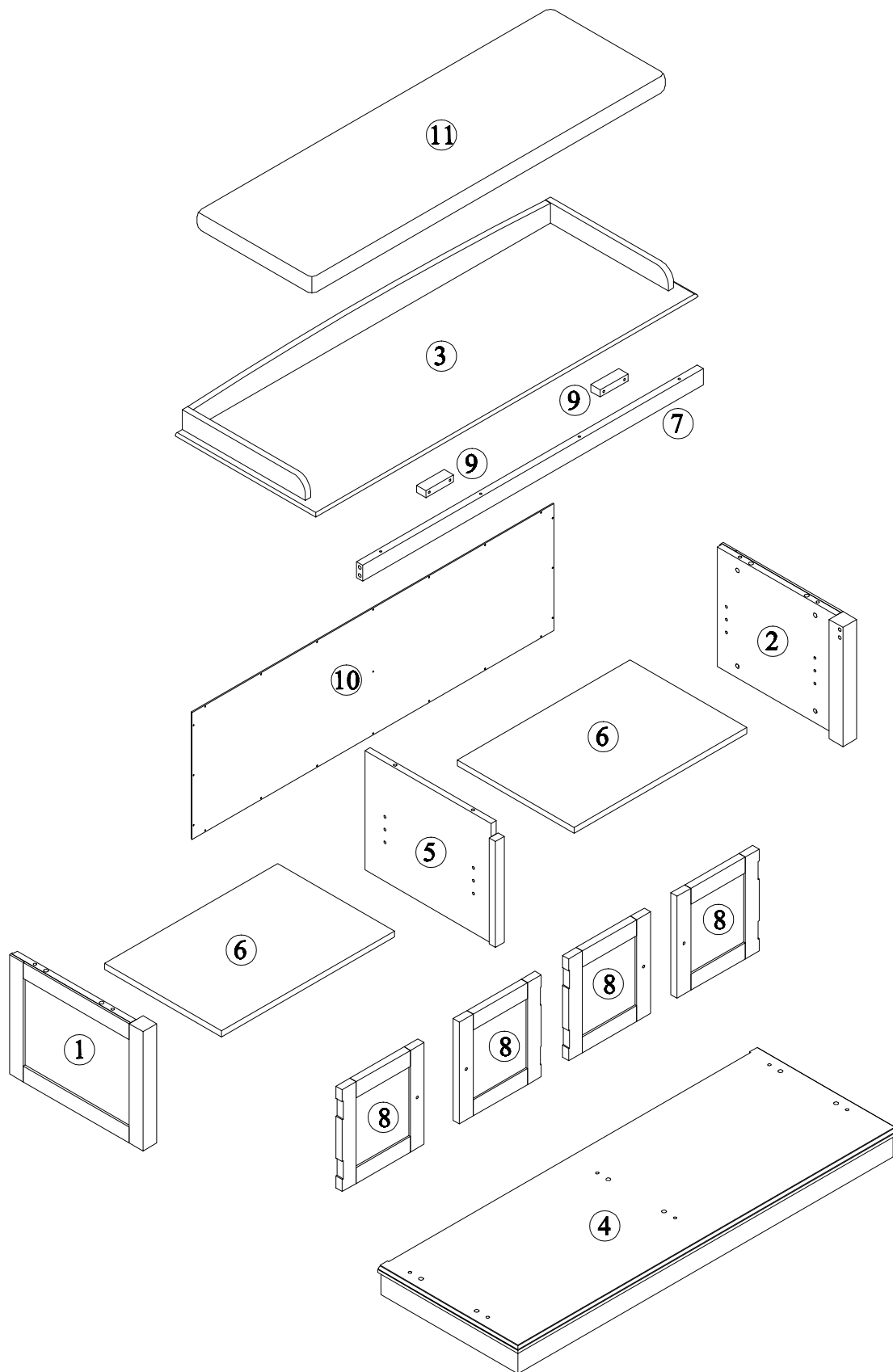
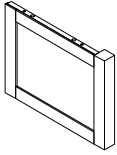
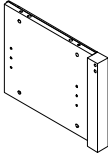
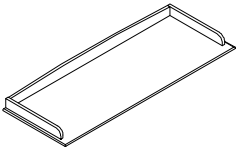
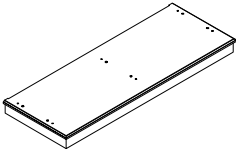
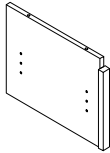
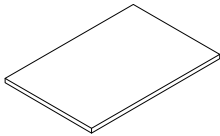
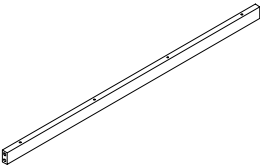
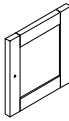
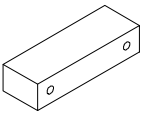
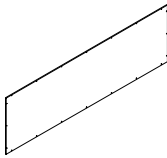
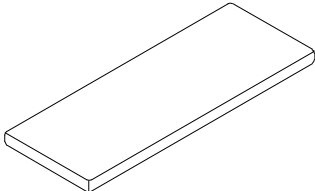


Detail View - CABINET

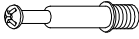

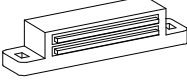

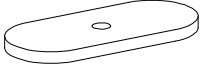
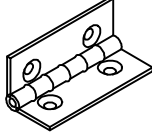
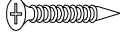


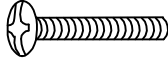






Identifying the Hardware-Identify the hardware using the illustrations below.

Part List—WF284227

<p>1</p>	 <p>Left side - 1pc</p>	<p>2</p>	 <p>Right side - 1pc</p>
<p>3</p>	 <p>Top frames - 1pc</p>	<p>4</p>	 <p>Bottom frames - 1pc</p>
<p>5</p>	 <p>Middle vertical panel - 1pc</p>	<p>6</p>	 <p>Mid panel - 2pcs</p>
<p>7</p>	 <p>Horizontal board - 1pc</p>	<p>8</p>	 <p>Cabinet door - 4pcs</p>
<p>9</p>	 <p>Support - 2pcs</p>	<p>10</p>	 <p>Back panel - 1pc</p>
<p>11</p>	 <p>Cushions - 1pc</p>		

Hardware List—WF284227

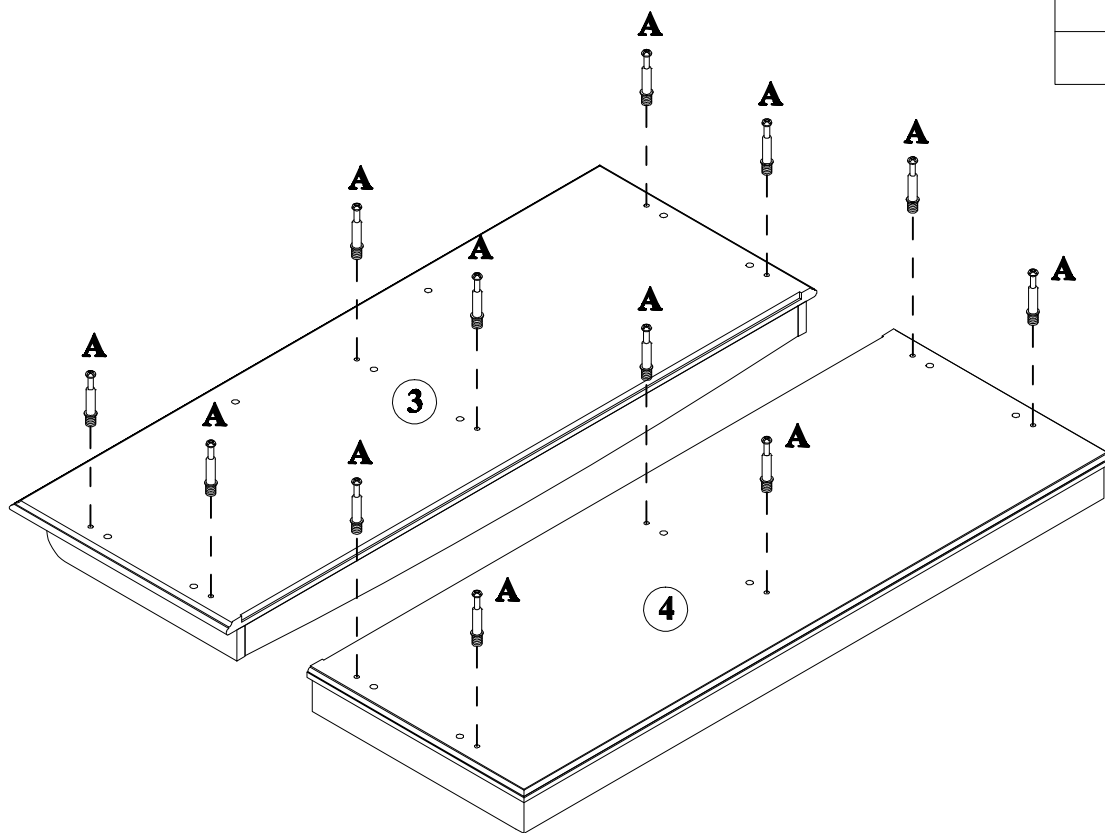
<p>A</p>  <p>ø6x35mm</p> <p>Three in one bolts(12pcs)</p>	<p>B</p>  <p>ø14.5x12mm</p> <p>Three in one lock(12pcs)</p>	<p>C</p>  <p>45x16x14mm</p> <p>Door magnet(2pcs)</p>
<p>D</p>  <p>ø6xø3x12mm</p> <p>Round head screw(4pcs)</p>	<p>E</p>  <p>35x12x1mm</p> <p>Magnetic iron sheet(4pcs)</p>	<p>F</p>  <p>Hinges(8pcs)</p>
<p>G</p>  <p>ø7xø3.5x12mm</p> <p>Flat head screw(36pcs)</p>	<p>H</p>  <p>Laminate pad(8pcs)</p>	<p>I</p>  <p>Handle(4pcs)</p>
<p>J</p>  <p>ø5/32"x25mm</p> <p>Handle screw(4pcs)</p>	<p>K</p>  <p>ø7xø3x12mm</p> <p>Round head screw(21pcs)</p>	<p>L</p>  <p>ø8xø4x30mm</p> <p>Round head screw(8pcs)</p>
<p>M</p>  <p>ø8x30mm</p> <p>Wood dowel(18pcs)</p>	<p>N</p>  <p>4mm</p> <p>Allen key(1pc)</p>	

STEP: 1

A



12PCS

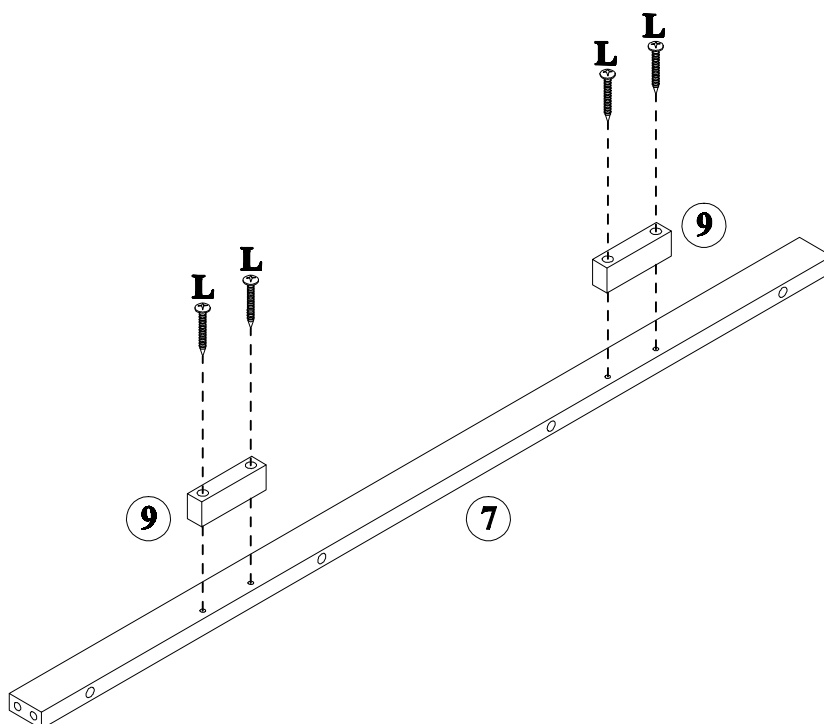


STEP: 2

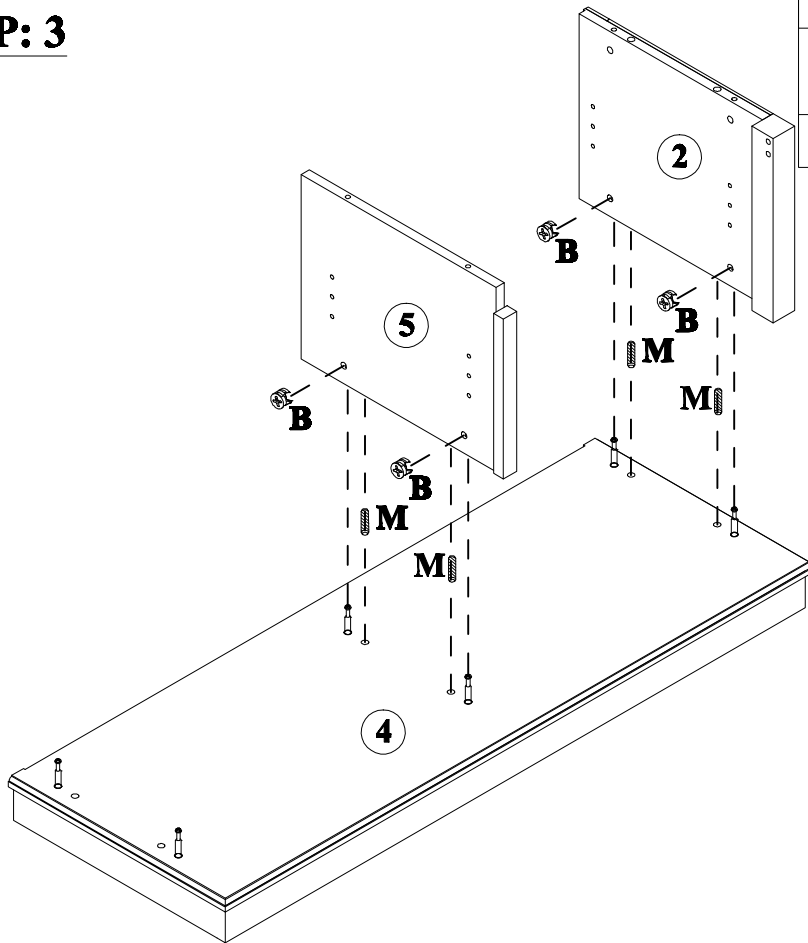
L


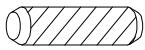


4PCS

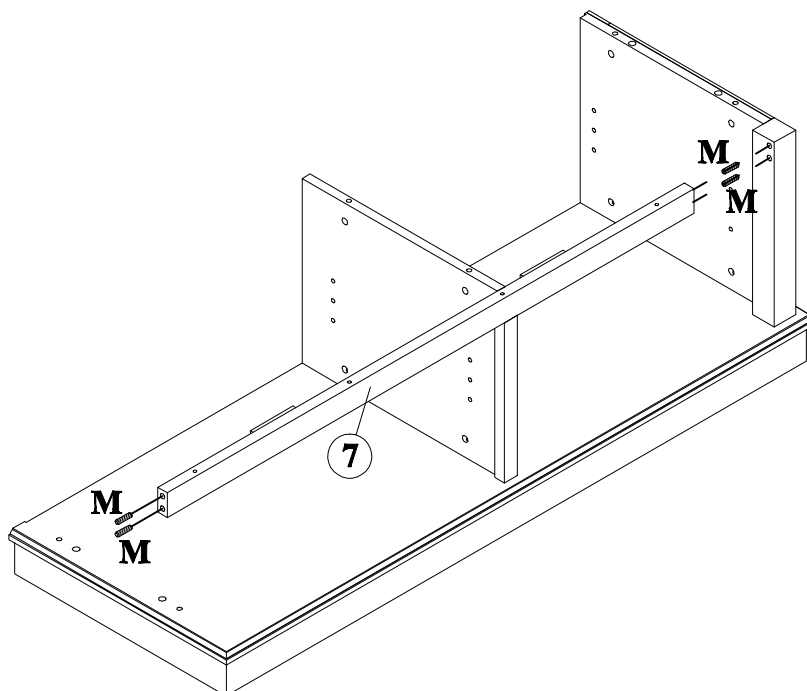


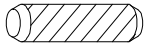
STEP: 3



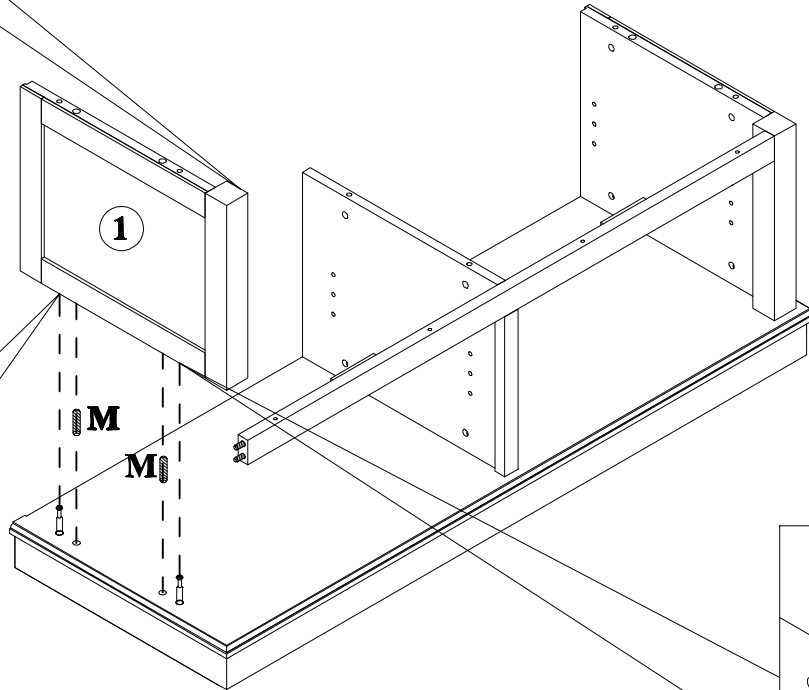
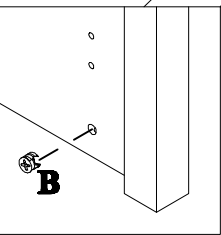
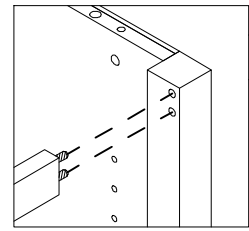
B		M	
4PCS		4PCS	


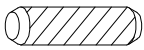
STEP: 4



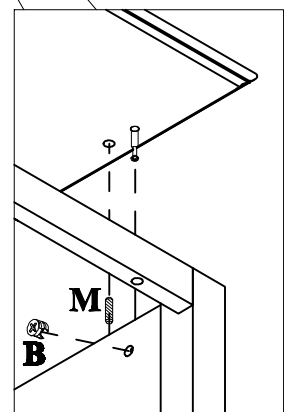
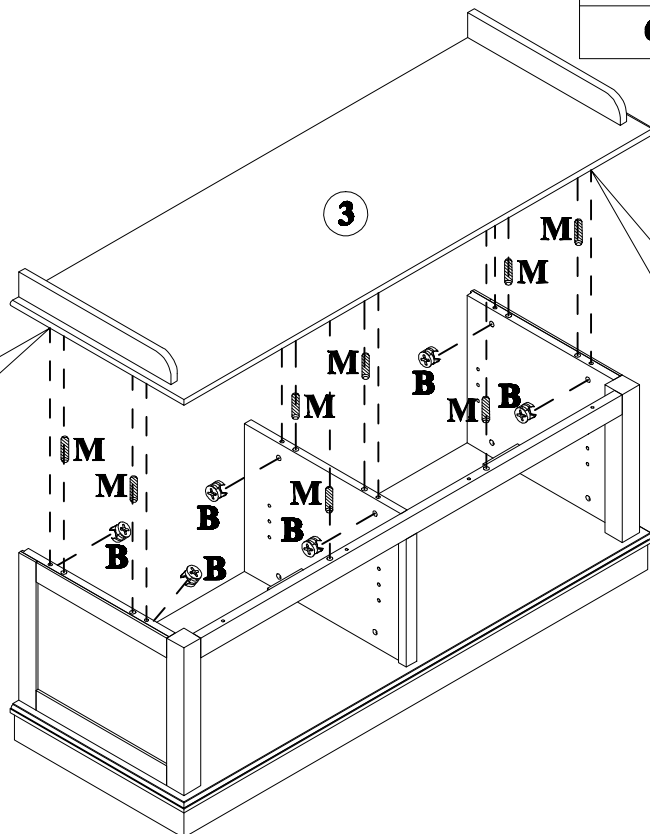
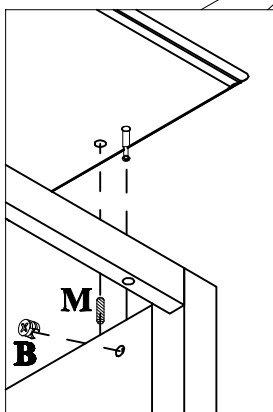
M	
4PCS	


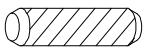
STEP: 5



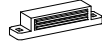


B		M	
	2PCS		2PCS

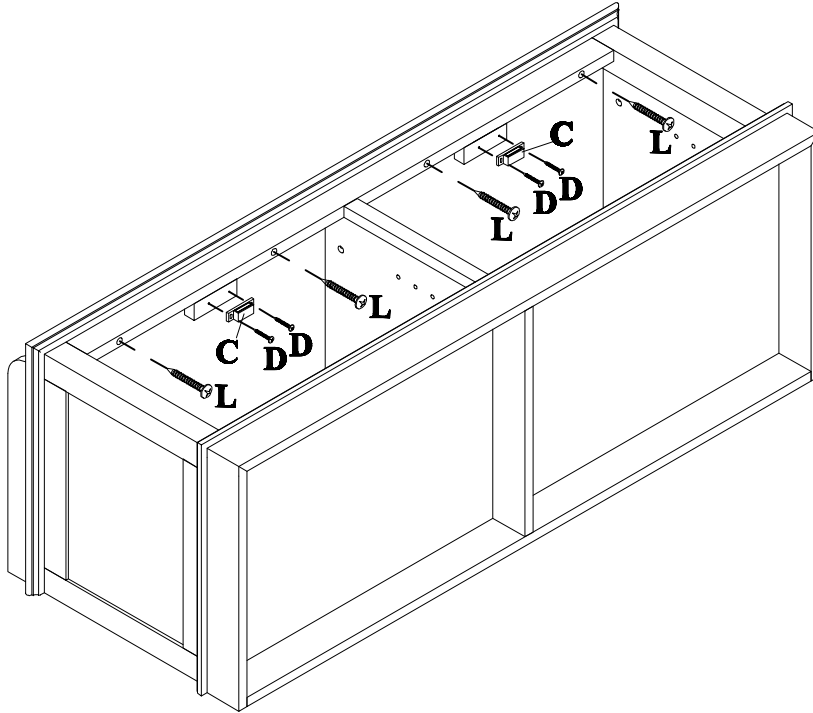
STEP: 6





B		M	
	6PCS		8PCS

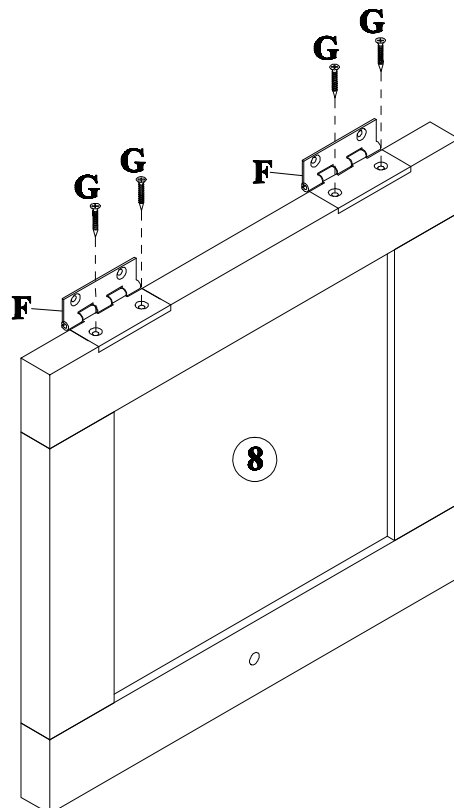
STEP: 7

C	D	L
		
2PCS	4PCS	4PCS



STEP: 8

F	G
	
8PCS	16PCS



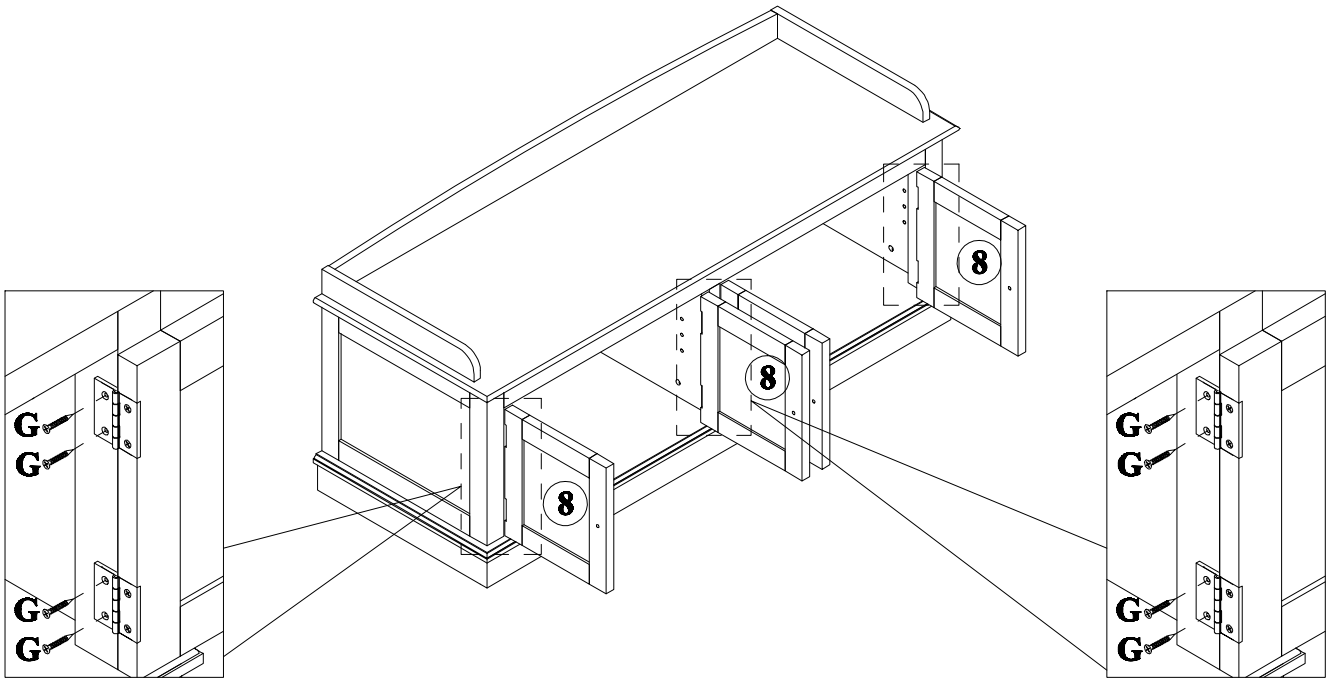
X 4

STEP: 9

G



16PCS



STEP: 10

E



4PCS

G



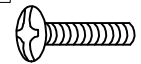
4PCS

I

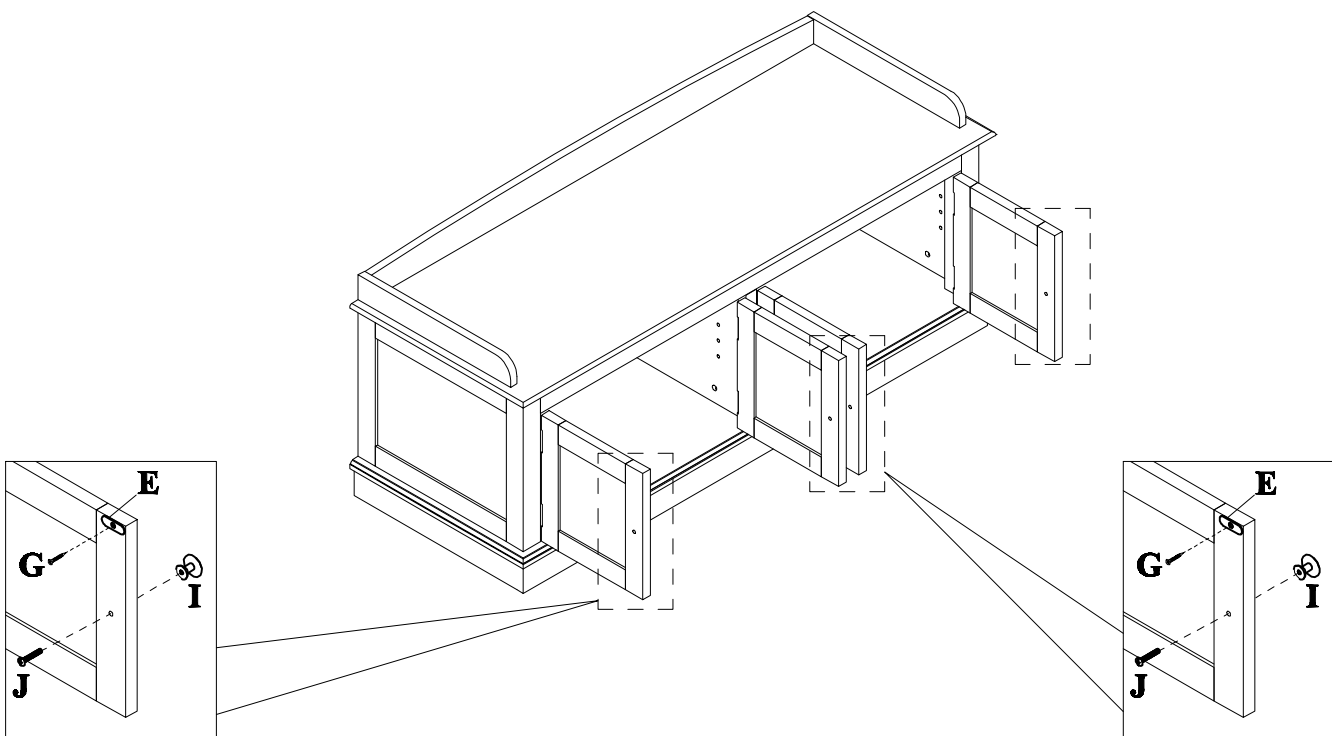


4PCS

J



4PCS

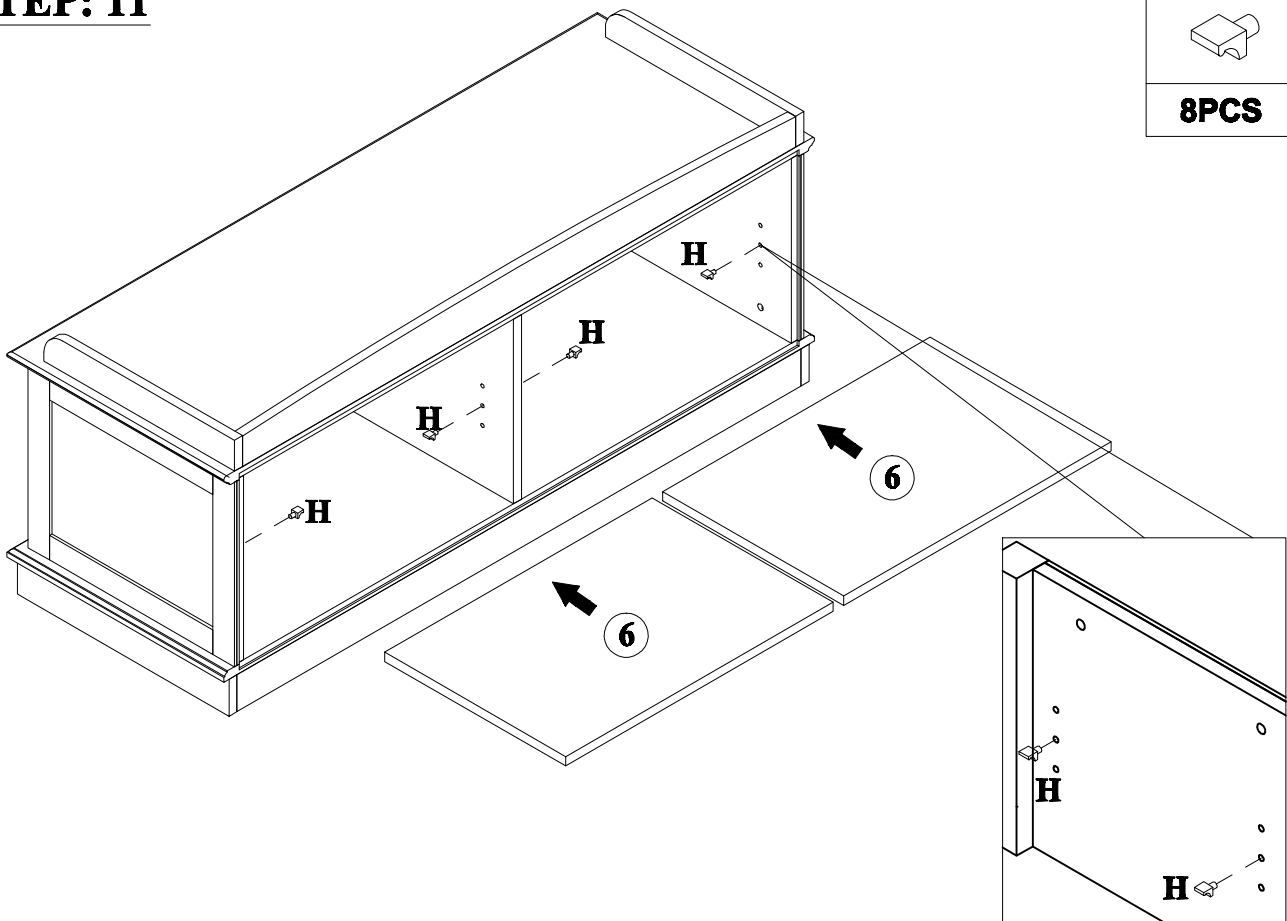


STEP: 11

H

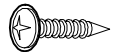


8PCS

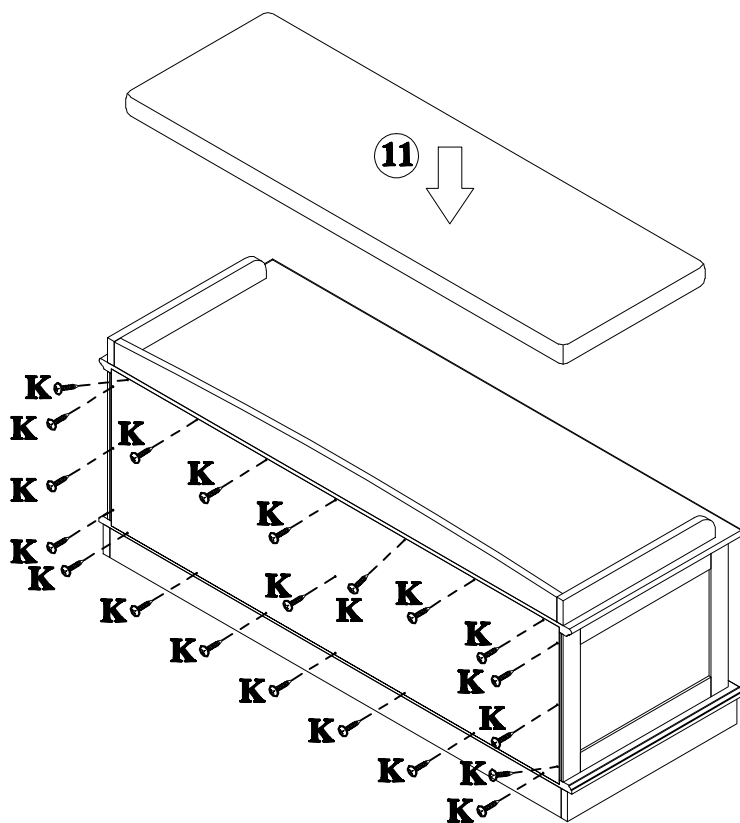


STEP: 12

K



21PCS



STEP: 13

