

Size of Mattress and Foundation

The length and width of the upper and lower bunk mattress and foundation are as follows :

<u>Size</u>	<u>Length</u>	<u>Width</u>	<u>Thickness</u>
Twin	74" - 75"	37 ½" - 38 ½"	9 ½" max

You must use only this size mattress.

Ensure thickness of upper and lower mattress and foundation combined does not exceed 9 ½" and that the mattress is at least 5" below upper edge of guardrails.
This Bunk Bed uses a slat kit for mattress foundation.



SAFETY WARNINGS

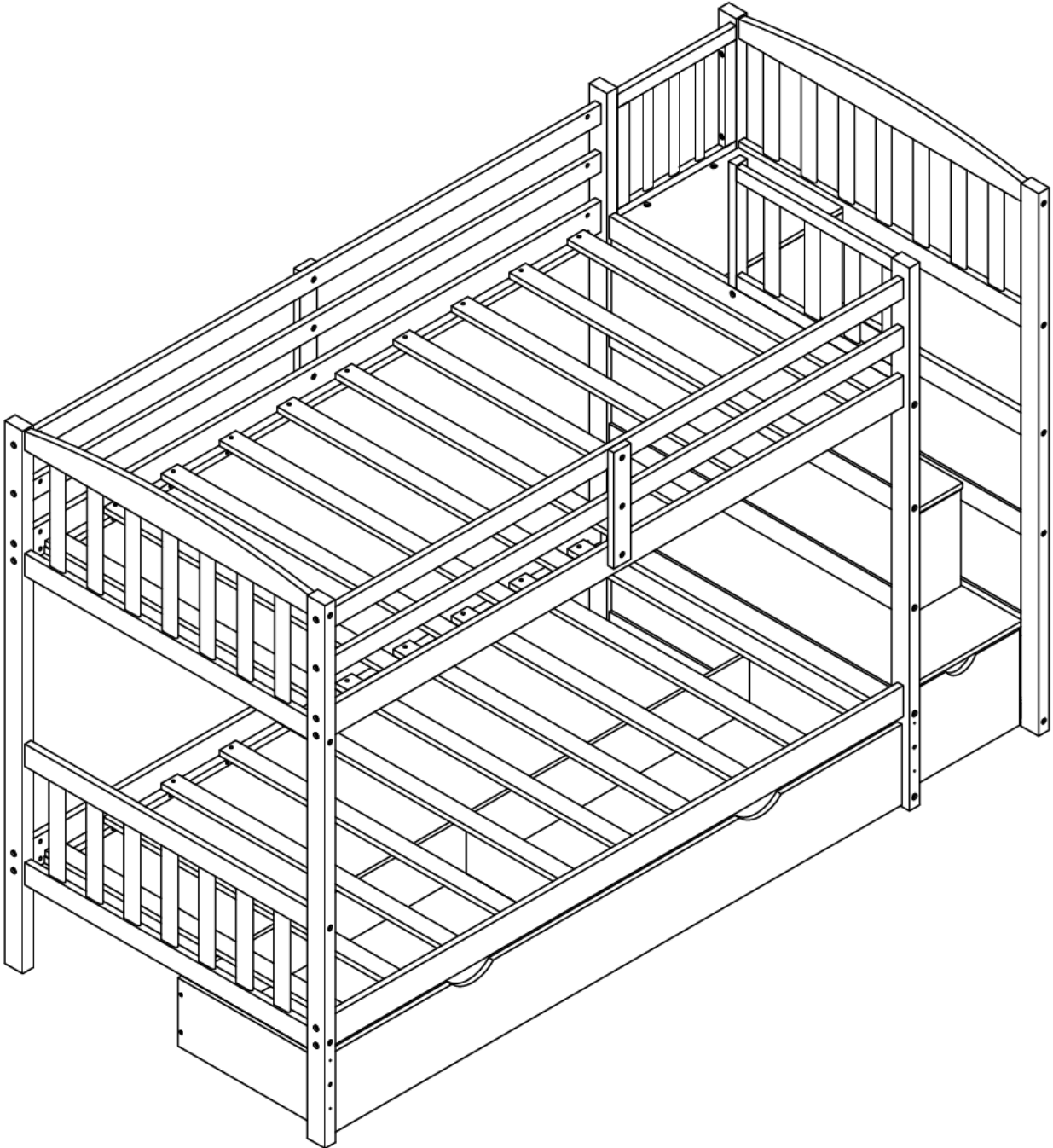


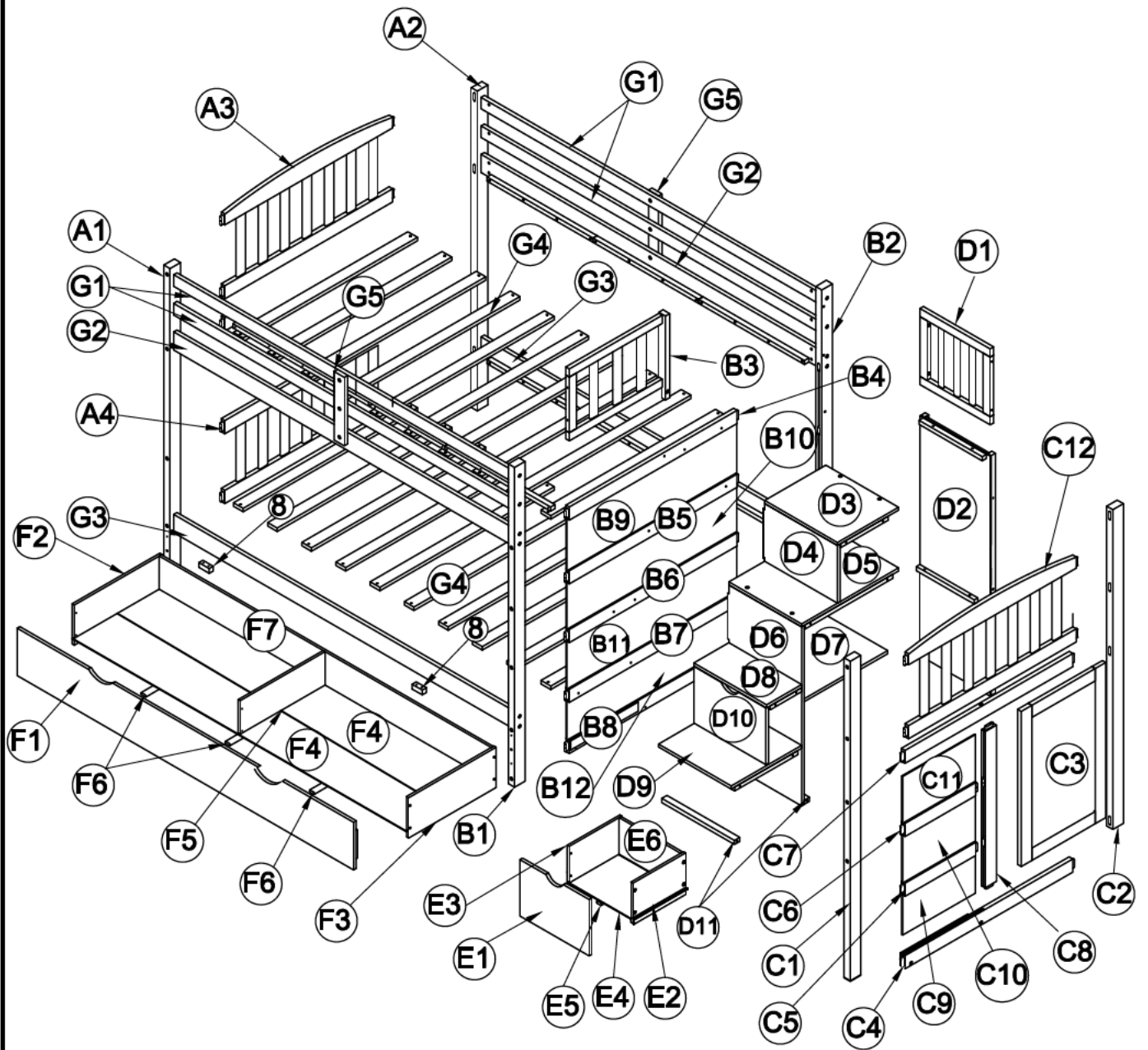
- (1) Follow the information on the warnings appearing on the upper bunk end structure and on the carton. Do not remove warning label from bed.
- (2) Always use the recommended size mattresses or mattress support, or both, to help prevent the likelihood of entrapment or falls.
- (3) Surface of mattress must be at least 5 in. (127mm) below the upper edge of guardrails.
- (4) Do not allow children under 6 years of age to use the upper bunk.
- (5) Periodically check and ensure that the guardrail, ladder, and other component are in their proper position, free from damage, and that all connectors are tight.
- (6) Do not allow horseplay on or under the bed and prohibit jumping on the bed.
- (7) Always use ladder for entering or leaving upper bunk.
- (8) Do not use substitute parts. Contact the manufacturer or dealer for replacement parts.
- (9) Use of a night light may provide added safety precaution for a child using the upper bunk.
- (10) Always use guardrails on both long sides of the upper bunk. If the bunk bed will be placed next to the wall, the guardrail that runs the full length of the bed should be placed against the wall to prevent entrapment between the bed and the wall.
- (11) The use of water or sleep flotation mattresses is prohibited.
- (12) STRANGULATION HAZARD : Never attach or hang items to any part of the bunk bed that are not designed for use with the bed; for example, but not limited to, hooks, belts and jump ropes.
- (13) Keep these instructions for future reference.

ASSEMBLY INSTRUCTION

OPTION 1

BED



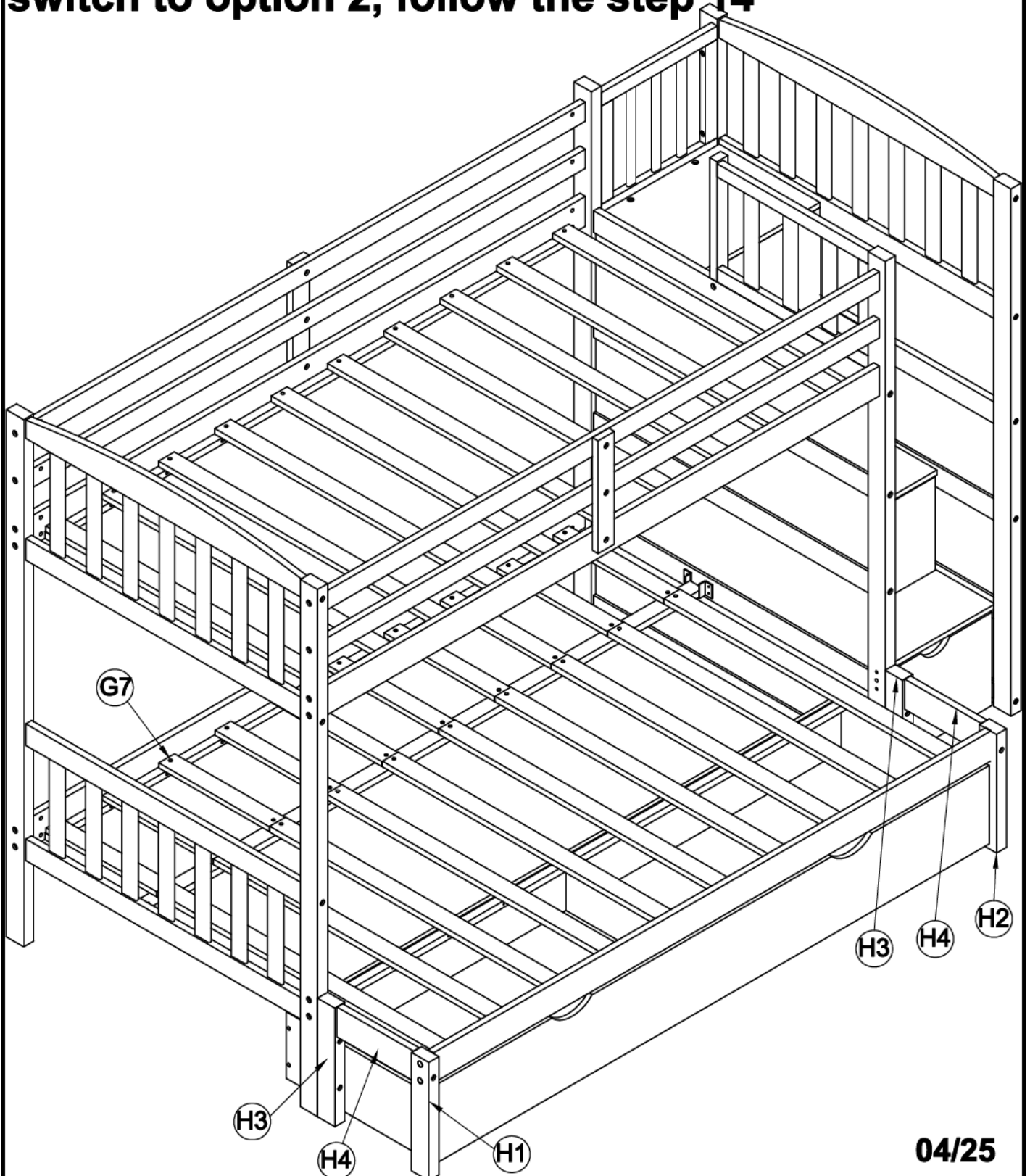


ASSEMBLY INSTRUCTION

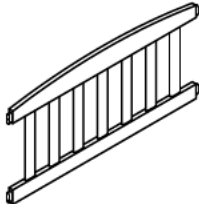
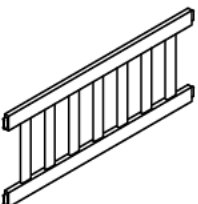
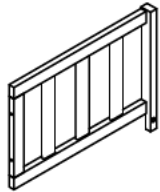
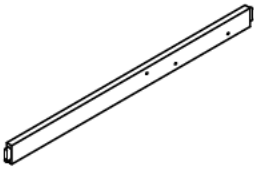
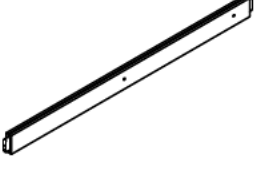
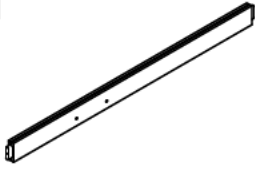
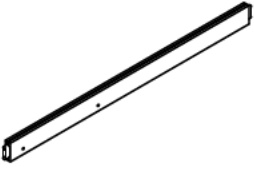
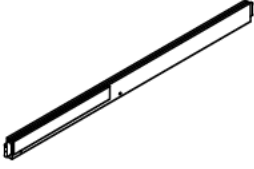
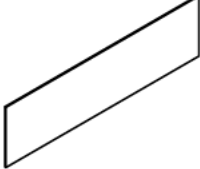
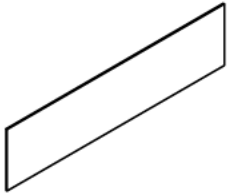
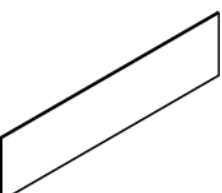
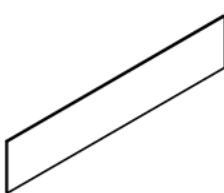
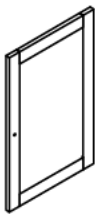
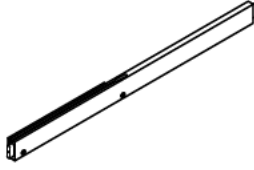




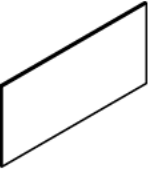
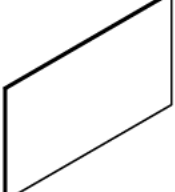
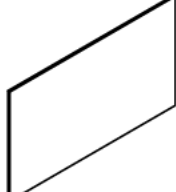
OPTION 2

BED

If you are on option 1, you want to switch to option 2, follow the step 14

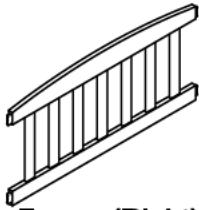


Part List(Box 1)

<p>A3</p>  <p>Side Frame - 1pcs</p>	<p>A4</p>  <p>Side Frame - 1pcs</p>	<p>B3</p>  <p>Side Frame (Center) - 1pcs</p>
<p>B4</p>  <p>Side Rail (Center) - 1pcs</p>	<p>B5</p>  <p>Side Rail (Center) - 1pcs</p>	<p>B6</p>  <p>Side Rail (Center) - 1pcs</p>
<p>B7</p>  <p>Side Rail (Center) - 1pcs</p>	<p>B8</p>  <p>Side Rail (Center) - 1pcs</p>	<p>B9</p>  <p>Side Panel (Center) - 1pcs</p>
<p>B10</p>  <p>Side Panel (Center) - 1pcs</p>	<p>B11</p>  <p>Side Panel (Center) - 1pcs</p>	<p>B12</p>  <p>Side Panel (Center) - 1pcs</p>
<p>C3</p>  <p>Door-1pcs</p>	<p>C4</p>  <p>Side Rail (Right) - 1pcs</p>	<p>C5</p>  <p>Side Rail (Right) - 1pcs</p>
<p>C6</p>  <p>Side Rail (Right) - 1pcs</p>	<p>C7</p>  <p>Side Rail (Right) - 1pcs</p>	<p>C8</p>  <p>Side Rail (Right) - 1pcs</p>
<p>C9</p>  <p>Side Panel (Right) - 1pcs</p>	<p>C10</p>  <p>Side Panel (Right) - 1pcs</p>	<p>C11</p>  <p>Side Panel (Right) - 1pcs</p>

Part List(Box 1)

C12



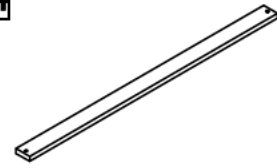
SideFrame (Right) - 1pcs

D1



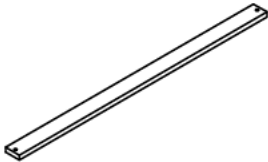
Back Frame- 1pcs

G4



Salat - 20pcs

G7



Short Salats -10pcs

H1



Front Leg(left)-1pcs

H2



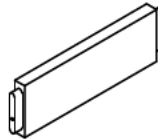
Front Leg(Right)-1pcs

H3









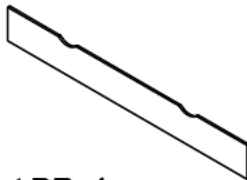
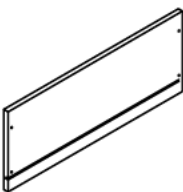
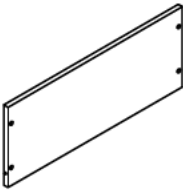
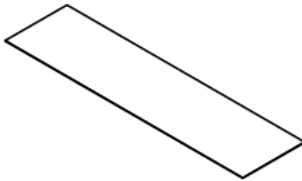
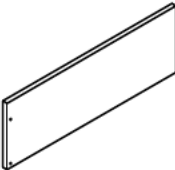
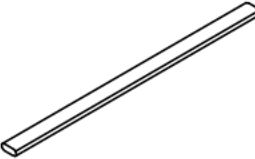
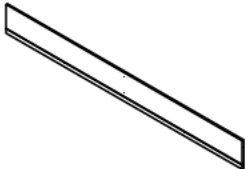





Back Leg-2pcs

H4


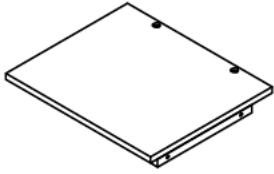
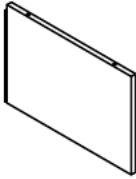
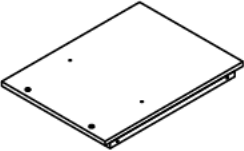
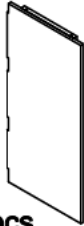
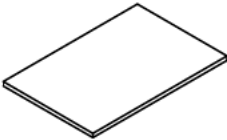
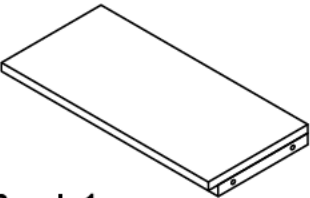
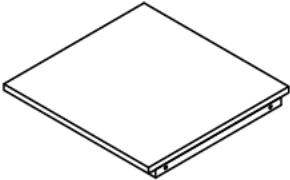
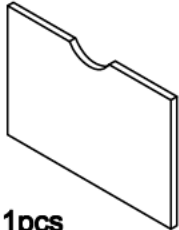
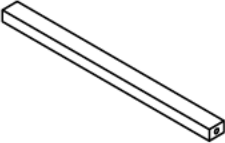
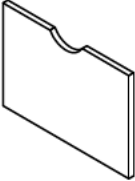
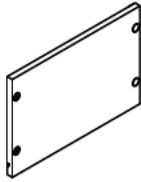
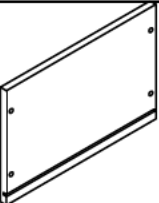
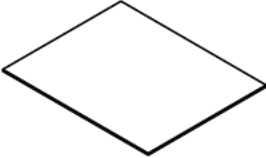

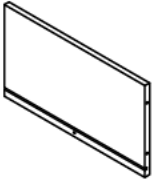


Side Rail-2pcs






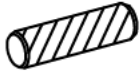






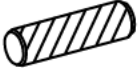



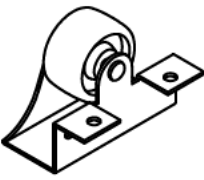


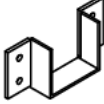
Part List(Box 2)

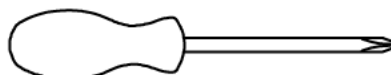
<p>A1</p>  <p>Front Leg (Left) - 1pcs</p>	<p>A2</p>  <p>Black Leg (Left) - 1pcs</p>	<p>B1</p>  <p>Front Leg (Center) - 1pcs</p>
<p>B2</p>  <p>Back Leg (Center) - 1pcs</p>	<p>C1</p>  <p>Front Leg (Right) - 1pcs</p>	<p>C2</p>  <p>Front Leg (Right) - 1pcs</p>
<p>F1</p>  <p>Front DR - 1pcs</p>	<p>F2</p>  <p>Side DR - 1pcs</p>	<p>F3</p>  <p>Side DR - 1pcs</p>
<p>F4</p>  <p>Bottom DR - 2pcs</p>	<p>F5</p>  <p>Center DR - 1pcs</p>	<p>F6</p>  <p>Bottom DR - 3pcs</p>
<p>F7</p>  <p>Back DR - 1pcs</p>	<p>G1</p>  <p>Rail - 4pcs</p>	<p>G2</p>  <p>Rail - 2pcs</p>
<p>G3</p>  <p>Rail - 2pcs</p>	<p>G5</p>  <p>Rail - 2pcs</p>	<p>G6</p>  <p>Bottom Support Salats - 1pcs</p>

Part List(Box 3)

D2  Back Frame- 1pcs	D3  Panel- 1pcs	D4  Panel- 1pcs
D5  Panel- 1pcs	D6  Panel- 1pcs	D7  Panel- 1pcs
D8  Panel- 1pcs	D9  Panel- 1pcs	D10  Panel- 1pcs
D11  Front Rail -2pcs	E1  Front DR -1pcs	E2  Side DR -1pcs
E3  Side DR -1pcs	E4  Bottom DR -1pcs	E5  Bottom DR -1pcs
E6  Back DR -1pcs		

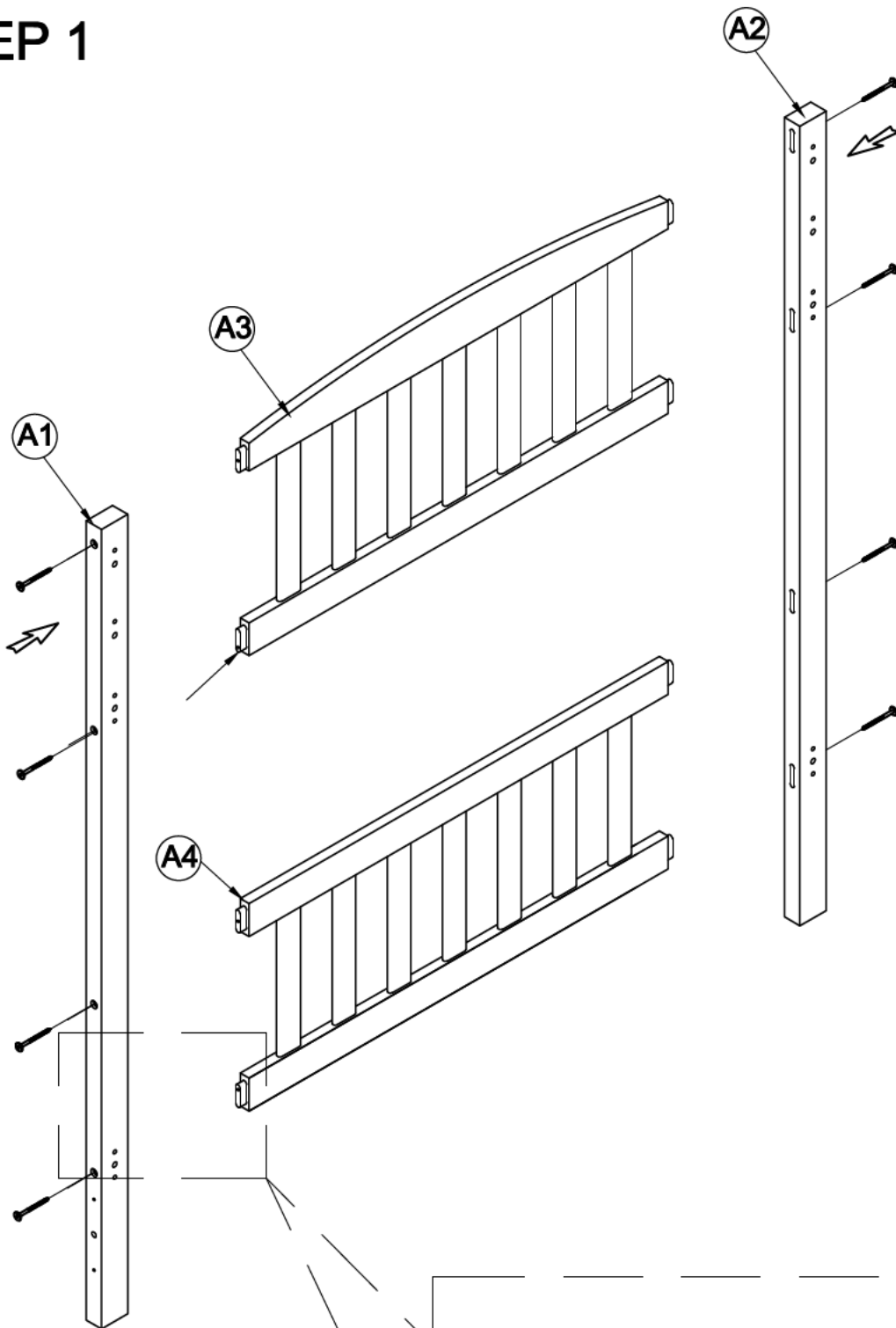
Hardware List


<p>1</p>  <p>Screws 1/4" x80 (34pcs)</p>	<p>1.1</p>  <p>Screws 1/4" x100 (4pcs)</p>	<p>2</p>  <p>Ø1/4" x 25 mm Hex-Head bolts 7pcs</p>
<p>2.1</p>  <p>Ø1/4" x 50 mm Hex-Head bolts 6pcs</p>	<p>3</p>  <p>Ø1/4" x 15 mm Canopy head through - 7pcs</p>	<p>4</p>  <p>Ø10 x 40 mm Wood dowel 18pcs</p>
<p>5</p>  <p>Ø1/4" x 80 mm Hex-Head bolts 8pcs</p>	<p>5.1</p>  <p>Ø1/4" x 100 mm Hex-Head bolts 16pcs</p>	<p>6</p>  <p>Ø1/4" x 13 mm Horizontal-Hole bolts 24pcs</p>
<p>7</p>  <p>M4 x 30 mm Wood Screws 88pcs</p>	<p>8</p>  <p>Rail - 2pcs</p>	<p>9</p>  <p>Ø1/4" x 30 mm Hex-Head bolts 32pcs</p>
<p>10</p>  <p>Ø8 x 30 mm Wood dowel 8pcs</p>	<p>11</p>  <p>Ø1/6" x 25 mm Hex-Head bolts 1pcs</p>	<p>12</p>  <p>Handle Wood 1pcs</p>
<p>13</p>  <p>M3 x 12 mm Wood Screws 24pcs</p>	<p>14</p>  <p>Wheels 4pcs</p>	<p>15</p>  <p>Allen Key 1pc</p>
<p>16</p>  <p>M4 x 20 mm Wood Screws 8pcs</p>	<p>17</p>  <p>Bracket Steel 2pcs</p>	

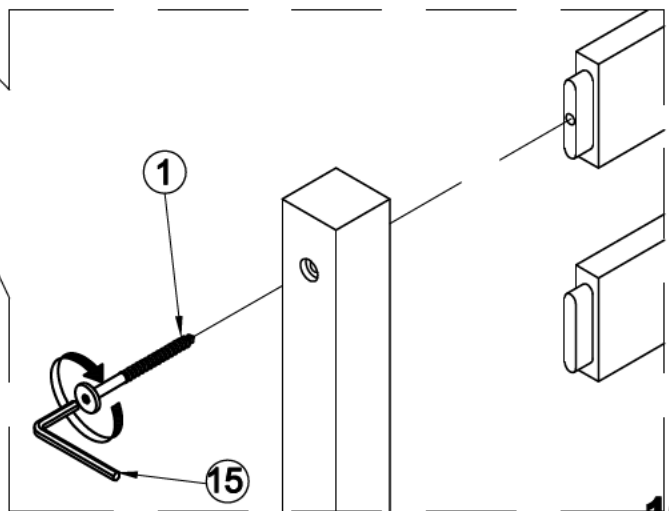


Assembly Tools Required (Not Included)

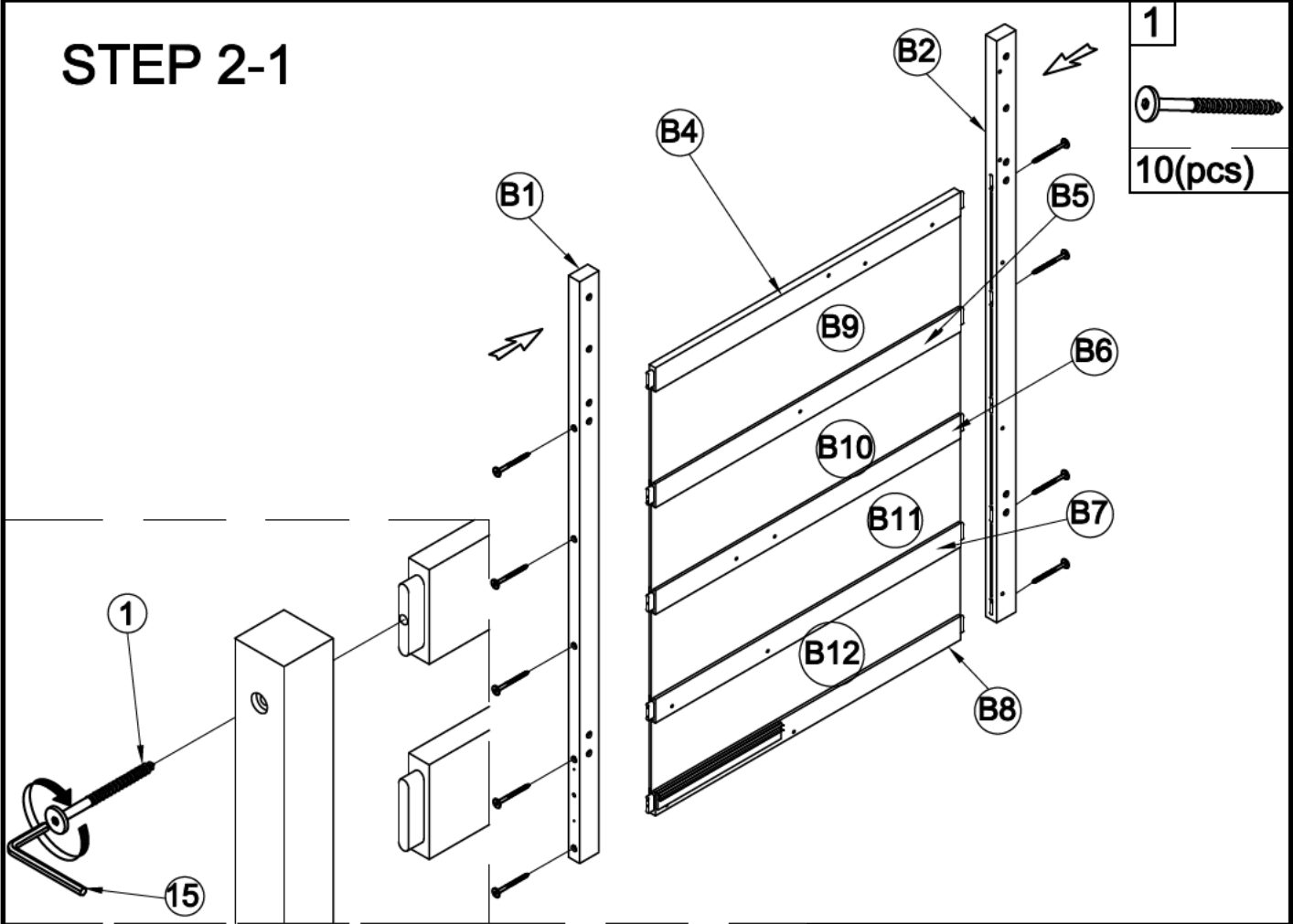
STEP 1



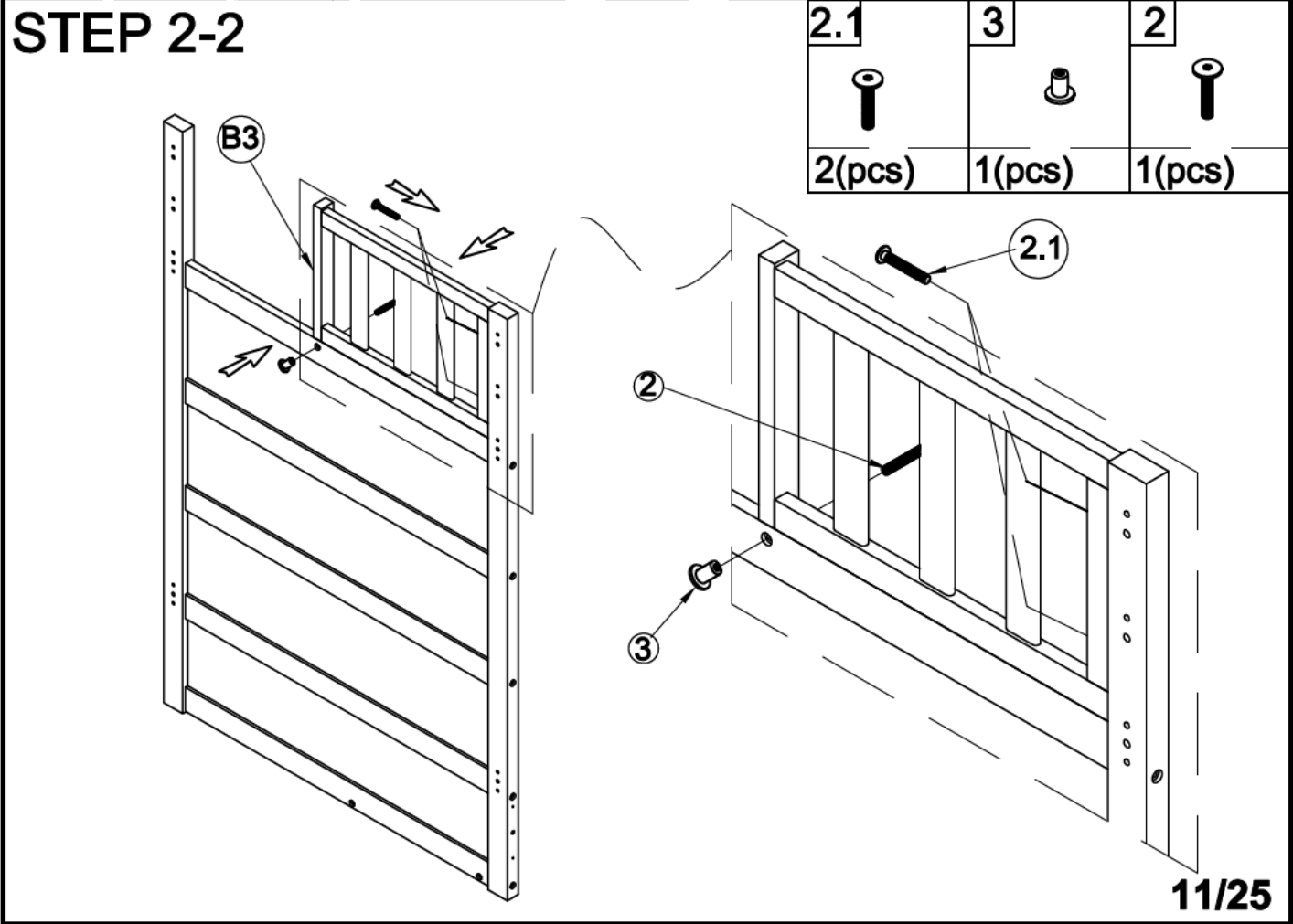
1

4x2(pcs)



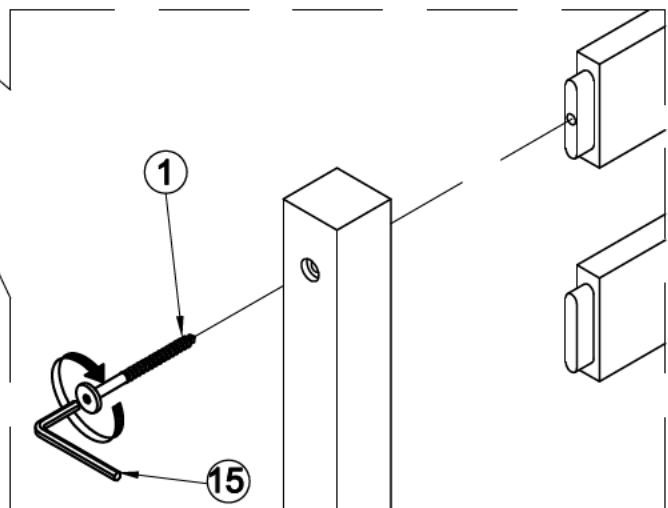
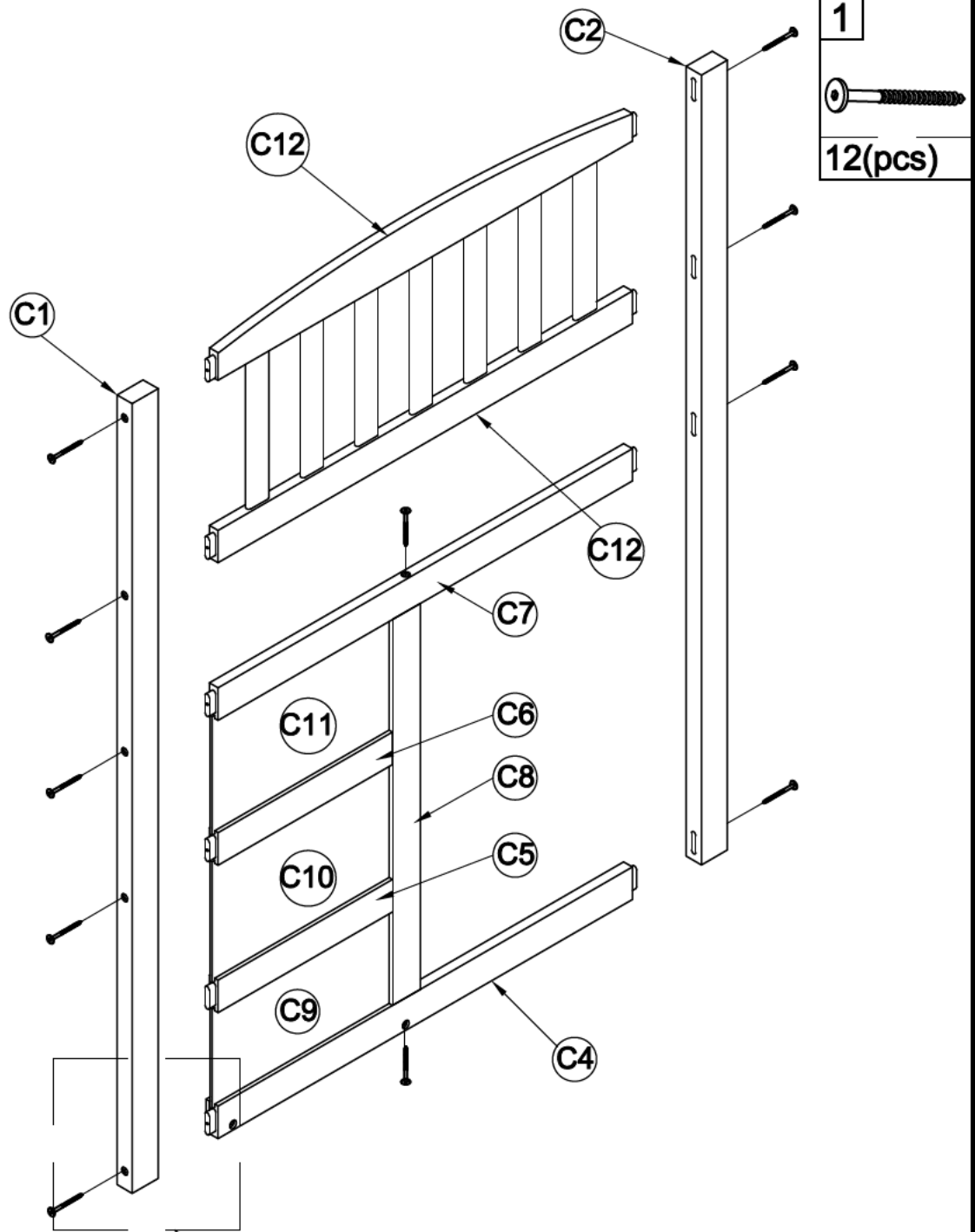
STEP 2-1



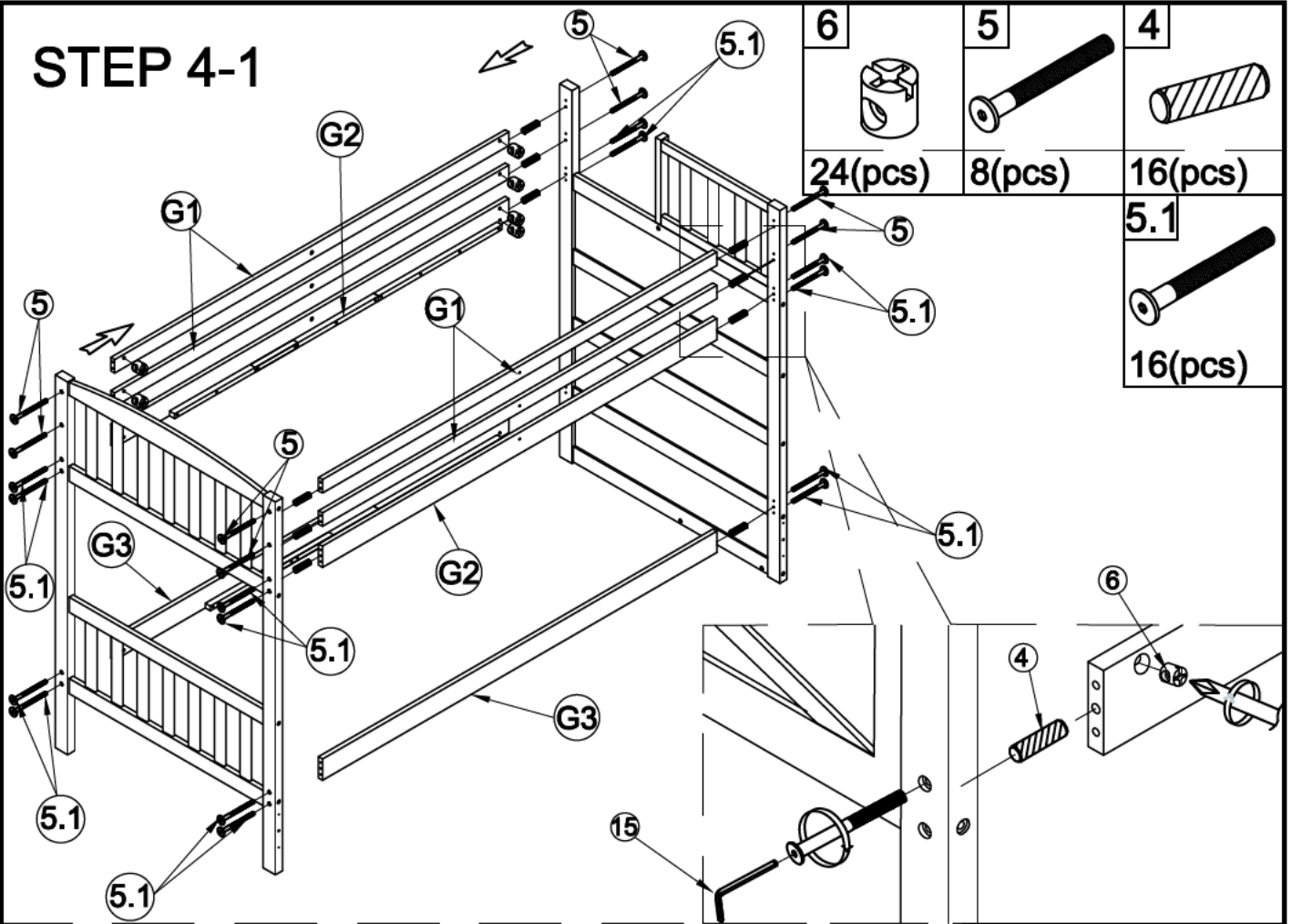
STEP 2-2



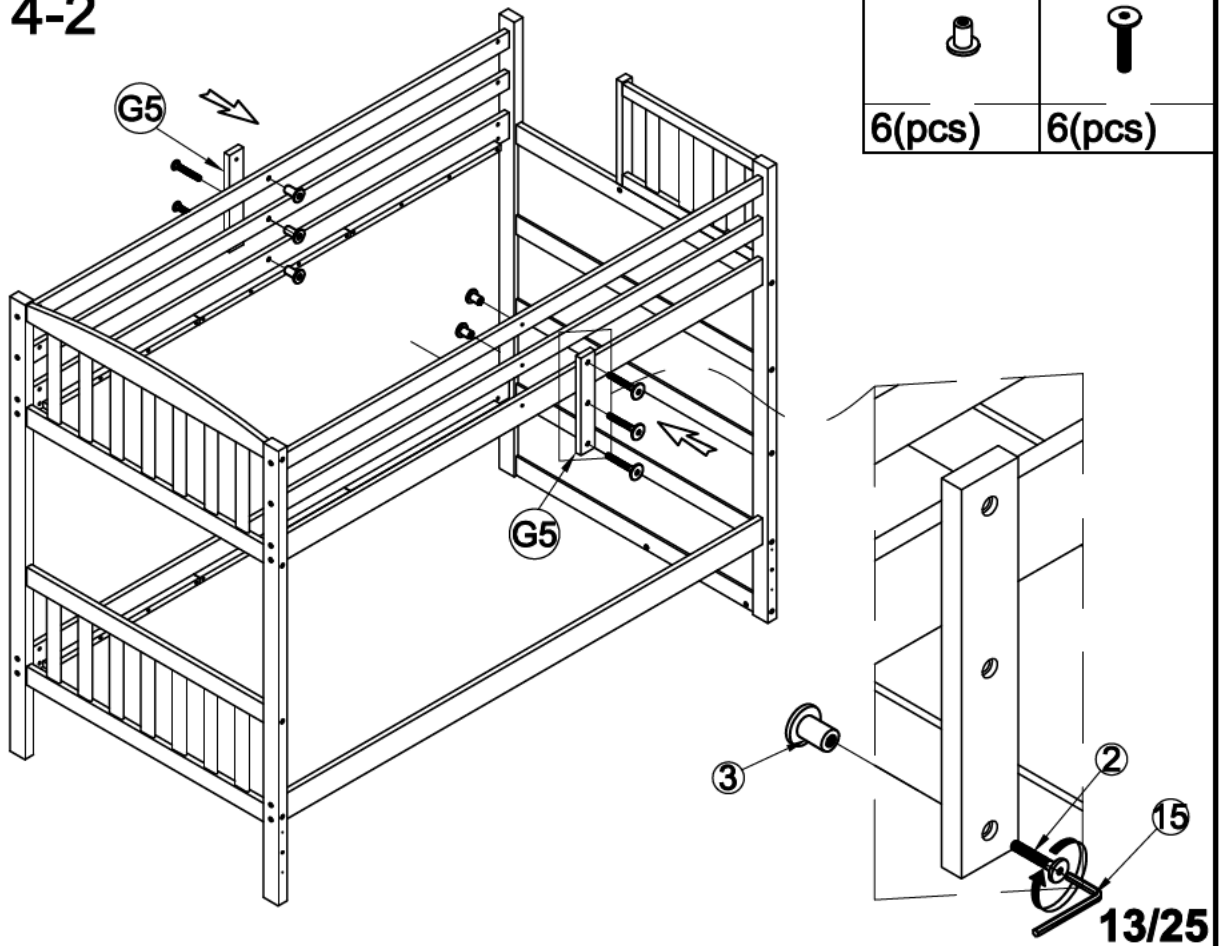
STEP 3



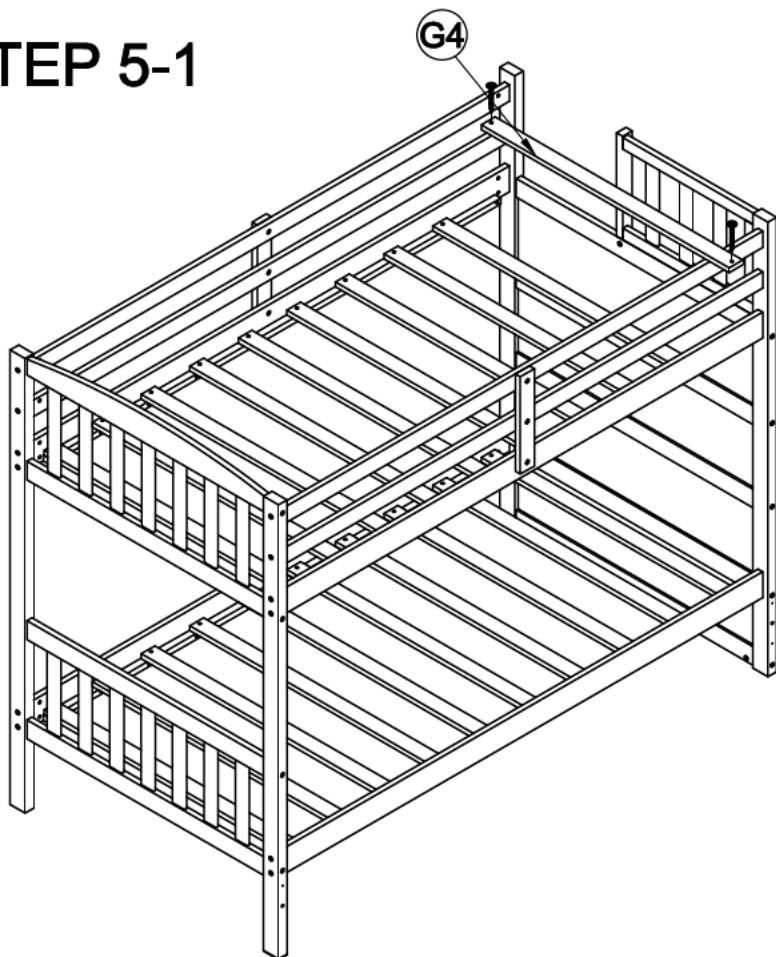
STEP 4-1



STEP 4-2



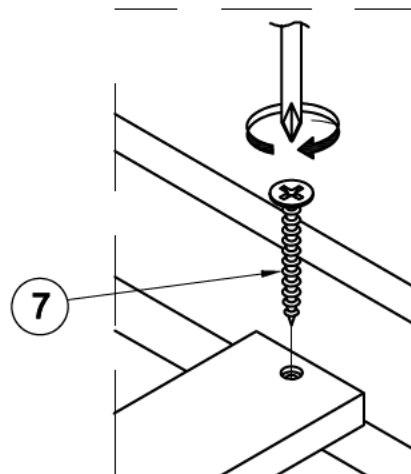
STEP 5-1



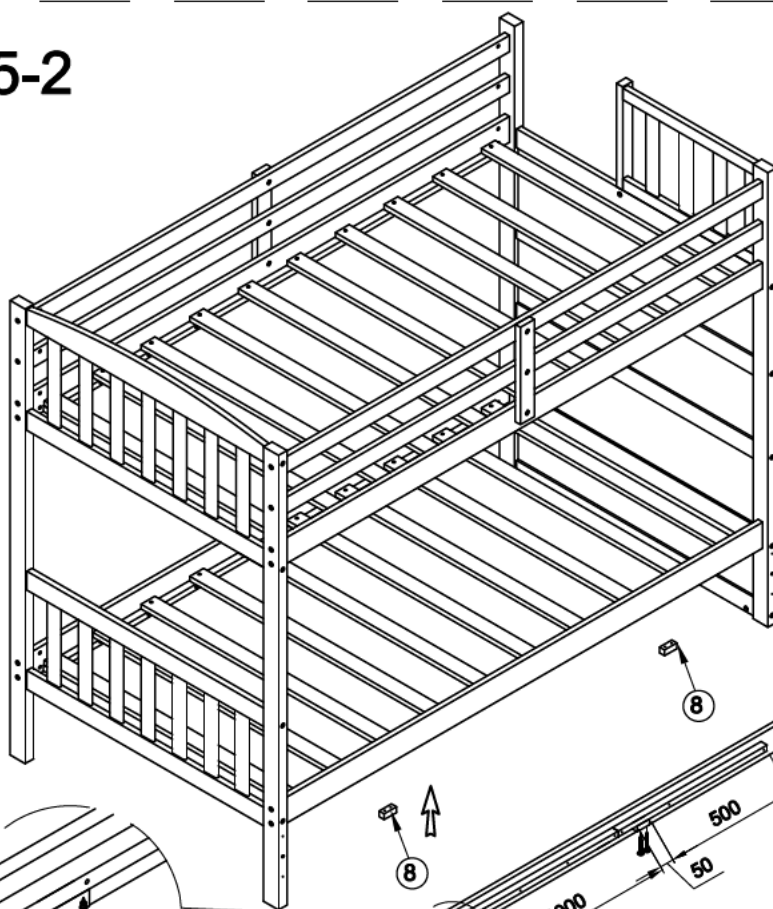
7



40(pcs)



STEP 5-2



8

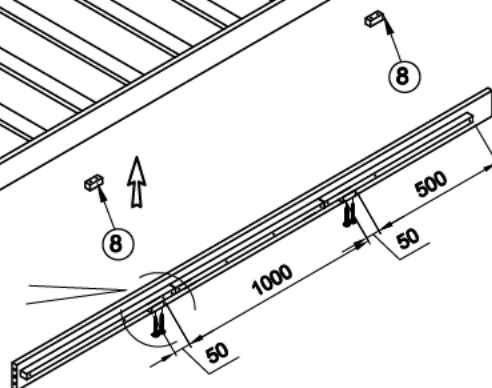
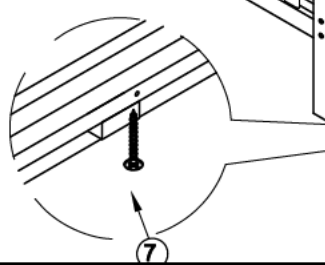


2(pcs)

7

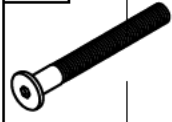


4(pcs)



STEP 6

2.1

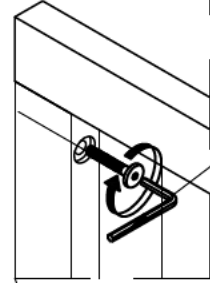
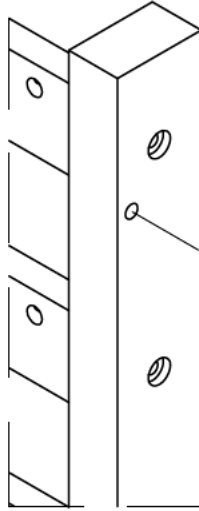


2(pcs)

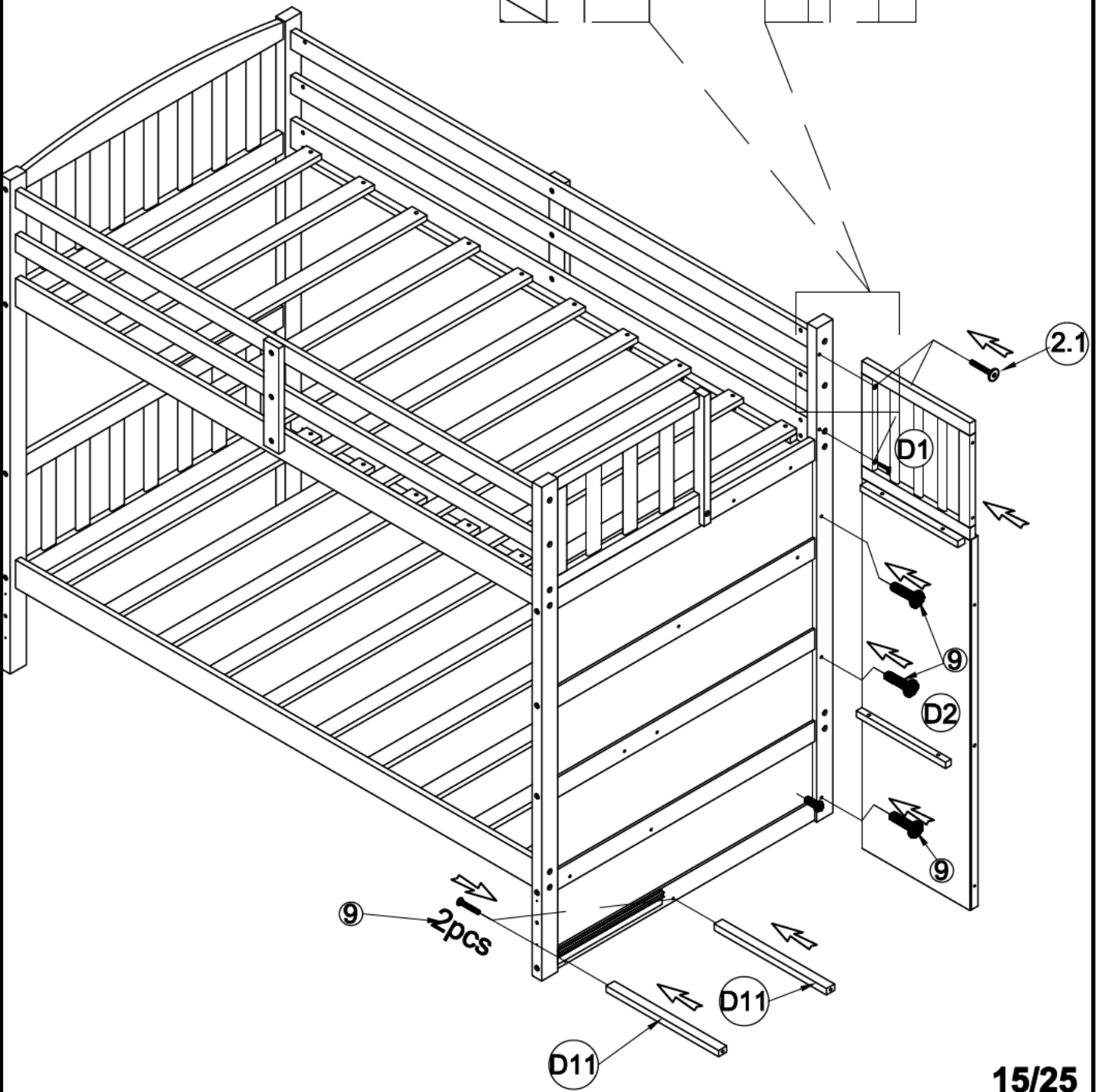
9





5(pcs)

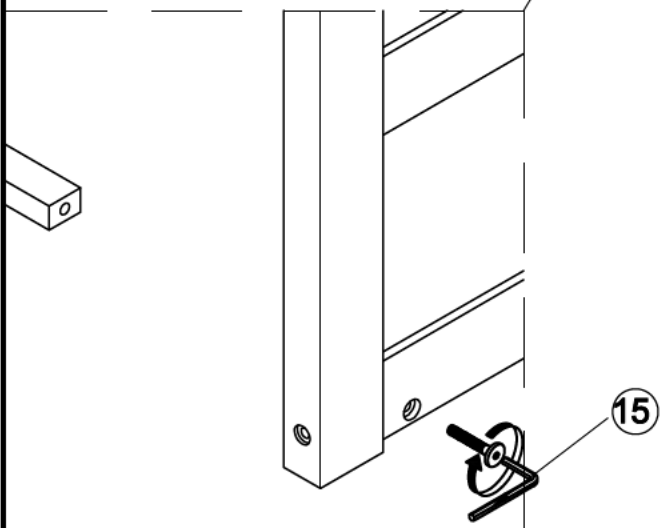
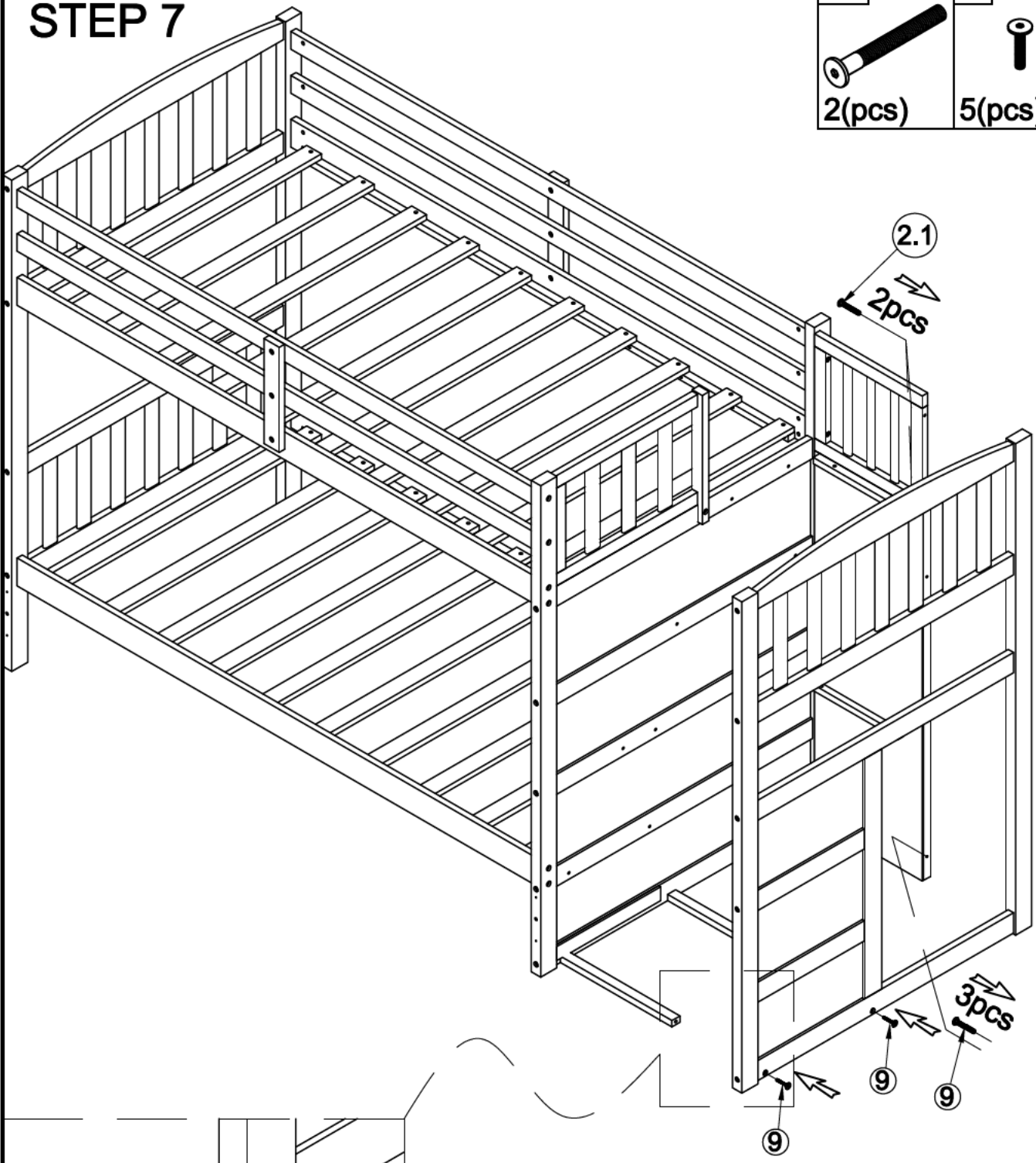


15

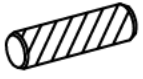



STEP 7

2.1	9
	
2(pcs)	5(pcs)



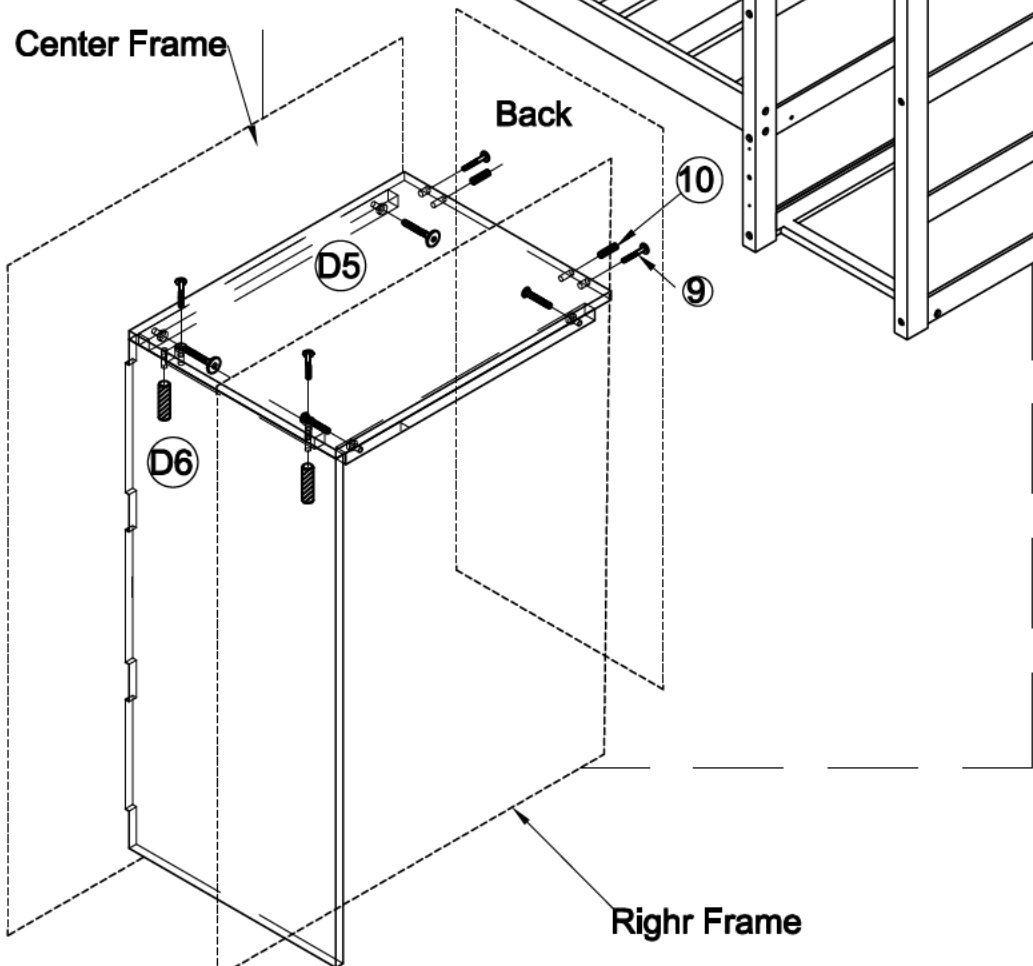
STEP 8

10	9
	
4(pcs)	8(pcs)

Center Frame

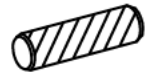
Back

Right Frame



STEP 9

10

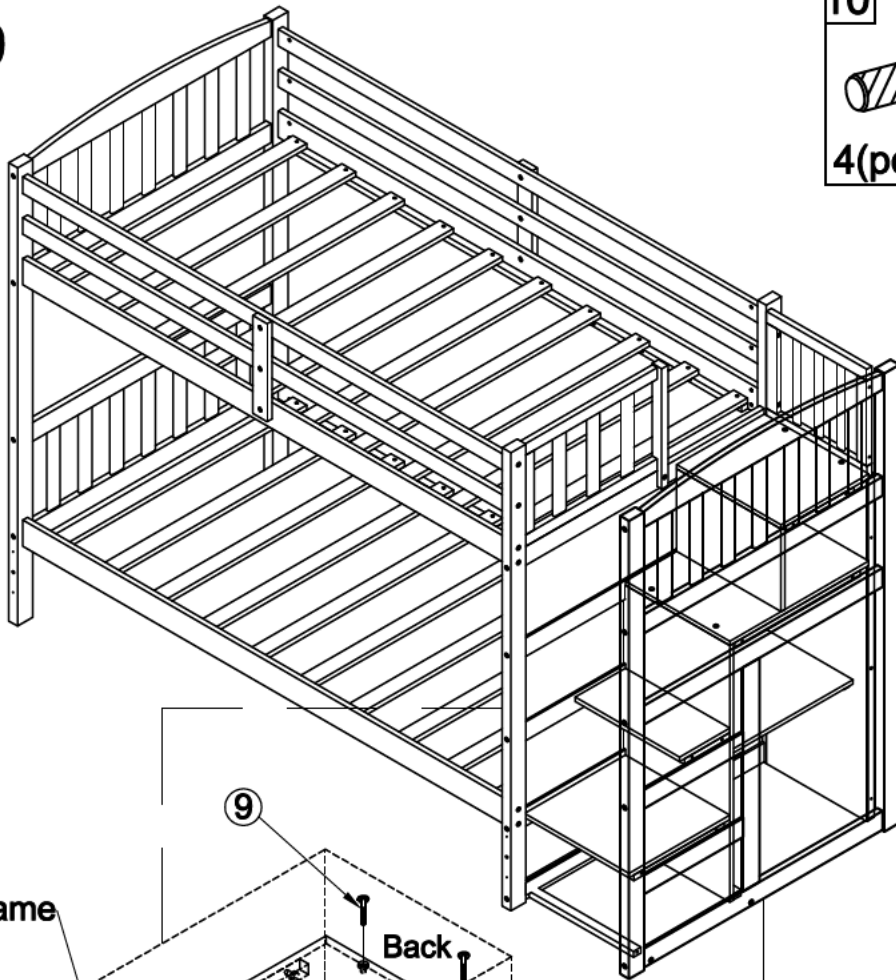


4(pcs)

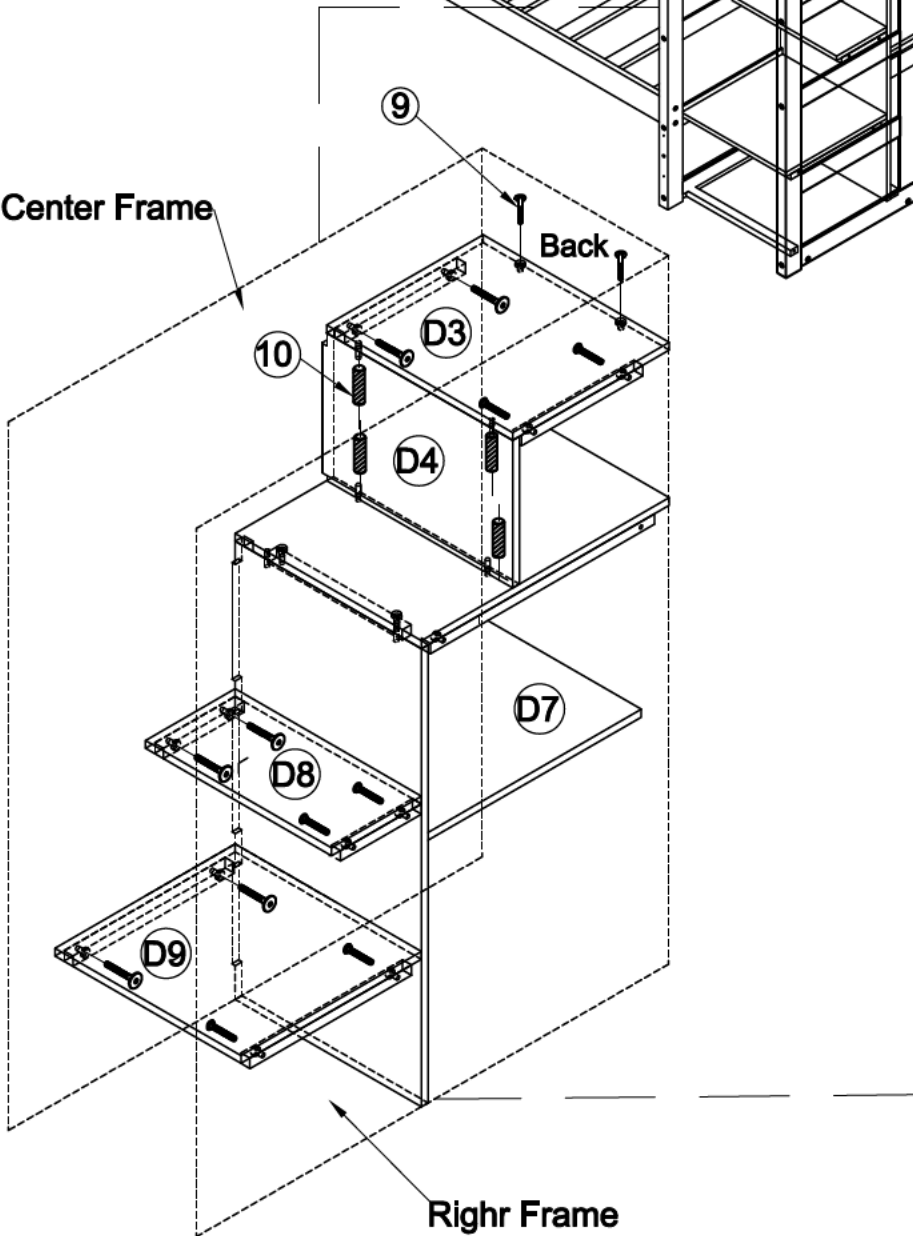
9



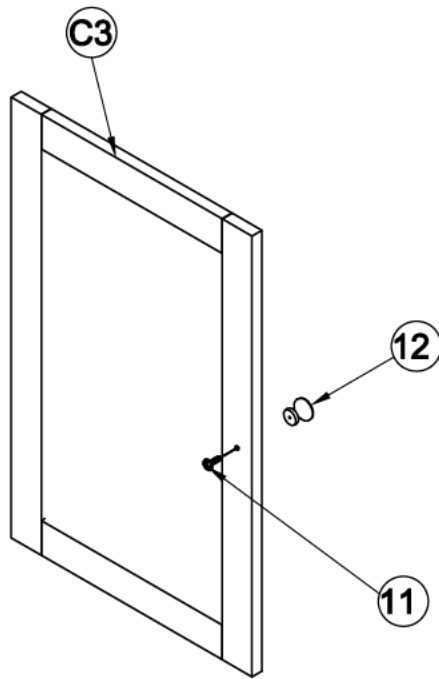
14(pcs)





Center Frame



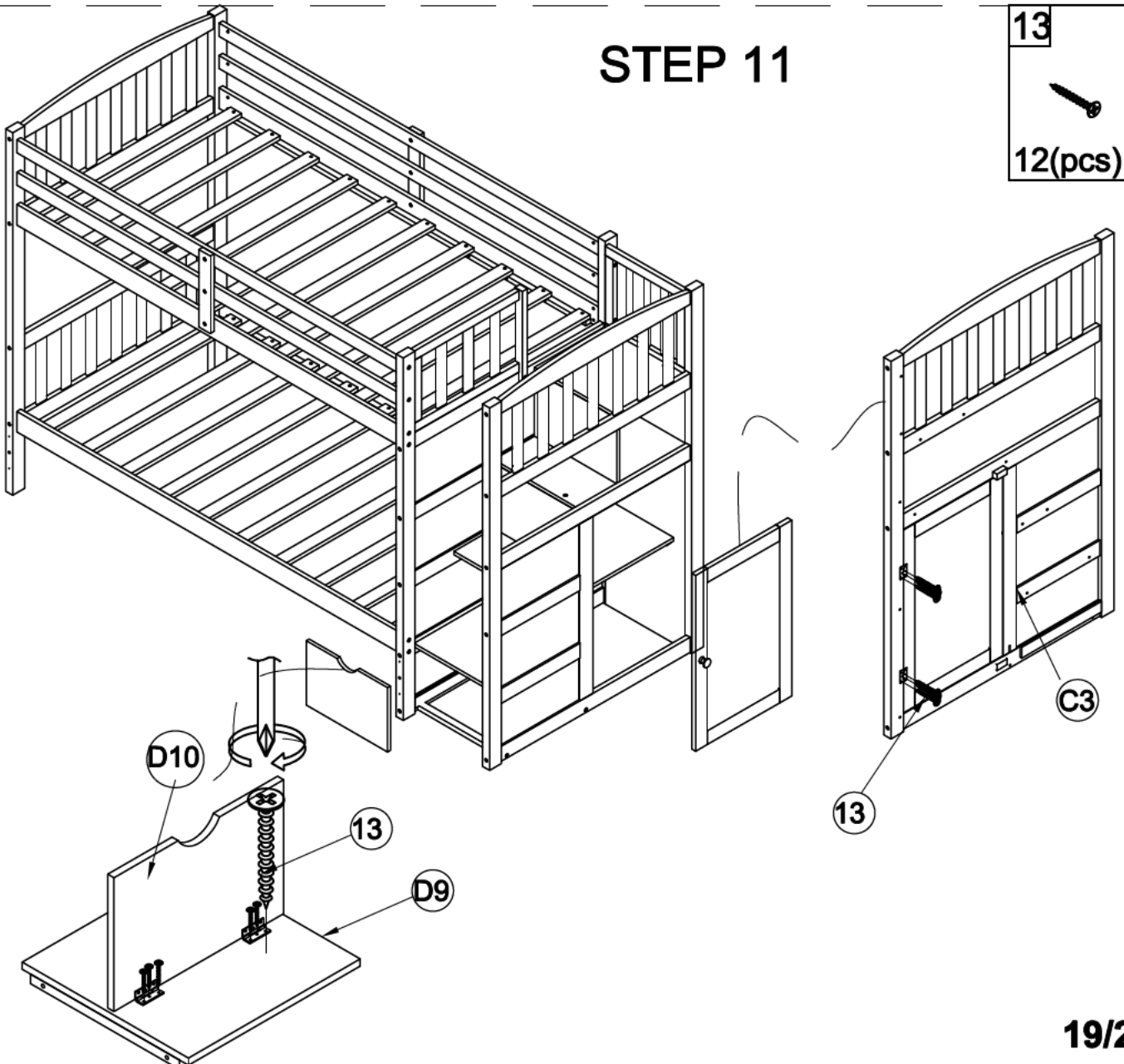
STEP 10




12

1(pcs)

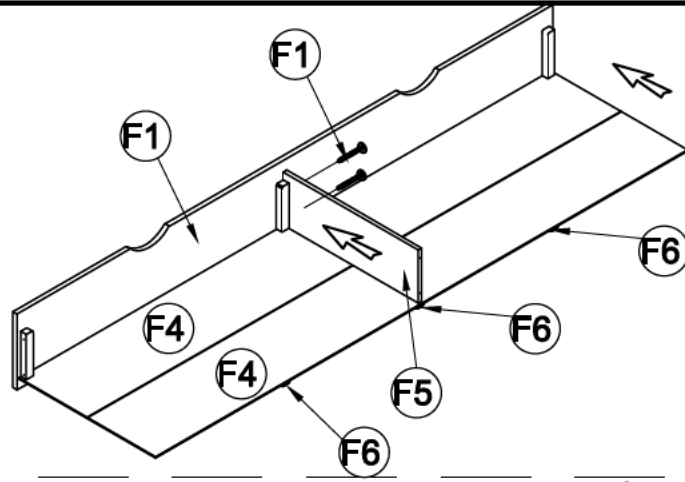
11

1(pcs)

STEP 11



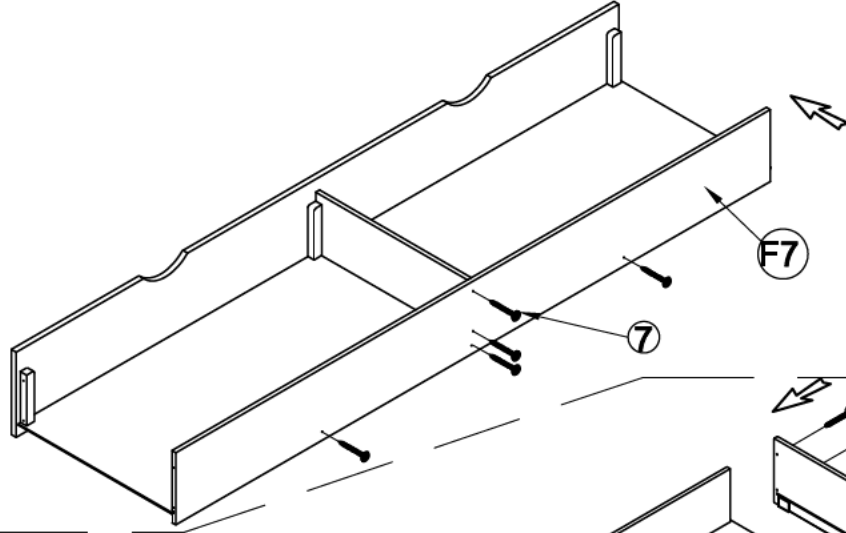
13

12(pcs)


STEP 12-1



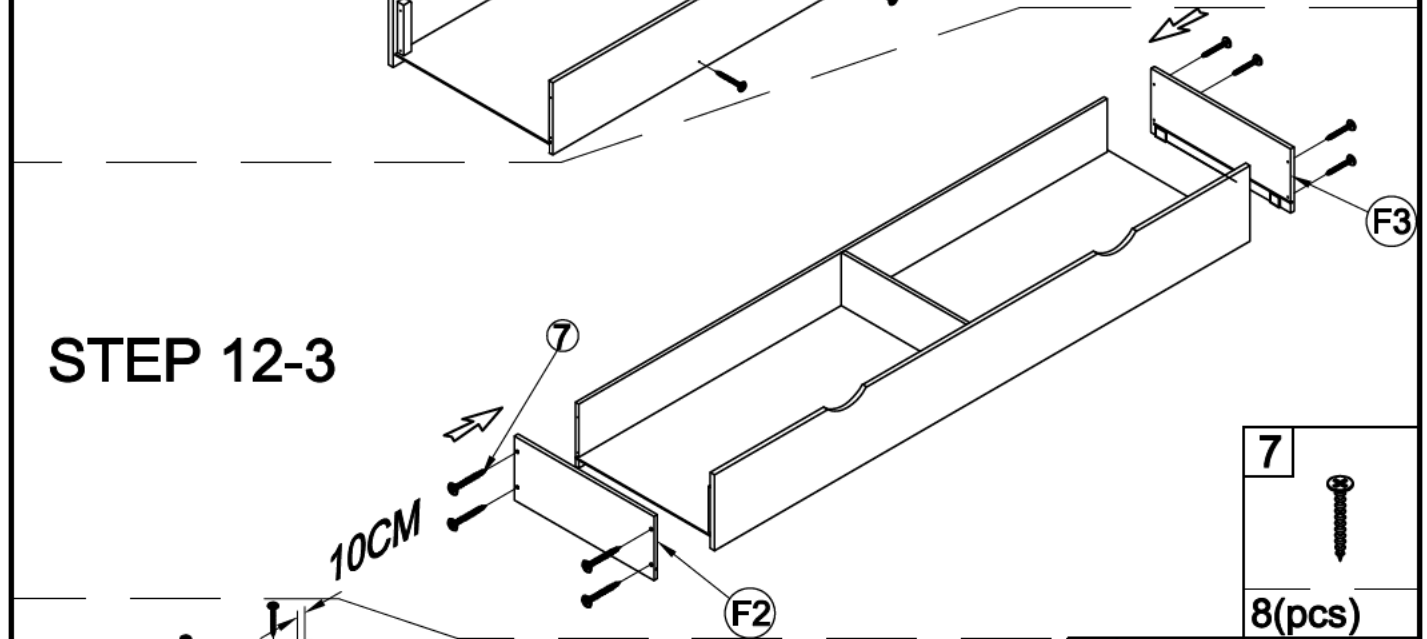
7	
2(pcs)	


STEP 12-2



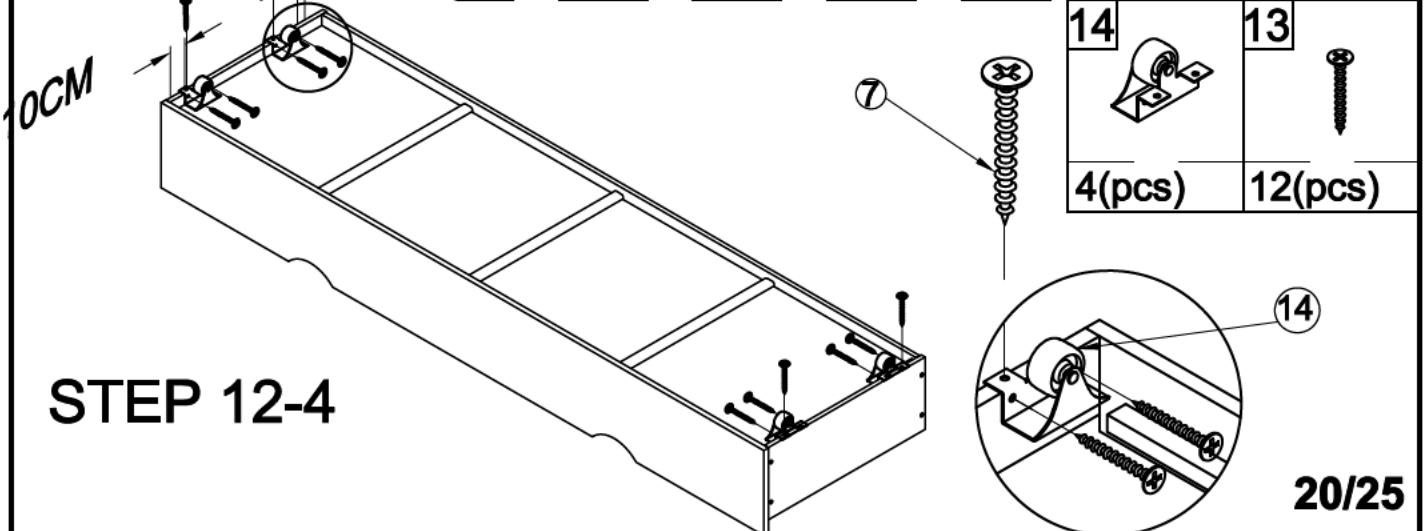
7	
5(pcs)	


STEP 12-3




7	
8(pcs)	

STEP 12-4



14	
4(pcs)	

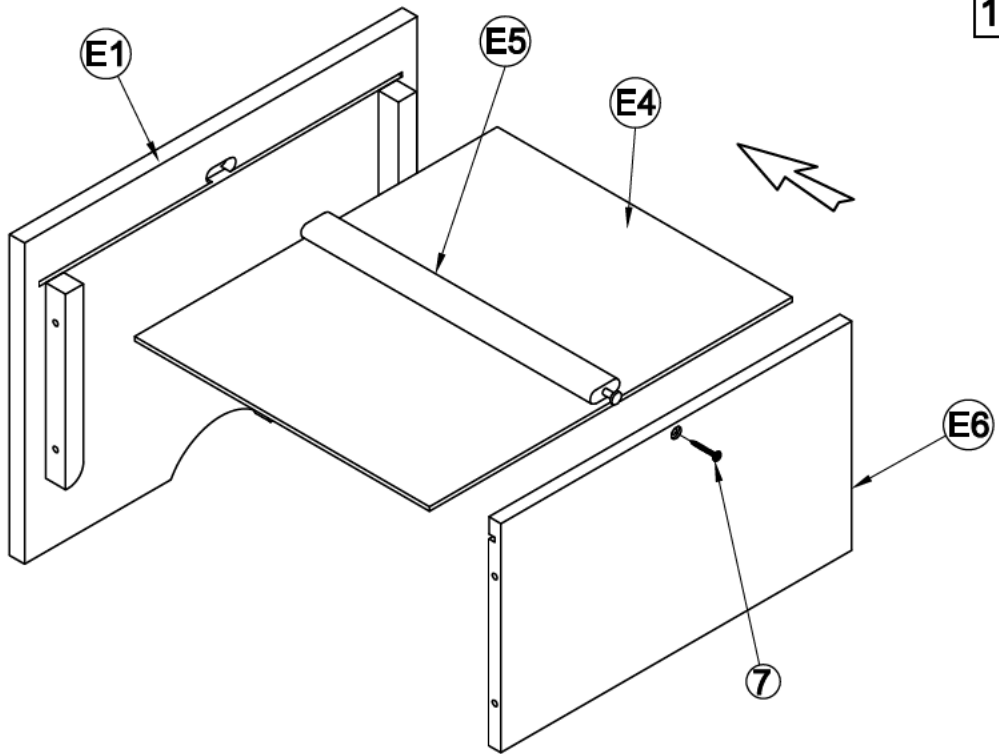
13	
12(pcs)	

STEP 13-1

7



1(pcs)

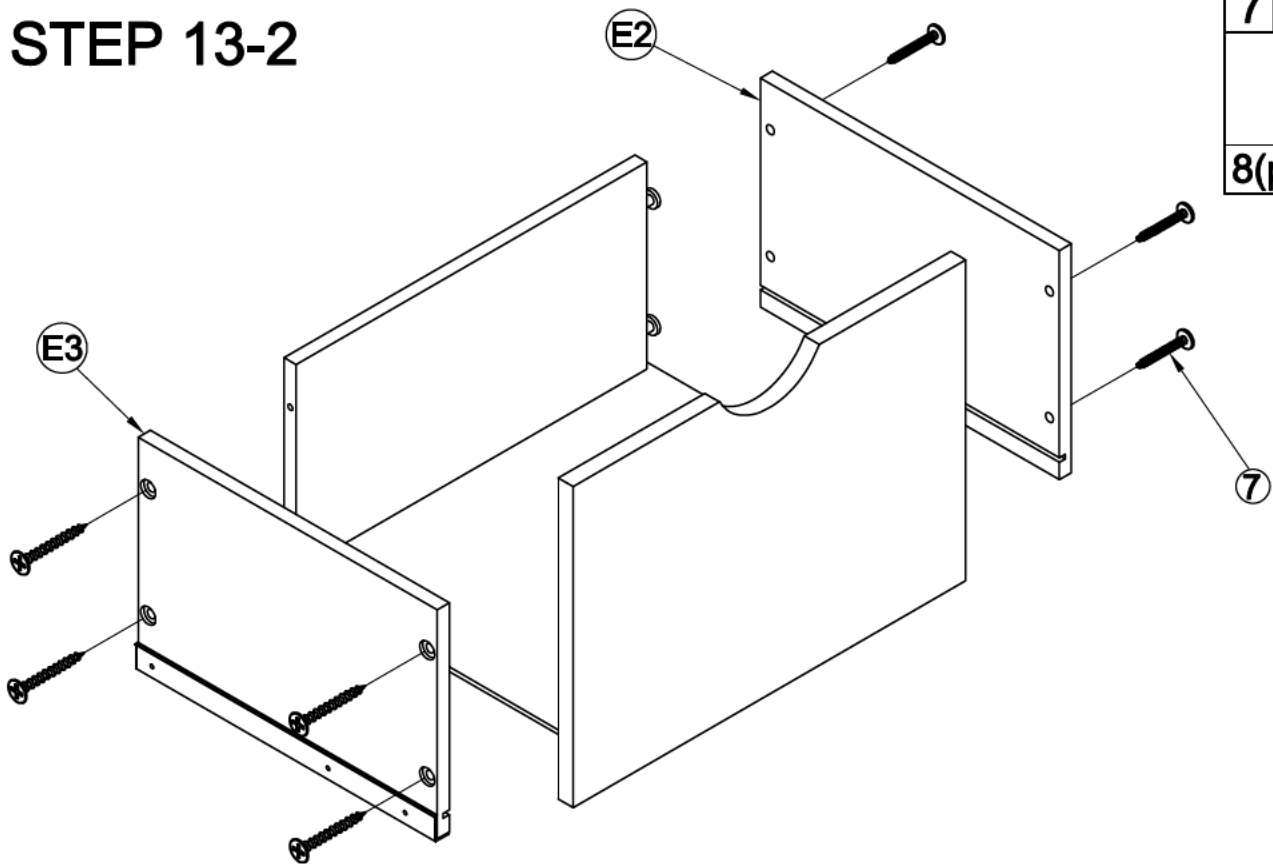


STEP 13-2

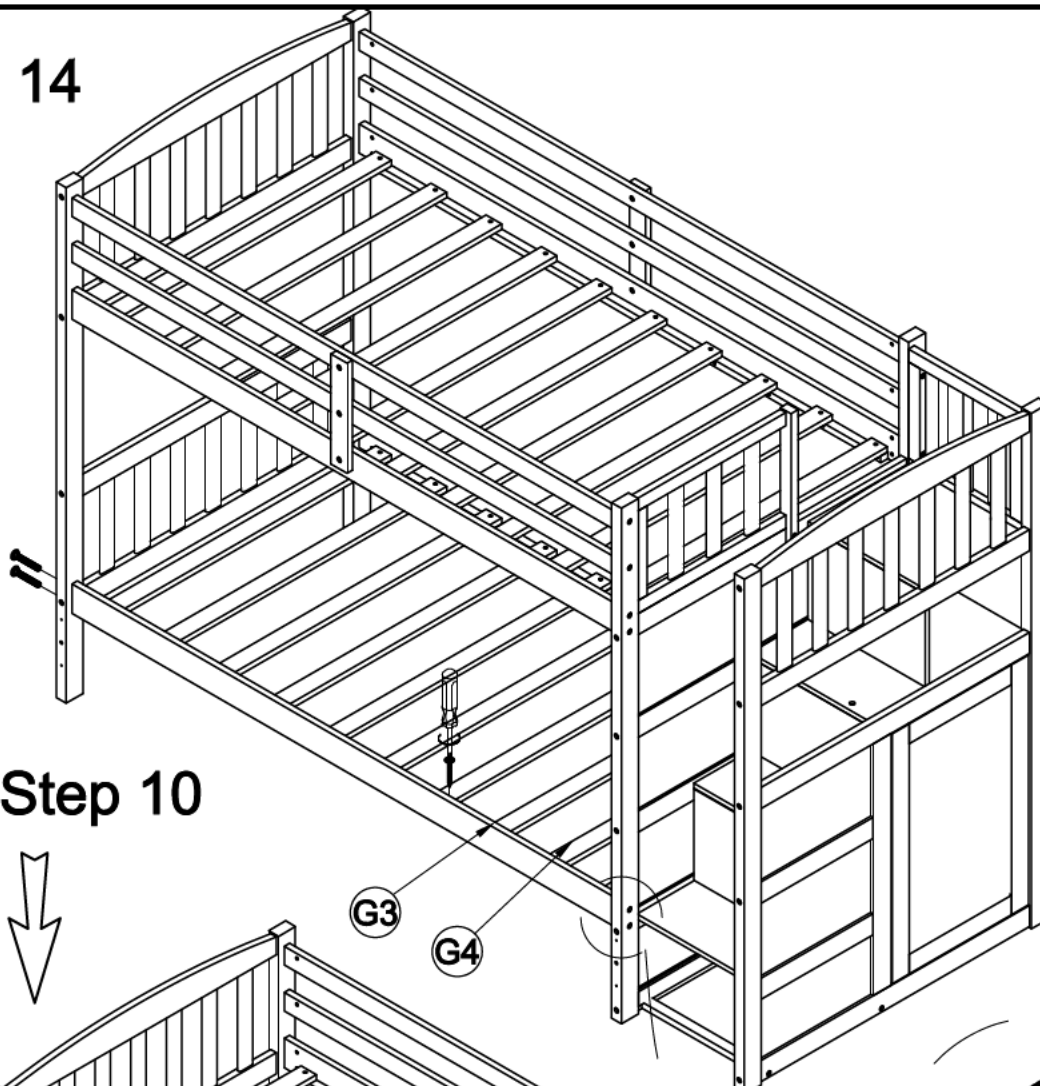
7



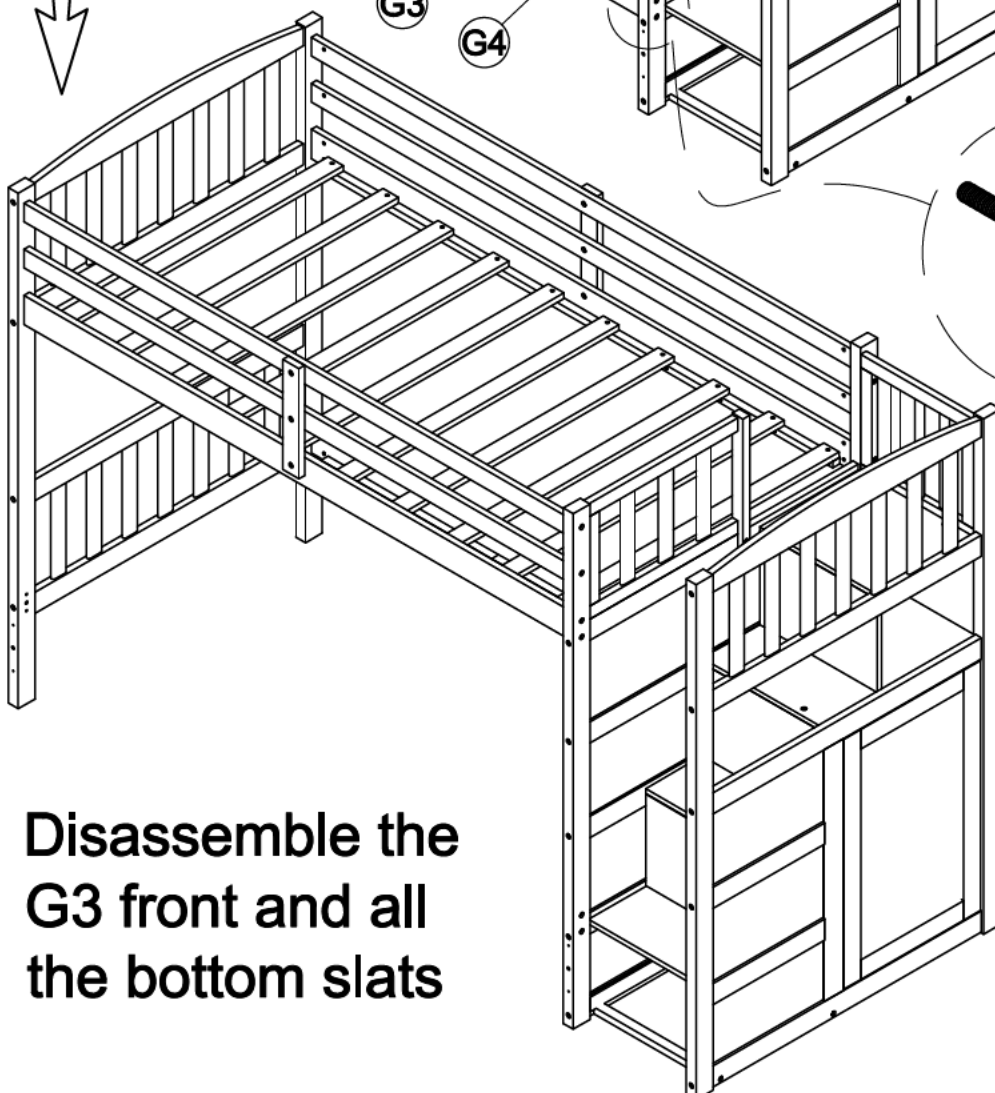
8(pcs)



STEP 14

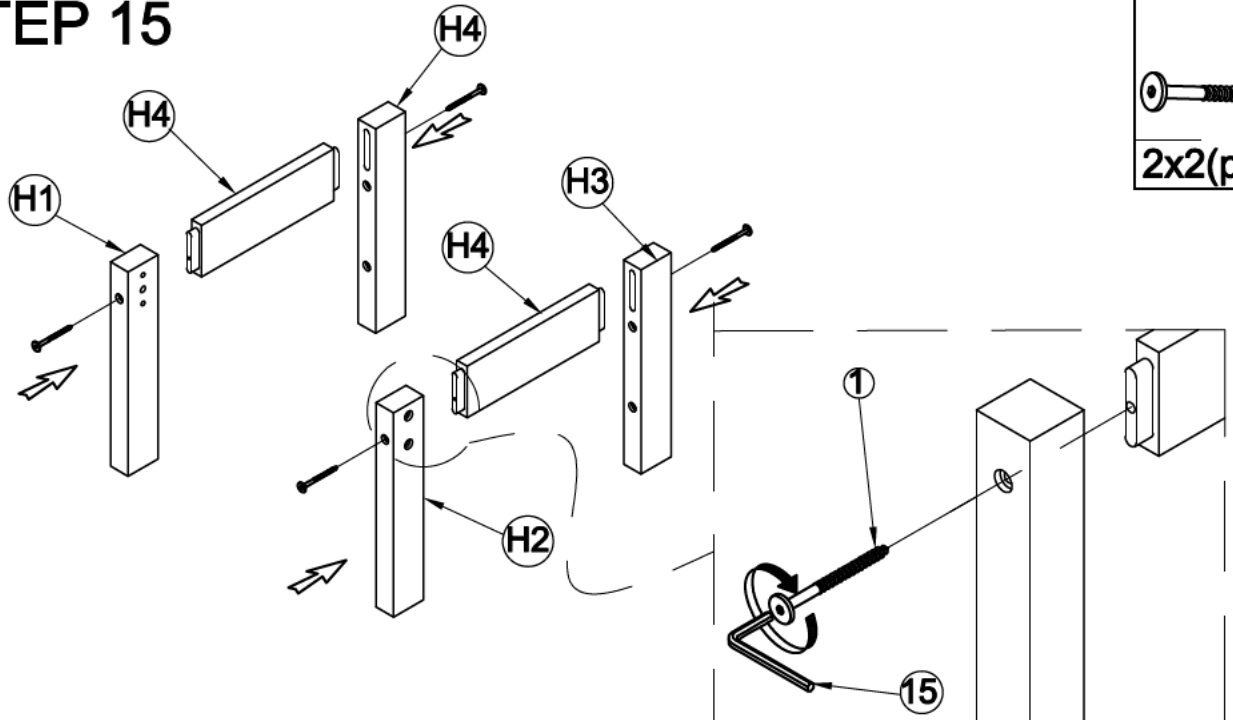



Finish Step 10



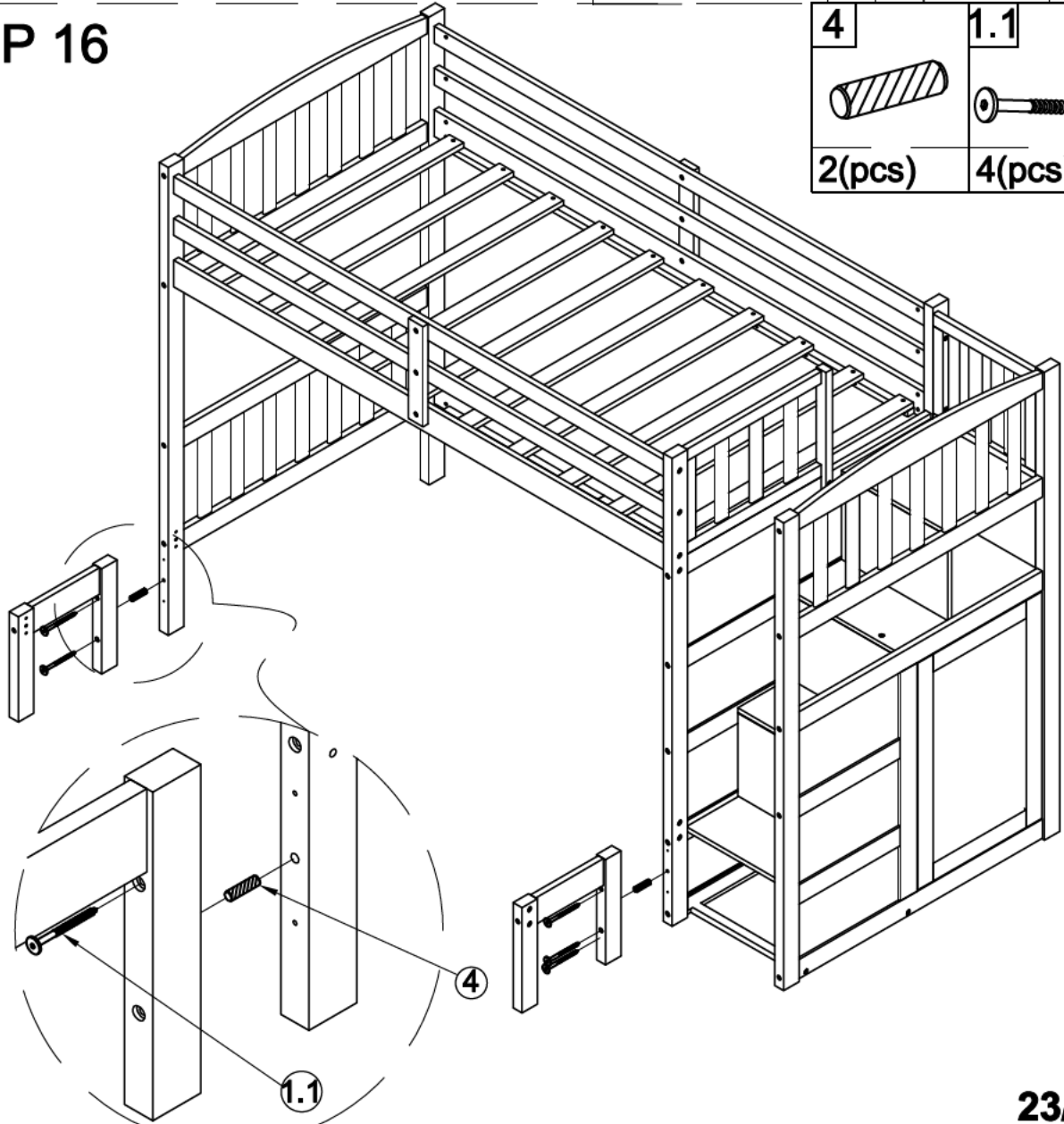
Disassemble the G3 front and all the bottom slats

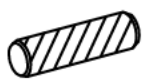

STEP 15



1

2x2(pcs)

STEP 16



4	1.1
	
2(pcs)	4(pcs)

STEP 17

6



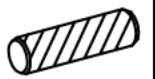
4(pcs)

5.1

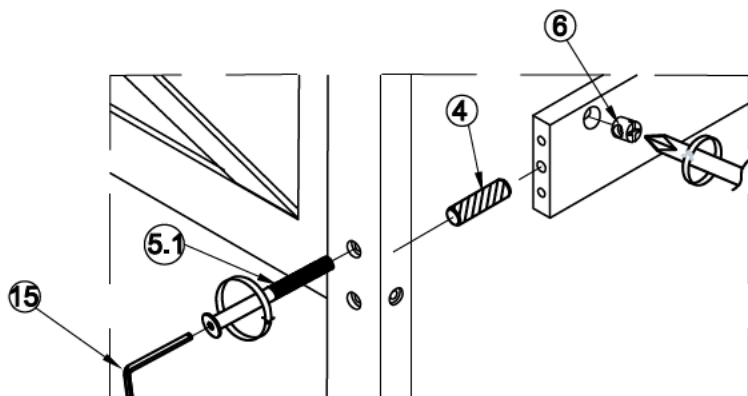
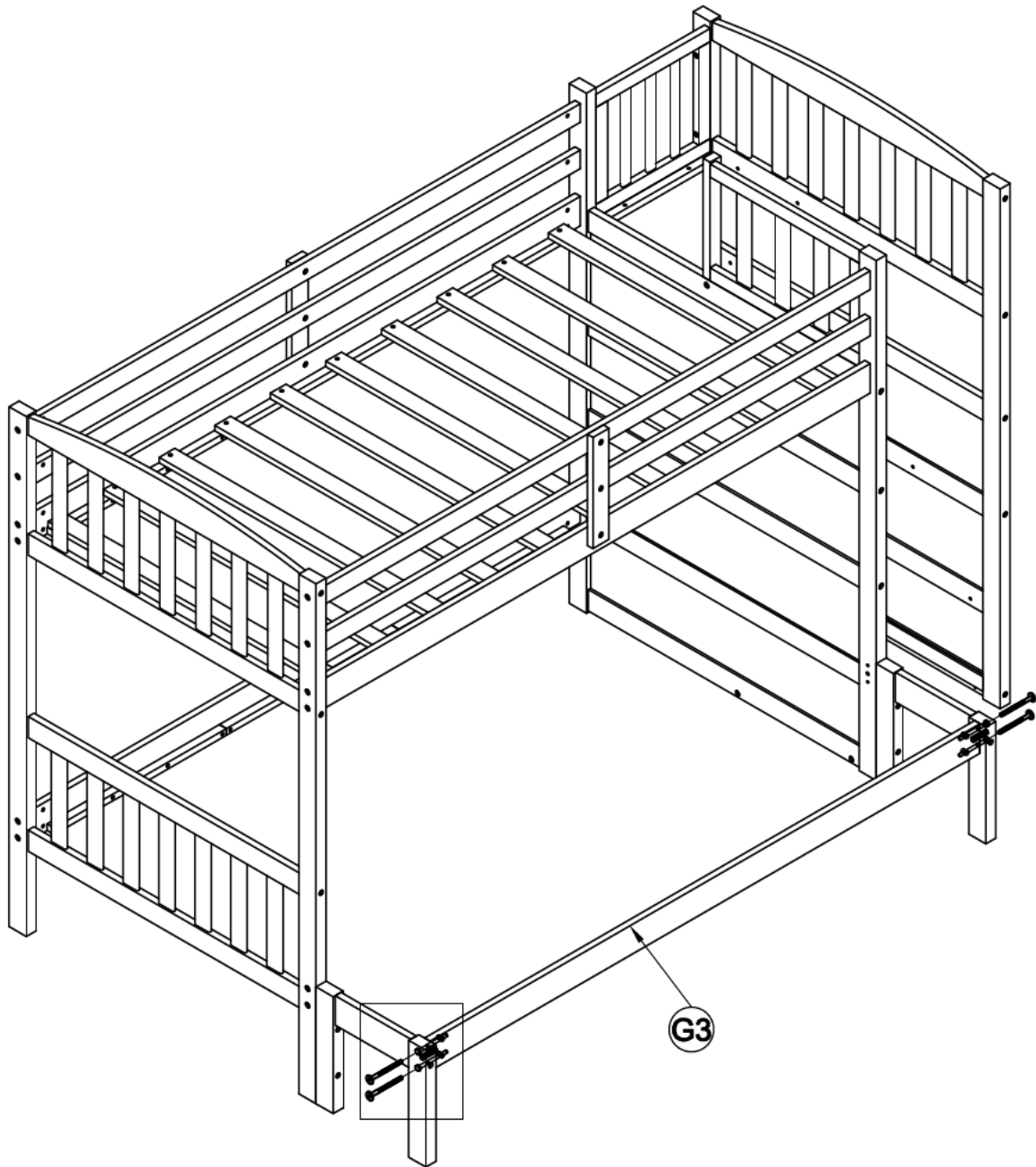


4(pcs)

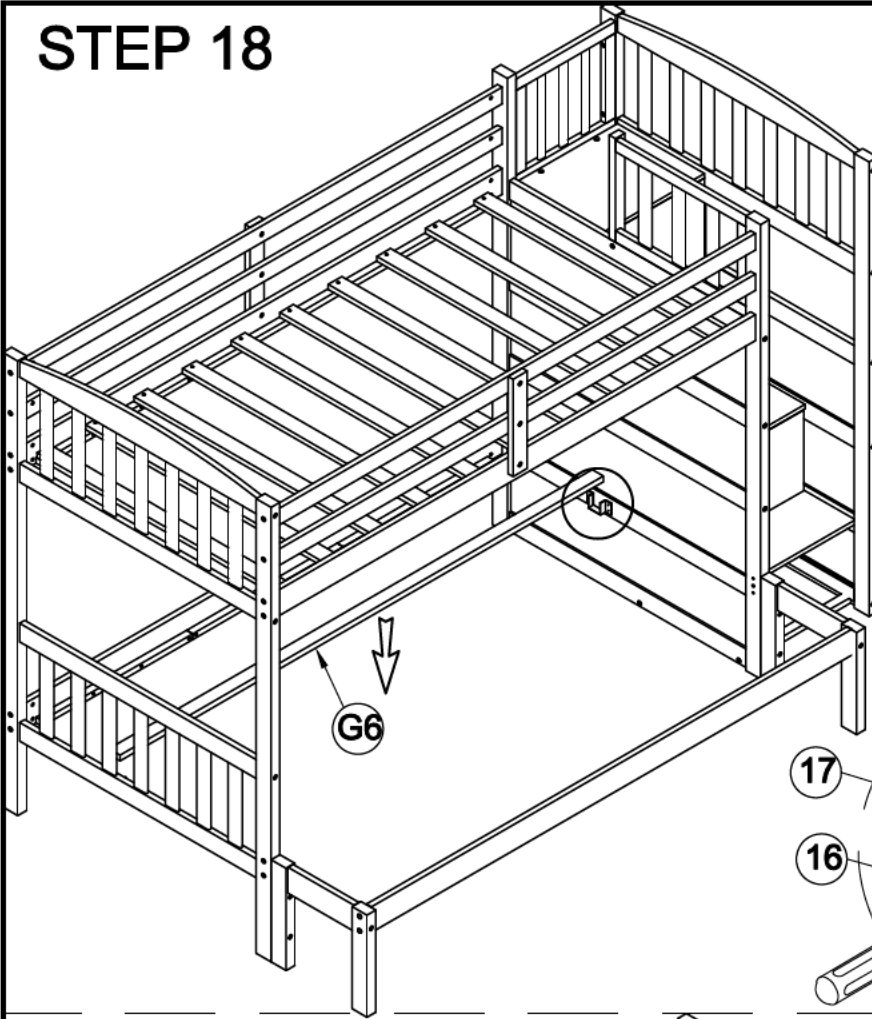
4





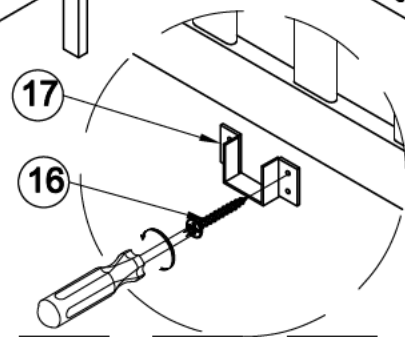
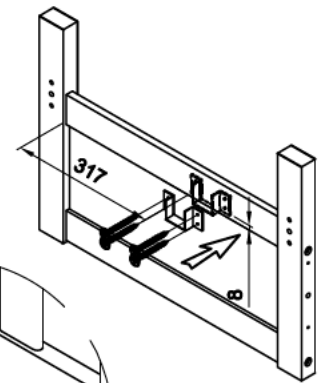
2(pcs)



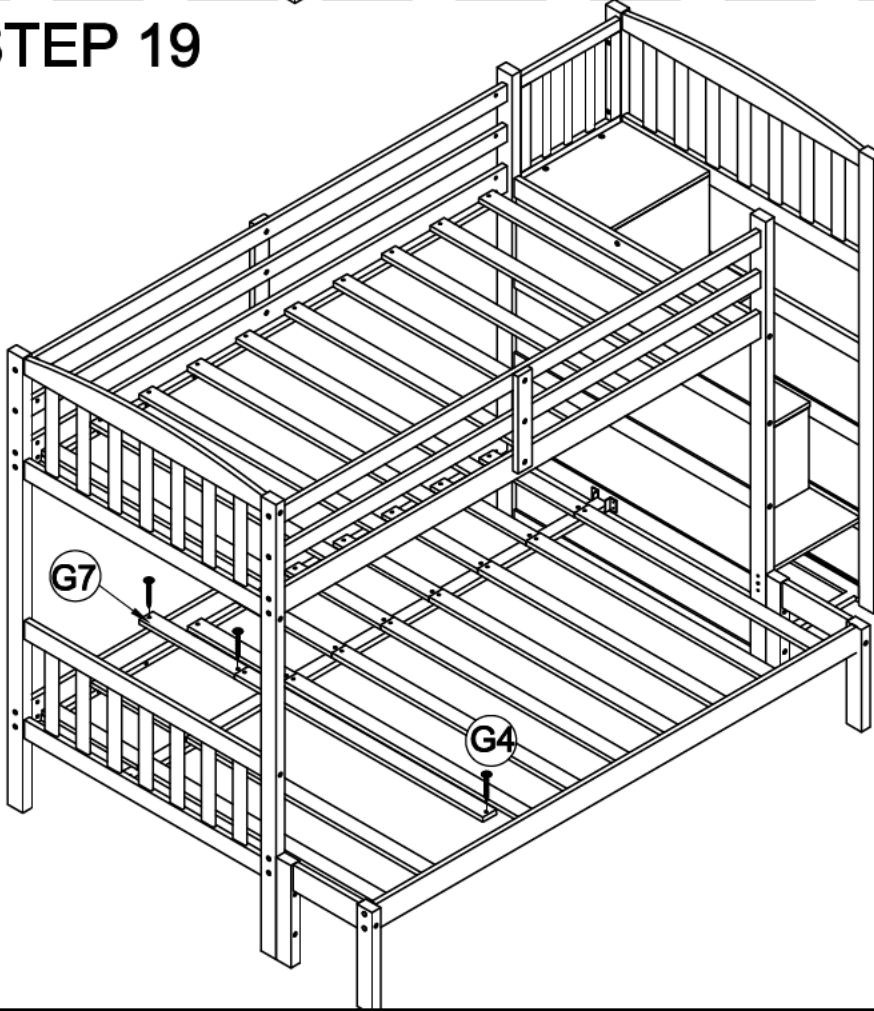
STEP 18




17		16	
2(pcs)		8(pcs)	



STEP 19



7	
40(pcs)	