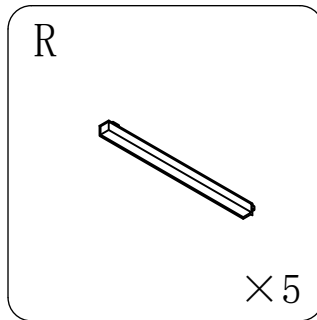
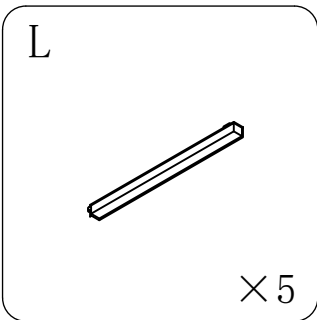
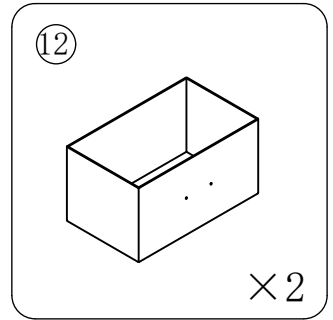
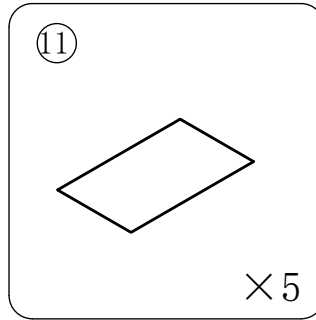
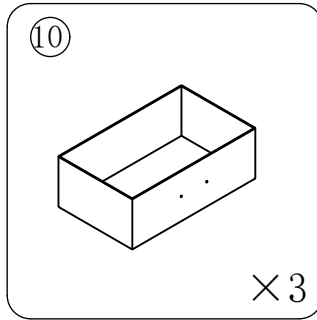
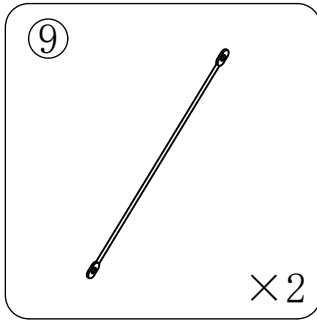
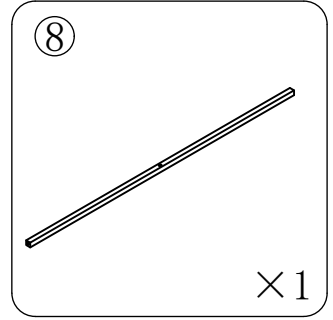
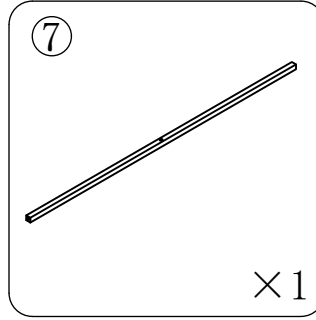
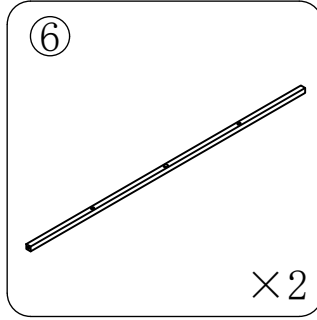
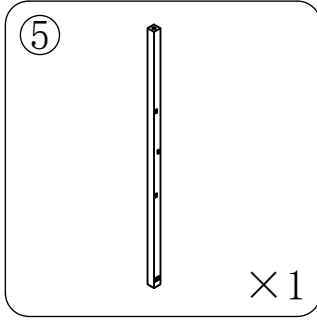
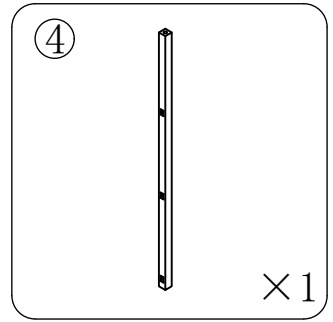
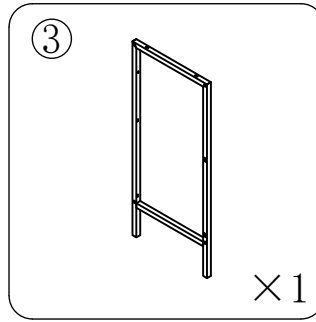
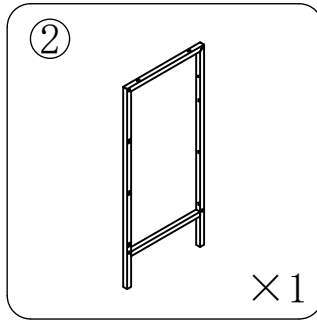
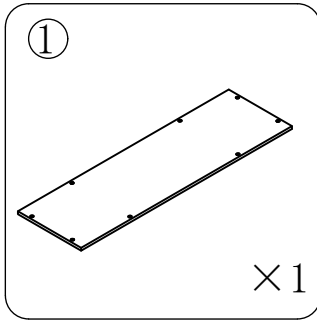


# Drawer Storage Tower

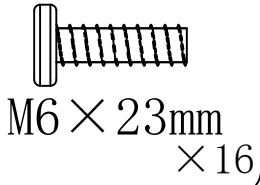
## Instruction Manual



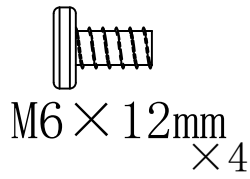
# PARTS LIST



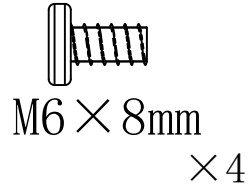
A



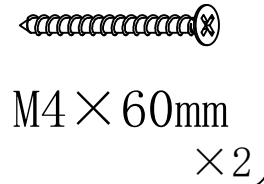
B



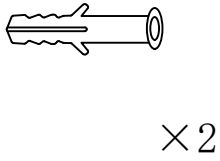
C



D



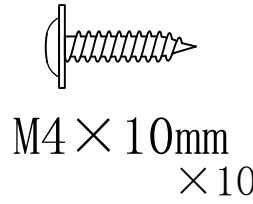
E



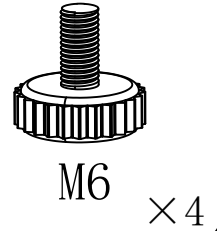
F



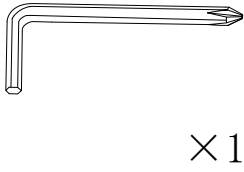
G

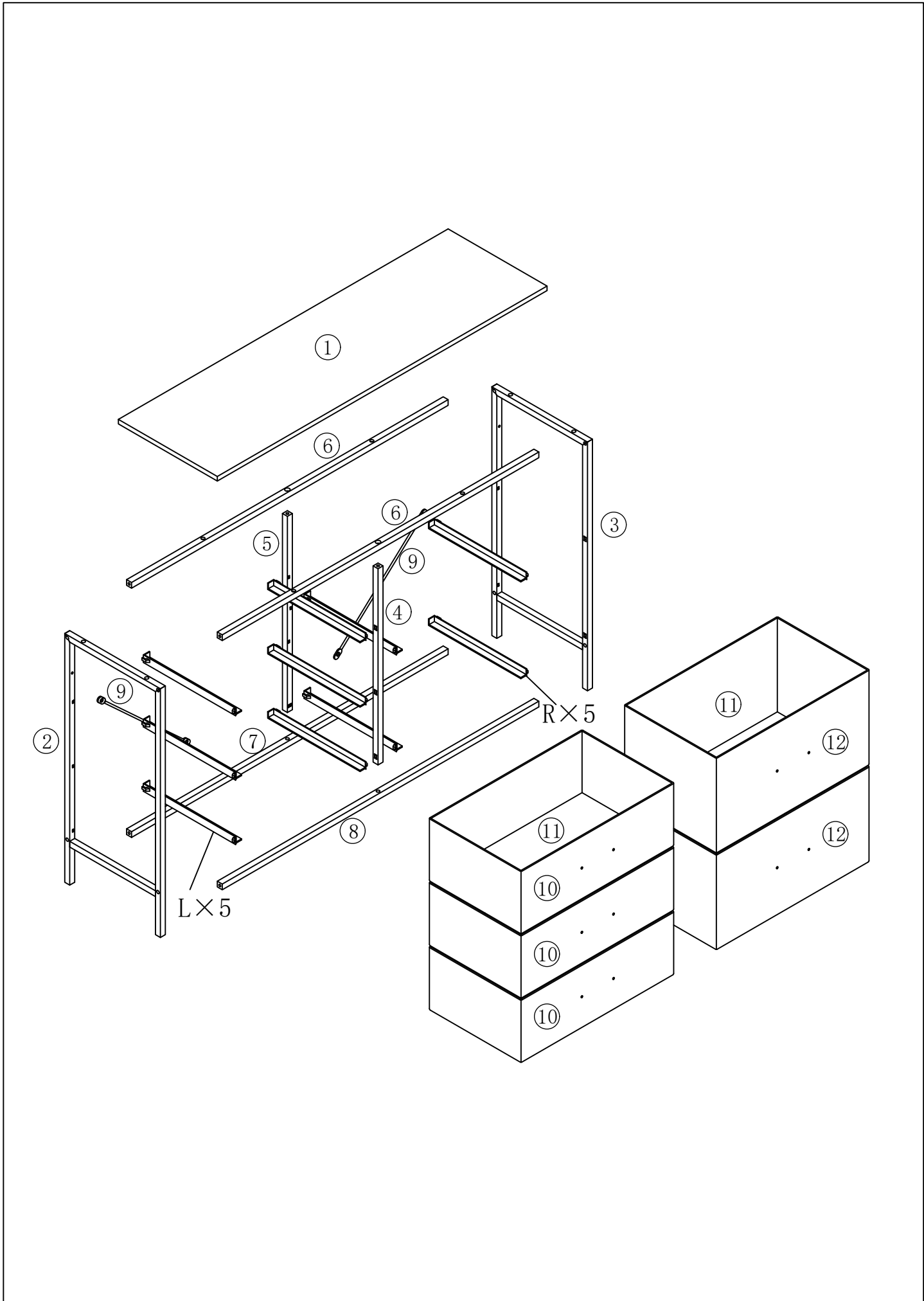


H



I



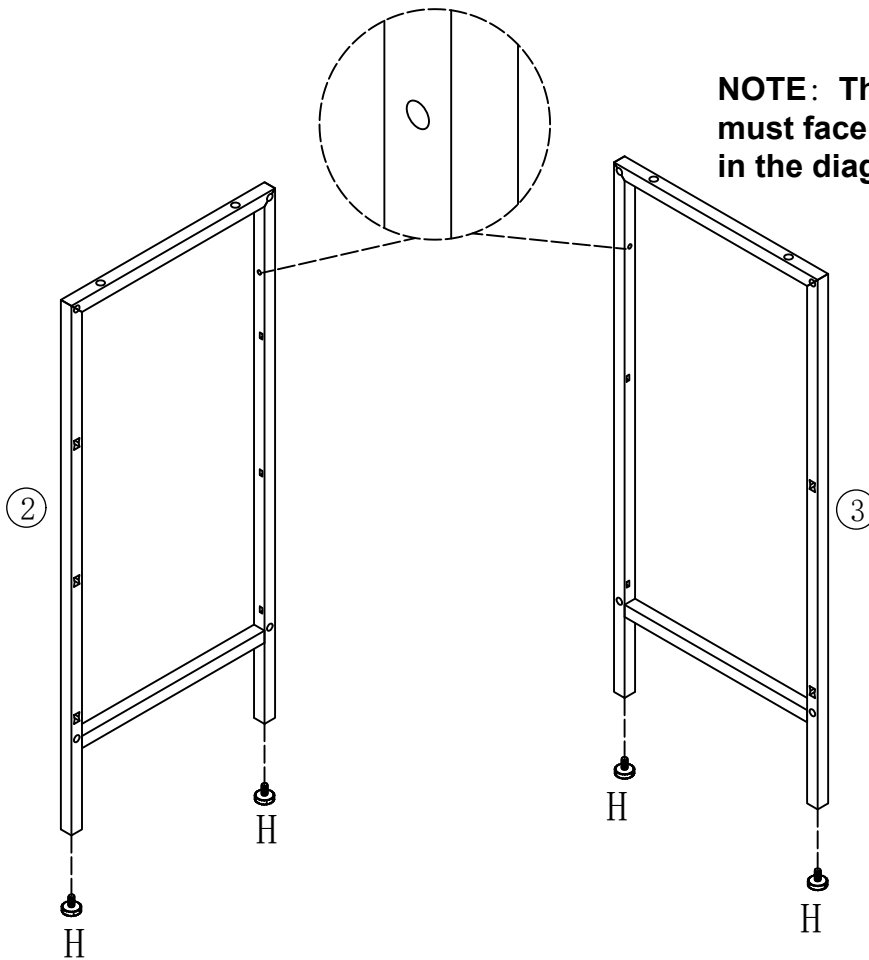


# ASSEMBLY INSTRUCTION

1

H  ×4

**NOTE:** The designated holes must face inward, as illustrated in the diagram.

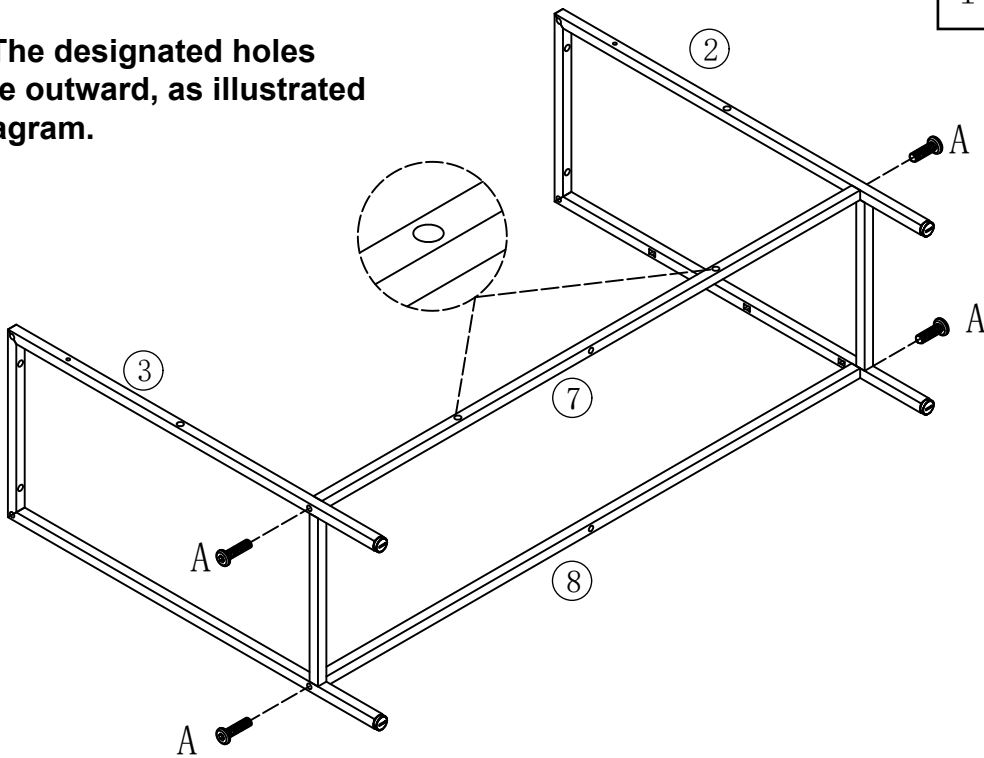


2

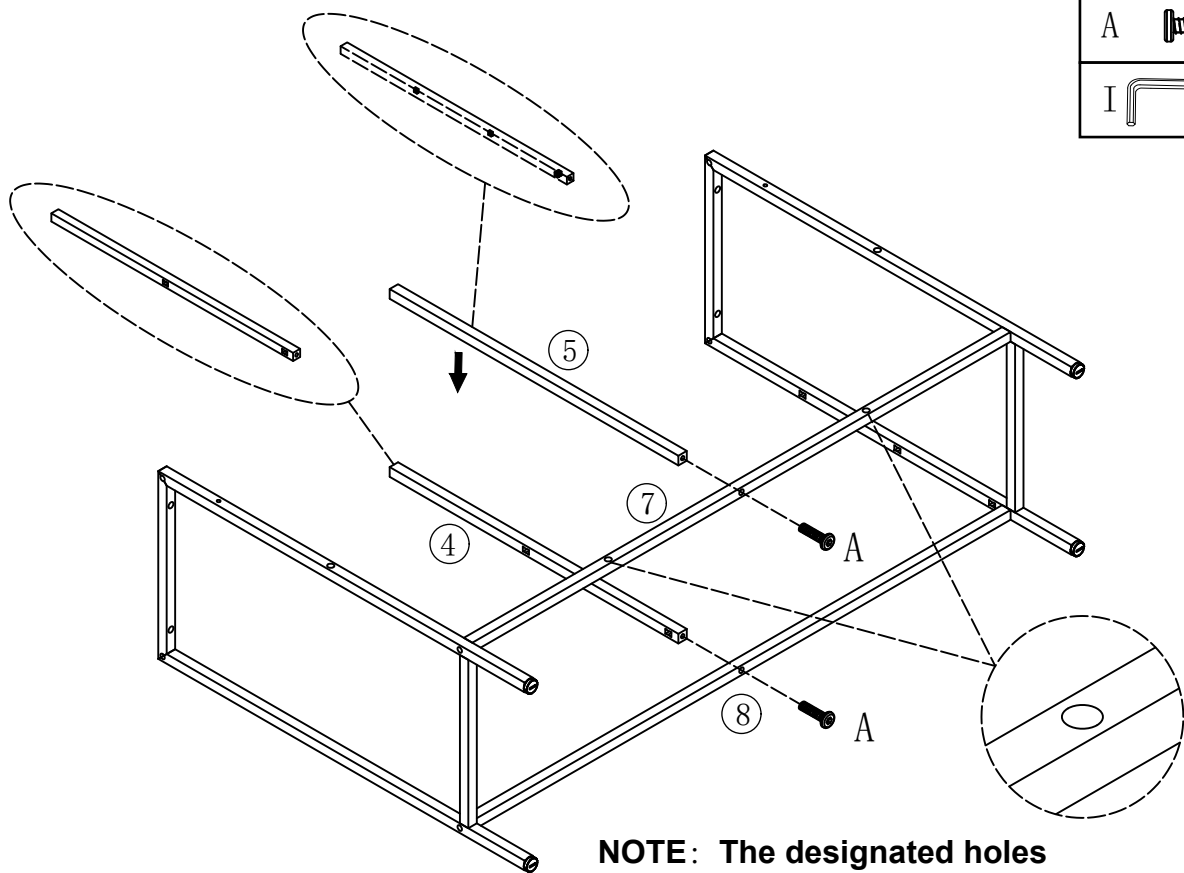
A  ×4



I  ×1

**NOTE:** The designated holes must face outward, as illustrated in the diagram.



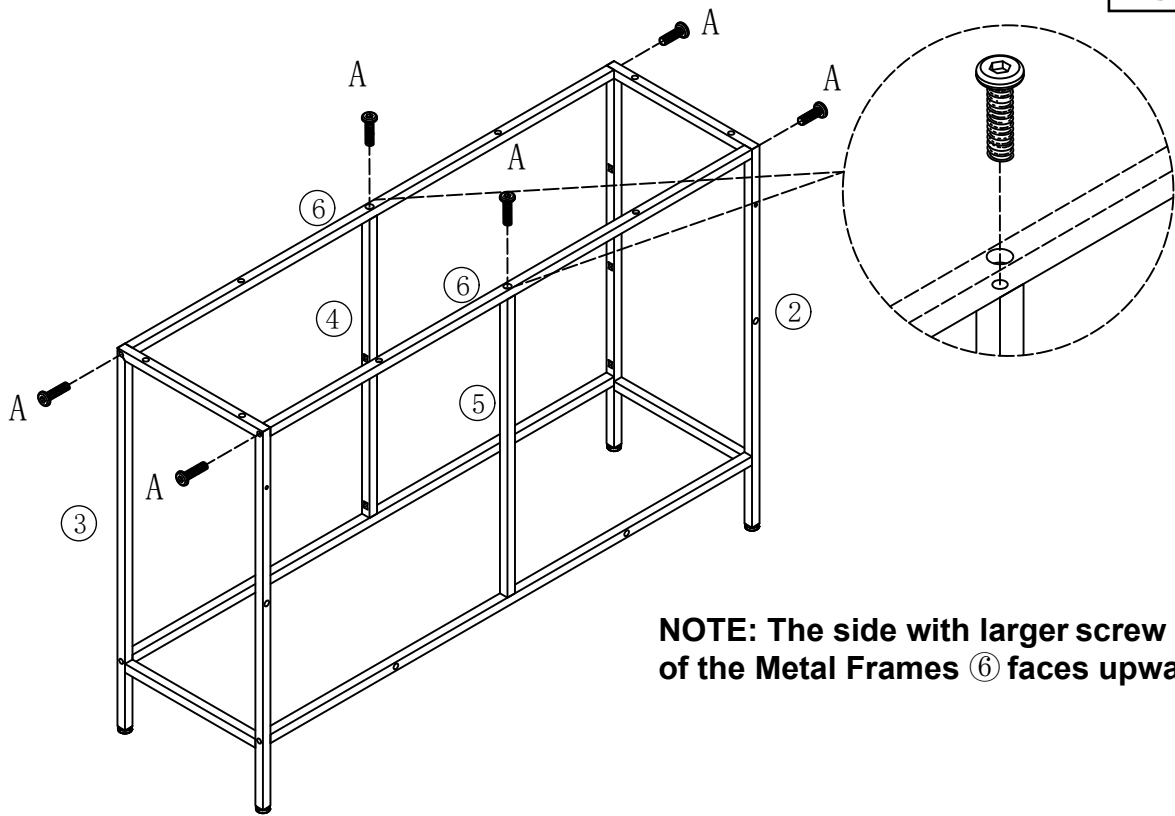
3





A		×2
I		×1

**NOTE:** The designated holes must face outward, as illustrated in the diagram.

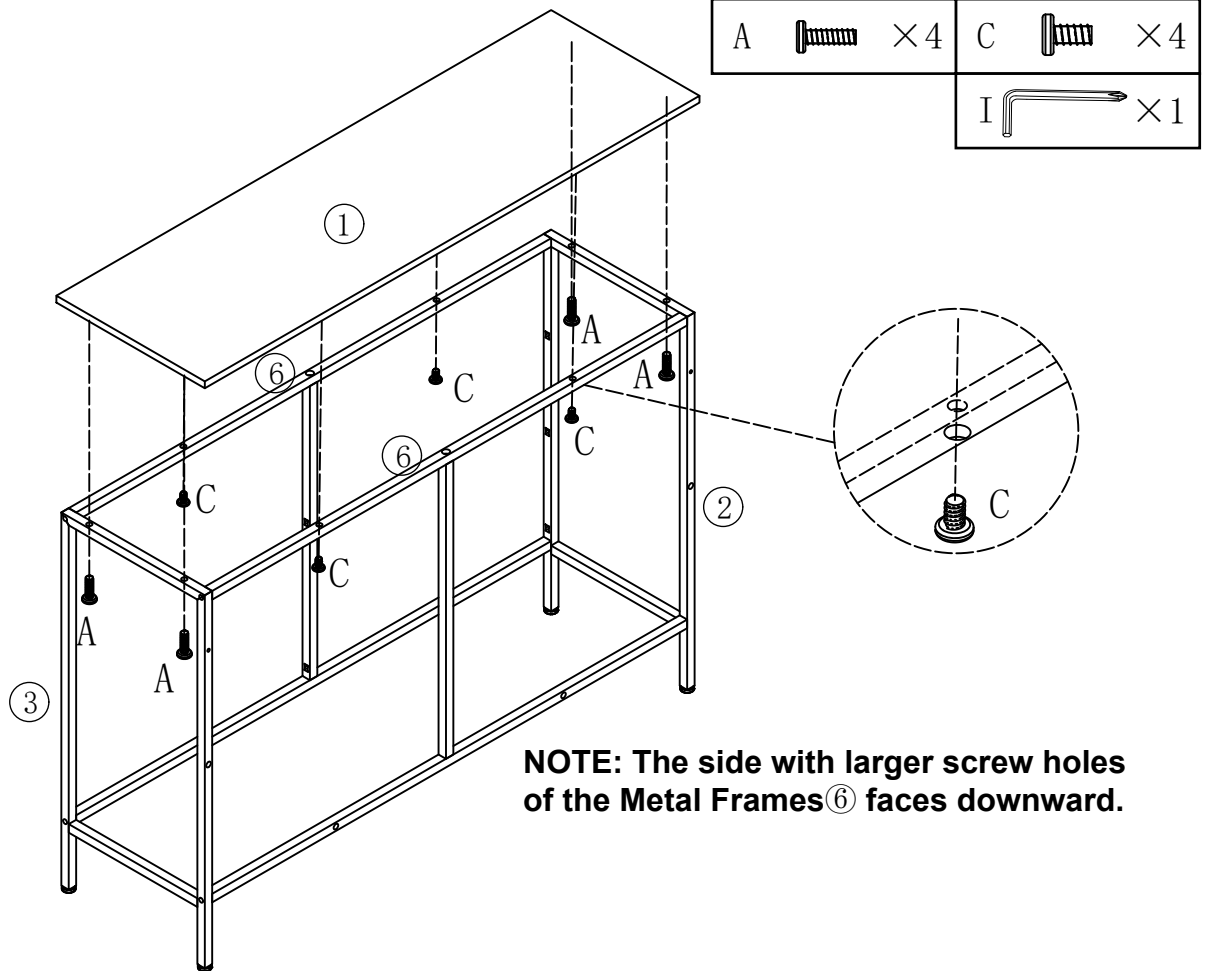
4



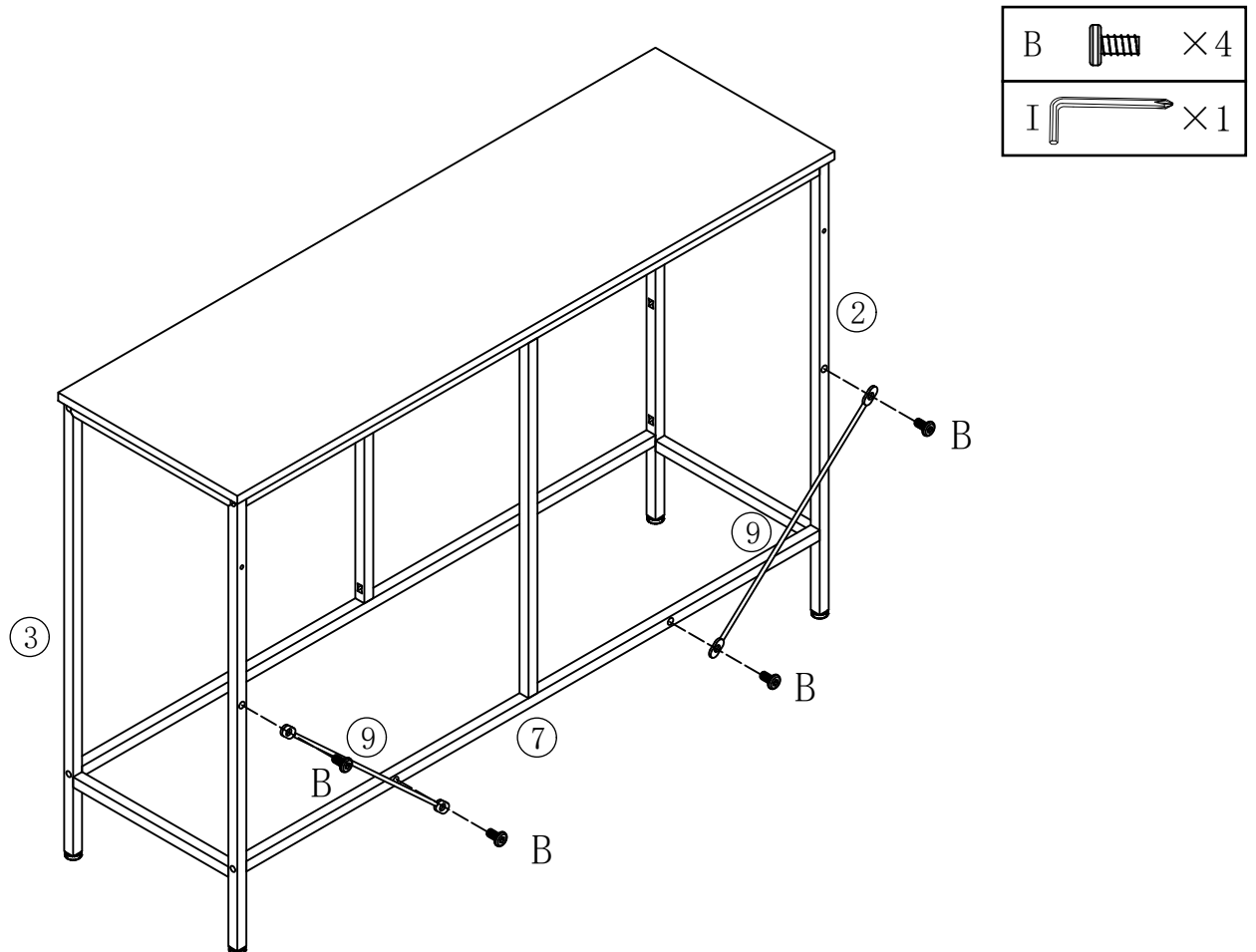
A		×6
I		×1

**NOTE:** The side with larger screw holes of the Metal Frames ⑥ faces upward.

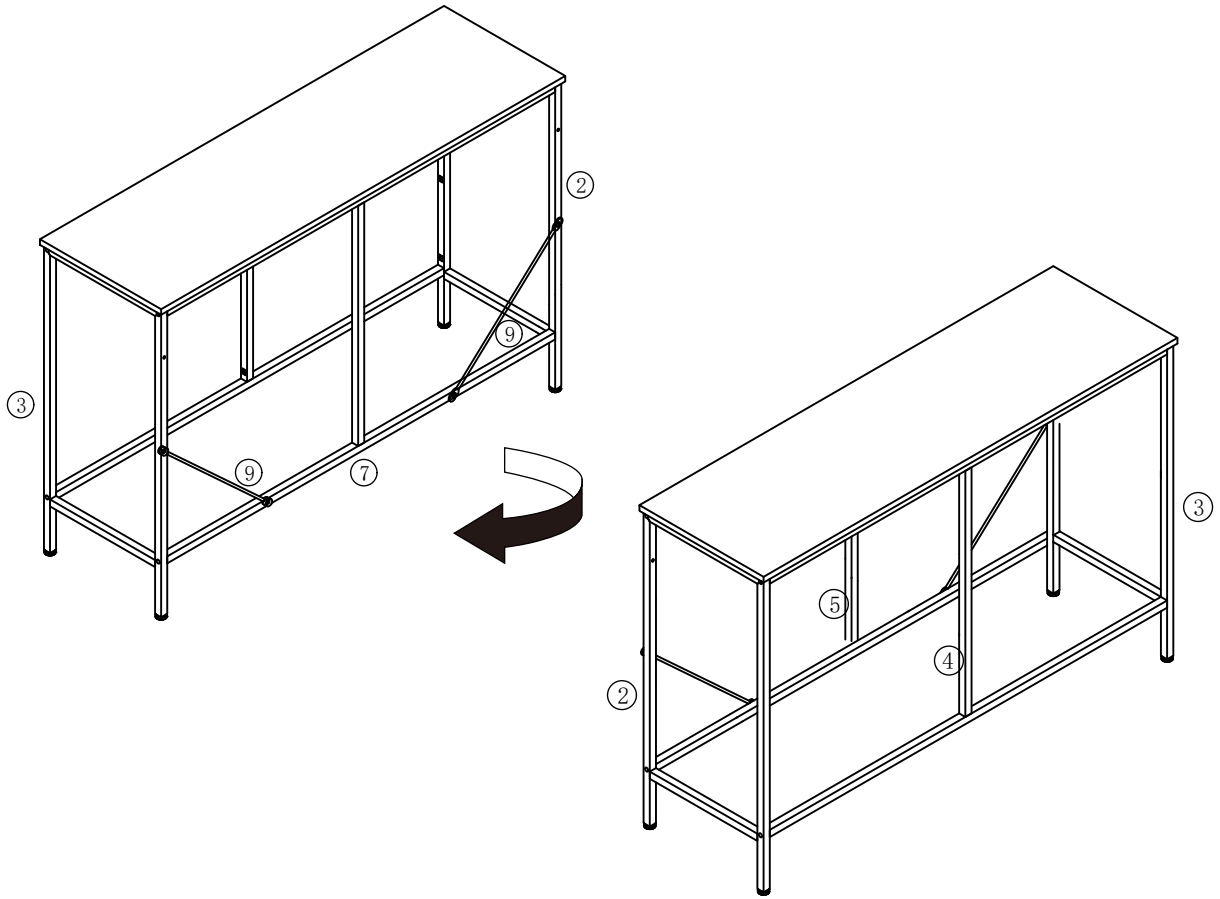
5



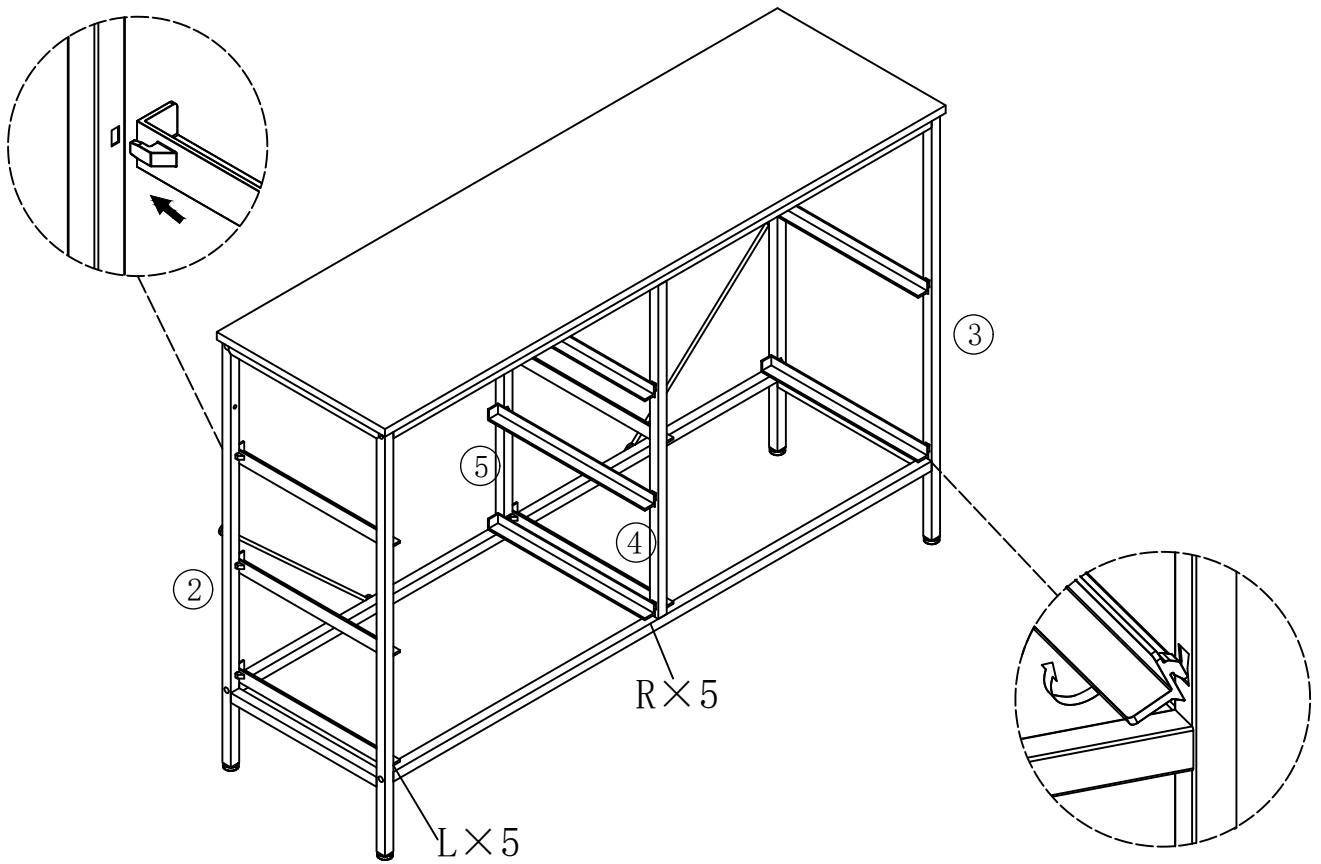
6



7

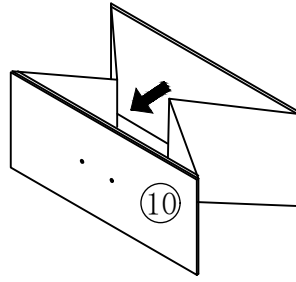


8

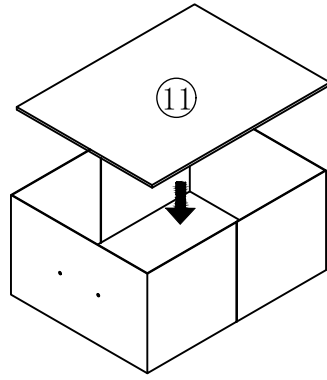


9

× 3



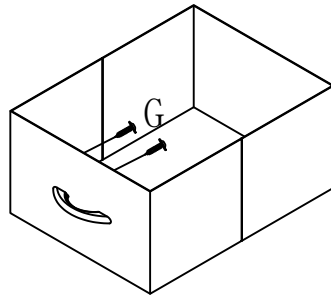
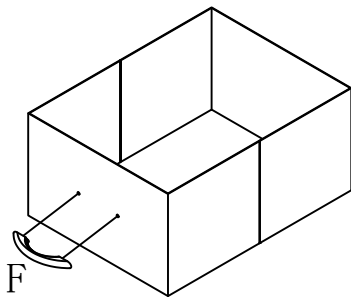
1



2

3

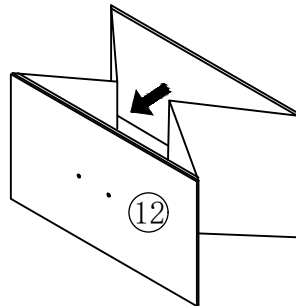
4



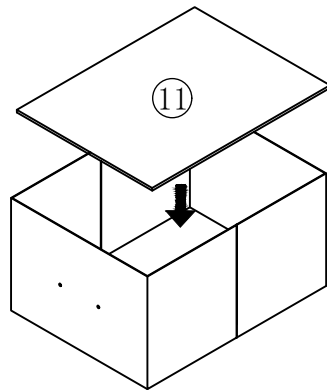
F		× 3
G		× 6
I		× 1

10

× 2



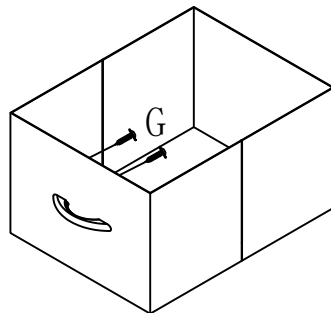
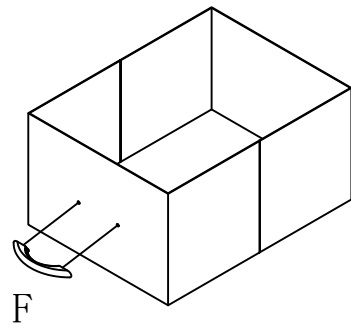
1



2

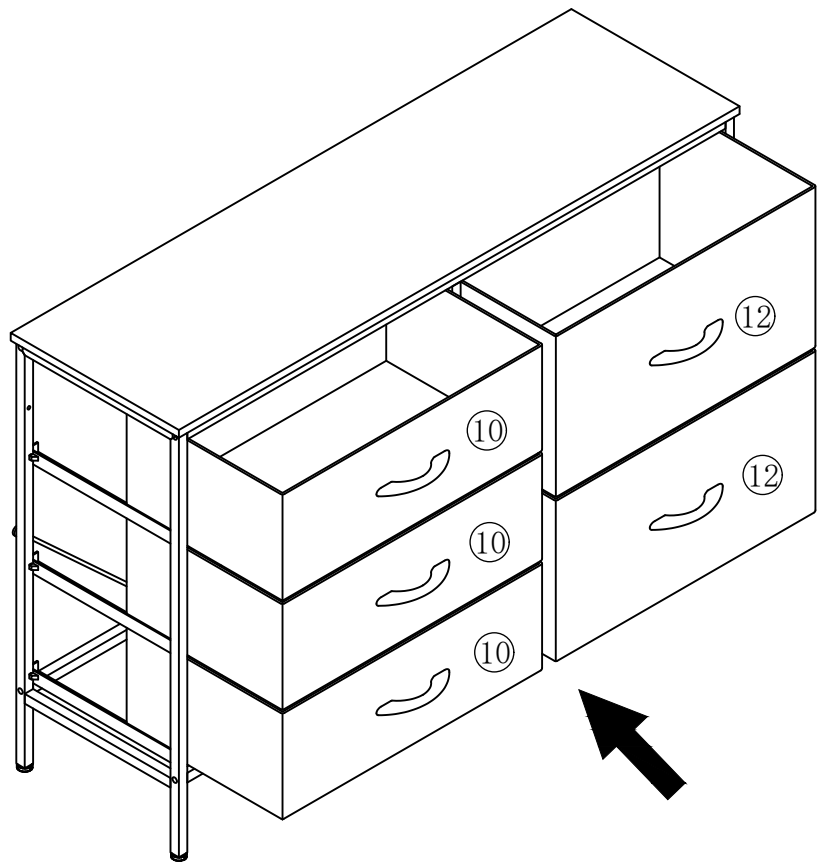
3

4

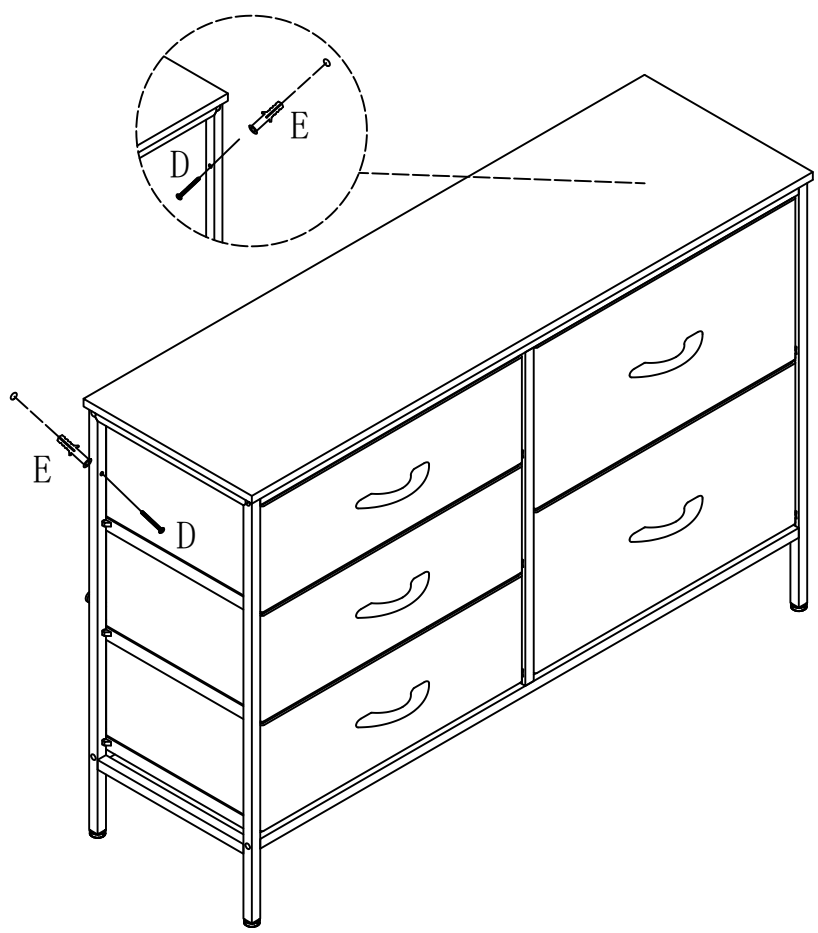


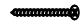
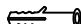

F		× 2
G		× 4
I		× 1

11



12



- |   |   |    |
|---|---|----|
| D |  | ×2 |
| E |  | ×2 |
| I |  | ×1 |

