

THANK YOU FOR YOUR PURCHASE

Thank you for purchasing this quality product. To ensure correct function and safety, please read and save all instructions before using the product

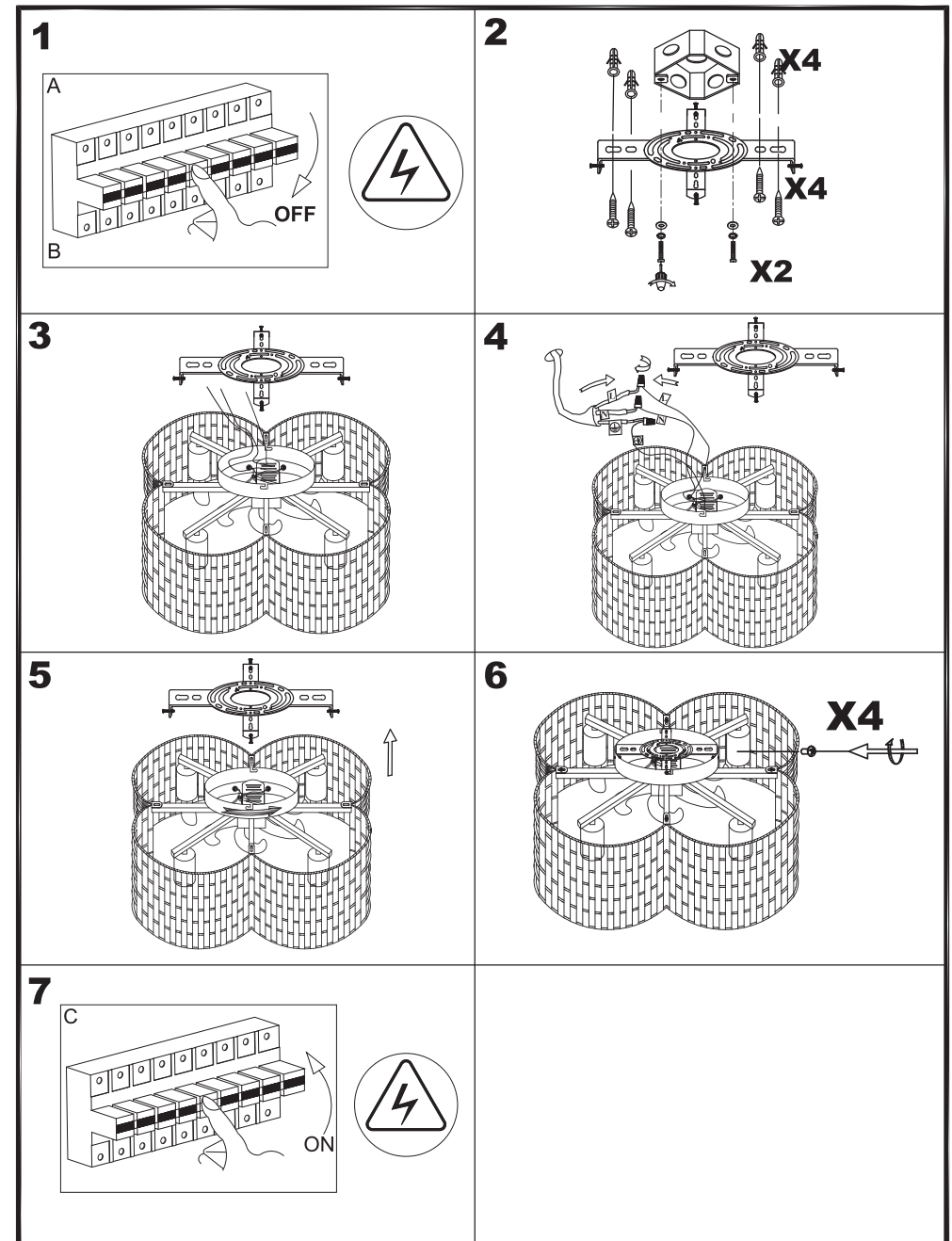
SAFETY TIP

1. Installation work and electrical wiring must be done by qualified person(s) in accordance with all applicable codes and standards (ANSI/NFPA 70), including fire-rated construction.
2. Read all instructions and safety information carefully before installing your fan and save these instructions.
3. To avoid possible electric shock, turn off the electricity at the main fuse box or circuit panel before you begin the fan installation or before servicing the fan or installing accessories.
4. Make sure you have a location selected for your fan that allow clear space for the blades to rotate, and at least seven (7) feet of clearance between the floor and the fan blade tips. The fan should be mounted at least thirty (30) inches from walls or other upright structures.
5. **WARNING:** The outlet box and ceiling support joist used must be securely mounted, and capable of supporting at least 100 pounds. To reduce the risk of fire, electric shock or personal injury, mount to the outlet box marked acceptable for fan supported and use mounting screws provided with the outlet box. The box must be supported directly by the building structure.
6. **WARNING:** To reduce the risk of fire, electric shock or personal injury, mount to outlet box marked "acceptable for fan support" and use mounting screws provided with the outlet box most outlet boxes commonly used for the support of lighting fixtures are not acceptable for fan support and may need to be replaced. Consult a qualified electrician if in doubt.
7. Electrical diagrams are for reference only. Light kits that are not packed with the fan must UL listed and marked suitable for use with the model fan you are installing. Switches must be UL general use switches. Refer to the instructions packaged with the light kits and switches for proper assembly.
8. After installation is complete, check that all connections are absolutely secure.
9. After making electrical connections, spliced conductors should be turned upward and pushed carefully up into outlet box. The wires should be spread apart with the grounded conductor and the equipment-grounding conductor on one side of the outlet box.
10. **WARNING:** To reduce the risk of electrical shock and fire, do not use this fan with any solid-state fan speed control device, or rheostat.
11. Do not separate the reverse switch until the fan has come to a complete stop.
12. Do not insert anything into the fan blades while they are rotating.
13. **WARNING:** To reduce the risk of personal injury, do not bend the blade brackets (also referred to as "flanges") during assembly or after installation. Do not insert objects in the path of the blades.
14. To avoid personal injury or damage to the fan and other items, be cautious when working around the fan or cleaning the fan.
15. Do not use water or detergent when cleaning the fan or fan blades. Dry dust cloth or lightly dampened cloth will be suitable for most cleaning.

NOTE: The important safety precautions and instructions appearing in the manual are not meant to cover all possible conditions and situations that may occur. It must be understood that common sense and caution are necessary factors in the installation and operation of this fan.

NOTE: This product is not intended for use by persons (including children) with reduced physical, sensory or mental capabilities are different or are impaired, or lack of experience or knowledge, unless such persons are supervised or trained to operate the appliance by a person responsible for their safety.

NOTE: Children should be supervised to ensure that they do not use appliances as a toy.



Fan lamp remote control instructions

Remote control key function:

:Main switch

:Light switch

:rotation

:Natural wind

:reversal

:Fan off

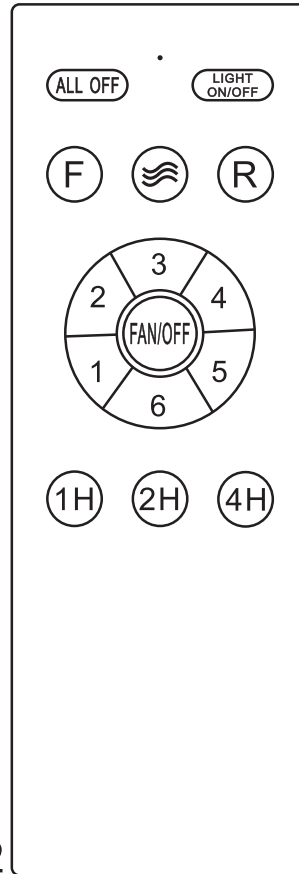
:Fan gear key Gear 1-6 Forward

:Fixed time 1 hour

:Fixed time 2 hours+pair key

:Fixed time 4 hours

Remote control battery : No. 7 1.5V*2



Product introduction :

1. This product adopts 433 wireless digital technology ,

Remote control one-to-one control ,

The workpiece can be controlled from any angle within the allowable space ,

Not limited by direction , Simple and convenient operation ,

Strong anti-interference ability.

2. Remote control instructions :

① . If the remote control is not used for a long time , Please remove the battery.

② . Remote control matching code :

Turn on the power ,

Press the pair code button within 5 seconds of the light on ,

When you hear two "tick" sound or the light flashes, the code matches successfully.

If you need to match the code again , You need to wait 30 seconds before turning on the power and repeat the above operation.

warning :

This electronic switch product needs to be operated by professionals during installation.

Remote trigger electronic switch ,

The radio frequency of the remote control transmitter is 433M

