

OCALA

SOLID SURFACE FREESTANDING TUB

SKU: 948060



CONTENTS

59" TUB	PAGE 2
66" TUB	PAGE 3

FEATURES

Product Finish: White
Features: Integral Drain & Overflow
Overflow Hole: Yes
Integral Drain & Overflow : Yes
Shape: Oval
Material: Solid Surface
Drain Included: Yes
Drain Placement: Center
All dimensions ($\pm 1/2"$).
White Pop-Up drain included.
Textured slip-resistant bottom.
Optional Quick Connect Drop-In Drain Kit Includes:
Floor Plate, 1-1/2" PVC Pipe, 2" x 1-1/2" Trap Adapters,
1 Brass Threaded, 1 Brass Unthreaded Tailpiece and Plug.
Installs above your subfloor, but underneath your cement
floor or tile, so you do not need access below the fixture.

SIGNATURE HARDWARE Lifetime Warranty

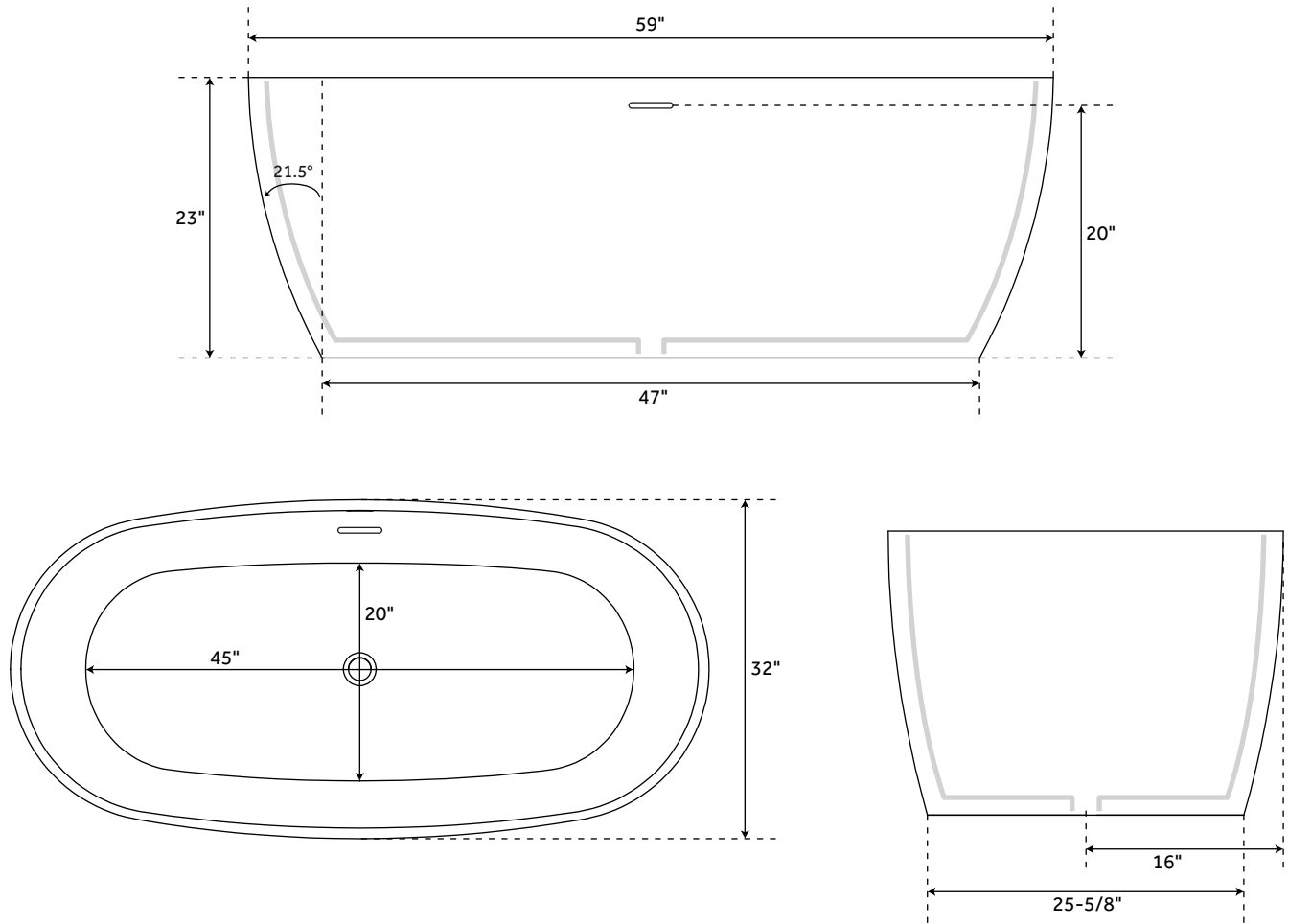
See website for detailed warranty information.

REVISED 01/15/2020

59" OCALA

SOLID SURFACE FREESTANDING TUB

SKU: 948060



FEATURES

Product Finish: White
Features: Integral Drain & Overflow
Overflow Hole: Yes
Integral Drain & Overflow : Yes
Shape: Oval
Material: Solid Surface
Length: 59"
Width: 32"
Height: 23"
Tub Interior Length: 45"
Tub Interior Width: 20"
Tub Slope: 21.5°
Water Depth To Overflow: 20"
Drain Included: Yes
Drain Placement: Center
Faucet Included: No
Water Capacity (Gallons): 78
Tub Weight Uncrated (lbs): 212
Tub Weight Crated (lbs): 322

CODES/STANDARDS

cUPC
CSA B45.5/IAPMO Z124
Massachusetts Accepted



SIGNATURE HARDWARE LIFETIME WARRANTY

See website for warranty information



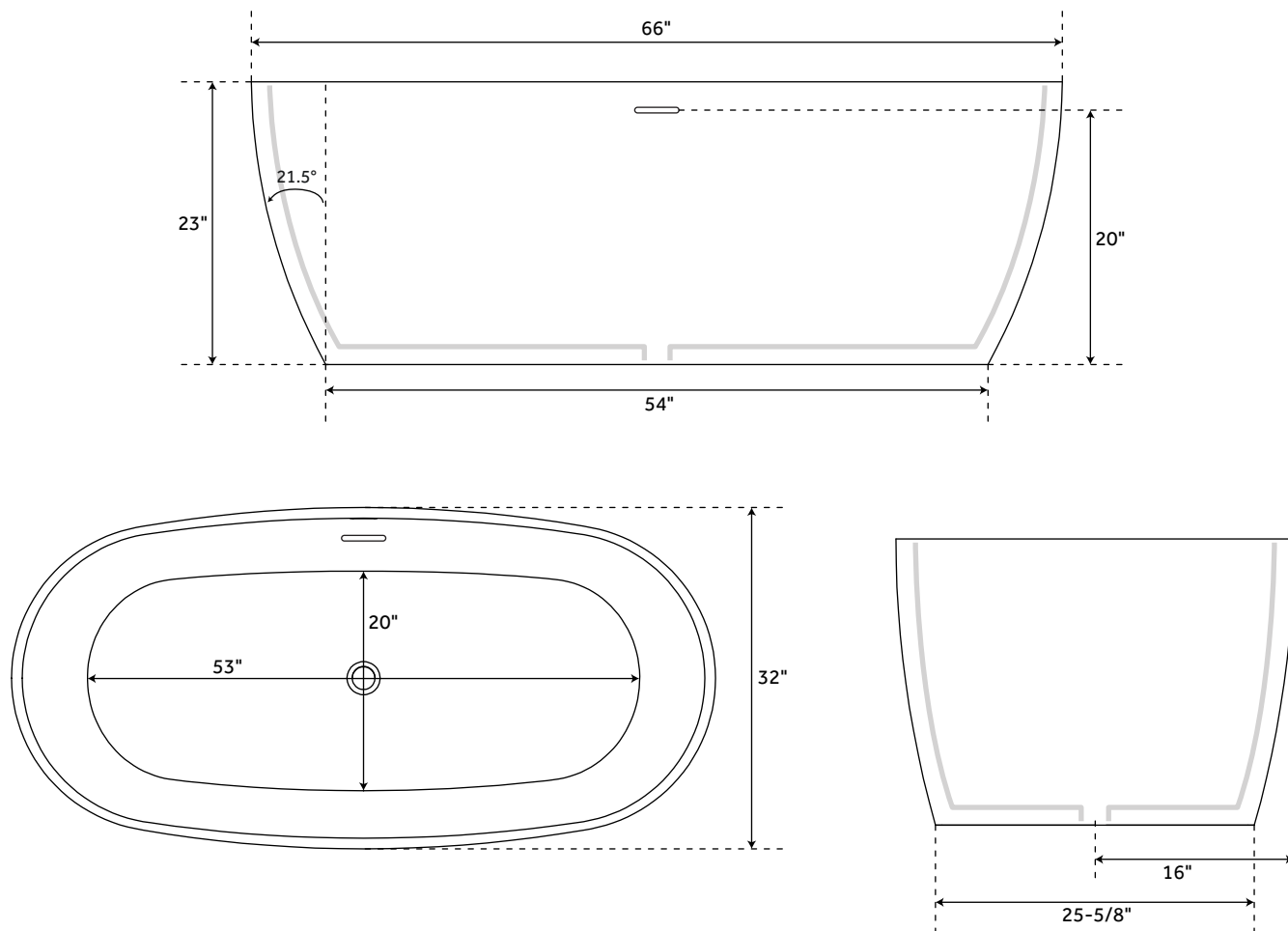
All dimensions and specifications are nominal and may vary. Use actual products for accuracy in critical situations.

Page 2
CODE: SHOCFS5932WH

66" OCALA

SOLID SURFACE FREESTANDING TUB

SKU: 948060



FEATURES

Product Finish: White
Features: Integral Drain & Overflow
Overflow Hole: Yes
Integral Drain & Overflow : Yes
Shape: Oval
Material: Solid Surface
Length: 66"
Width: 32"
Height: 23"
Tub Interior Length: 53"
Tub Interior Width: 20"
Tub Slope: 21.5°
Water Depth To Overflow: 20"
Drain Included: Yes
Drain Placement: Center
Faucet Included: No
Water Capacity (Gallons): 92
Tub Weight Uncrated (lbs): 232
Tub Weight Crated (lbs): 342

CODES/STANDARDS

cUPC
CSA B45.5/IAPMO Z124
Massachusetts Accepted



SIGNATURE HARDWARE LIFETIME WARRANTY

See website for warranty information



All dimensions and specifications are nominal and may vary. Use actual products for accuracy in critical situations.

Page 3
CODE: SHOCFS6632WH