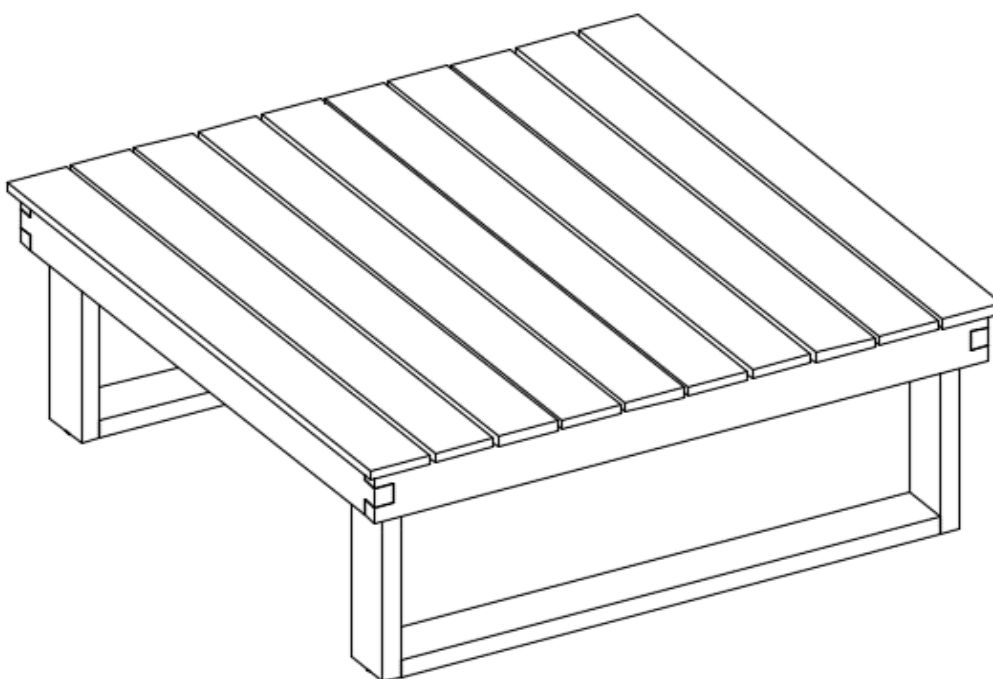


Assembly Instructions


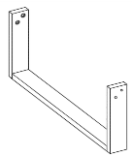


TABLE

CAUTION: You must read this before you proceed.

Please look underneath the table top for hardware packs.

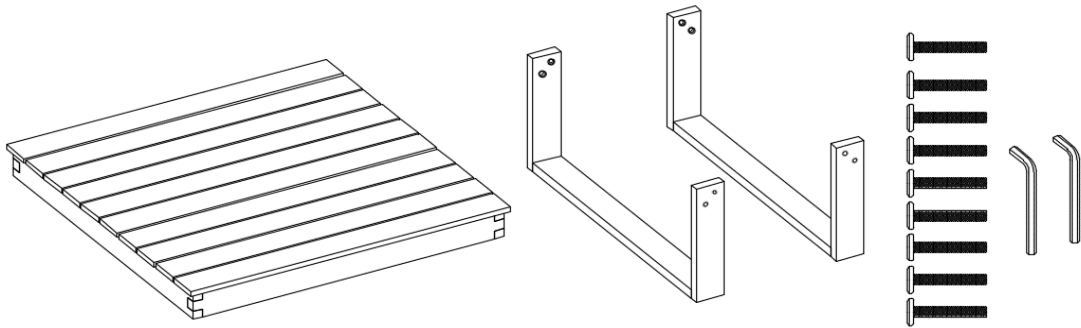


CAUTION : This Table is NOT a TOY.
Keep your child / children at bay in the process of assembly.
For turning the Table and to prevent damage to the Table, 02 persons may be needed to execute this action.

Parts List			
No.	Picture	Description	Qty
A		Table top	1
B		Leg	2
Hardware			
Label	Picture	Description	QTY
①		Bolt (M6 x 40mm)	9
②		Allen Wrench (30 x 80mm)	2

Assembly Preparation

Before Beginning Assembly:



Read instructions, cover to cover.



Have 2 adults on hand for assembly.



Do not assemble on flooring or carpet.

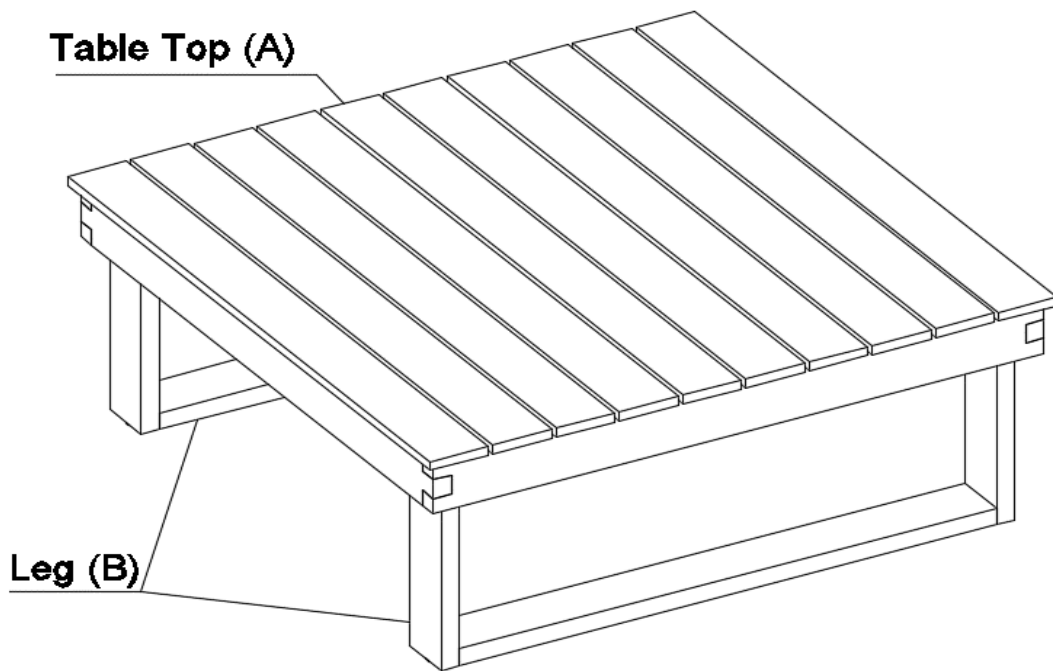


Assemble on a clean non-marring surface (packing foam).



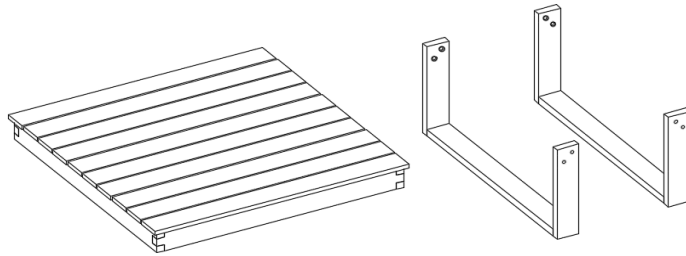
Save all packaging until finished.

Assembly Steps



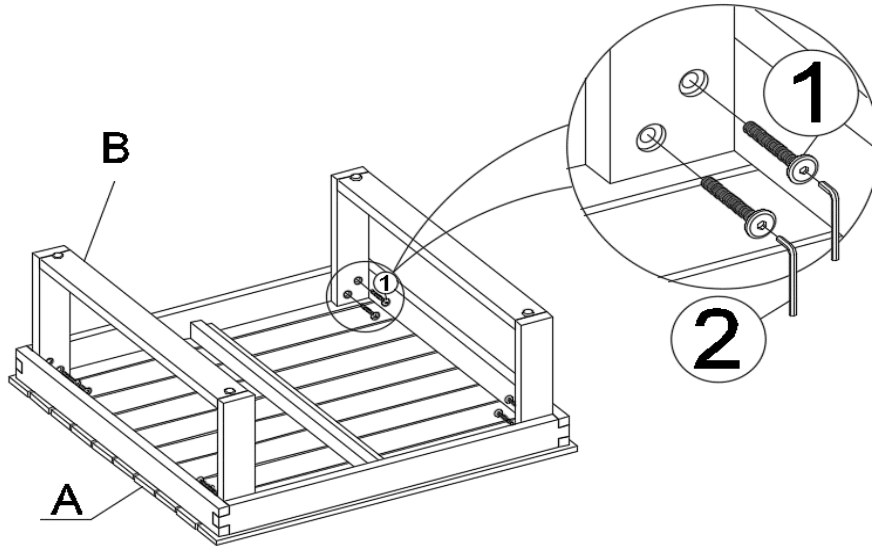
This Table has multiple parts and may require up to 30 minutes to assemble. To give you an overview of the Table parts, the above picture is to help you put the various parts into perspective. Please read through the instructions herebelow to familiarise the parts and steps before assembly.

Step 1



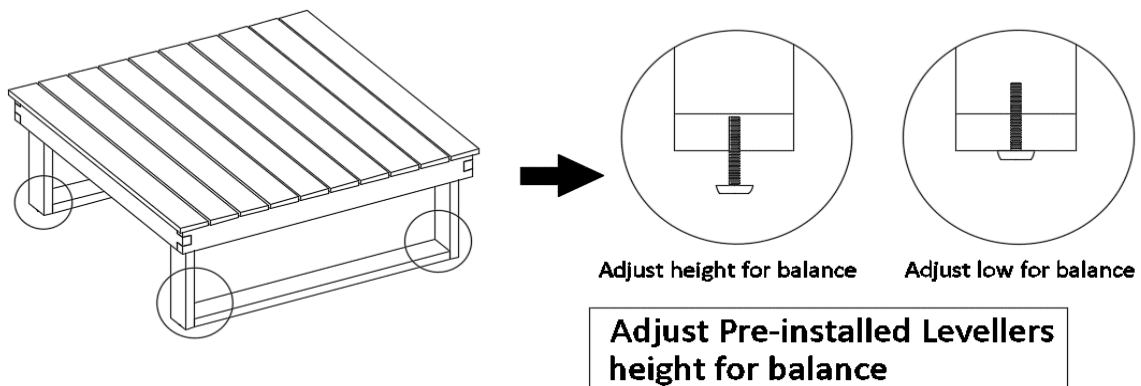
Unpack and place all parts on a clean, non-marring surface.

Step 2



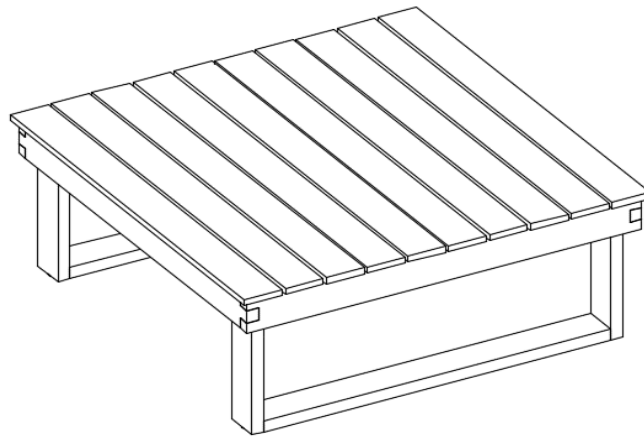
Place the Table top (A) facedown on a clean, non-marring surface as shown above. Attach the Leg (B) to the Table top (A) by using Bolts (①) and Allen Wrench (②). Repeat the same process with the remain Leg (B).
Do not fully tighten the Bolts

Step 3



Place the Table onto a flat, level surface.
Then EXERT pressure, floorwards onto the Table with both hands.
This pressure will help the Table reach full alignment at all joints.
In a sequential manner, gradually tighten all Bolts at all joints until evenly secured.
Inspect the Table and make sure all parts are adequately connected.
Adjust the Levellers until the Table is level with the ground.
To adjust the Levellers, get assistance from an adult partner to lift/lean and hold the Table while you are working

Step 4



Turn the Table right side up.

EXERT pressure, floorwards onto the Table with both hands.

This pressure will help the Table reach full alignment at all joints.










In a sequential manner, gradually tighten all Screws at all joints until evenly secured.

Inspect the Table and make sure all parts are adequately connected.

Your Table is ready for use.

This Table can only be used on a flat, level surface.

Care & Maintenance

-  Do not put hot items directly on furniture surface
-  Do not clean furniture with harsh cleansers or polish.
-  To obtain the longest lifespan of your outdoor products, minimizing exposure to direct sunlight is recommended.
-  Children should not climb or jump on the furniture.
-  Do not write on furniture without a padded barrier to protect the surface.
-  To obtain the longest lifespan of your outdoor products, avoid extended and lengthy exposure to rain, snow, and direct sunshine. Whenever possible cover the product and /or place under patio or awnings.
-  Not for commercial use. For residential use only .
-  Stains may be removed with mild soap solution and damp cloth.
-  Dust and pick-up spills using a clean, non-colored, lint-free cloth.