

ASSEMBLY INSTRUCTIONS



Fine Furniture for every stage of life

Sectional

ASSEMBLY INSTRUCTIONS

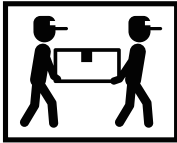
ASSEMBLY TIPS:

1. Remove hardware from box and sort by size.
2. Please check to see that all hardware and parts are present prior to start of assembly.
3. Please follow attached instructions in the same sequence as numbered to assure fast & easy assembly.



WARNING!

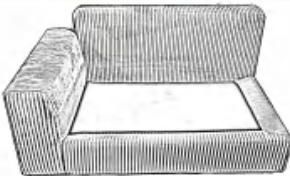


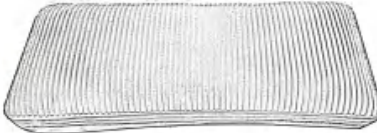
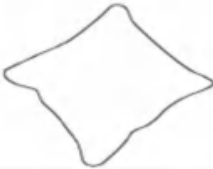

1. Don't attempt to repair or modify parts that are broken or defective. Please contact the store immediately.
2. This product is for home use only and not intended for commercial establishments.



ASSEMBLY TIME

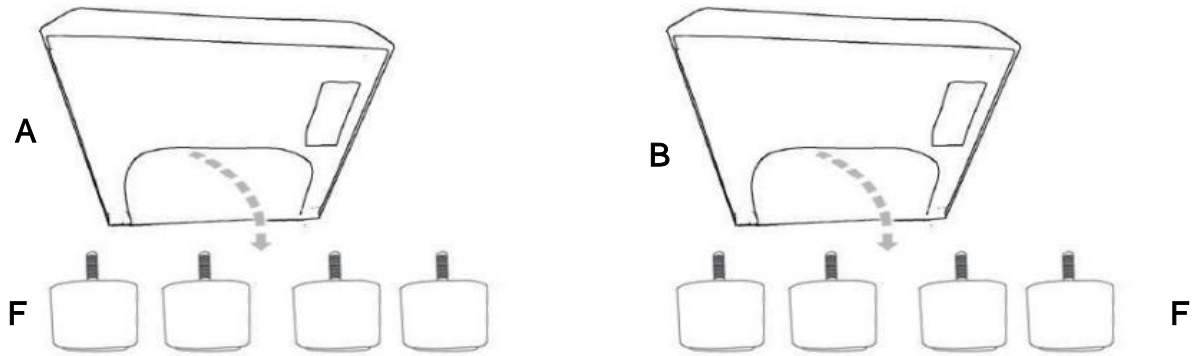
8 MINUTES

PARTS IDENTIFICATION

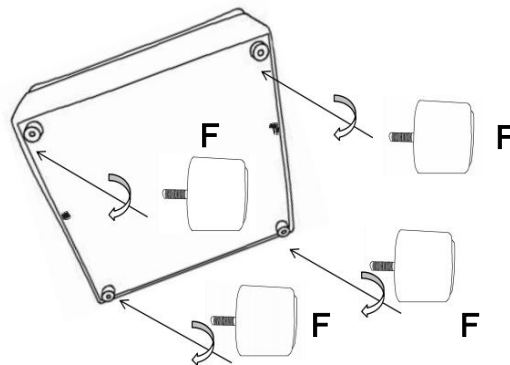
B1	PART NAME	FIGURE	QUANTITY
A	LAF LOVESEAT BASE		1PC
B	CHAISE BASE		1PC
C	CHAISE SEAT CUSHION		1PC
D	LOVESEAT BACK CUSHION		1PC
E	PILLOW (3pcs located in B1; 3pcs located in B2)		6PCS
F	LEG		8PCS

ASSEMBLY INSTRUCTIONS

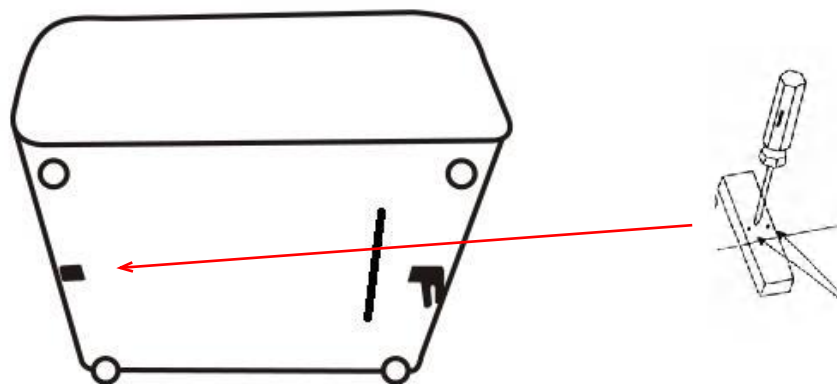
STEP 1 Turn over the item and take out the legs from zippered pouch



STEP 2 Install the legs as pictures show

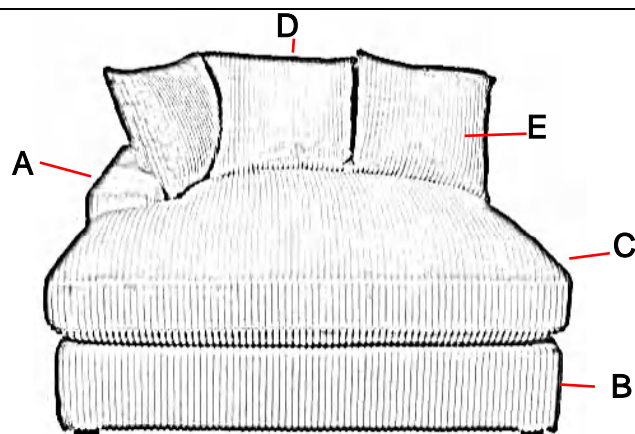


STEP 3 Please remove the wood block with screwdriver, do not use a hammer



STEP 4

COMPLETE



ASSEMBLY INSTRUCTIONS

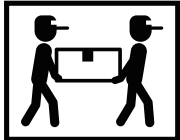
ASSEMBLY TIPS:

1. Remove hardware from box and sort by size.
2. Please check to see that all hardware and parts are present prior to start of assembly.
3. Please follow attached instructions in the same sequence as numbered to assure fast & easy assembly.



WARNING!

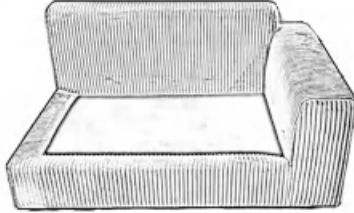
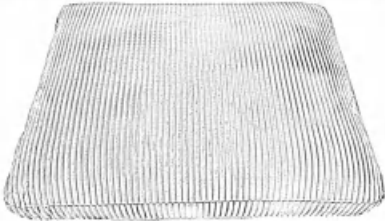
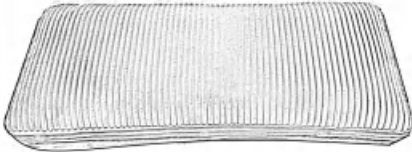
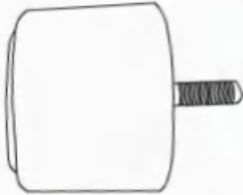
1. Don't attempt to repair or modify parts that are broken or defective. Please contact the store immediately.
2. This product is for home use only and not intended for commercial establishments.



ASSEMBLY TIME

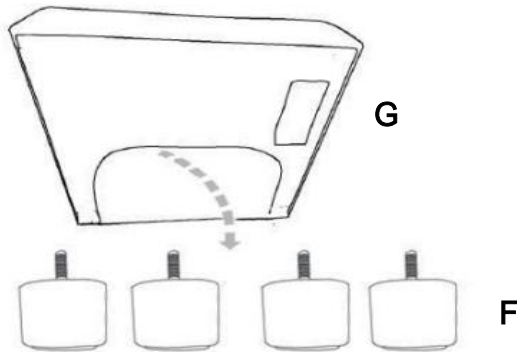
8 MINUTES

PARTS IDENTIFICATION

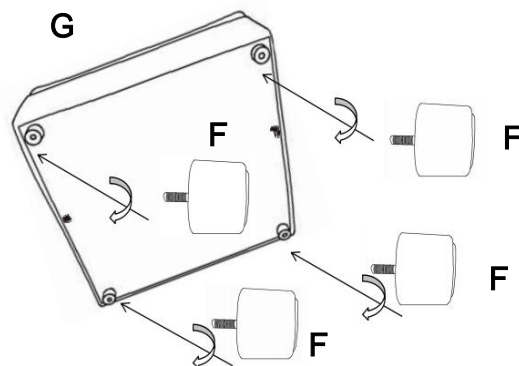
B2	PART NAME	FIGURE	QUANTITY
G	RAF LOVESEAT BASE		1PC
H	LOVESEAT SEAT CUSHION		1PC
D	LOVESEAT BACK CUSHION		1PC
F	LEG		4PCS

ASSEMBLY INSTRUCTIONS

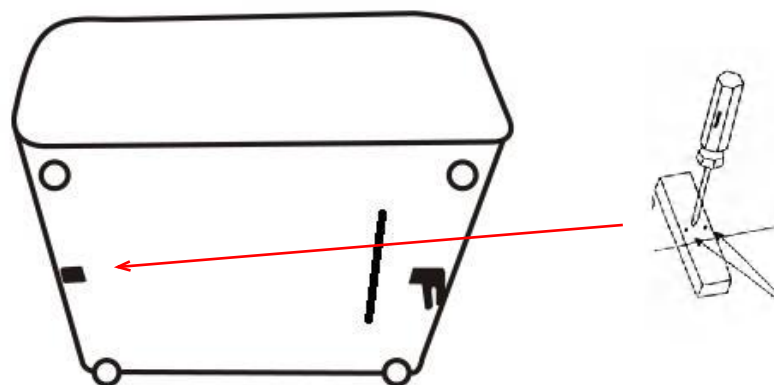
STEP 5 Turn over the item and take out the legs from zippered pouch



STEP 6 Install the legs as pictures show

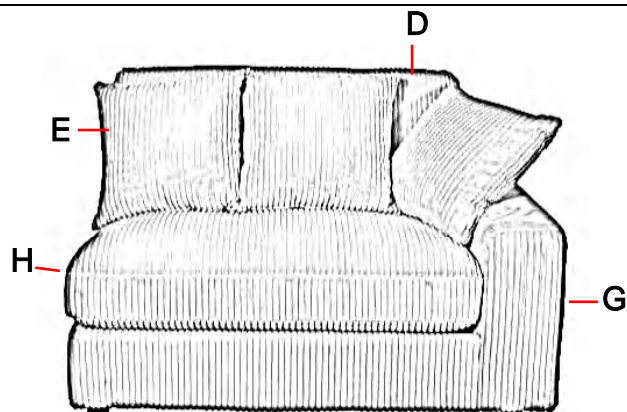


STEP 7 Please remove the wood block with screwdriver, do not use a hammer



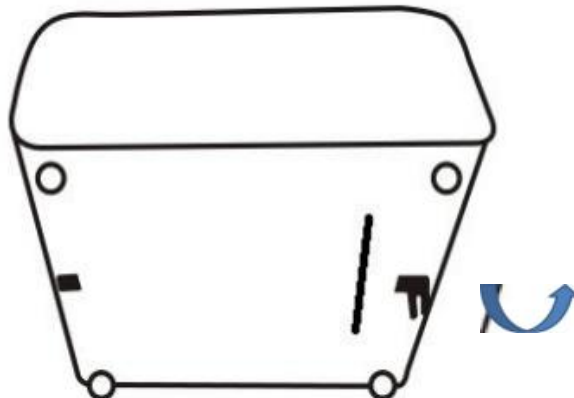
STEP 8

COMPLETE

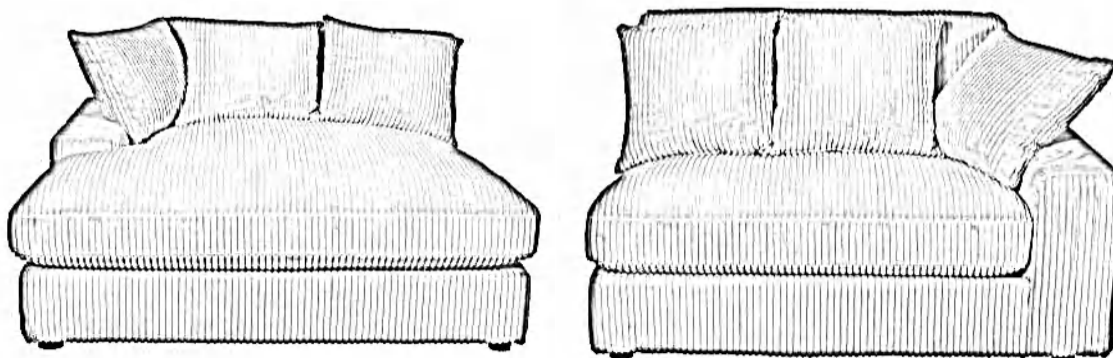


ASSEMBLY INSTRUCTIONS

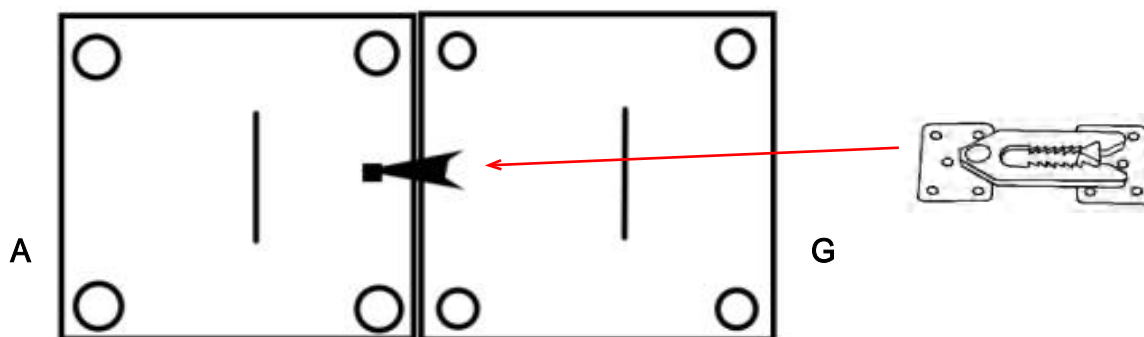
STEP 9 Rotate the metal clips



STEP 10 Put the chaise and loveseat closer



STEP 11 Insert the metal clips to connect other units as pictures show

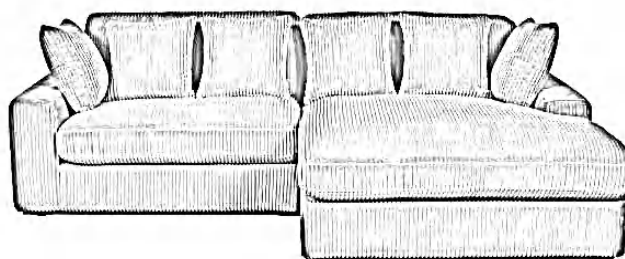
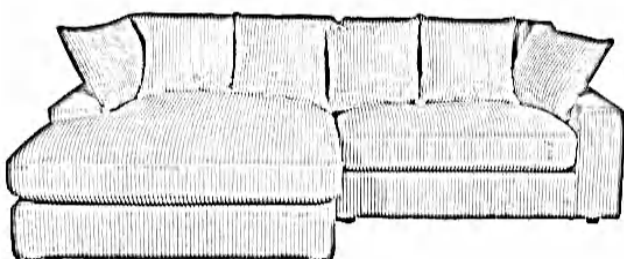


STEP 12

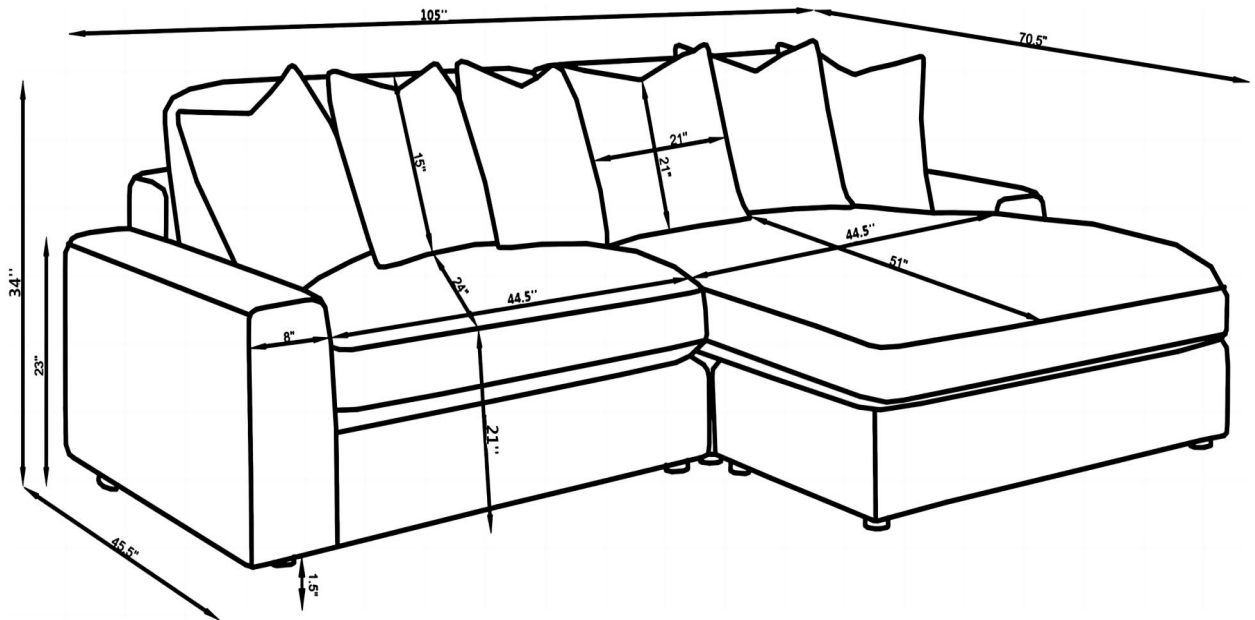
COMPLETE

OPTION1

OPTION2



ASSEMBLY INSTRUCTIONS



Note : Dimension tolerance $\pm 5\%$



ASSEMBLY INSTRUCTIONS



Fine Furniture for every stage of life

ARMLESS CHAIR

ASSEMBLY INSTRUCTIONS

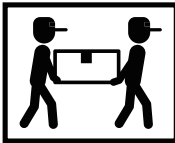
ASSEMBLY TIPS:

1. Remove hardware from box and sort by size.
2. Please check to see that all hardware and parts are present prior to start of assembly.
3. Please follow attached instructions in the same sequence as numbered to assure fast & easy assembly.



WARNING!


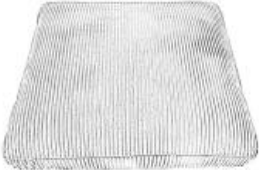
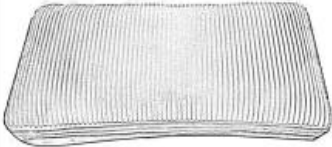

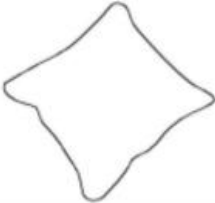
1. Don't attempt to repair or modify parts that are broken or defective. Please contact the store immediately.
2. This product is for home use only and not intended for commercial establishments.



ASSEMBLY TIME

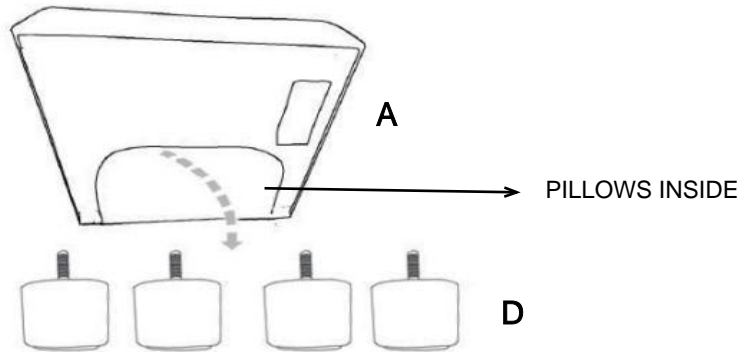
5 MINUTES

PARTS IDENTIFICATION

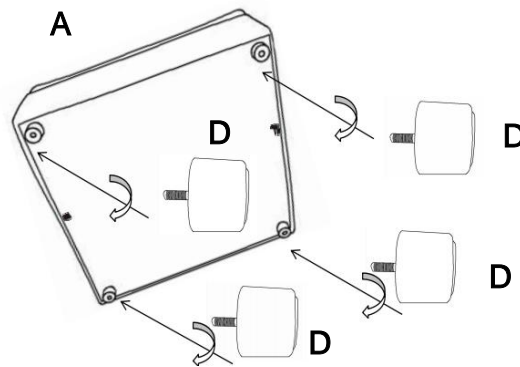
	PART NAME	FIGURE	QUANTITY
A	ARMLESS CHAIR BASE		1PC
B	ARMLESS CHAIR SEAT CUSHION		1PC
C	ARMLESS CHAIR BACK CUSHION		1PC
D	LEG		4PCS
E	PILLOW		2PCS

ASSEMBLY INSTRUCTIONS

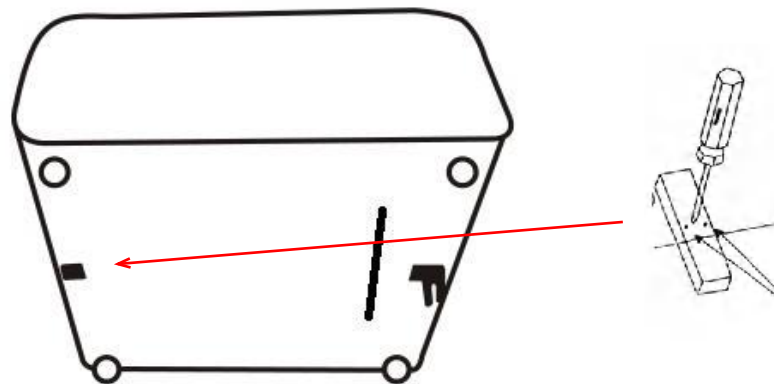
STEP 1 Turn over the item and take out the legs from zippered pouch



STEP 2 Install the legs as pictures show

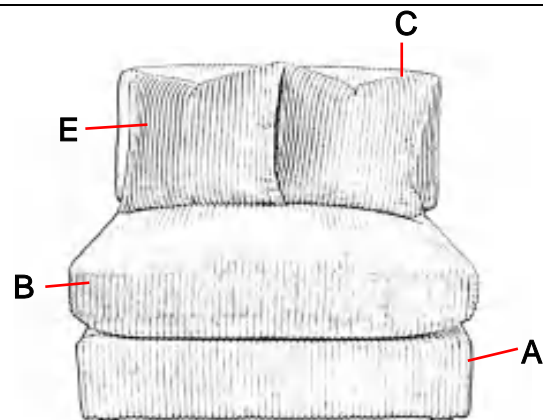


STEP 3 Please remove the wood block with screwdriver, do not use a hammer



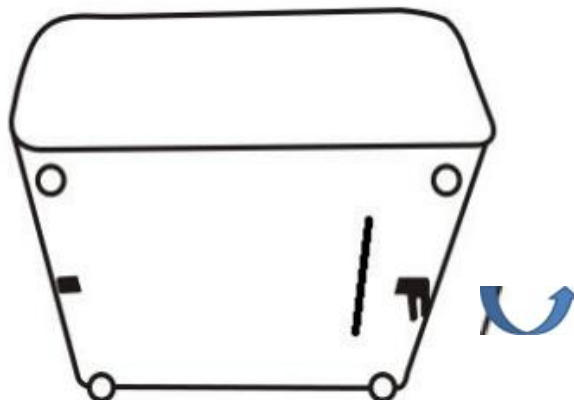
STEP 4

COMPLETE

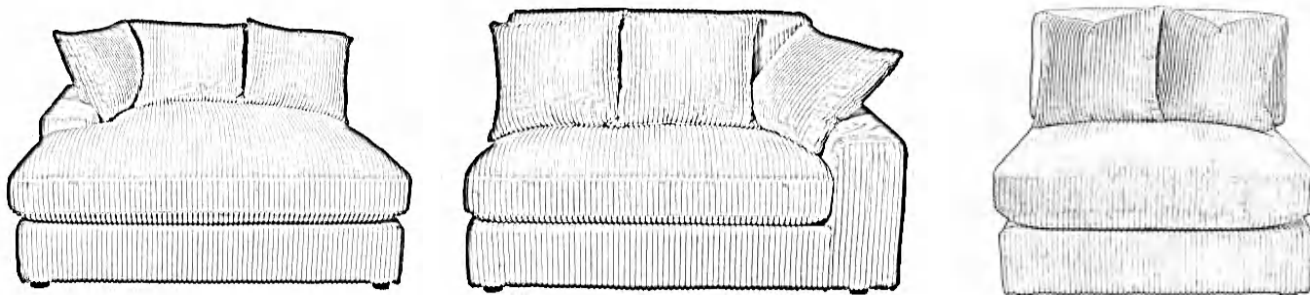


ASSEMBLY INSTRUCTIONS

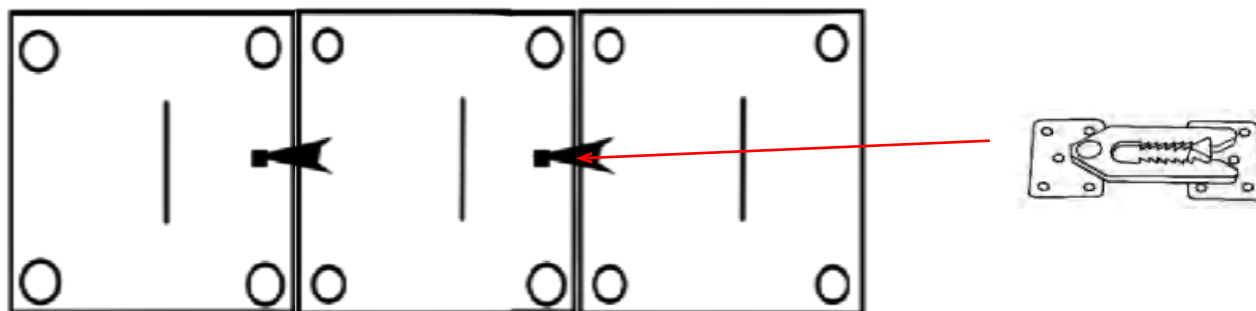
STEP 5 Rotate the metal clips



STEP 6 Put the chaise and loveseat closer



STEP 7 Insert the metal clips to connect other units as pictures show

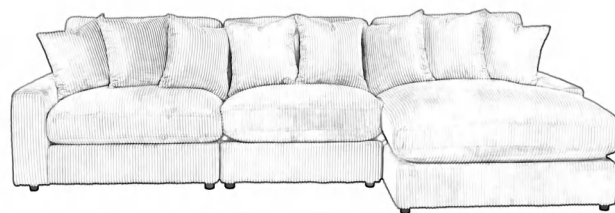
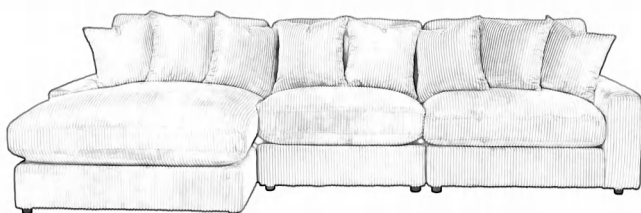


STEP 8

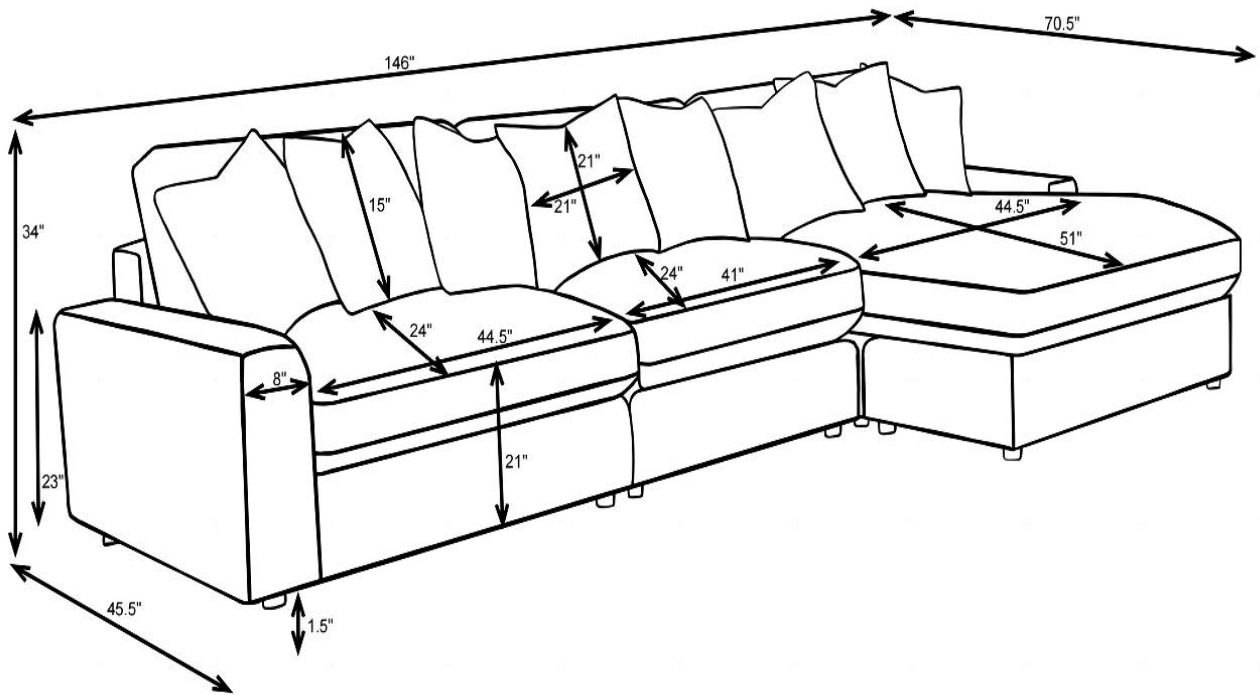
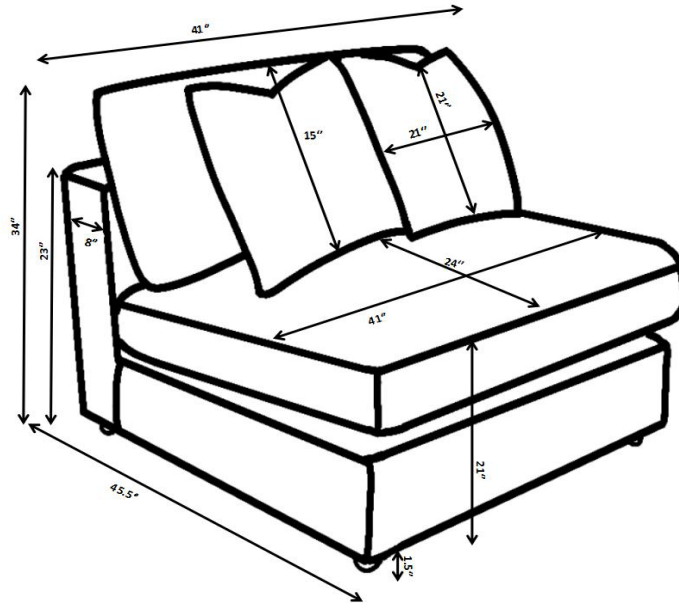
COMPLETE

OPTION1

OPTION2



ASSEMBLY INSTRUCTIONS



Note : Dimension tolerance $\pm 5\%$

