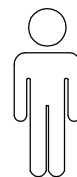
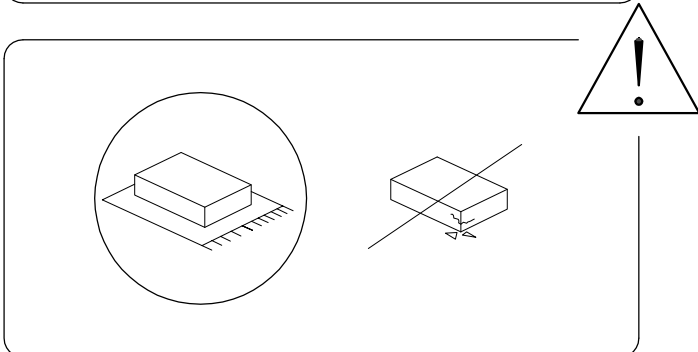
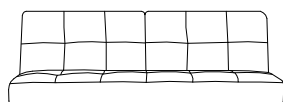


15'



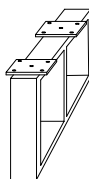
1

A



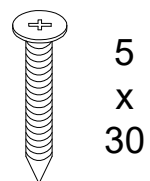
x 1

B



x 2

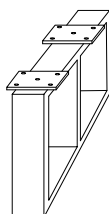
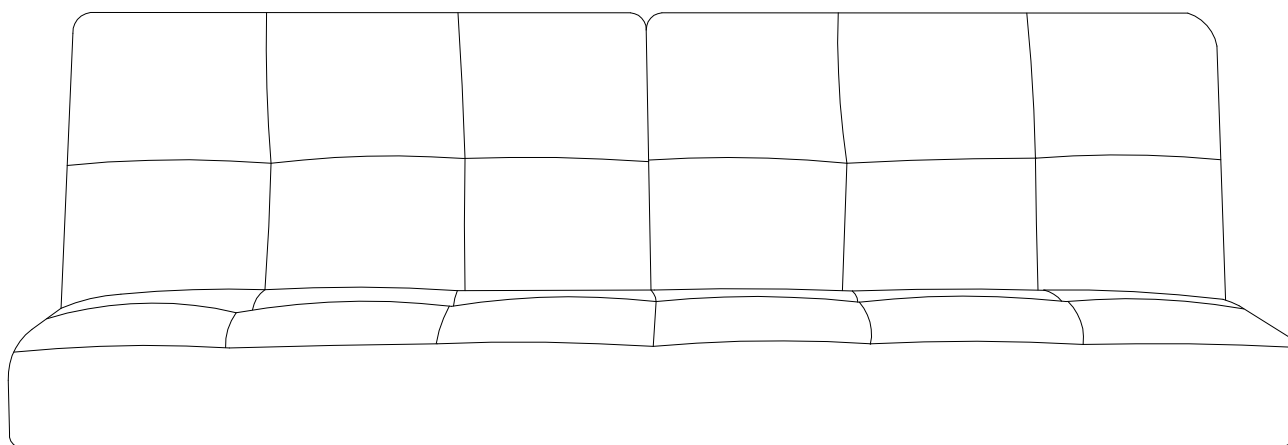
C



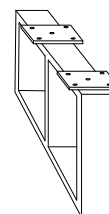
5  
x  
30

x 16

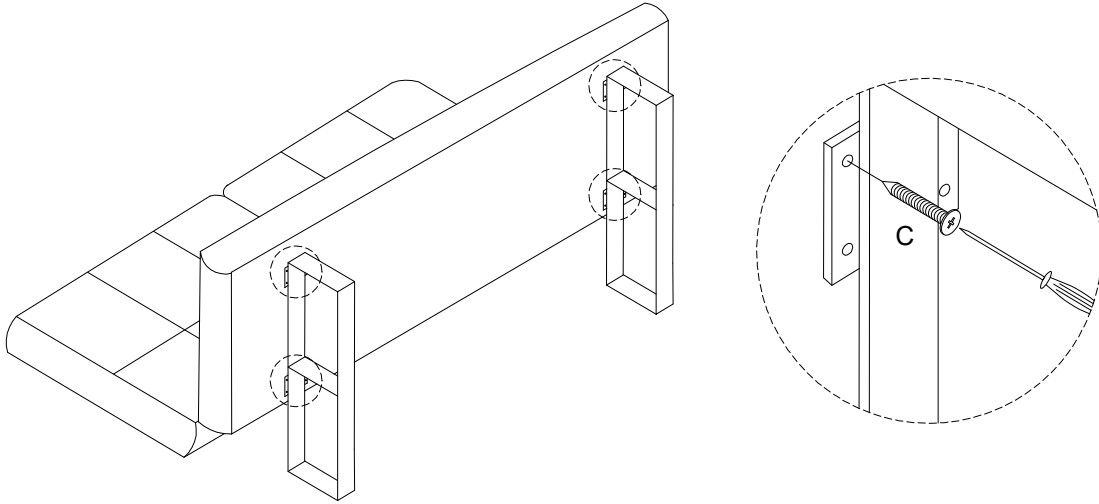
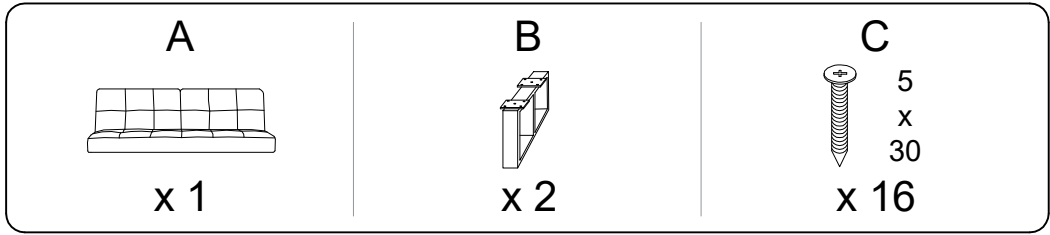
A



B x 2



1



2

