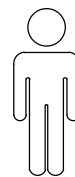
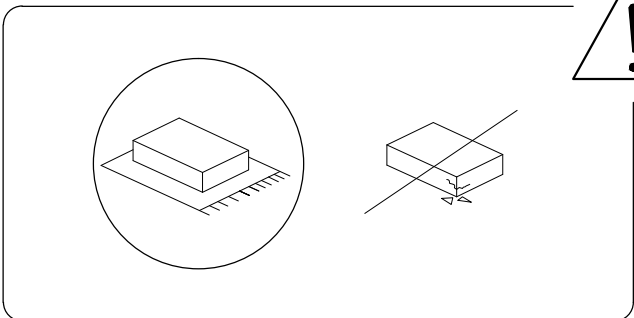
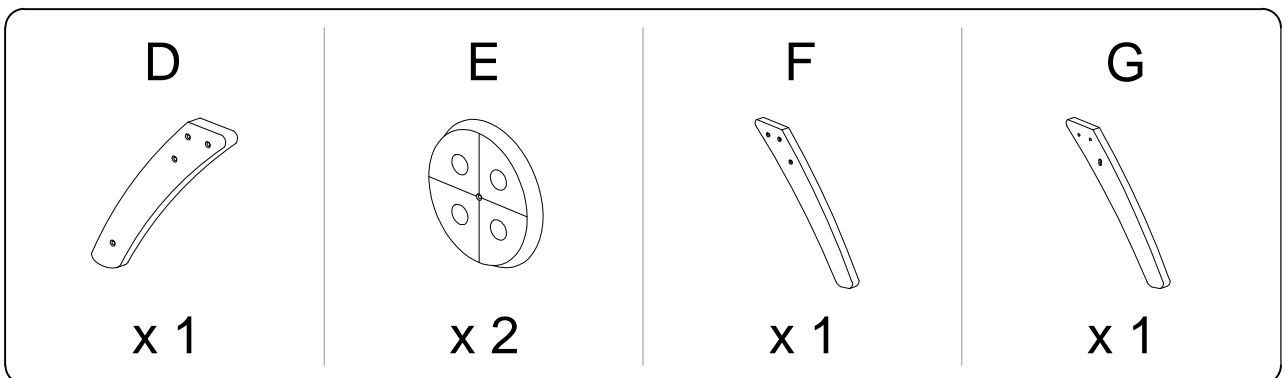
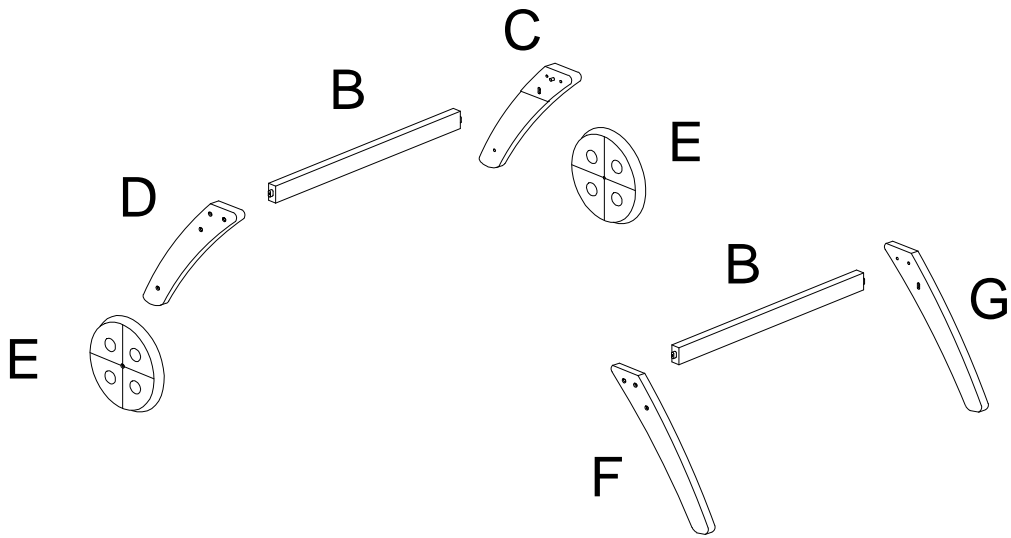
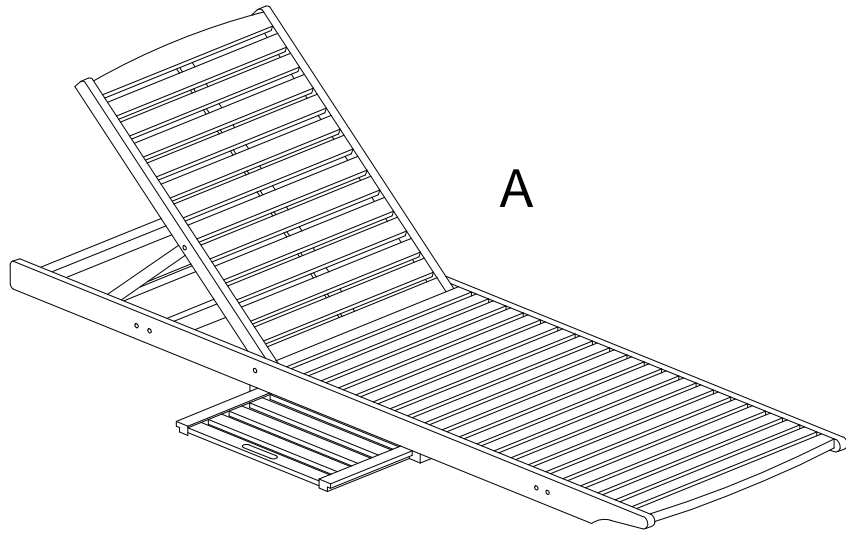
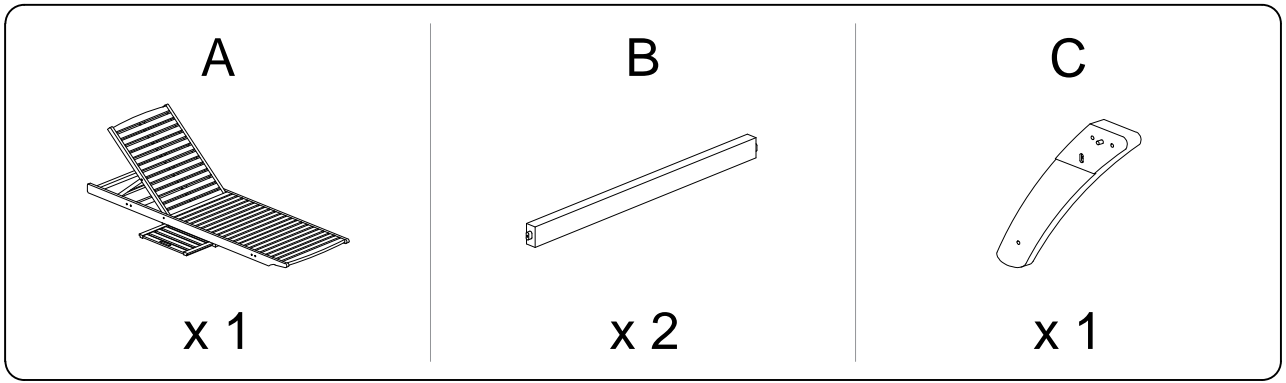


30'

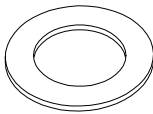


1

1/5

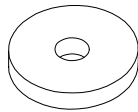


H



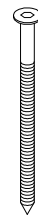
x 2

I



x 2

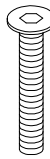
J



M7
x
60

x 4

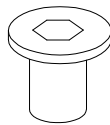
K



M6
x
35

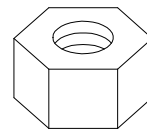
x 8

L



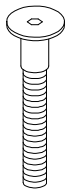
x 8

M



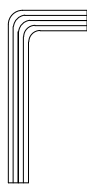
x 2

N



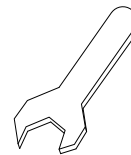
x 2

O



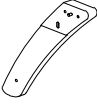
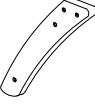
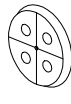
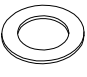
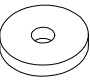
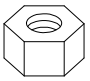
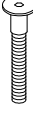
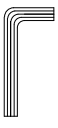
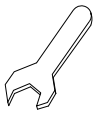
x 2

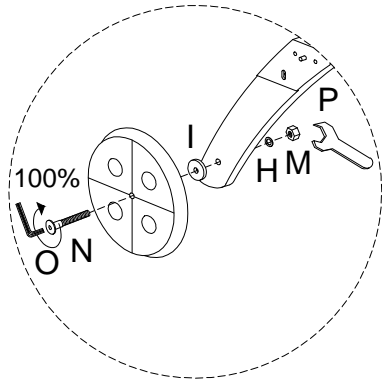
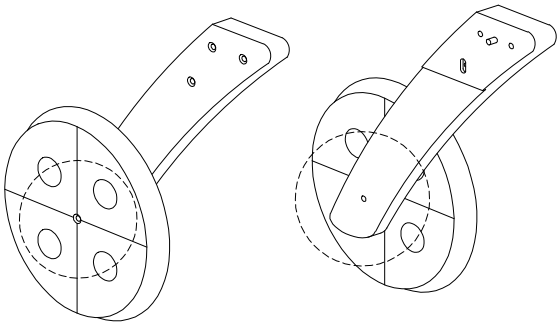
P



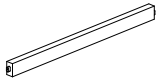
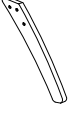
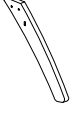

x 1

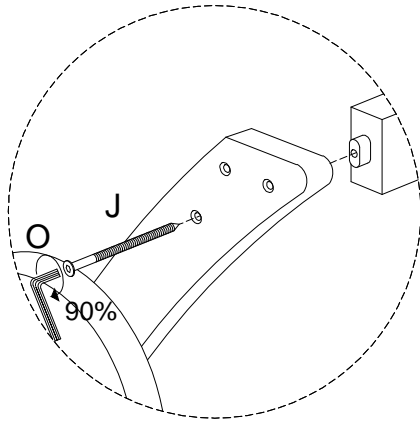
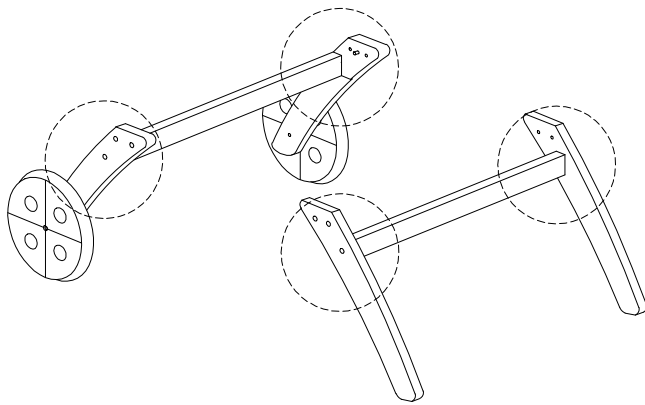
1

C  x 1	D  x 1	E  x 2	H  x 2	
I  x 2	M  x 2	N  x 2	O  x 1	P  x 1

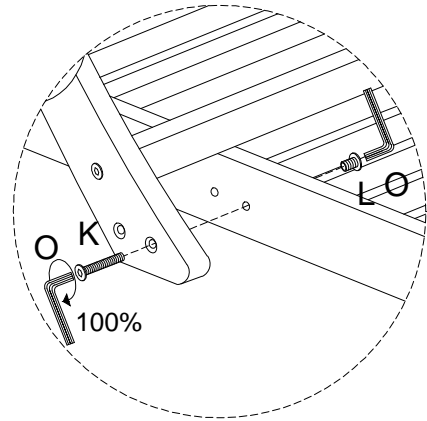
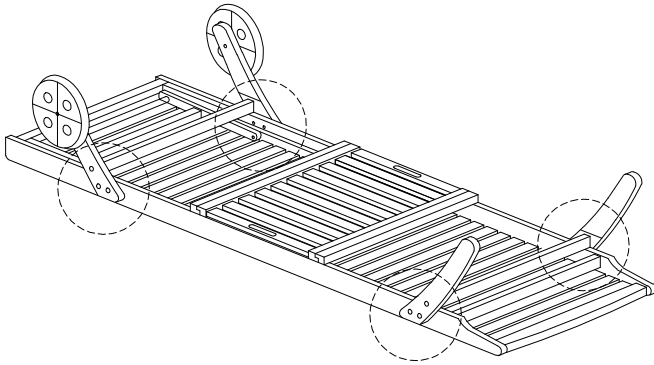
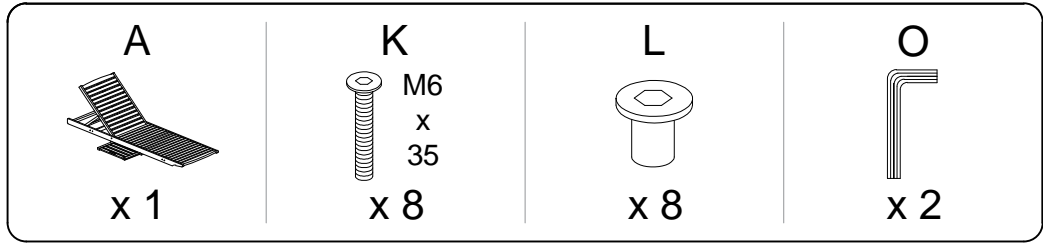


2

B  x 2	F  x 1	G  x 1	J M7 x 60 x 4	O  x 1
--	--	--	----------------------------------	--



3



4

